



US00D610999S

(12) **United States Design Patent**  
**Purdy et al.**

(10) **Patent No.:** **US D610,999 S**  
(45) **Date of Patent:** **\*\* Mar. 2, 2010**

(54) **COAXIAL CABLE CONNECTOR**

2008/0064259 A1\* 3/2008 Amidon ..... 439/578  
2008/0171467 A1\* 7/2008 Amidon ..... 439/578

(75) Inventors: **Eric Purdy**, Constantia, NY (US);  
**Raymond Palinkas**, Canastota, NY (US)

\* cited by examiner

(73) Assignee: **John Mezzalingua Assoc., Inc.**, East  
Syracuse, NY (US)

*Primary Examiner*—Daniel D Bui  
*Assistant Examiner*—Thomas J Johannes  
(74) *Attorney, Agent, or Firm*—Melissa Bitting

(\*\*) Term: **14 Years**

(57) **CLAIM**

(21) Appl. No.: **29/339,597**

We claim the ornamental design for a coaxial cable connector,  
as shown and described.

(22) Filed: **Jul. 2, 2009**

(51) **LOC (9) Cl.** ..... **13-03**

**DESCRIPTION**

(52) **U.S. Cl.** ..... **D13/151**

(58) **Field of Classification Search** ..... D13/133,  
D13/149, 151, 154, 184, 199; 439/13, 20,  
439/22, 133, 135, 246, 306, 321, 322, 480,  
439/476.1, 578, 583, 584, 585, 668

FIG. 1 is a perspective view of a new coaxial cable connector;  
FIG. 2 is a side elevation view thereof, with the opposite side  
elevation view being a mirror image thereto;

See application file for complete search history.

FIG. 3 is a top plan view thereof; and,

FIG. 4 is a bottom plan view thereof.

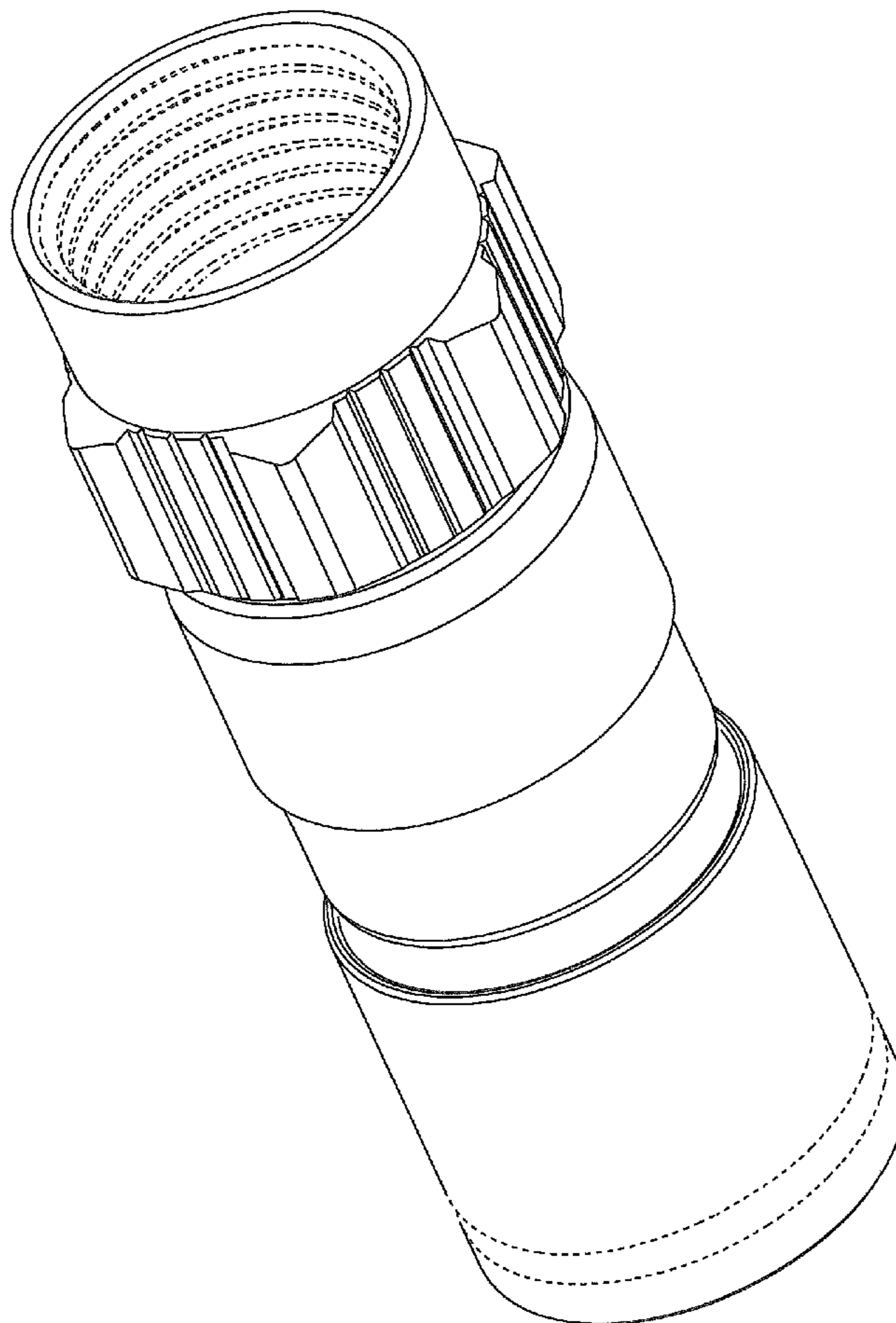
(56) **References Cited**

The broken line portion of the figure drawings is included to  
show unclaimed subject matter only and forms no part of the  
claimed design.

**U.S. PATENT DOCUMENTS**

D504,402 S \* 4/2005 Montena ..... D13/154  
D513,736 S \* 1/2006 Fox ..... D13/151

**1 Claim, 4 Drawing Sheets**



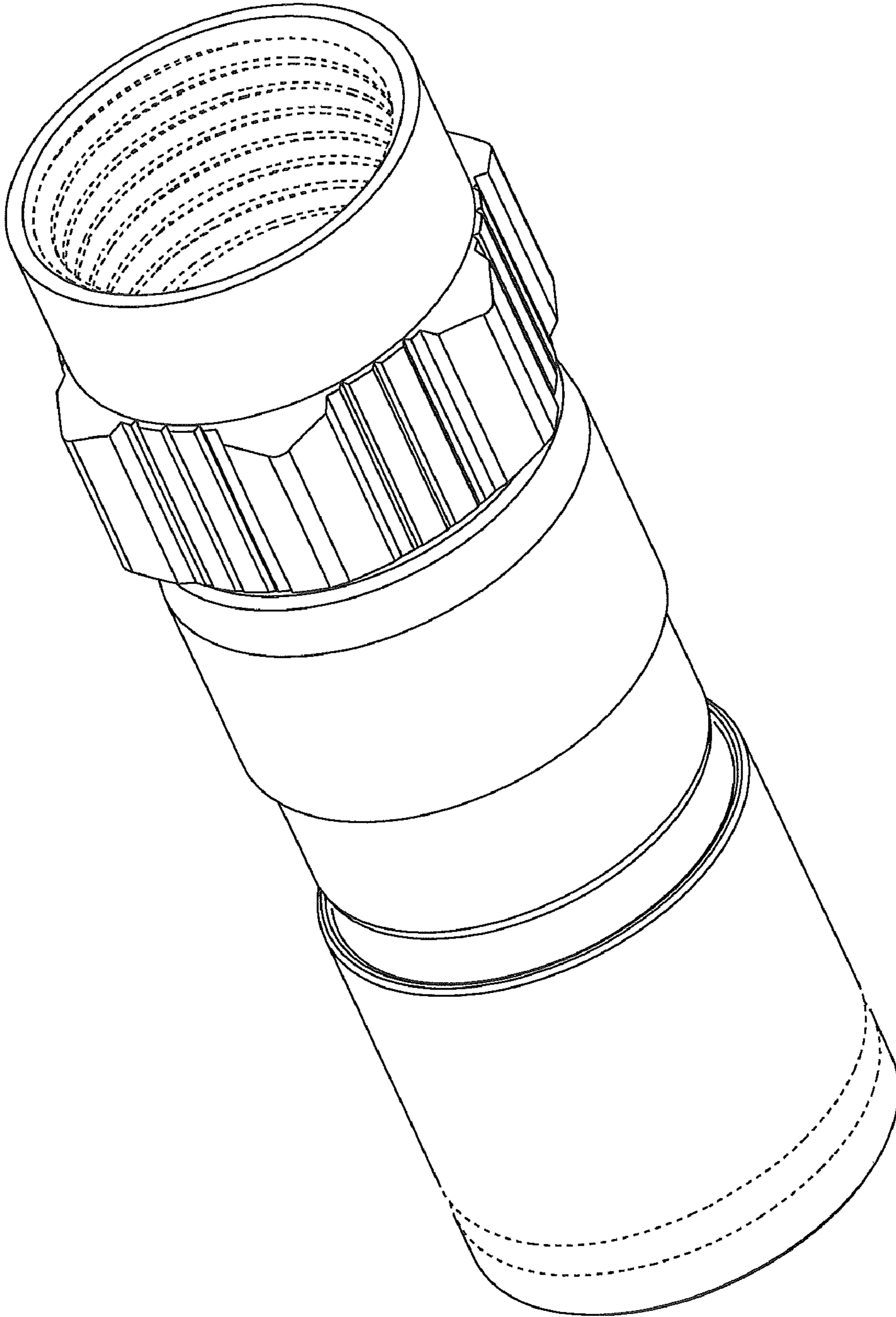


FIG.1

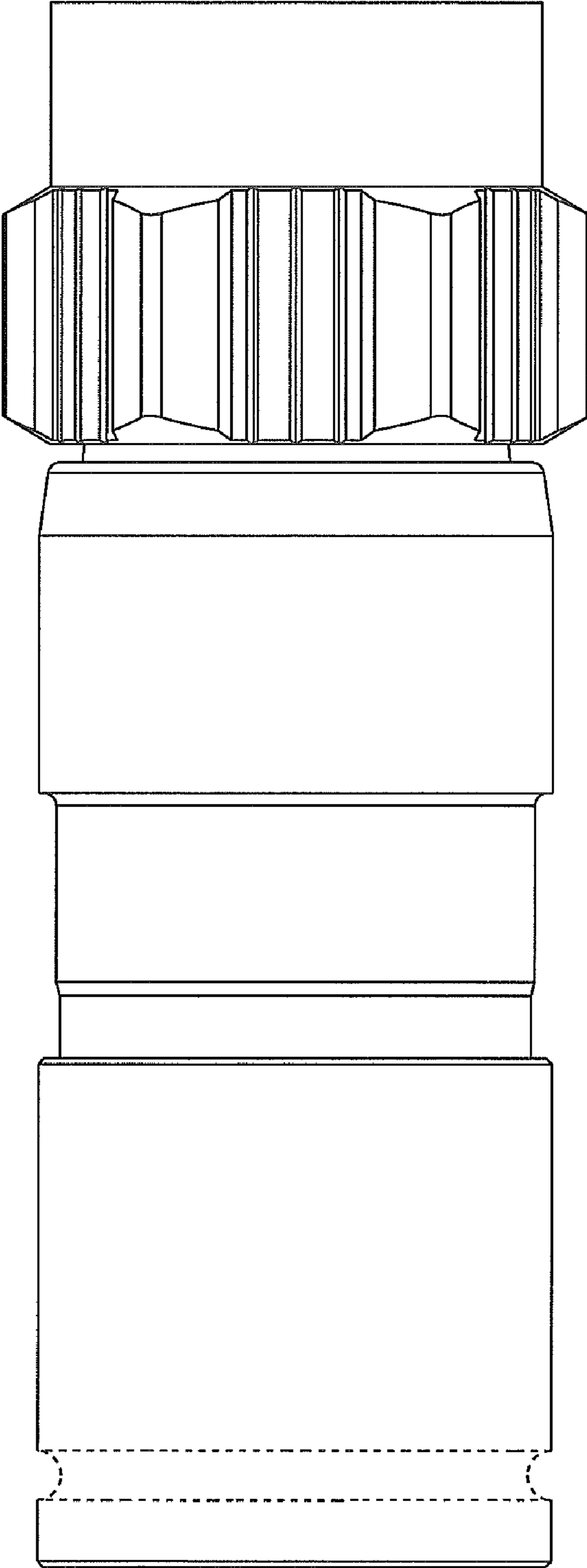


FIG.2

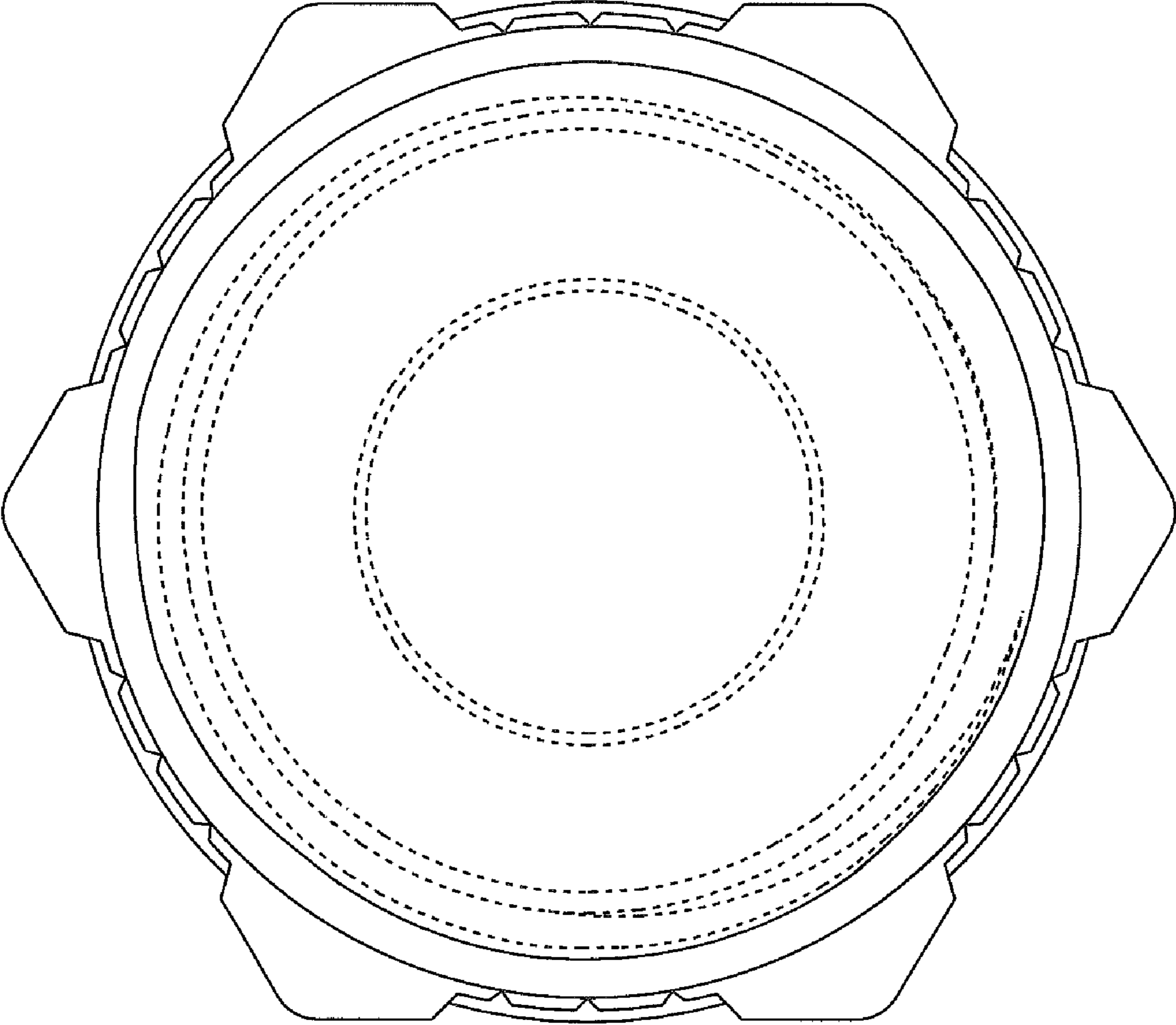


FIG.3

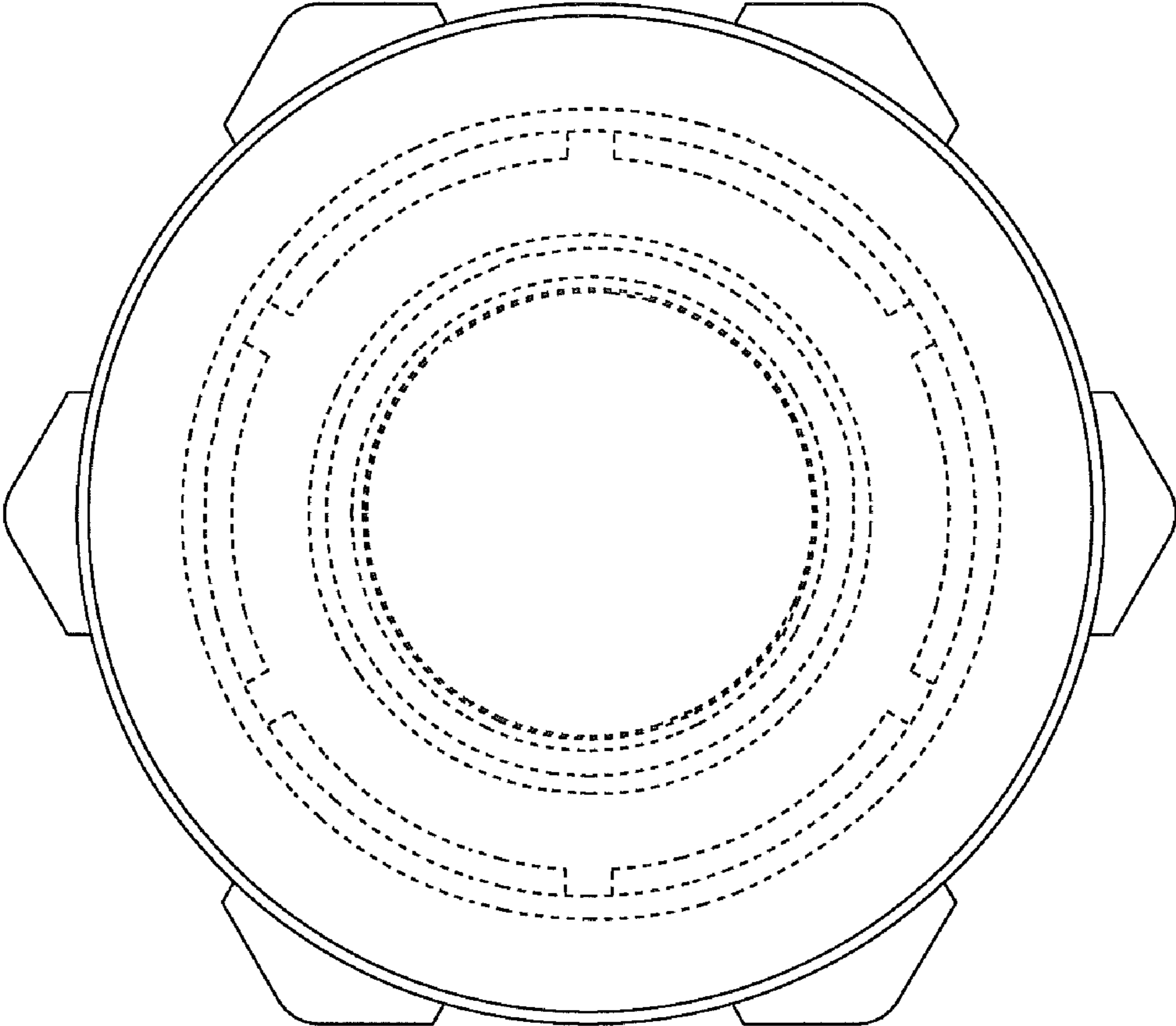


FIG.4