



US00D610998S

(12) **United States Design Patent**
Purdy et al.

(10) **Patent No.:** **US D610,998 S**
(45) **Date of Patent:** **** Mar. 2, 2010**

(54) **COAXIAL CABLE CONNECTOR**

2008/0064259 A1* 3/2008 Amidon 439/578
2008/0171467 A1* 7/2008 Amidon 439/578

(75) Inventors: **Eric Purdy**, Constantia, NY (US);
Raymond Palinkas, Canastota, NY (US)

* cited by examiner

(73) Assignee: **John Mezzalingua Assoc., Inc.**, East
Syracuse, NY (US)

Primary Examiner—Daniel D Bui
Assistant Examiner—Thomas J Johannes
(74) *Attorney, Agent, or Firm*—Melissa Bitting

(**) Term: **14 Years**

(57) **CLAIM**

(21) Appl. No.: **29/339,595**

We claim the ornamental design for a coaxial cable connector,
as shown and described.

(22) Filed: **Jul. 2, 2009**

(51) **LOC (9) Cl.** **13-03**

(52) **U.S. Cl.** **D13/151**

(58) **Field of Classification Search** D13/133,
D13/149, 151, 154, 184, 199; 439/13, 20,
439/22, 133, 135, 246, 306, 321, 322, 480,
439/476.1, 578, 583, 584, 585, 668

See application file for complete search history.

DESCRIPTION

FIG. 1 is a perspective view of a new coaxial cable connector;
FIG. 2 is a side elevation view thereof, with the opposite side
elevation view being a mirror image thereto;

FIG. 3 is a top plan view thereof; and,

FIG. 4 is a bottom plan view thereof.

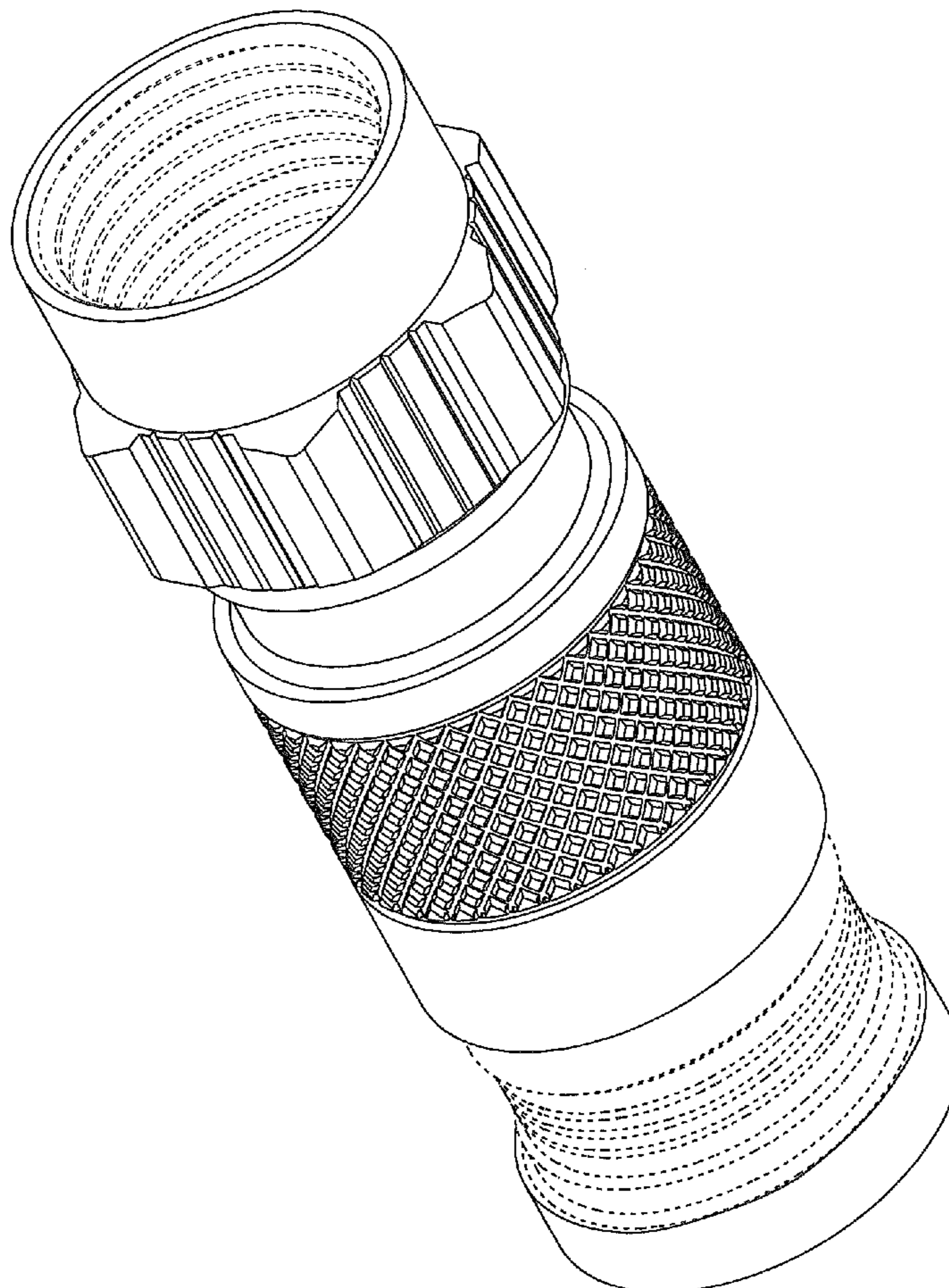
The broken line portion of the figure drawings is included to
show unclaimed subject matter only and forms no part of the
claimed design.

(56) **References Cited**

U.S. PATENT DOCUMENTS

D504,402 S * 4/2005 Montena D13/154
D513,736 S * 1/2006 Fox D13/151

1 Claim, 4 Drawing Sheets



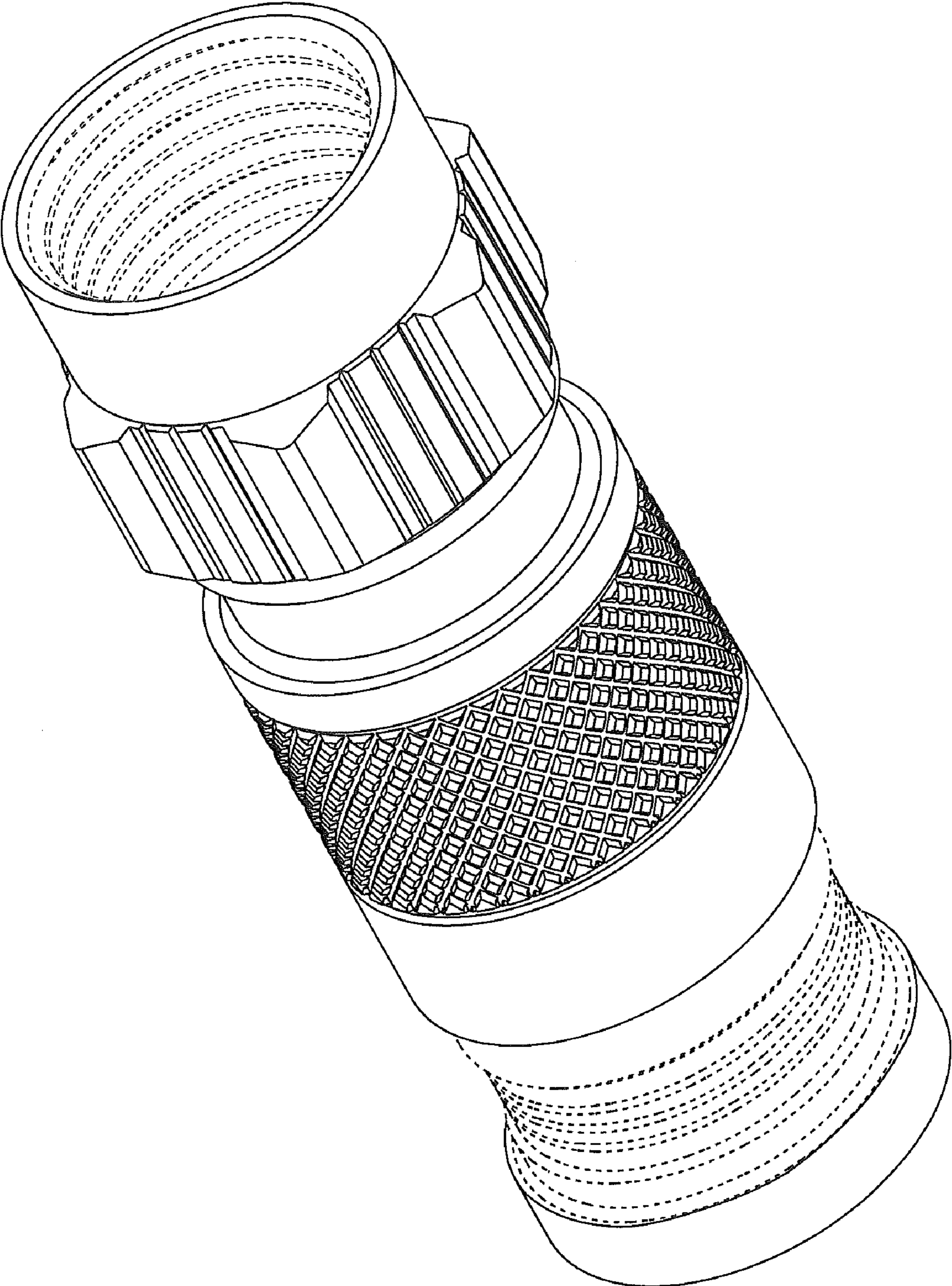


FIG. 1

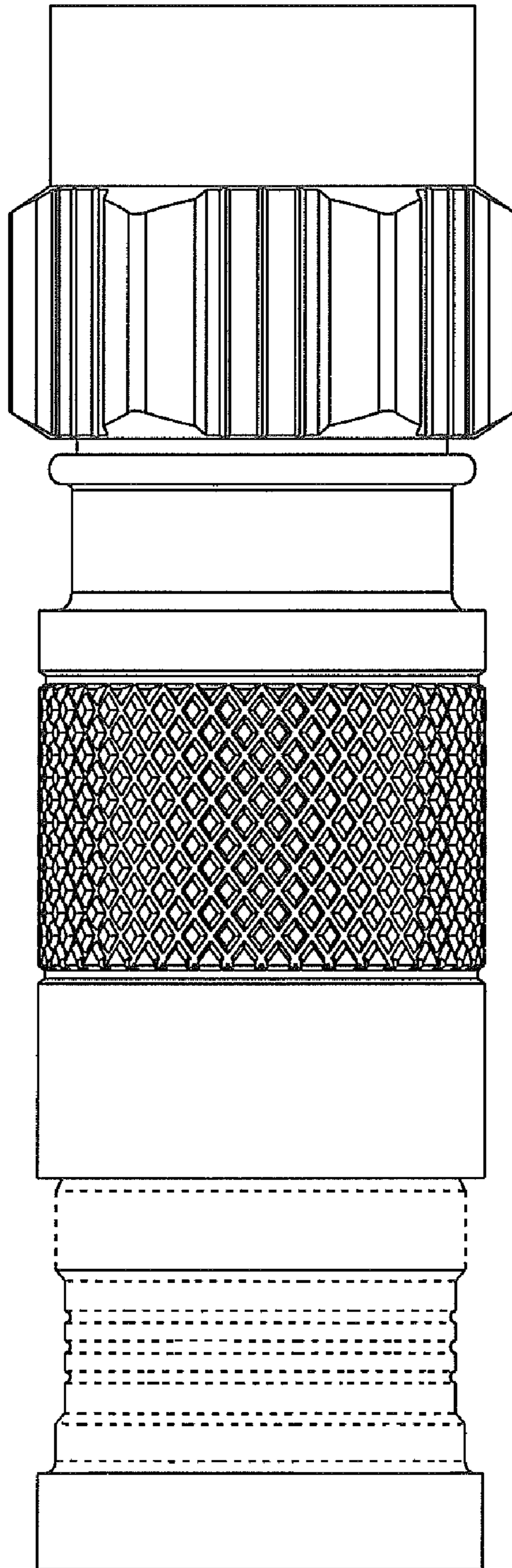


FIG.2

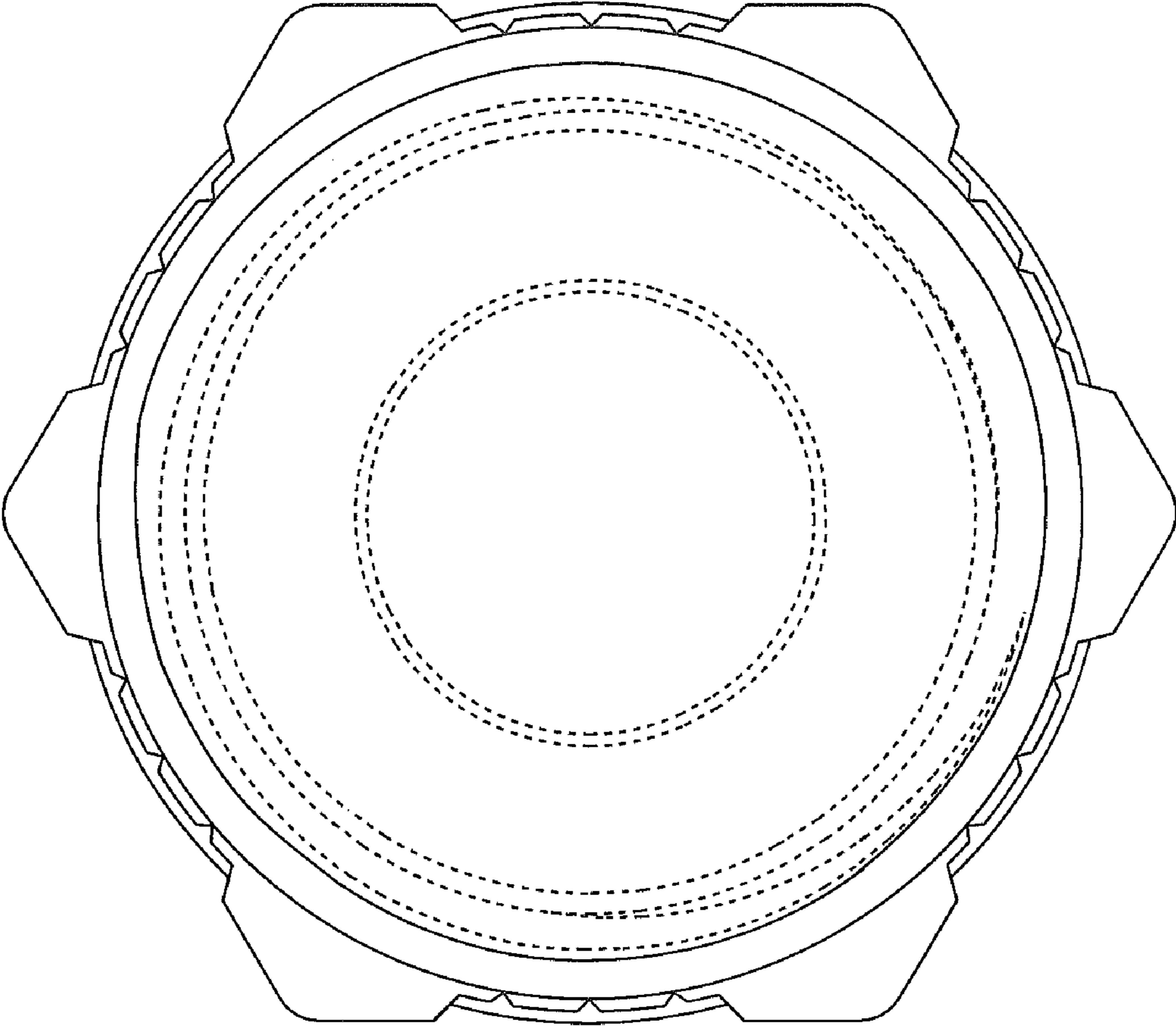


FIG.3

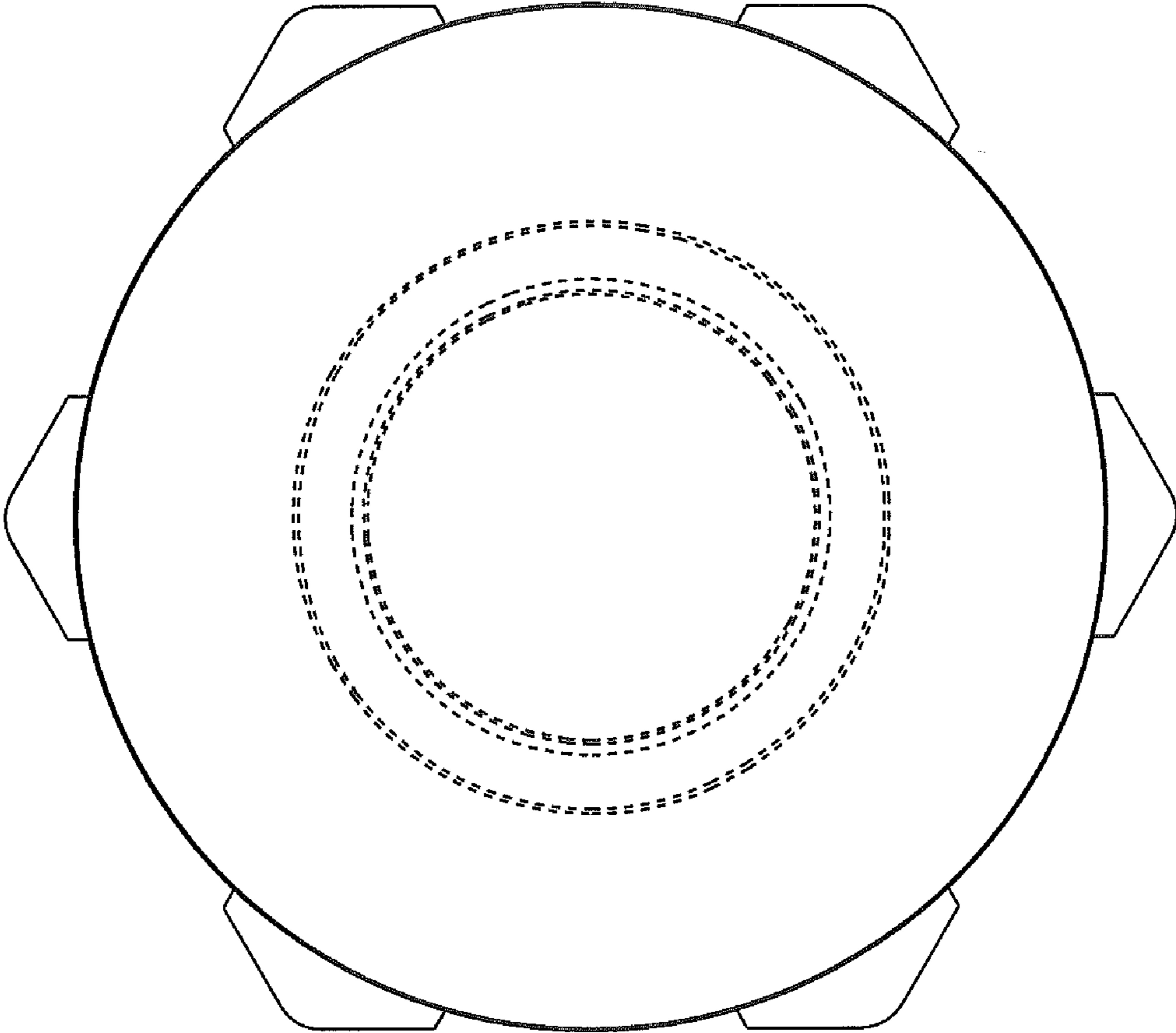


FIG.4