



US00D610996S

(12) **United States Design Patent**
Sakamoto

(10) **Patent No.:** **US D610,996 S**
(45) **Date of Patent:** **** Mar. 2, 2010**

(54) **CONNECTOR HOUSING**

(75) Inventor: **Tetsuma Sakamoto**, Tokyo (JP)

(73) Assignee: **Tyco Electronics AMP K.K.**,
Kanagawa-ken (JP)

(**) Term: **14 Years**

(21) Appl. No.: **29/336,628**

(22) Filed: **May 6, 2009**

(30) **Foreign Application Priority Data**

Nov. 6, 2008 (JP) 2008-028504

(51) **LOC (9) Cl.** **13-03**

(52) **U.S. Cl.** **D13/147**

(58) **Field of Classification Search** D13/133,
D13/146-147, 154, 184; 439/247-248, 350,
439/352, 354, 357, 540.1, 541.5, 607-610,
439/660, 677, 680, 682

See application file for complete search history.

(56) **References Cited**

U.S. PATENT DOCUMENTS

D235,552 S *	6/1975	Derr et al.	D13/146
D308,511 S *	6/1990	Makita et al.	D13/146
6,860,765 B1 *	3/2005	Spink, Jr.	439/680
D524,755 S *	7/2006	Kudo	D13/147
D560,613 S *	1/2008	McEvoy et al.	D13/147
D585,030 S *	1/2009	Kudo	D13/147
D585,831 S *	2/2009	Kudo	D13/147

D597,492 S *	8/2009	Sakamoto	D13/147
D597,956 S *	8/2009	Sakamoto	D13/147
D597,957 S *	8/2009	Sakamoto	D13/147
D597,958 S *	8/2009	Sakamoto	D13/147

* cited by examiner

Primary Examiner—Daniel D Bui

(74) *Attorney, Agent, or Firm*—Barley Snyder LLC

(57) **CLAIM**

The ornamental design for a connector housing, as shown and described.

DESCRIPTION

FIG. 1 is a front elevation view of a connector housing, showing my new design;

FIG. 2 is a top plan view thereof;

FIG. 3 is a bottom plan view thereof;

FIG. 4 is a rear elevation view thereof;

FIG. 5 is a left side elevation view thereof;

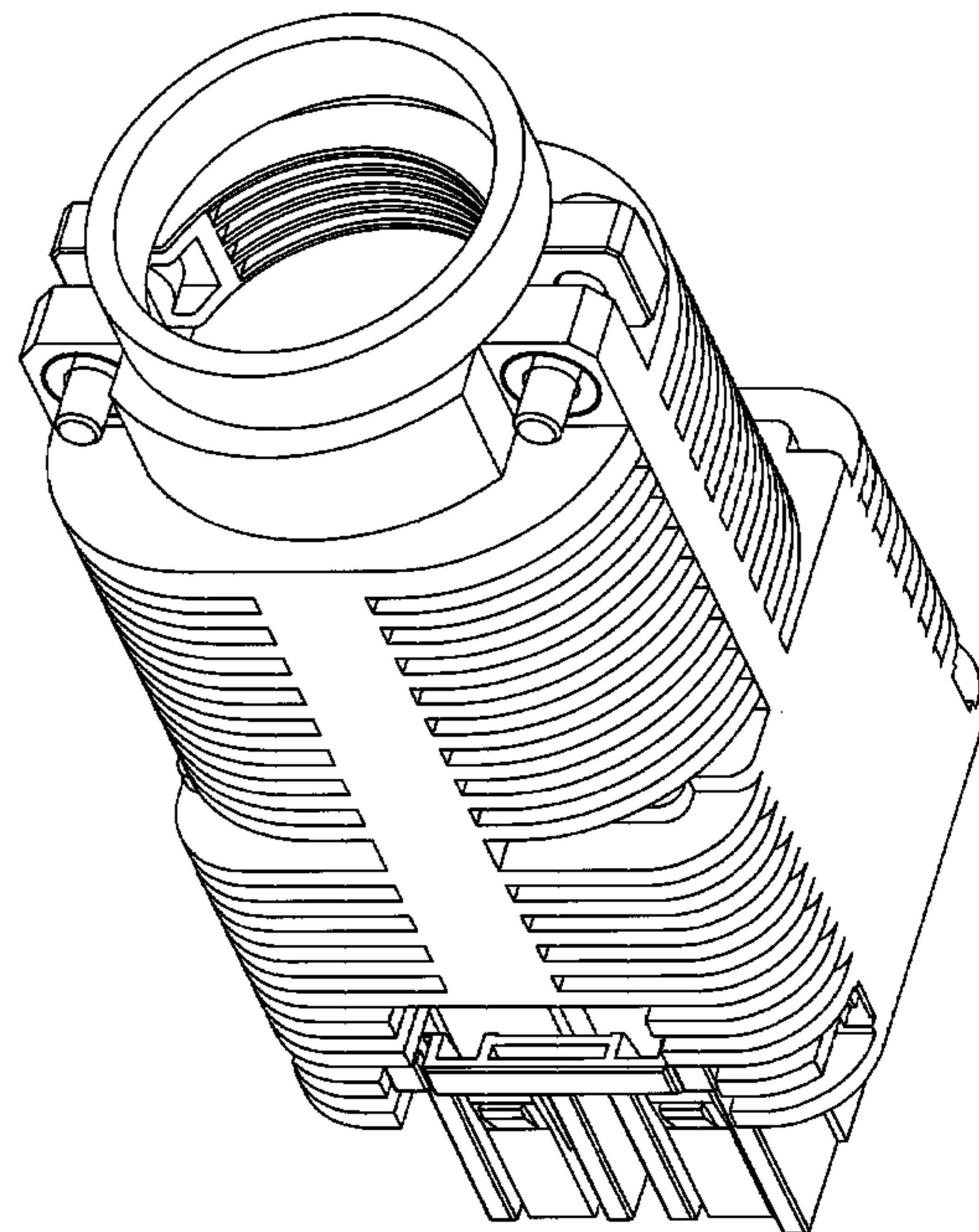
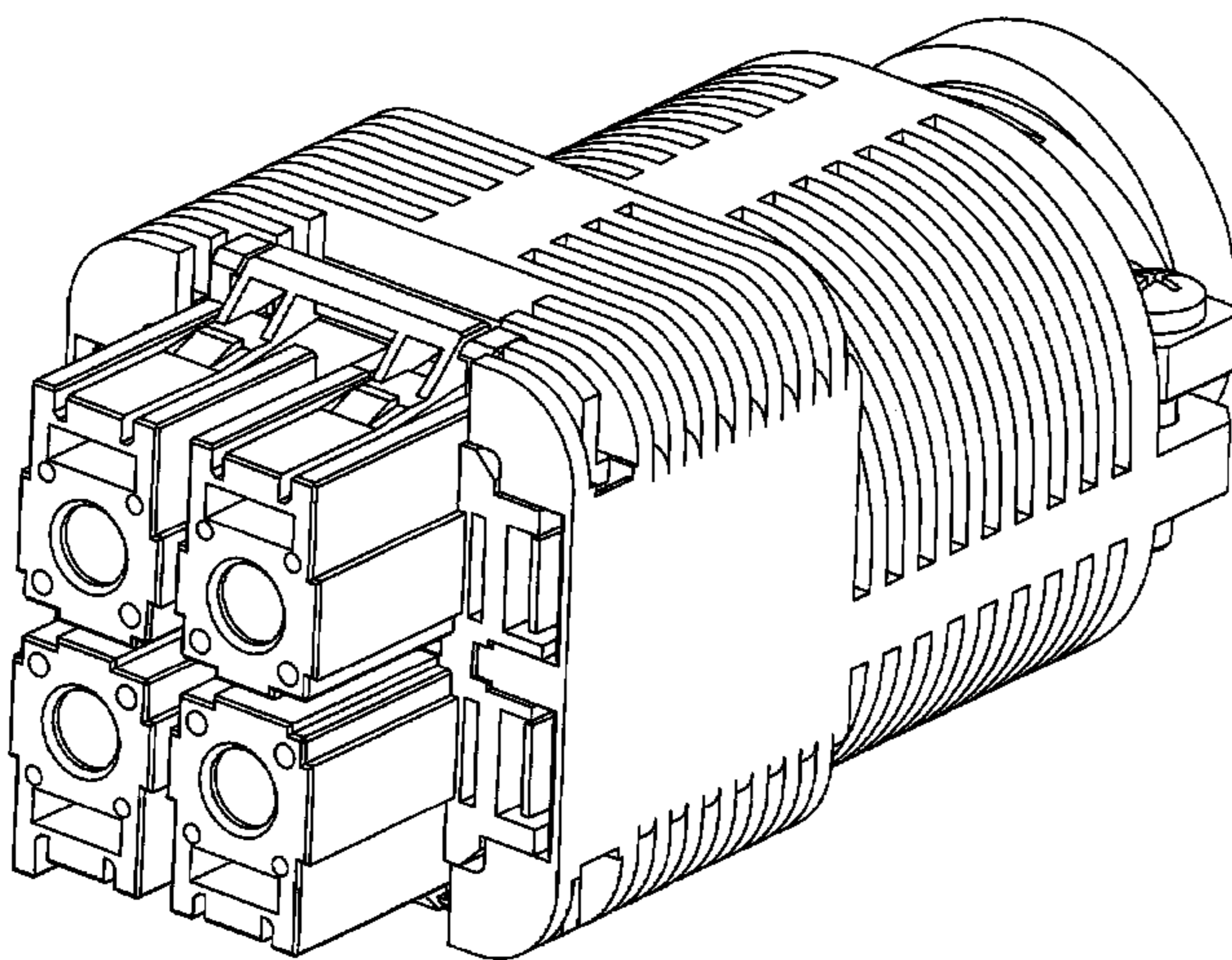
FIG. 6 is a right side elevation view thereof;

FIG. 7 is a front, top, and left side perspective view thereof; and,

FIG. 8 is a rear, bottom, and right side perspective view.

The broken lines of the internal elements of the connector in FIGS. 5 and 6 are included to show unclaimed subject matter only and form no part of the claimed design.

1 Claim, 8 Drawing Sheets



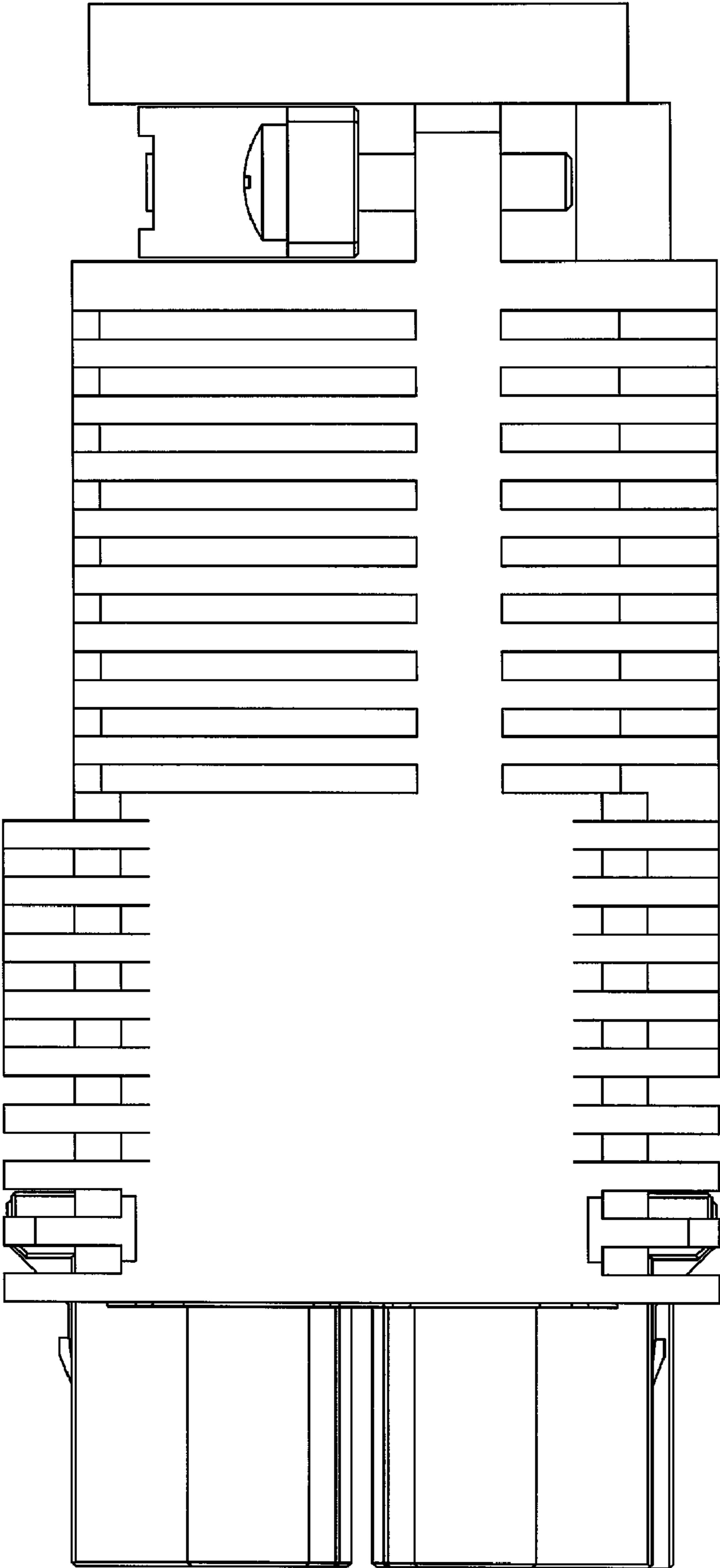


Fig. 1

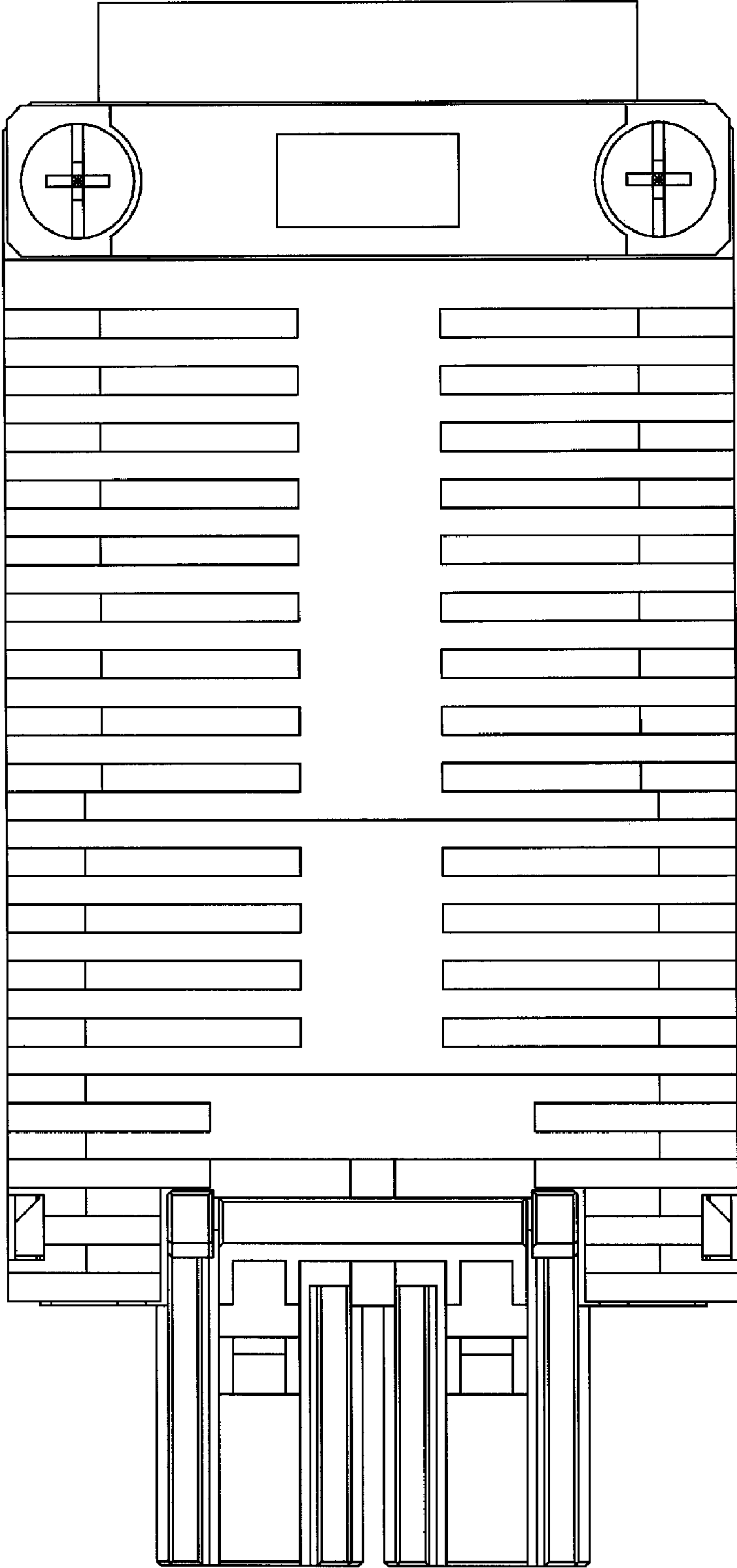


Fig. 2

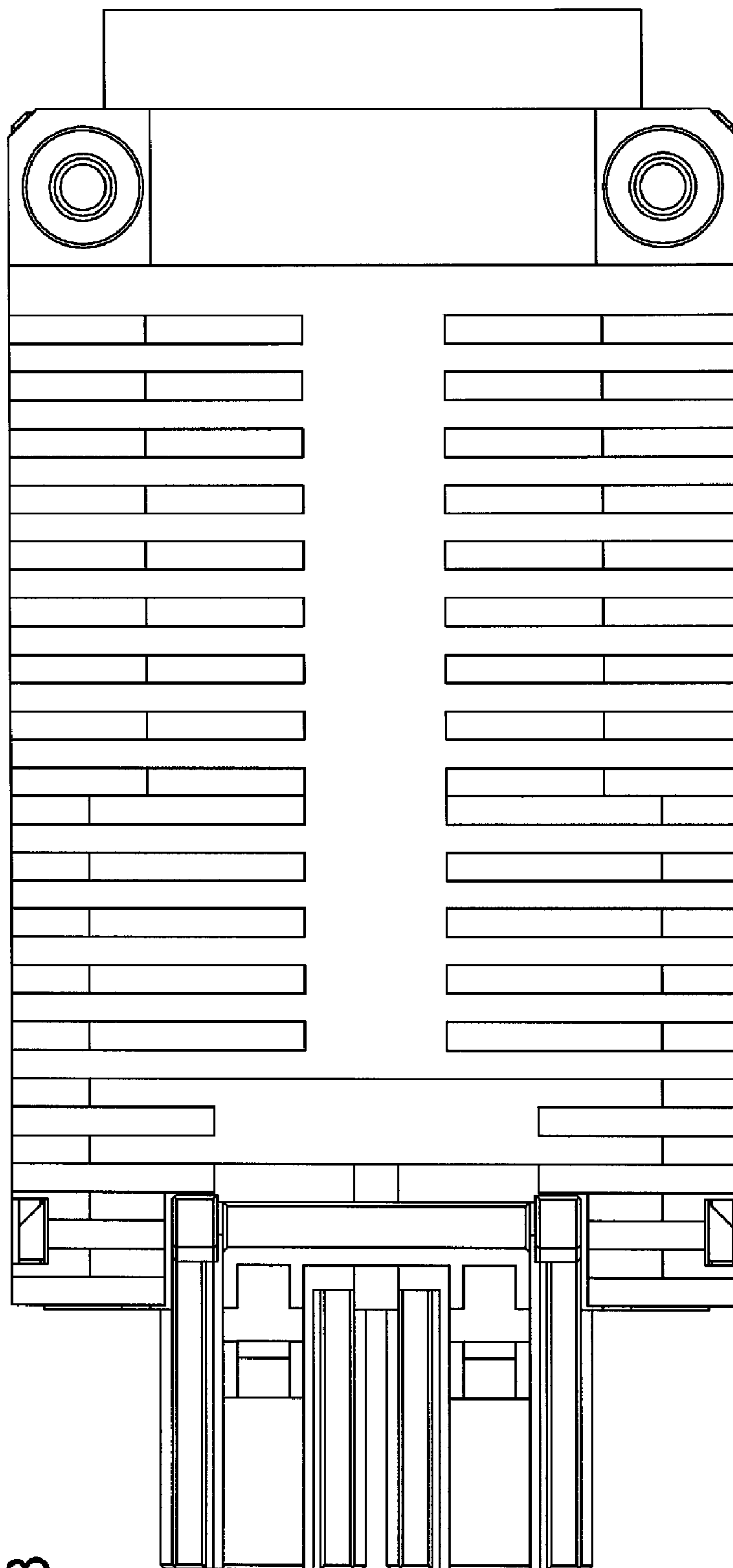


Fig. 3

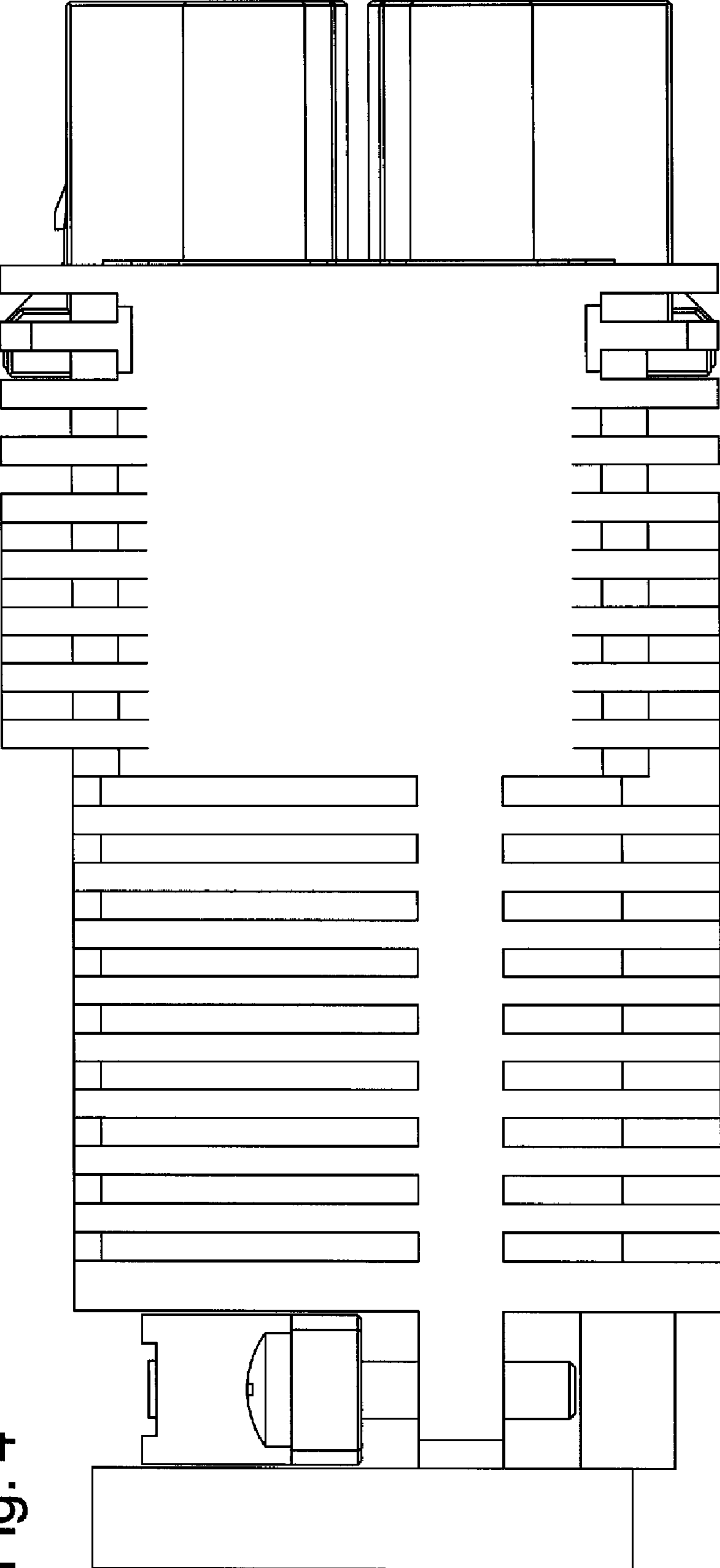


Fig. 4

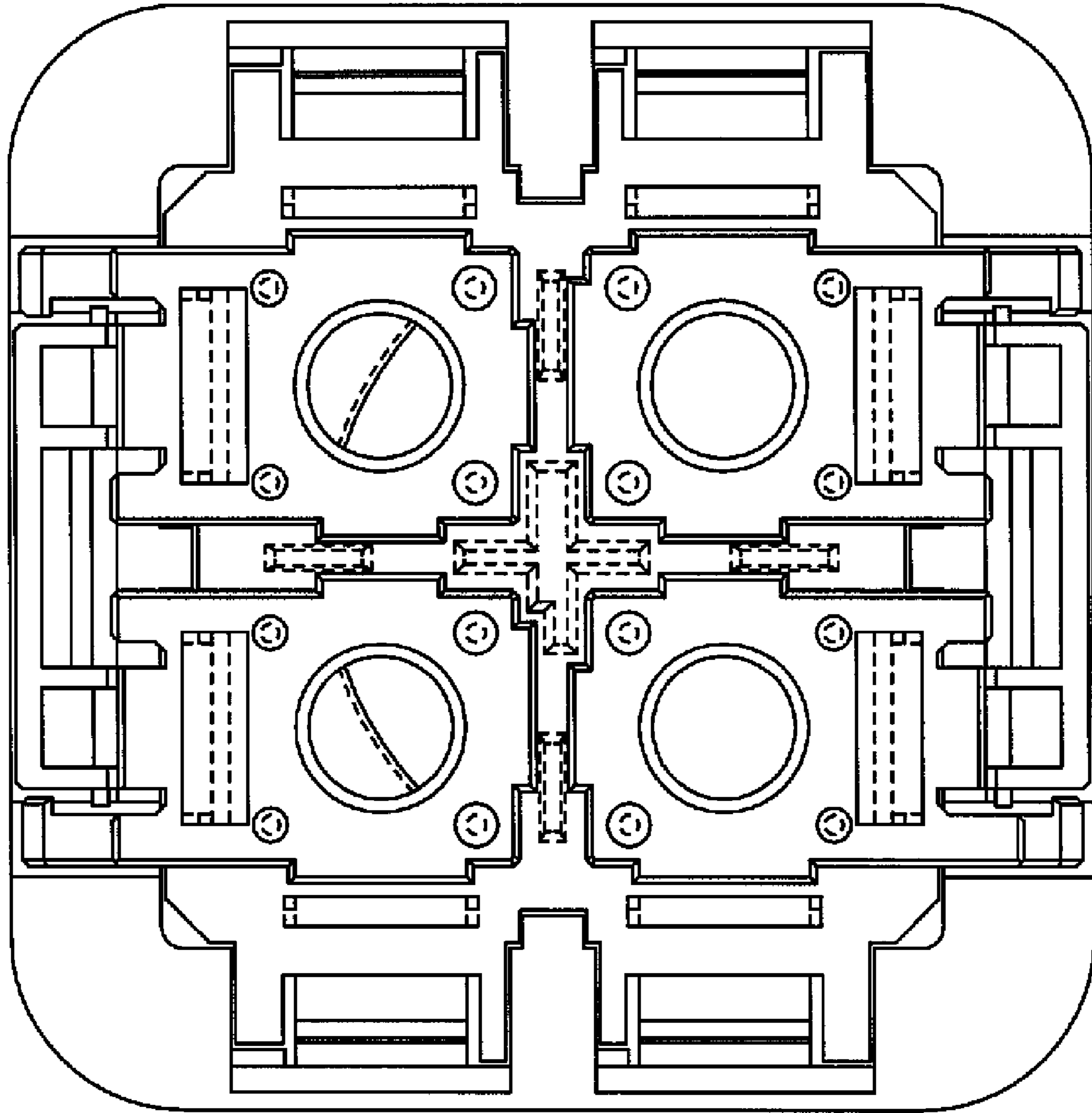


Fig. 5

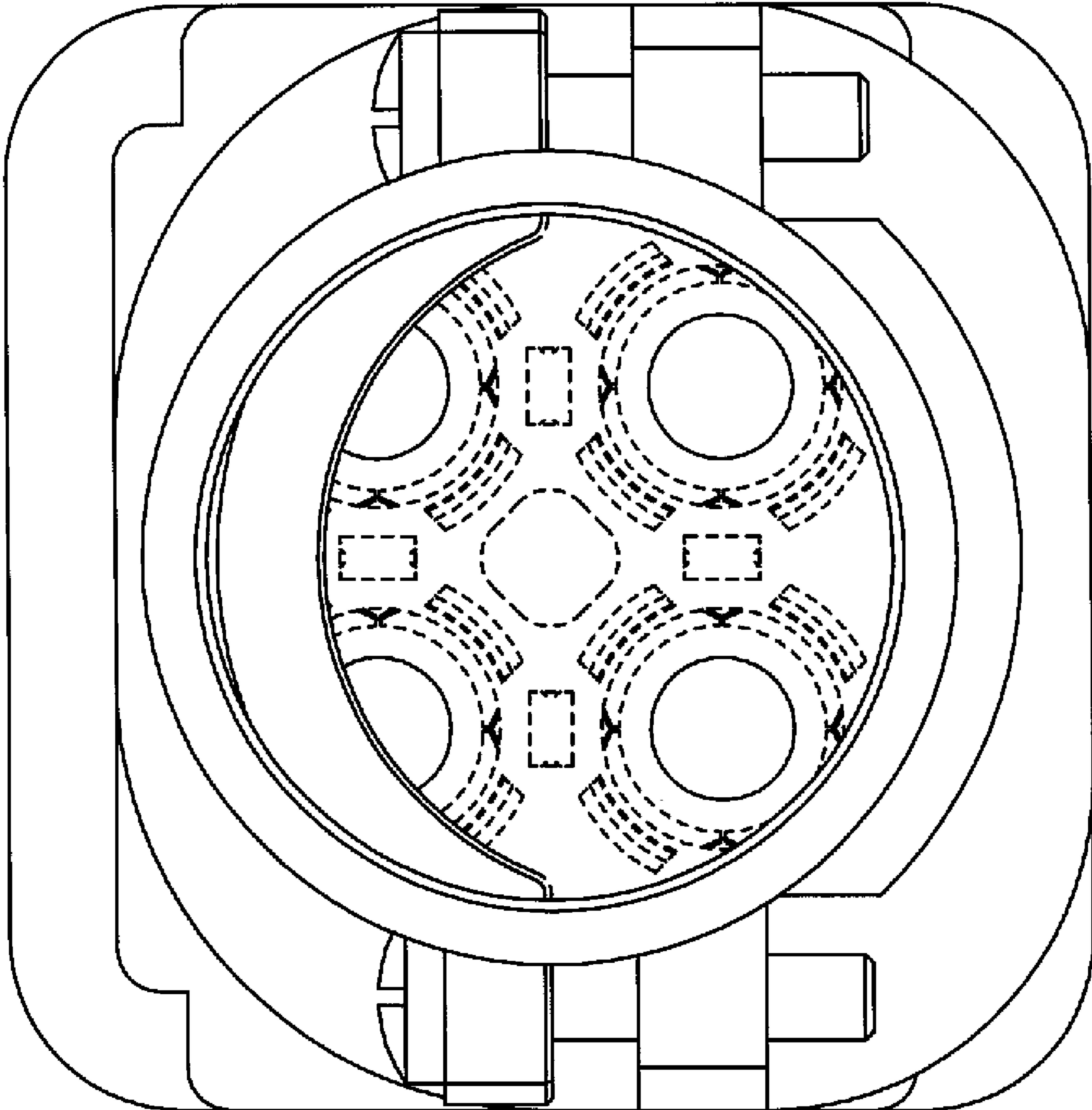


Fig. 6

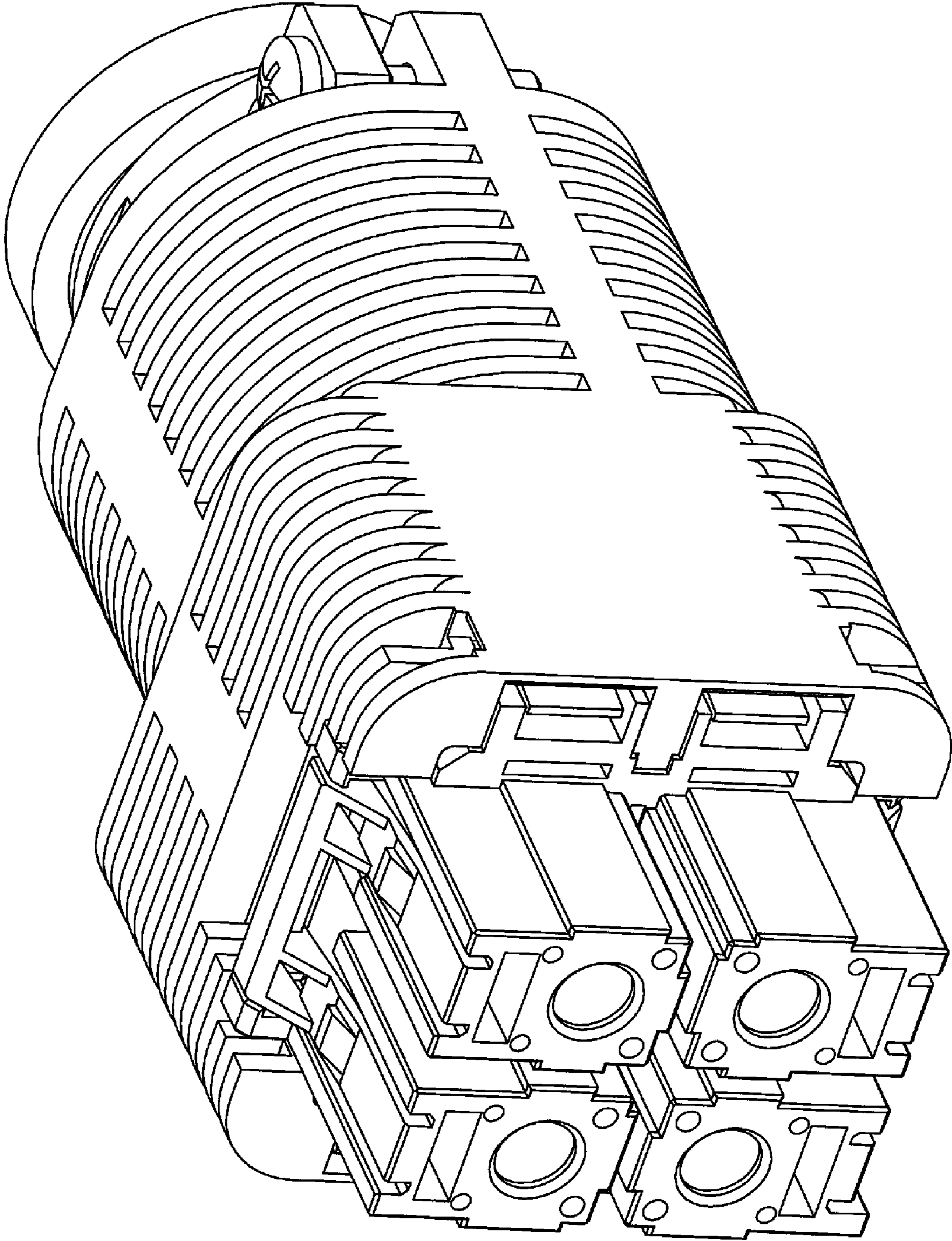


Fig. 7

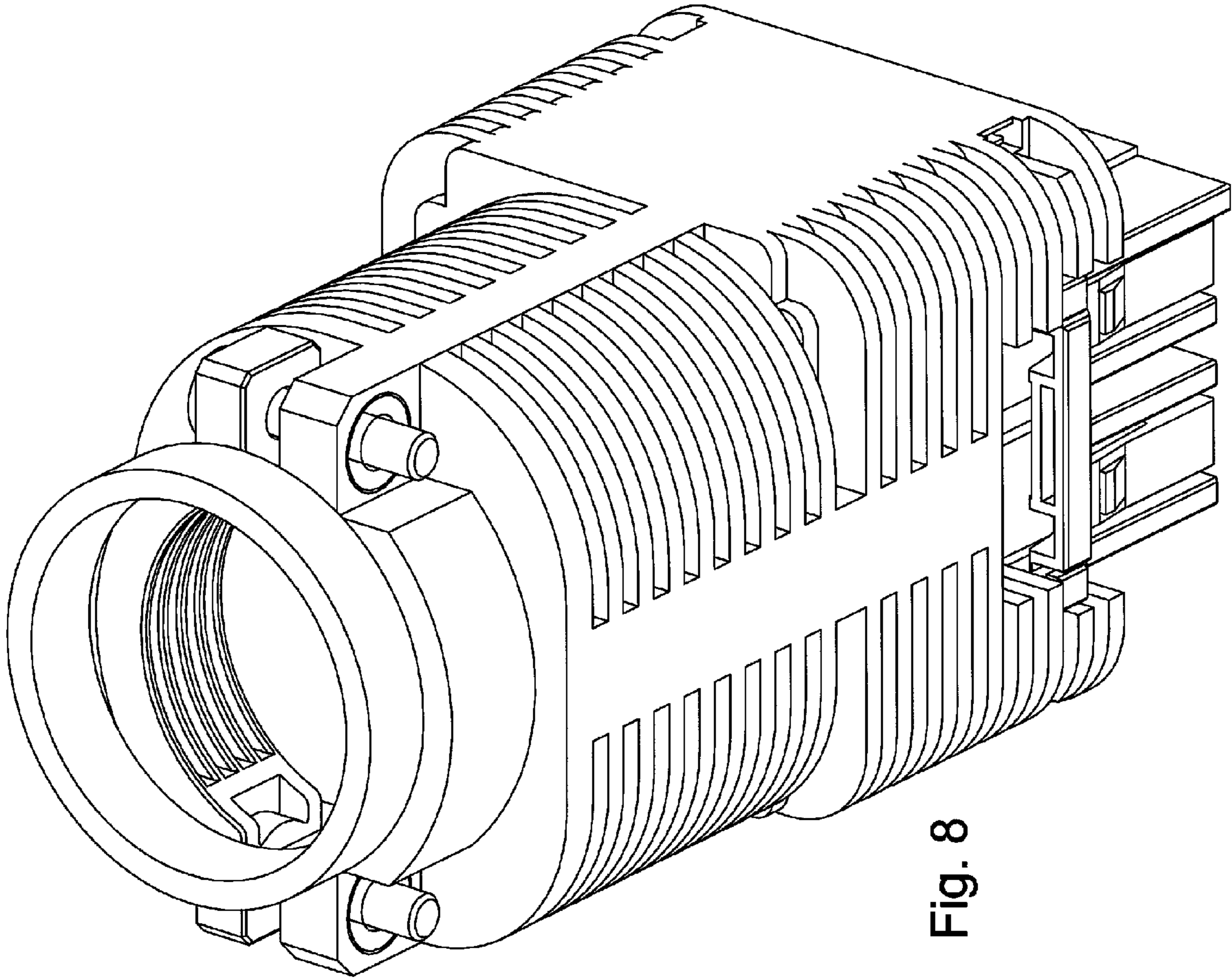


Fig. 8