



US00D610992S

(12) **United States Design Patent**
Fahrendorff et al.

(10) **Patent No.:** **US D610,992 S**
(45) **Date of Patent:** **** Mar. 2, 2010**

(54) **PLUG**

(75) Inventors: **Anders Fahrendorff**, Ottawa (CA);
Todd Andrew Wood, Guelph (CA); **Ian James Murchison**, Ottawa (CA); **Dustin Jonathan Smith**, Kitchener (CA)

(73) Assignee: **Research In Motion Limited**, Waterloo (CA)

(**) Term: **14 Years**

(21) Appl. No.: **29/339,038**

(22) Filed: **Jun. 23, 2009**

(51) **LOC (9) Cl.** **13-03**

(52) **U.S. Cl.** **D13/138.1**

(58) **Field of Classification Search** D13/138.1,
D13/138.2, 139.1, 139.2, 139.3, 139.4, 139.5,
D13/139.6, 139.7, 139.8, 137.1, 137.2, 137.3,
D13/137.4, 133, 107, 108, 110, 123, 146,
D13/147, 149, 151, 154; D14/240, 256,
D14/217, 433; 174/494, 67, 202, 206, 53,
174/59; 439/35, 222, 249, 919, 909, 171,
439/518, 956, 105, 53, 63, 106, 136, 149,
439/266, 300, 373, 654, 660, 907; 320/111,
320/114; 363/146

See application file for complete search history.

(56) **References Cited**

U.S. PATENT DOCUMENTS

D347,617 S * 6/1994 Tattari D13/107
D375,080 S * 10/1996 Sandor et al. D13/138.2

D405,765 S * 2/1999 Yu D13/160
D436,078 S * 1/2001 Korte D13/134
D526,272 S * 8/2006 Sade et al. D13/108
D572,712 S * 7/2008 Ledbetter et al. D14/432
D573,946 S * 7/2008 Ledbetter et al. D13/110
D587,192 S * 2/2009 McGinley et al. D13/110
D587,193 S * 2/2009 McGinley et al. D13/110
D595,224 S * 6/2009 Seil et al. D13/110
D596,572 S * 7/2009 Wu et al. D13/138.1
D601,501 S * 10/2009 Kaibara et al. D13/110
2002/0118561 A1 * 8/2002 Katayama et al. 363/146
2009/0284221 A1 * 11/2009 Liao 320/111

* cited by examiner

Primary Examiner—Jennifer Rivard
Assistant Examiner—Angela J Lee

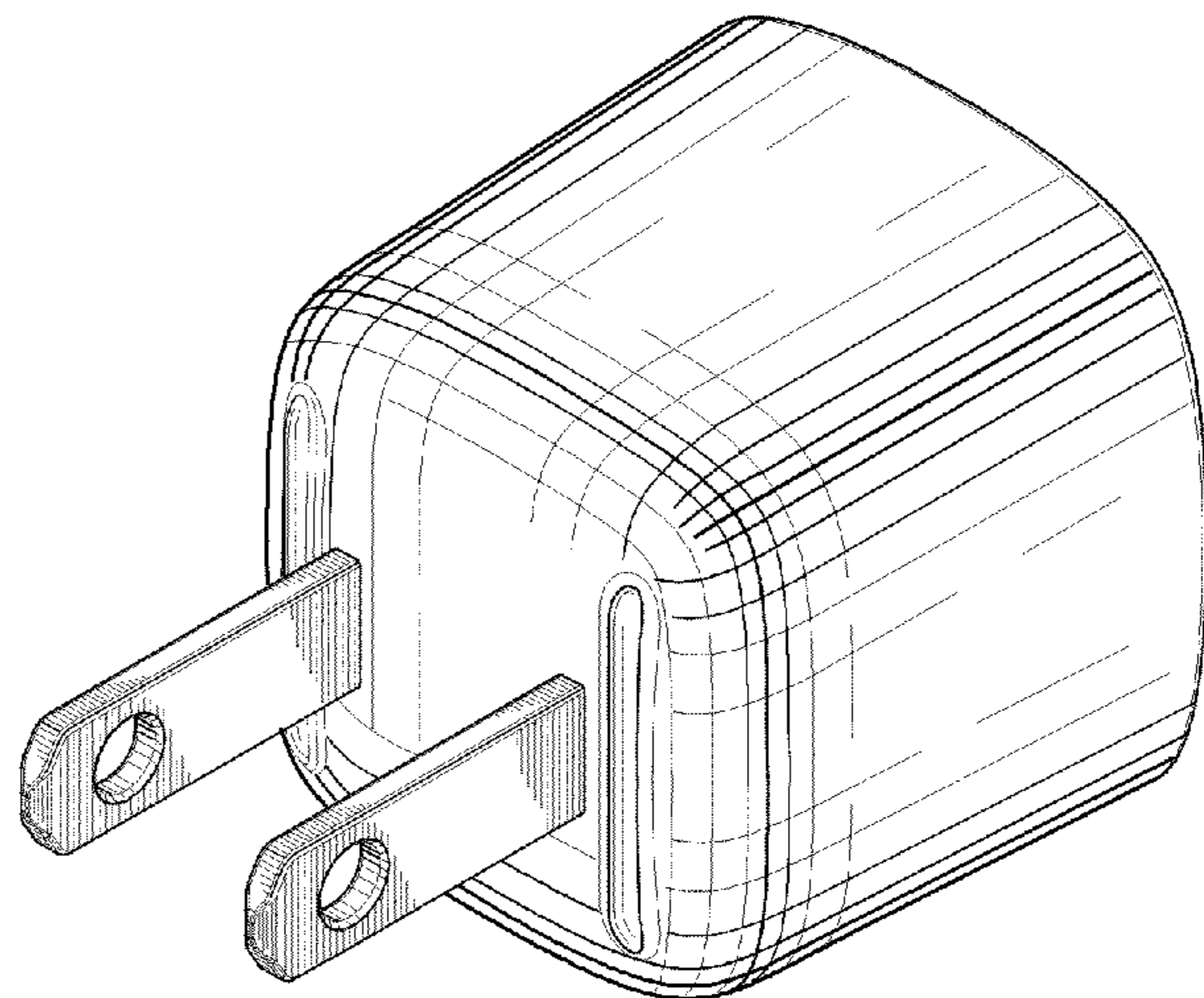
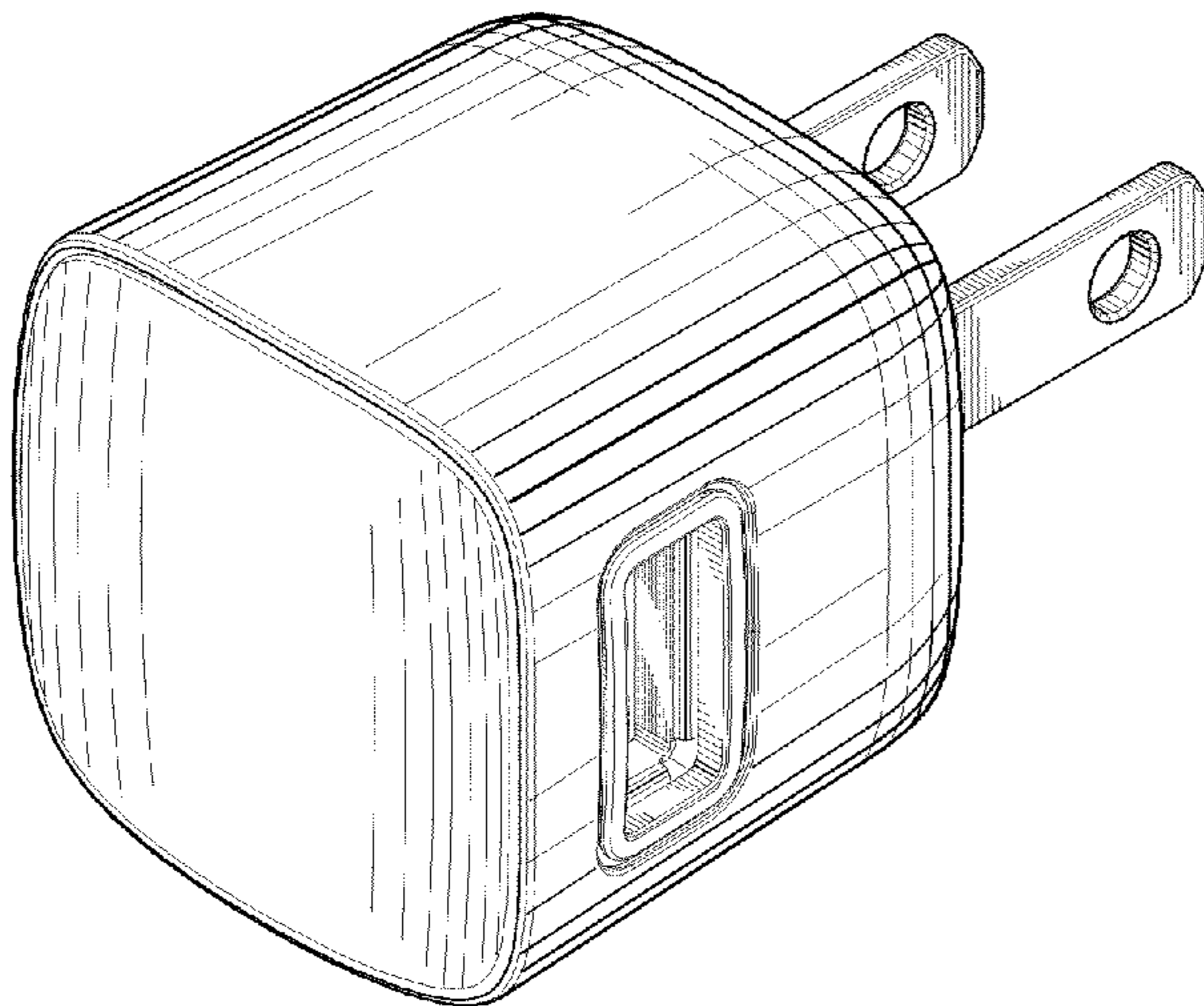
(57) **CLAIM**

We claim the ornamental design for a plug, as shown and described.

DESCRIPTION

FIG. 1 is a front perspective view of a plug;
FIG. 2 is a back perspective view of the plug;
FIG. 3 is a top plan view thereof;
FIG. 4 is a bottom plan view thereof;
FIG. 5 is a left elevational view thereof;
FIG. 6 is a right elevational view thereof;
FIG. 7 is a back plan view thereof; and,
FIG. 8 is a front plan view thereof.

1 Claim, 4 Drawing Sheets



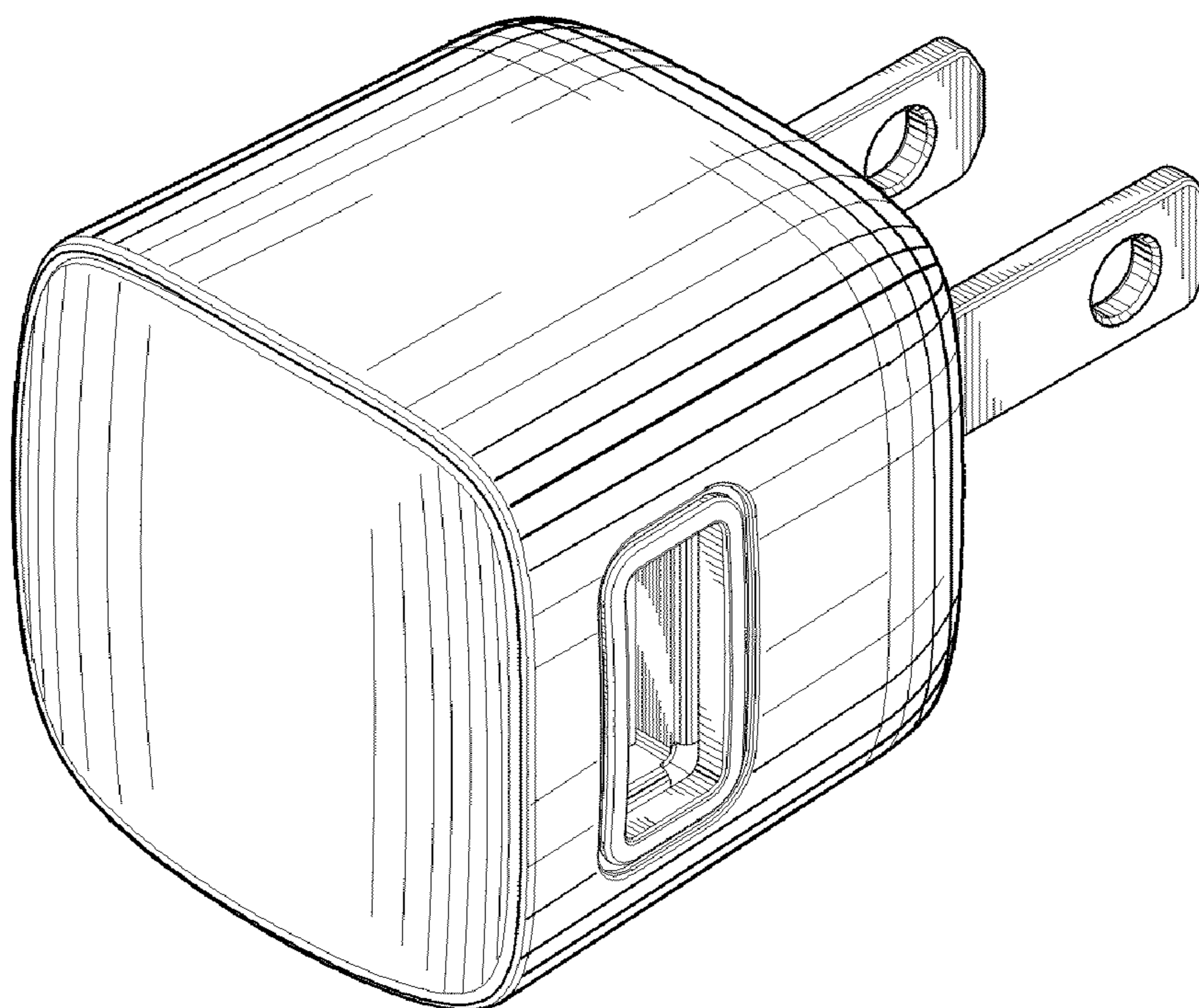


FIG. 1

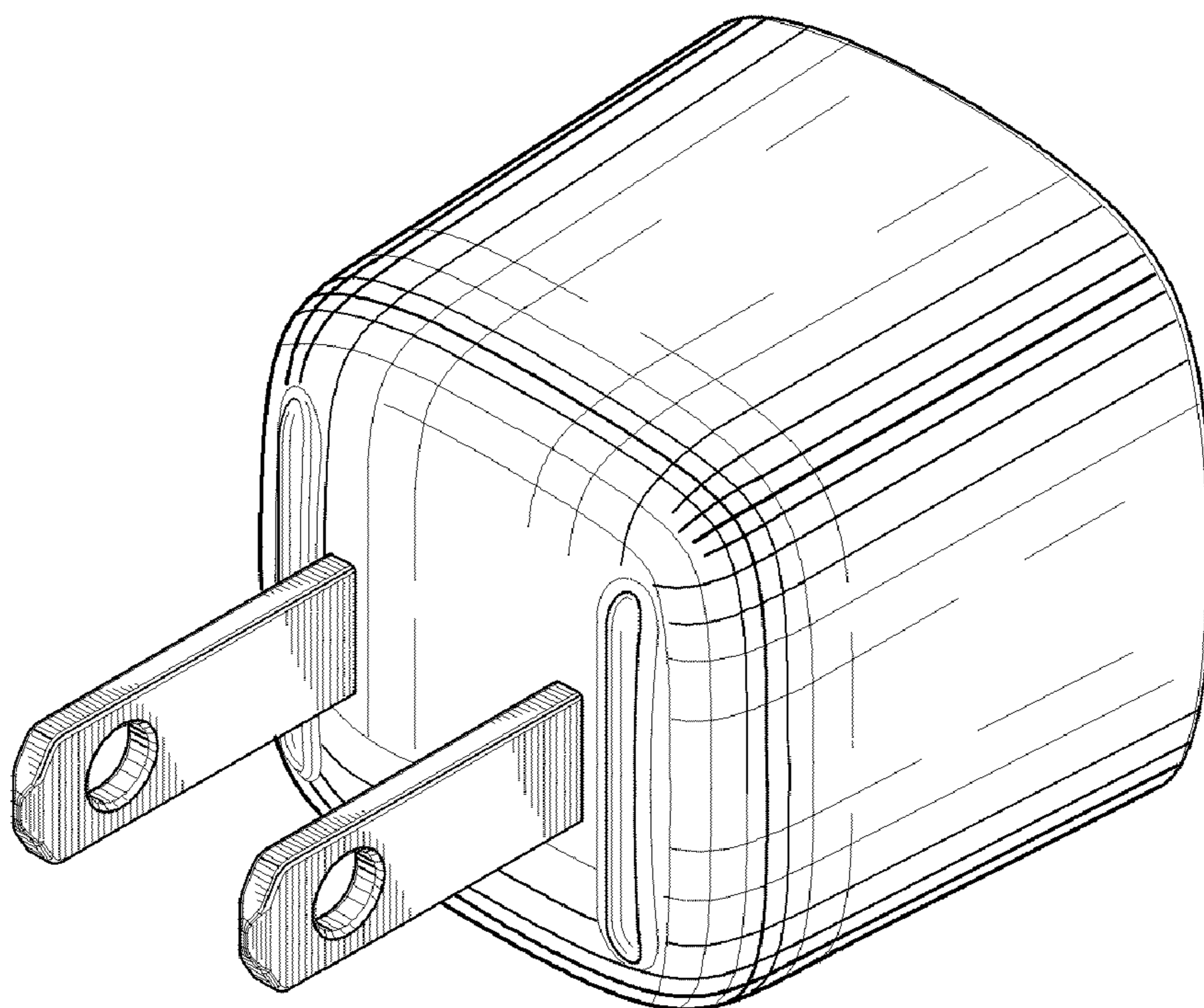


FIG. 2

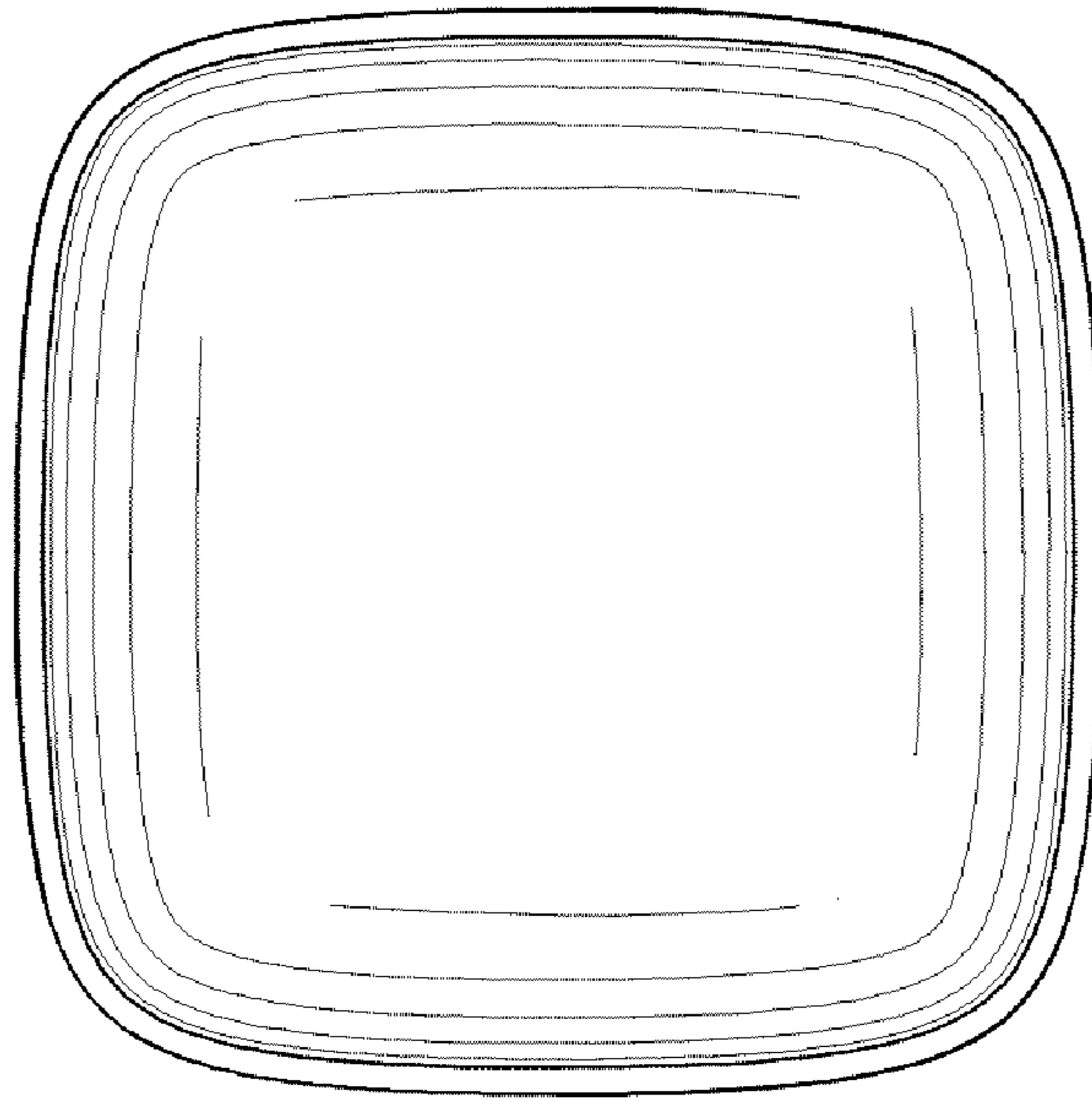


FIG. 3

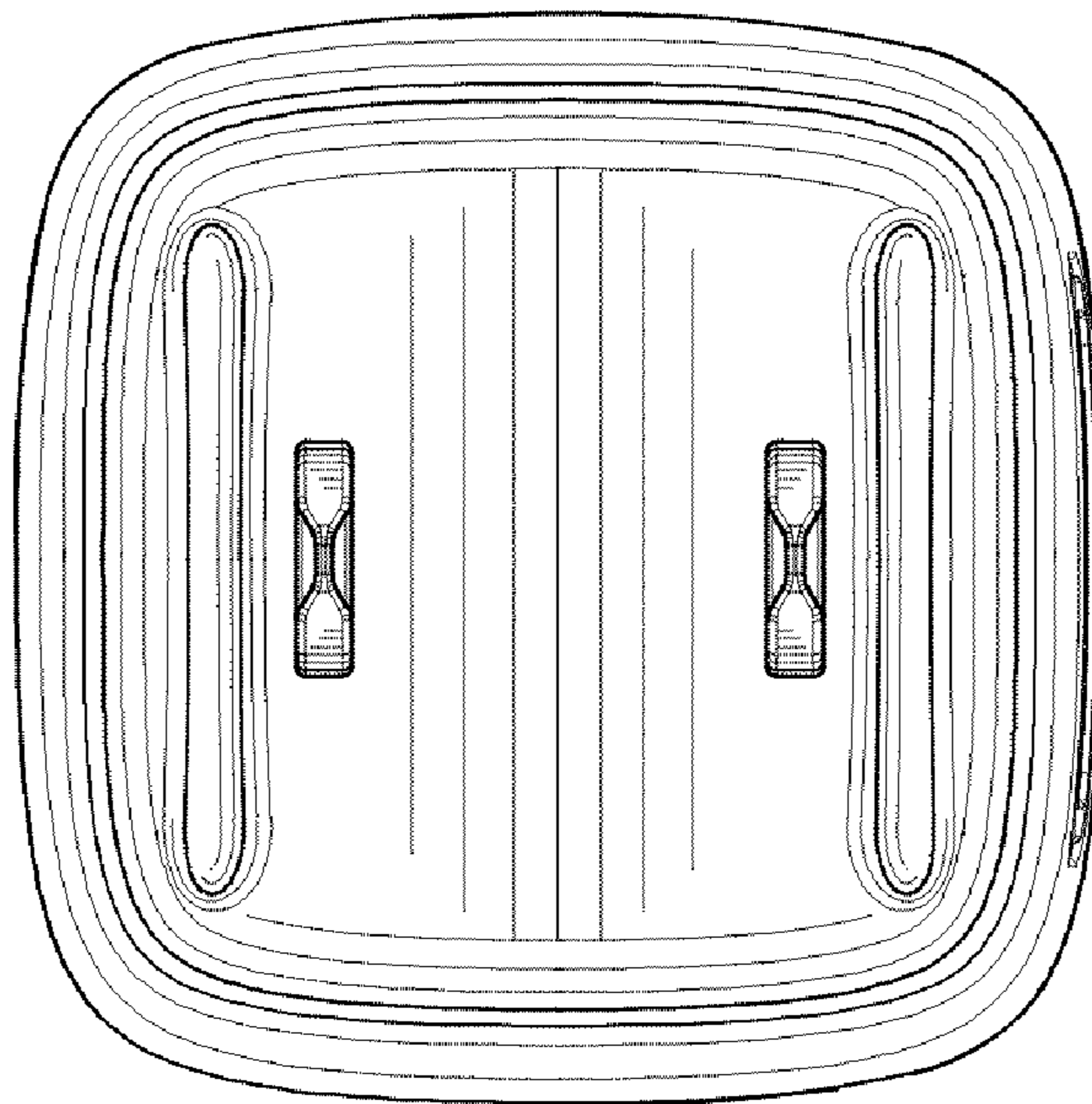


FIG. 4

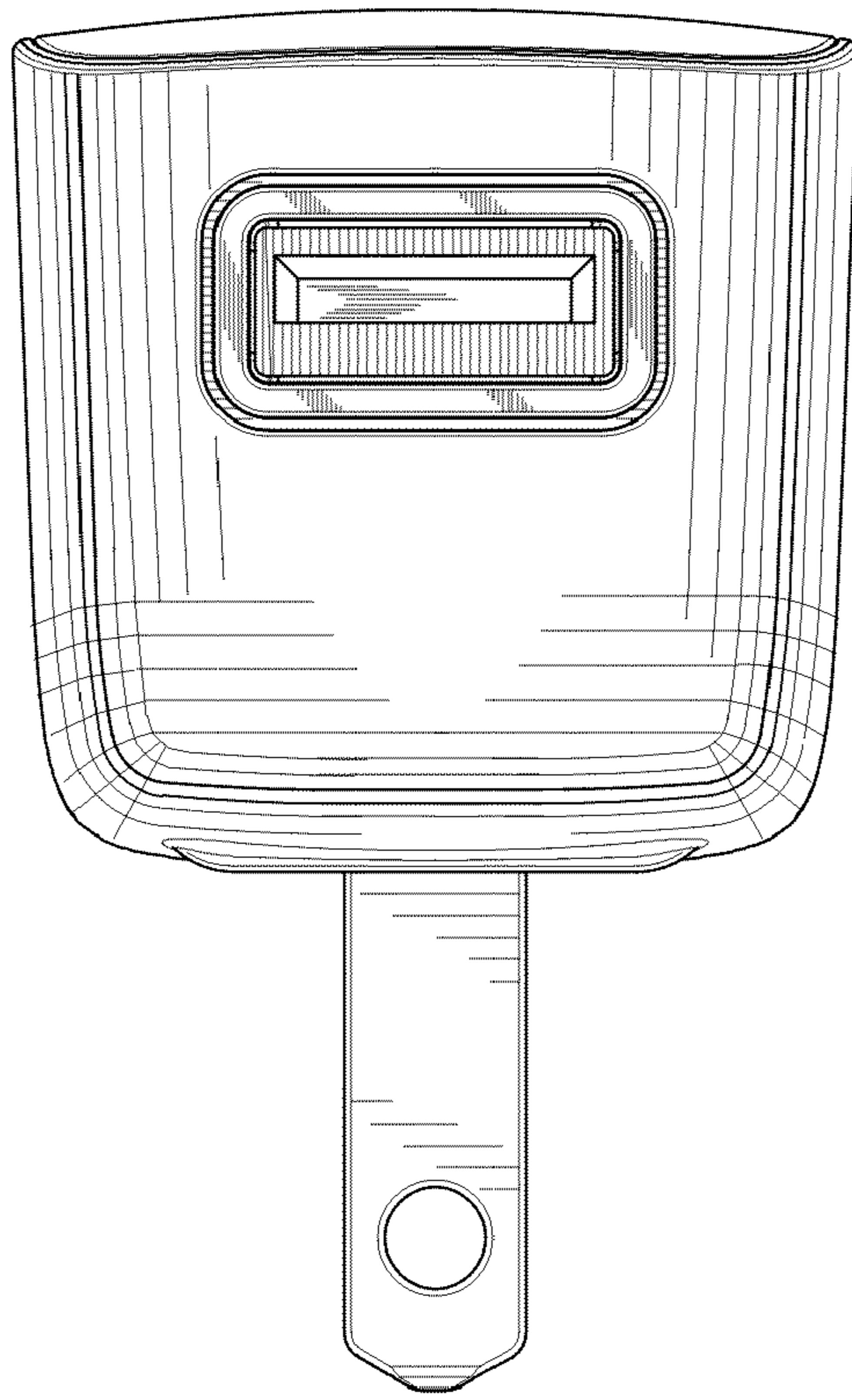


FIG.5

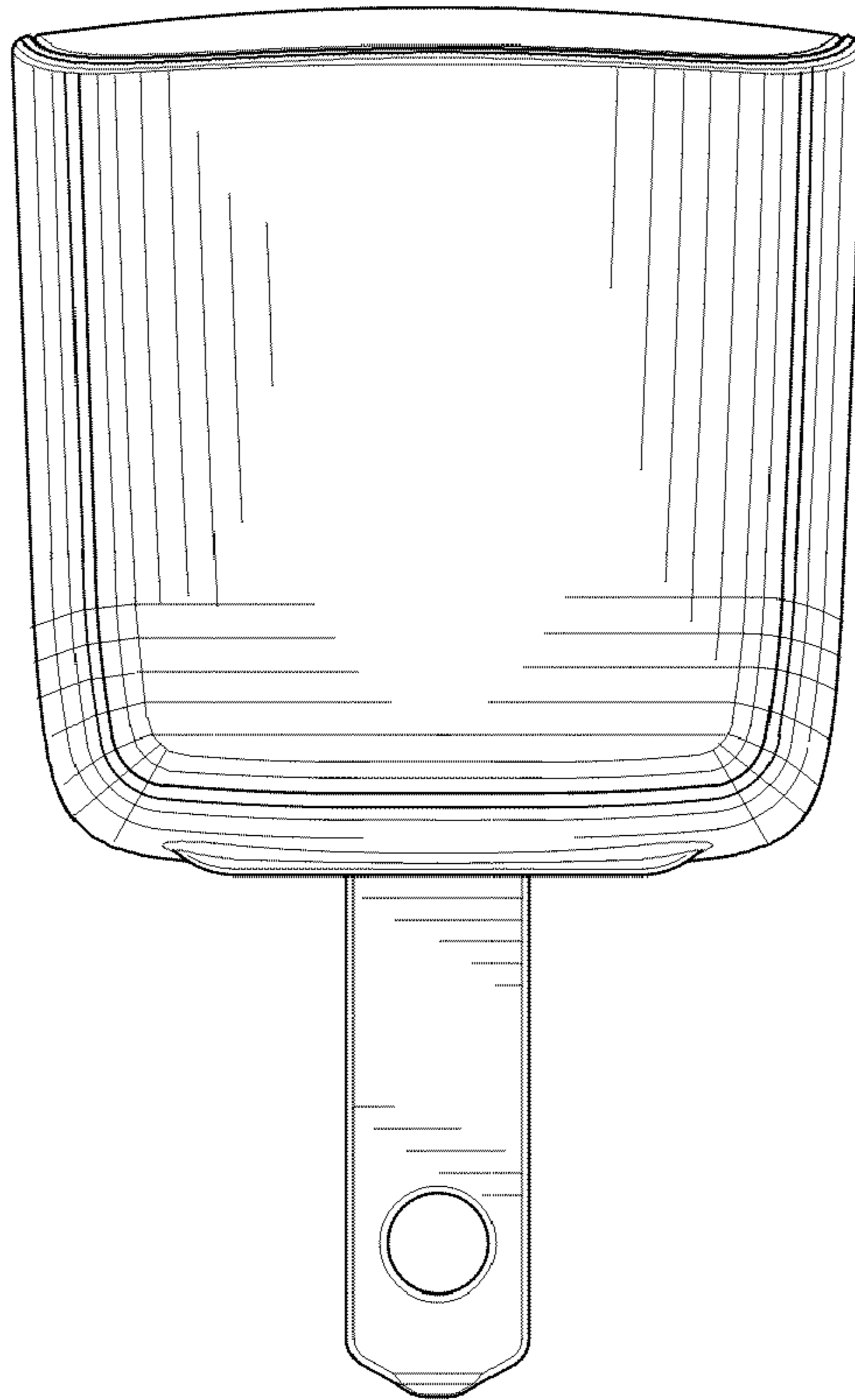


FIG.6

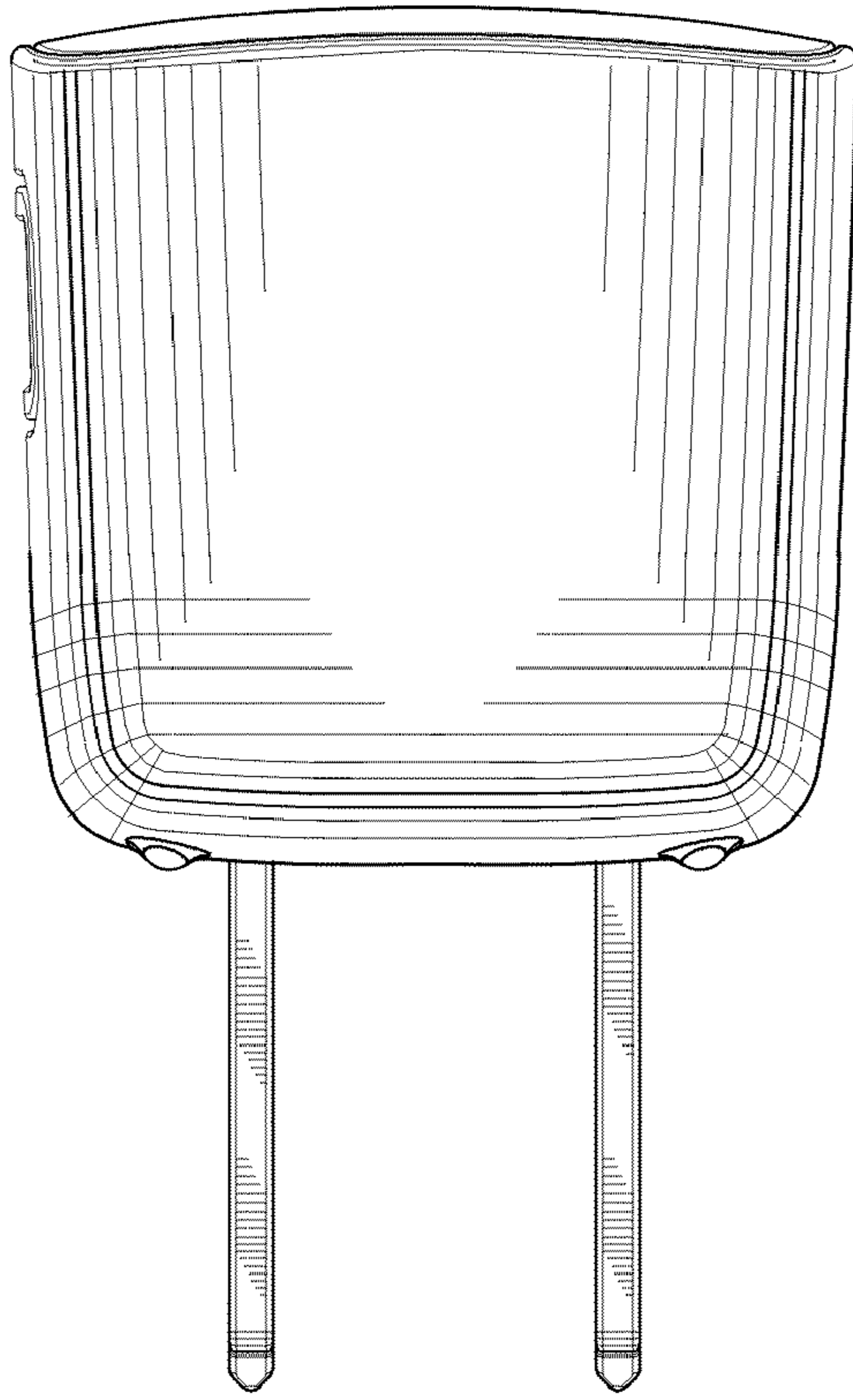


FIG. 7

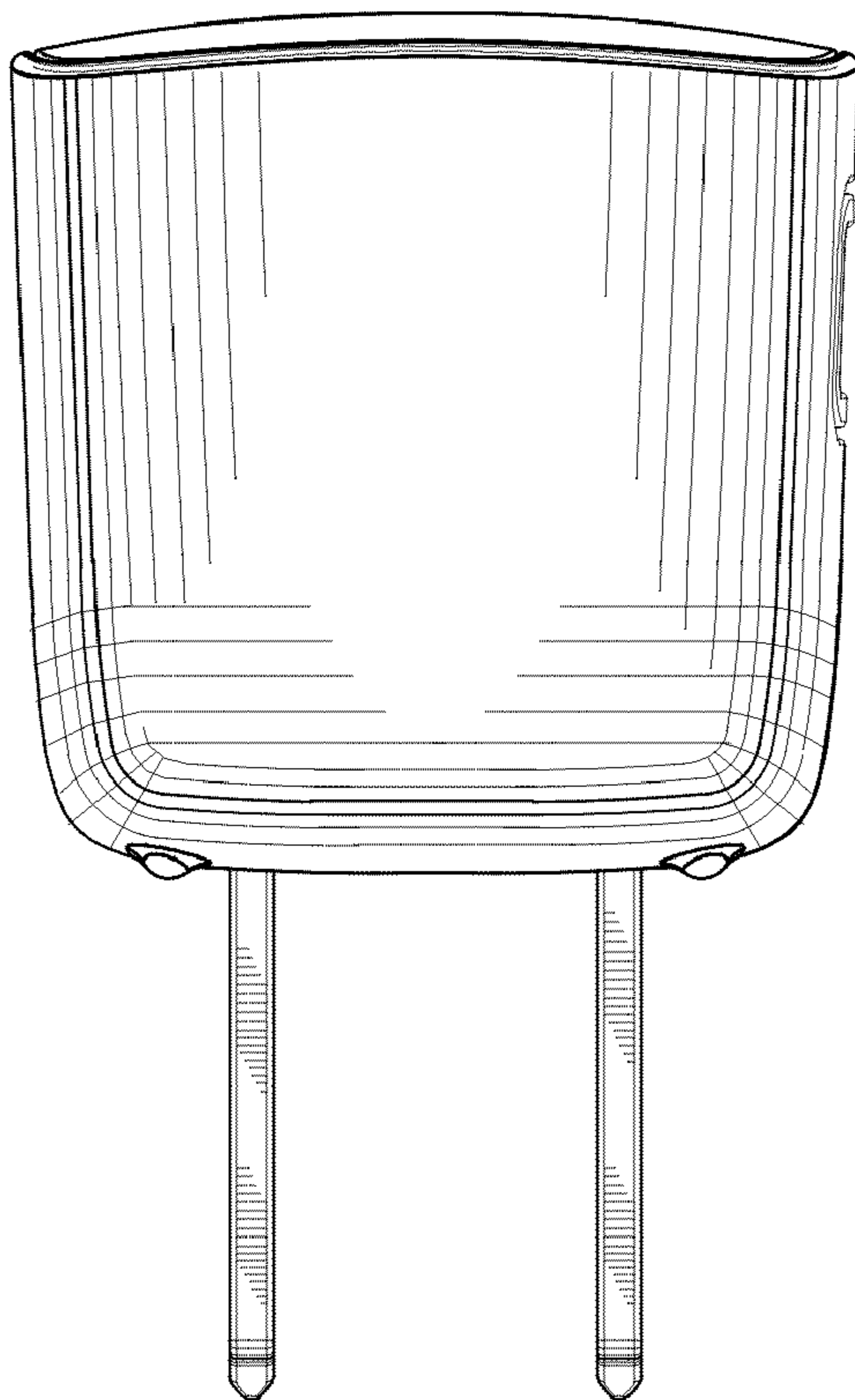


FIG. 8