



US00D610990S

(12) **United States Design Patent**
Biery et al.

(10) **Patent No.:** **US D610,990 S**
(45) **Date of Patent:** **** *Mar. 2, 2010**

(54) **LAMP CONTROL MODULE**

(75) Inventors: **Ethan Charles Biery**, Orefield, PA (US); **Michael Hash**, West Conshohocken, PA (US); **Marc D'Urbano**, Lansdale, PA (US); **Elliot G. Jacoby**, Glenside, PA (US); **Gregory Altonen**, Easton, PA (US); **Noel Mayo**, Philadelphia, PA (US)

(73) Assignee: **Lutron Electronics Co., Inc.**, Coopersburg, PA (US)

(*) Notice: This patent is subject to a terminal disclaimer.

(**) Term: **14 Years**

(21) Appl. No.: **29/336,344**

(22) Filed: **May 1, 2009**

Related U.S. Application Data

(62) Division of application No. 29/303,574, filed on Feb. 12, 2008, now Pat. No. Des. 593,949.

(51) **LOC (9) Cl.** **13-03**

(52) **U.S. Cl.** **D13/134**

(58) **Field of Classification Search** D13/134-136, D13/151, 154, 158, 162, 174, 184, 199; 439/336, 439/602; D26/24, 60, 106, 113; 313/318.12; 362/103, 105, 581
See application file for complete search history.

(56) **References Cited**

U.S. PATENT DOCUMENTS

4,211,959	A	7/1980	Deavenport et al.	
4,591,765	A	5/1986	Beck	
4,630,248	A	12/1986	Scott	
4,632,490	A *	12/1986	Von Gunten	439/642
4,654,541	A	3/1987	Angott	
D292,793	S *	11/1987	Reid, III	D13/134
D310,064	S *	8/1990	Cheng	D13/165
D320,595	S *	10/1991	Fenne	D13/158

5,121,287	A	6/1992	Lee	
D350,730	S *	9/1994	Ayotte	D13/162
D354,730	S *	1/1995	Collins	D13/125
D364,142	S *	11/1995	Metcalfe et al.	D13/134
D367,847	S *	3/1996	Tarulli et al.	D13/158
D435,832	S *	1/2001	Jilani	D13/158
6,390,646	B1	5/2002	Yan	
6,494,730	B1	12/2002	Yan	
6,531,824	B1	3/2003	Yan	
RE38,069	E	4/2003	Posa	
6,779,911	B2	8/2004	Chang	

(Continued)

OTHER PUBLICATIONS

Intermatic Corporation, General Catalog, 2007, pp. cover, 124, rear cover.

(Continued)

Primary Examiner—Daniel D Bui

Assistant Examiner—Thomas J Johannes

(74) *Attorney, Agent, or Firm*—Mark E. Rose; Philip N. Smith

(57) **CLAIM**

We claim the ornamental design for a lamp control module, as shown and described.

DESCRIPTION

FIG. 1 is a front perspective view of a lamp control module according to our new design.

FIG. 2 is a rear perspective view thereof.

FIG. 3 is a front view thereof.

FIG. 4 is a rear view thereof.

FIG. 5 is a left side view thereof.

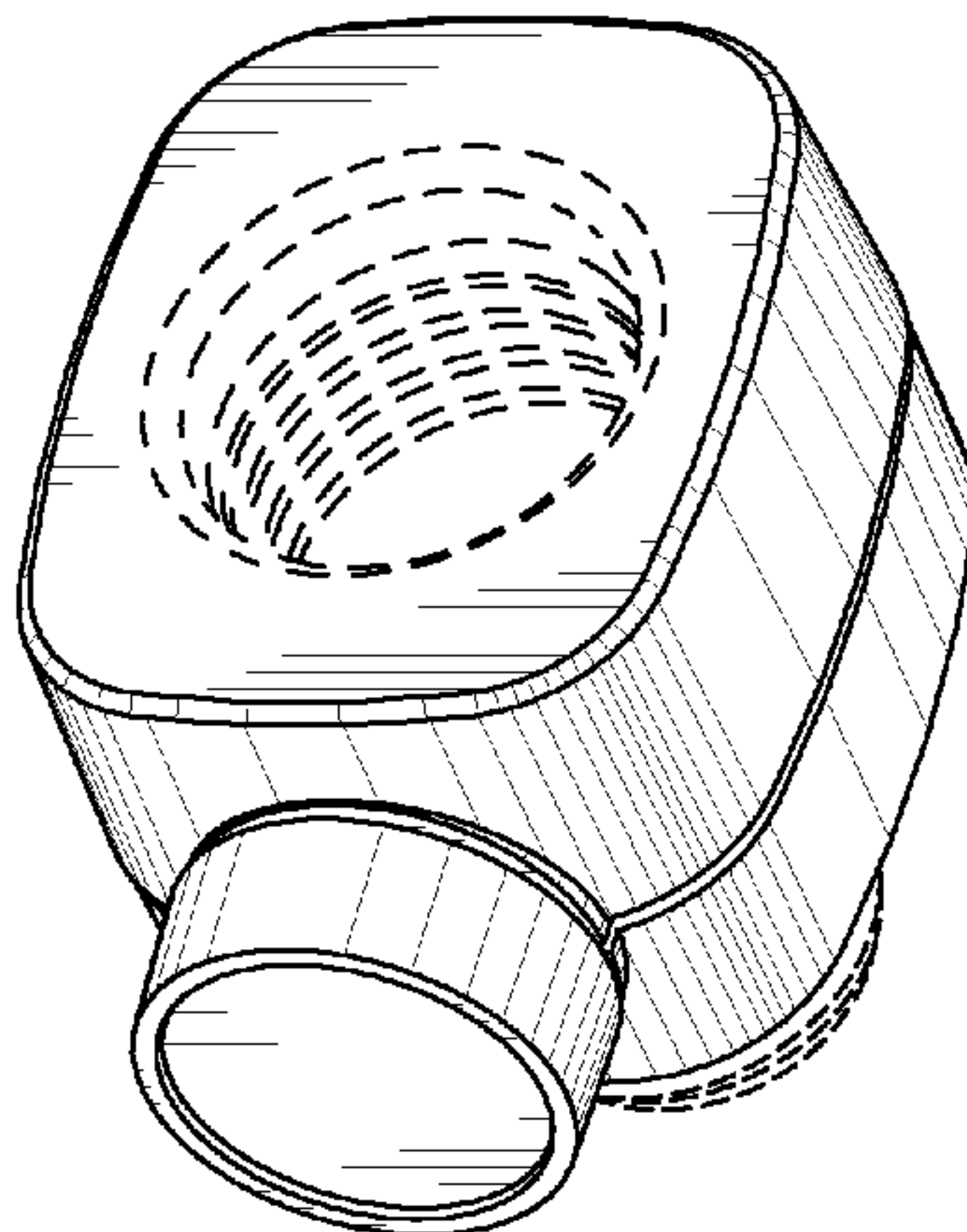
FIG. 6 is a right side view thereof.

FIG. 7 is a top view thereof; and,

FIG. 8 is a bottom view thereof.

The portions of the drawings appearing in broken line are for environment only and do not form a part of the claimed design.

1 Claim, 4 Drawing Sheets



U.S. PATENT DOCUMENTS

6,802,730 B2 10/2004 Chang
6,888,320 B2 5/2005 Denes
D517,480 S * 3/2006 Luo D13/134
7,125,159 B2 10/2006 Hirsch et al.
D583,761 S * 12/2008 Schenck D13/134
D593,948 S 6/2009 Biery et al.
D593,949 S 6/2009 Biery et al.
D593,950 S 6/2009 Biery et al.
2005/0013196 A1 1/2005 Russo

OTHER PUBLICATIONS

Intermatic Corporation, Model HAO5 Screw-In Lamp Module Installation Instructions, not dated, 2 pages.
Intermatic Corporation, NE1C Product Fact Sheet, Jun. 12, 2002, 1 page.
Intermatic Corporation, NE2C Product Fact Sheet, Jun. 12, 2002, 1 page.
Intermatic Corporation, NE200C Product Fact Sheet, Jun. 12, 2002, 1 page.

Intermatic Corporation, NE2500 Product Fact Sheet, May 28, 2002, 1 page.
DESA, Ltd., Ace Remote Controlled Products Installation Instructions, 2005, 32 pages.
DESA Ltd., Heath/Zenith Remote Controlled Products Installation Instructions, 2002, 20 pages.
DESA, Ltd., Heath/Zenith Wireless Lamp/Outlet Modules Installation Instructions, 2001, 12 pages.
Lutron Electronics Co., Inc., Stanza Lamp Socket Dimmer/Switch Specification Submittal Sheet, Feb. 13, 2008, 4 pages.
Lutron Electronics Co., Inc., Stanza Hotel Guestroom Light Control Brochure, Feb. 20, 2008, 12 pages.
Leviton Manufacturing Co., Inc., Lighting and Fan Speed Controls Product Guide, 2006, front cover, p. 7, rear cover.
U.S. Appl. No. 11/835,950, filing date Aug. 8, 2007, Newman, Jr. et al.
U.S. Appl. No. 12/033,329, filing date Feb. 19, 2008, Biery et al.
U.S. Appl. No. 29/318,103, filing date May 13, 2008, Biery et al.
U.S. Appl. No. 29/336,345, filing date May 1, 2009, Biery et al.
U.S. Appl. No. 29/336,348, filing date May 1, 2009, Biery et al.

* cited by examiner

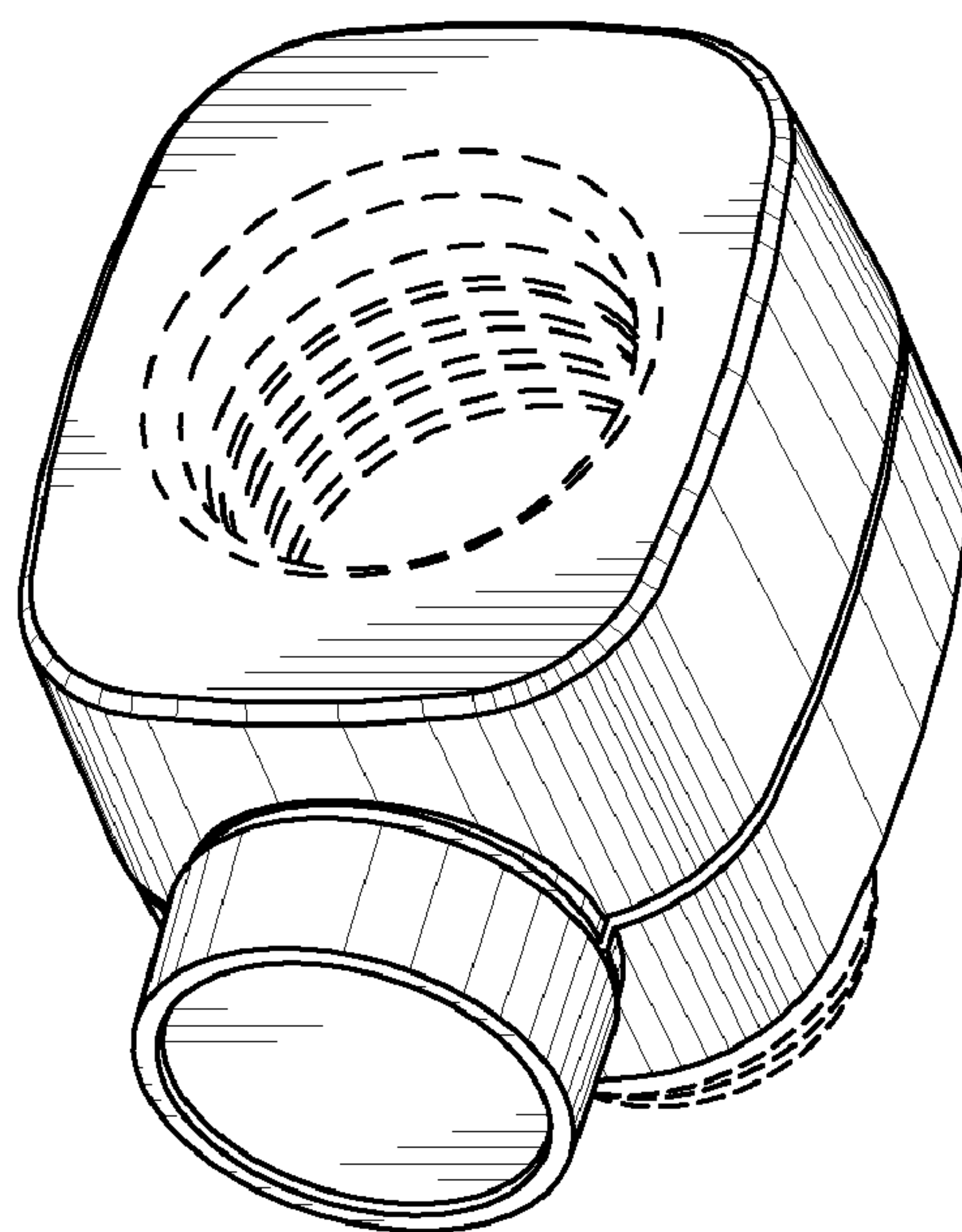


Fig. 1

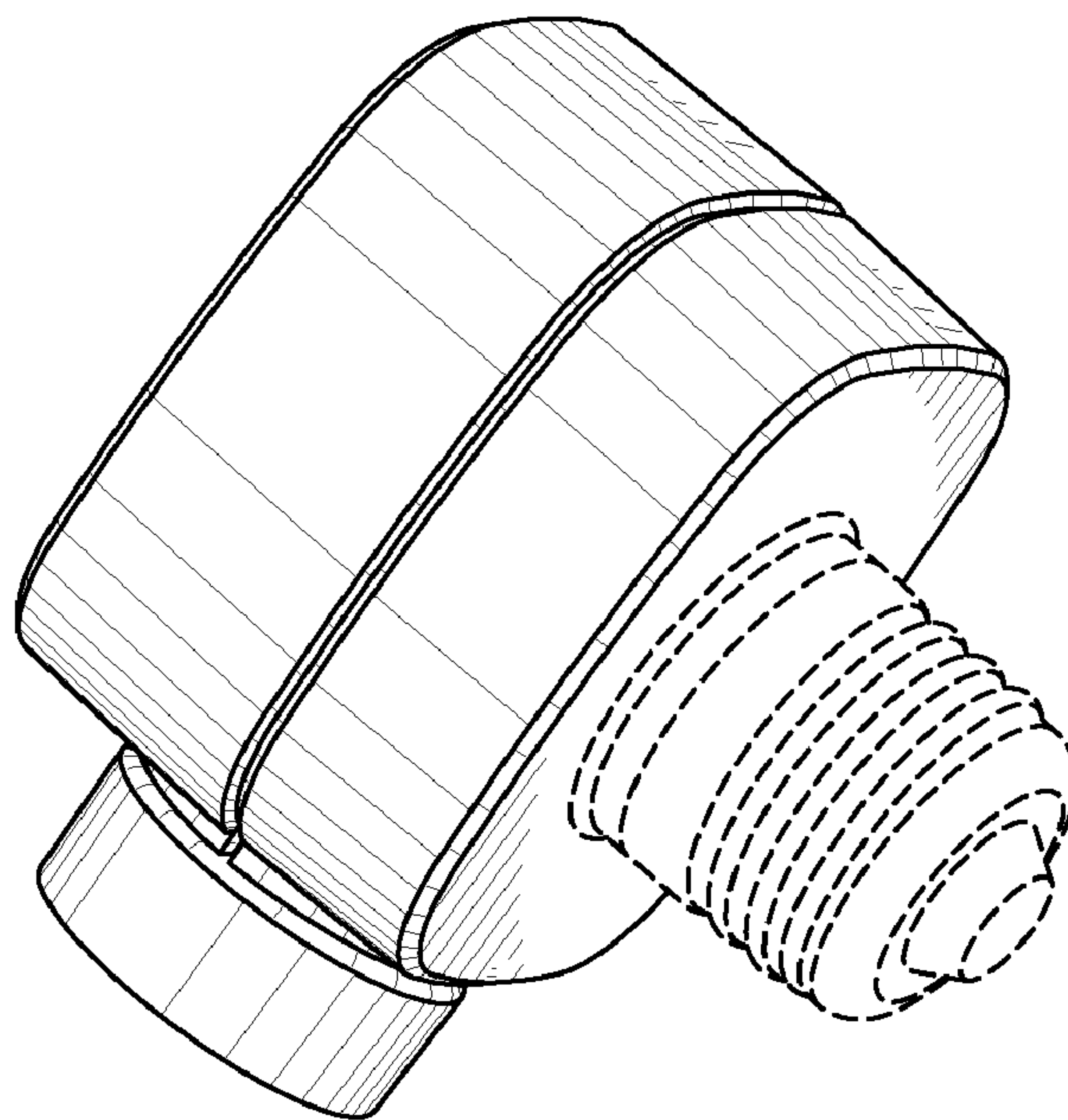


Fig. 2

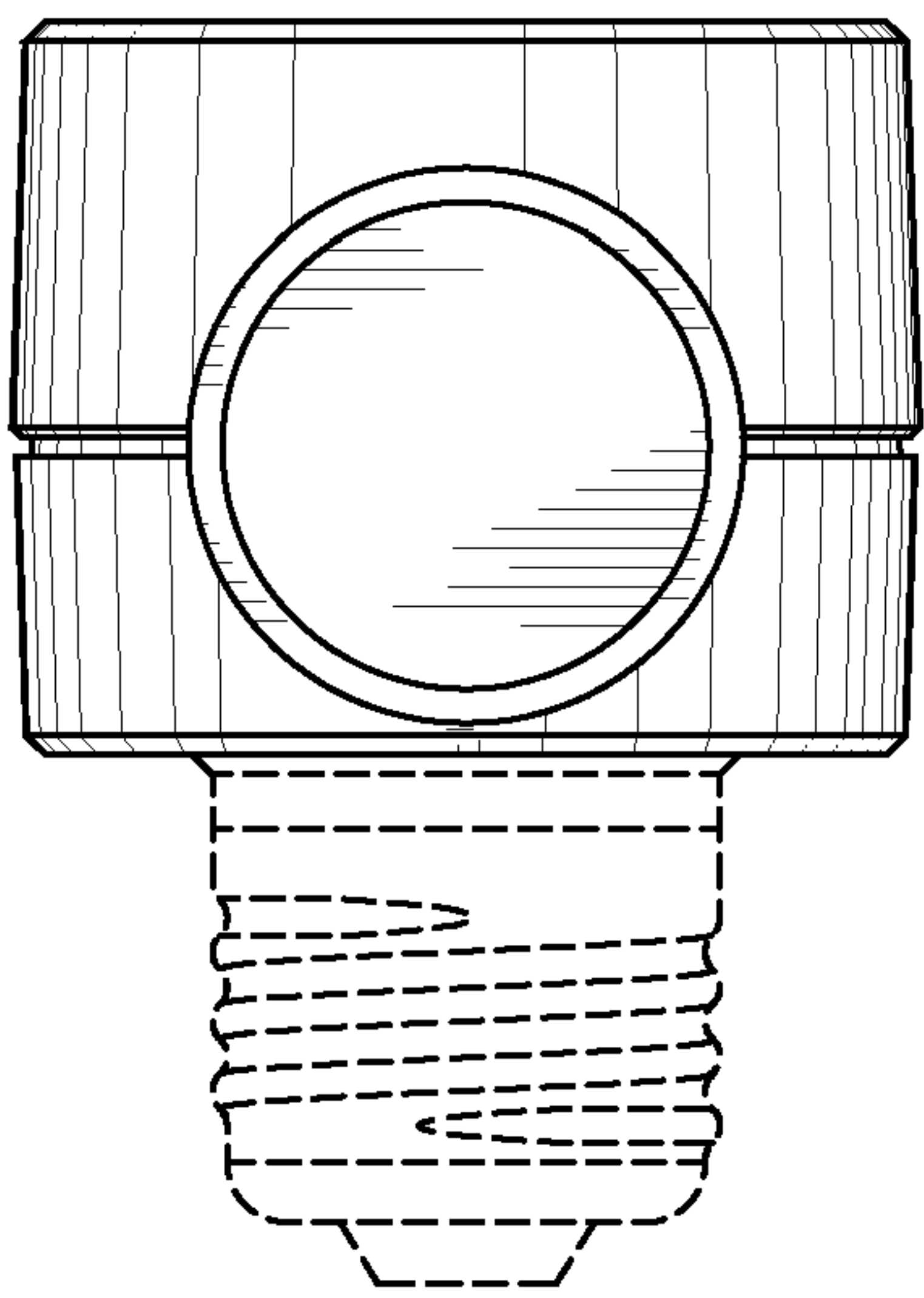


Fig. 3

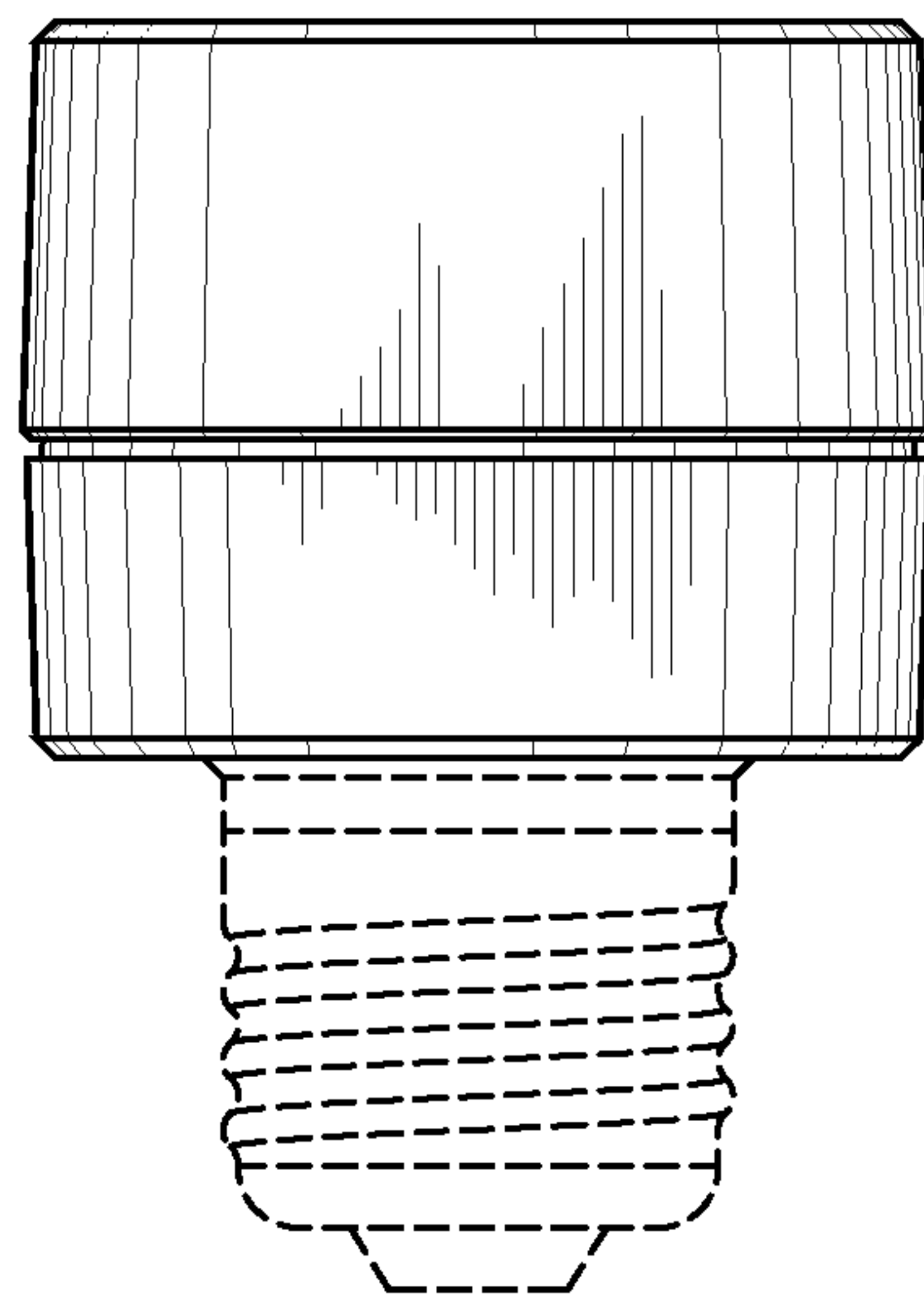


Fig. 4

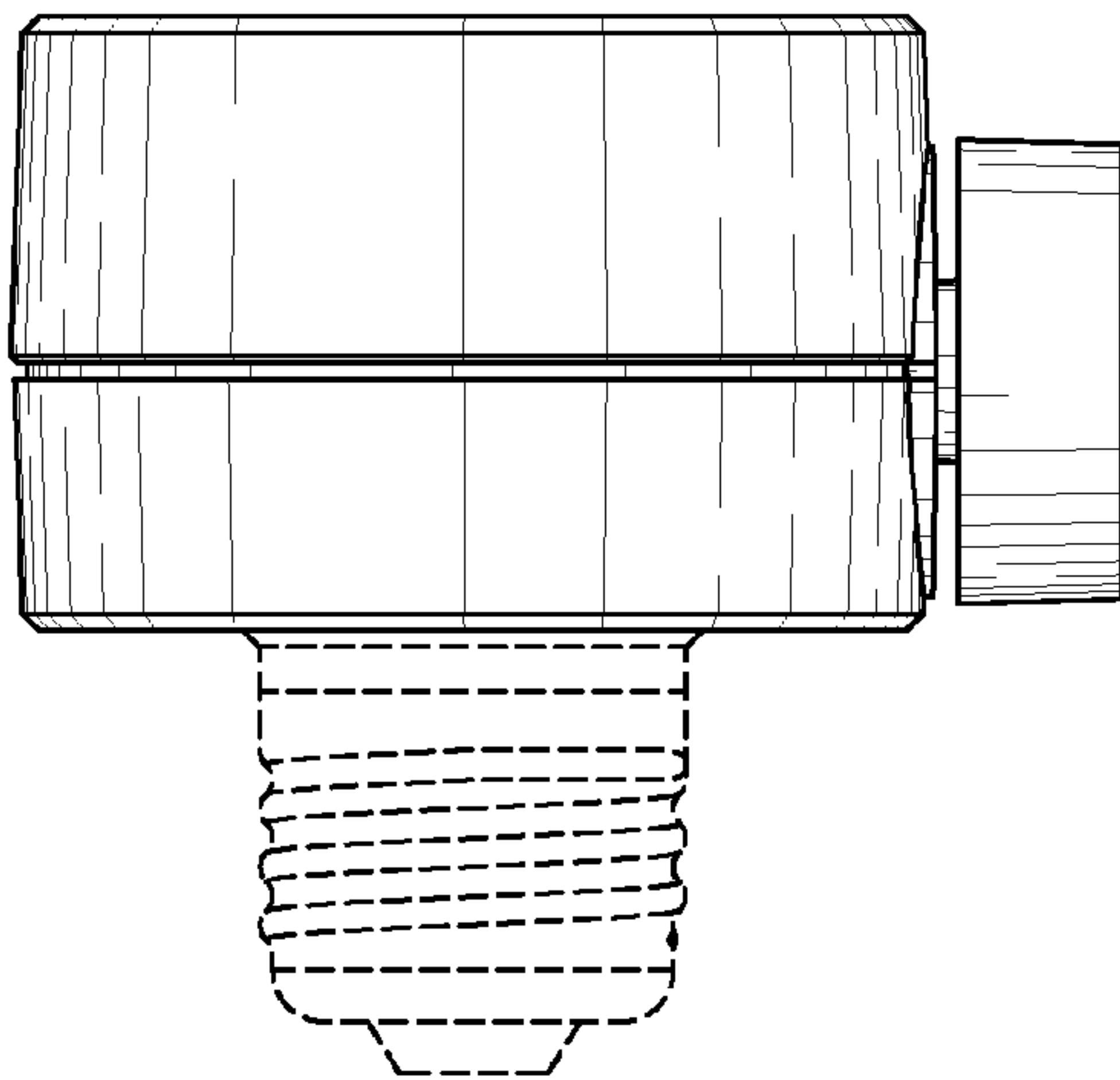


Fig. 5

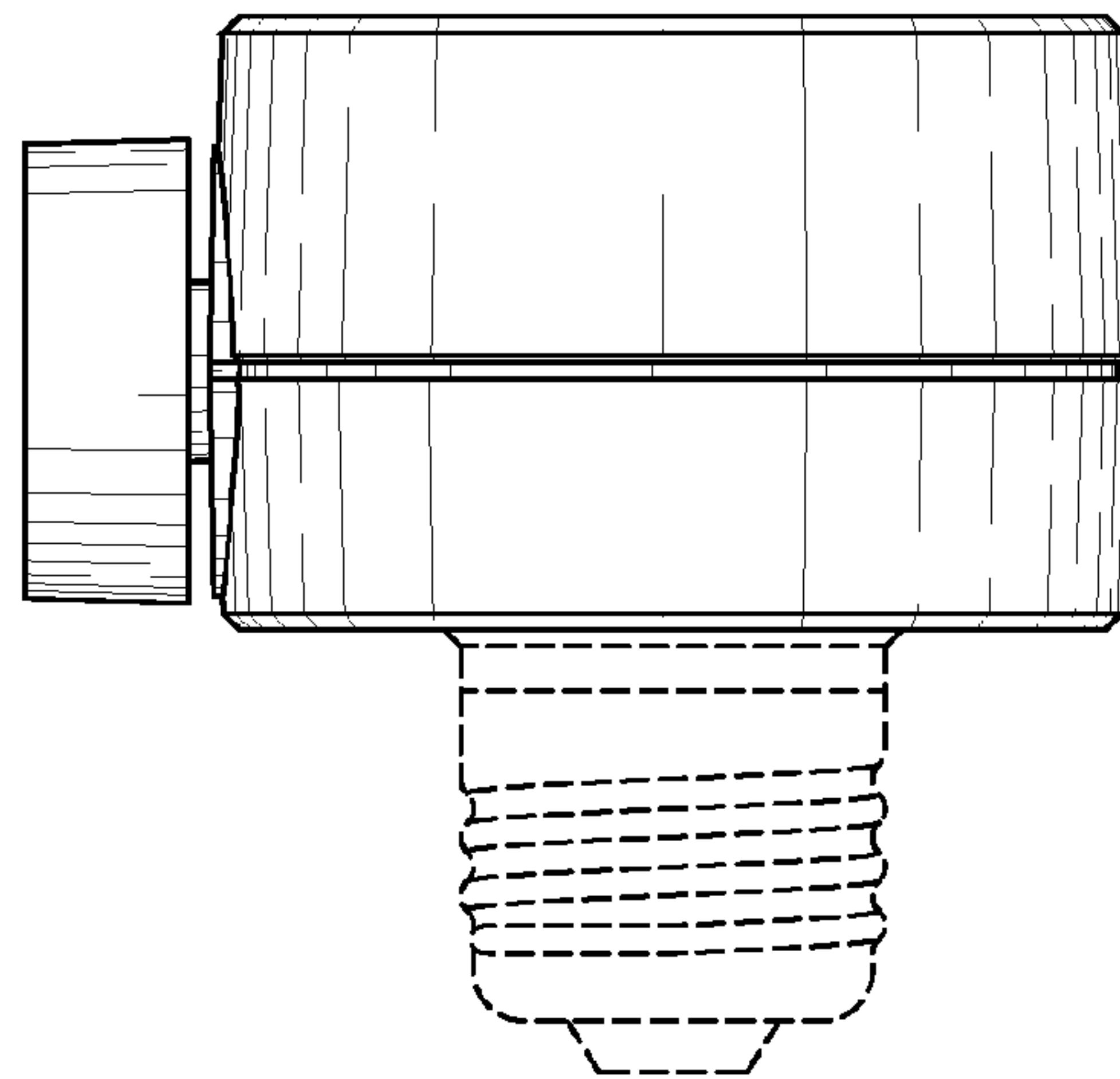


Fig. 6

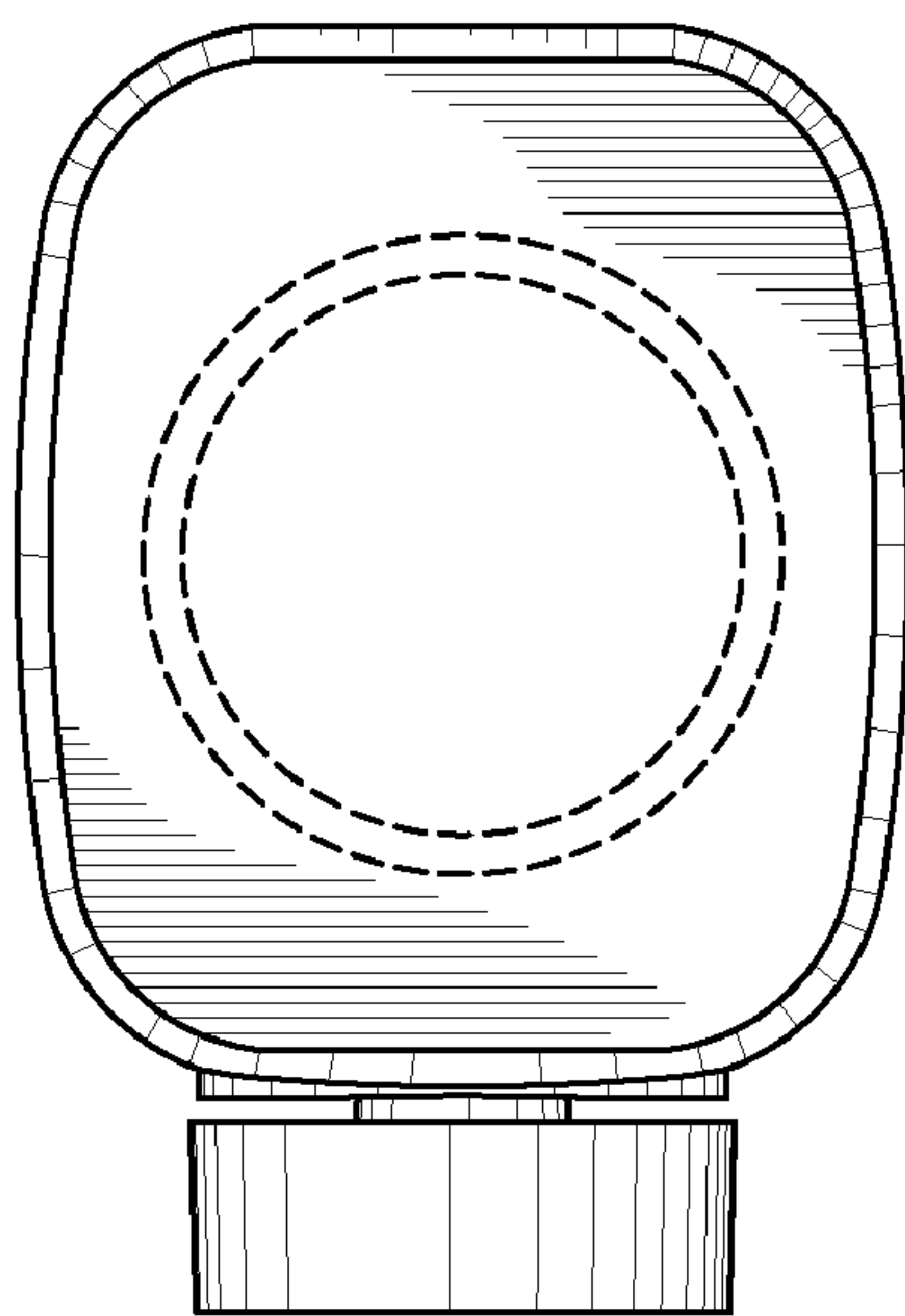


Fig. 7

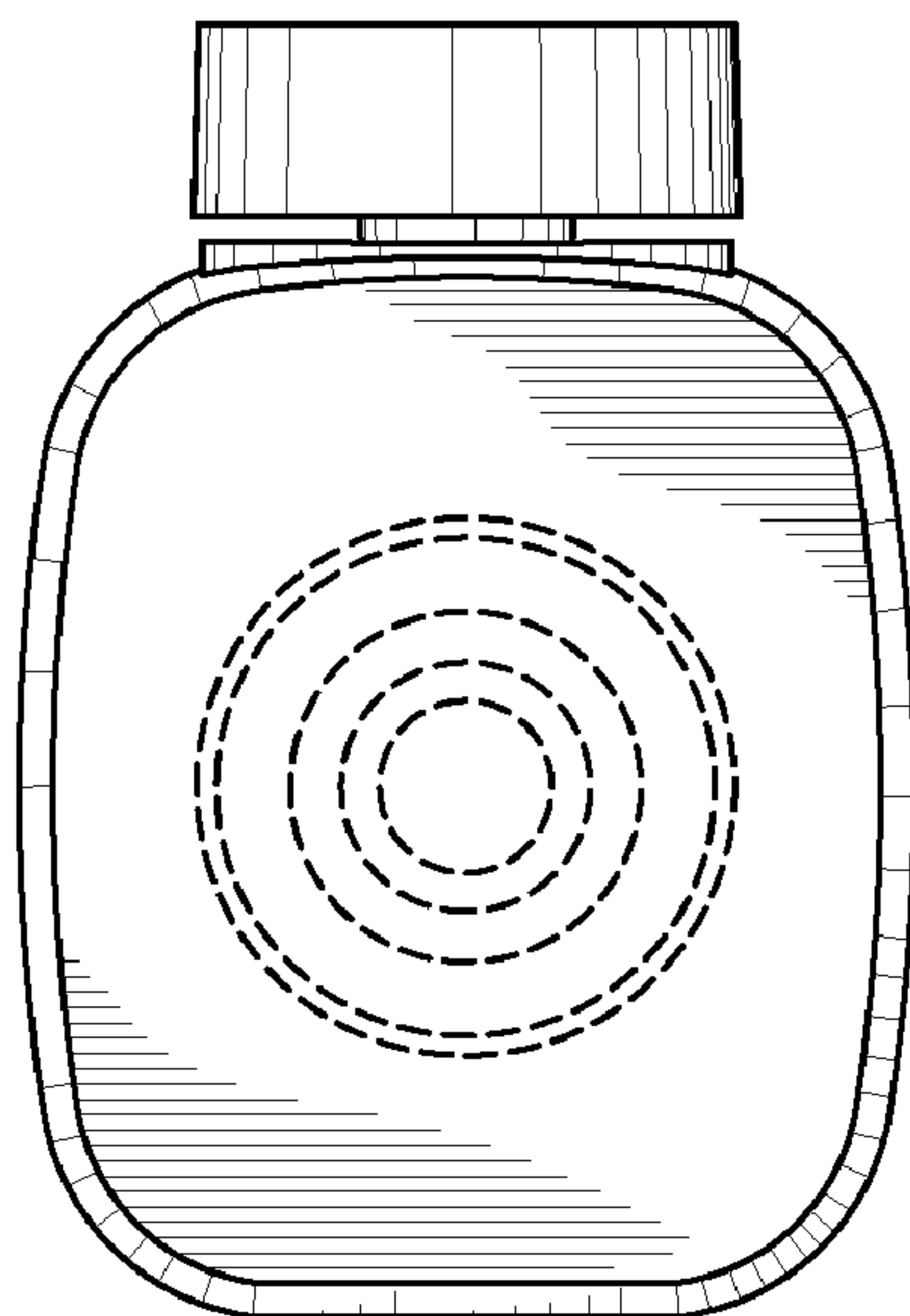


Fig. 8