



US00D610989S

(12) **United States Design Patent**
Amidon

(10) **Patent No.:** **US D610,989 S**
(45) **Date of Patent:** **** Mar. 2, 2010**

(54) **S-VIDEO TYPE CABLE CONNECTOR**

(75) Inventor: **Jeremy Amidon**, Marcellus, NY (US)

(73) Assignee: **John Mezzalingua Assoc., Inc.**, East Syracuse, NY (US)

(**) Term: **14 Years**

(21) Appl. No.: **29/325,545**

(22) Filed: **Oct. 2, 2008**

Related U.S. Application Data

(63) Continuation-in-part of application No. 29/278,904, filed on Apr. 13, 2007, now Pat. No. Des. 580,863.

(51) **LOC (9) Cl.** **13-03**

(52) **U.S. Cl.** **D13/133**

(58) **Field of Classification Search** D13/123,
D13/133, 146, 149, 151, 154, 184, 199; 439/491,
439/578, 583, 584, 668, 669, 675, 751, 825
See application file for complete search history.

(56) **References Cited**

U.S. PATENT DOCUMENTS

5,102,344	A	4/1992	Tadokoro et al.
D360,400	S	7/1995	Pitcher
D424,020	S	5/2000	Fischer
6,169,879	B1	1/2001	Perlman
D449,579	S	10/2001	Goto
6,525,782	B2	2/2003	Cheng
6,902,427	B2	6/2005	Kuo
6,907,615	B1	6/2005	Alexander et al.
6,958,766	B2	10/2005	Cooper

D531,576	S	11/2006	Bernardini	
D574,775	S	*	8/2008	Amidon D13/133
D580,862	S	*	11/2008	Amidon D13/133
D580,863	S	*	11/2008	Amidon D13/133
D595,654	S	*	7/2009	Andre et al. D13/133
2005/0161246	A1	7/2005	Khemakhem et al.	

OTHER PUBLICATIONS

Amidon, Jeremy: U.S. Appl. No. 29/278,904, filed Apr. 13, 2007.

* cited by examiner

Primary Examiner—Daniel D Bui

Assistant Examiner—Thomas J Johannes

(74) *Attorney, Agent, or Firm*—Melissa Bitting

(57) **CLAIM**

The ornamental design for an S-video type cable connector, as shown and described.

DESCRIPTION

FIG. 1 is a perspective view of an S-video type cable connector, showing my new design;

FIG. 2 is a side elevation view thereof, with the opposite side elevation view being a mirror image thereto;

FIG. 3 is a top plan view thereof;

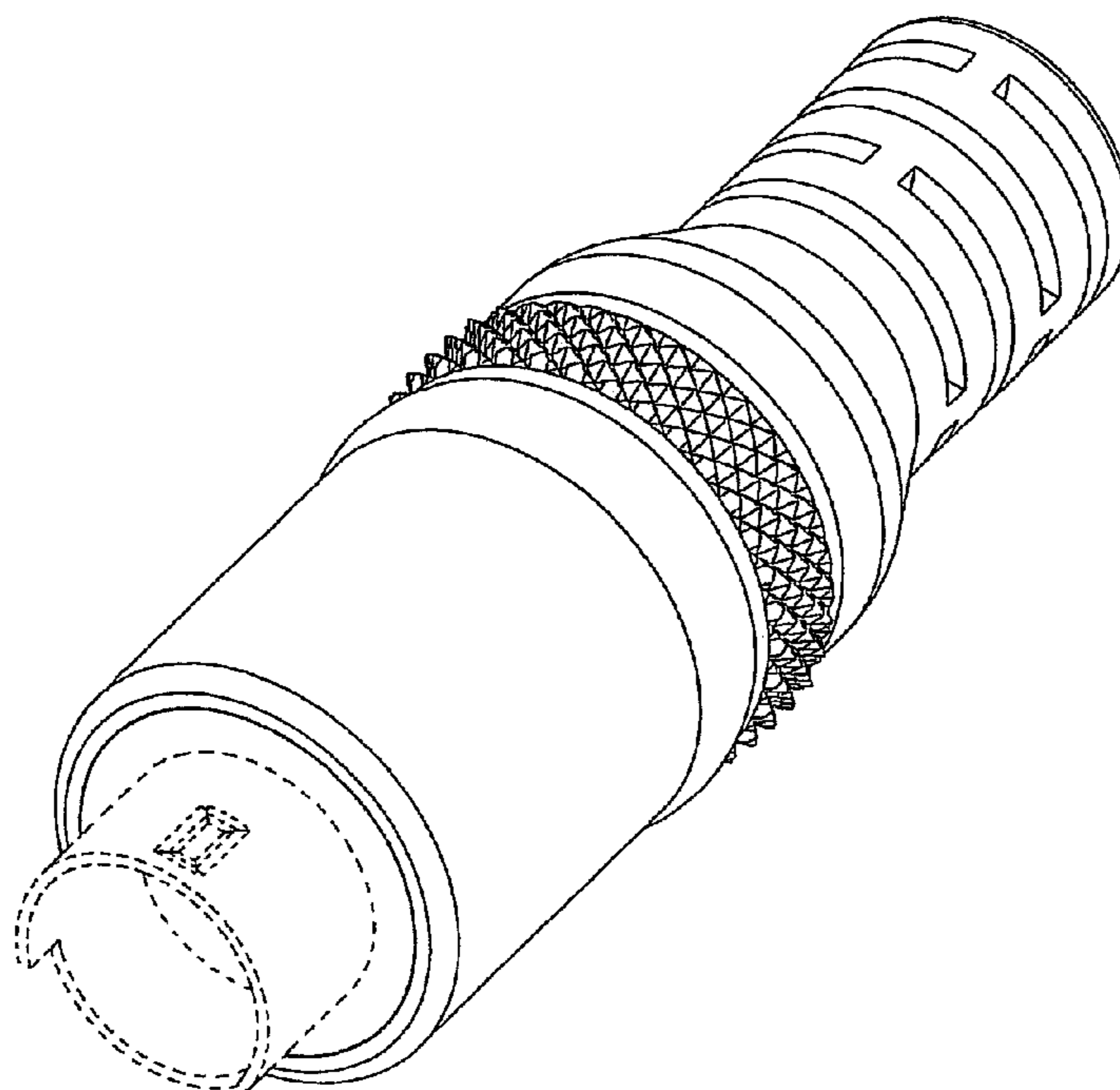
FIG. 4 is a bottom plan view thereof;

FIG. 5 is a front elevation view thereof; and,

FIG. 6 is a rear elevation view thereof.

The broken line showing of the environment is for illustrative purposes only and forms no part of the claimed design.

1 Claim, 6 Drawing Sheets



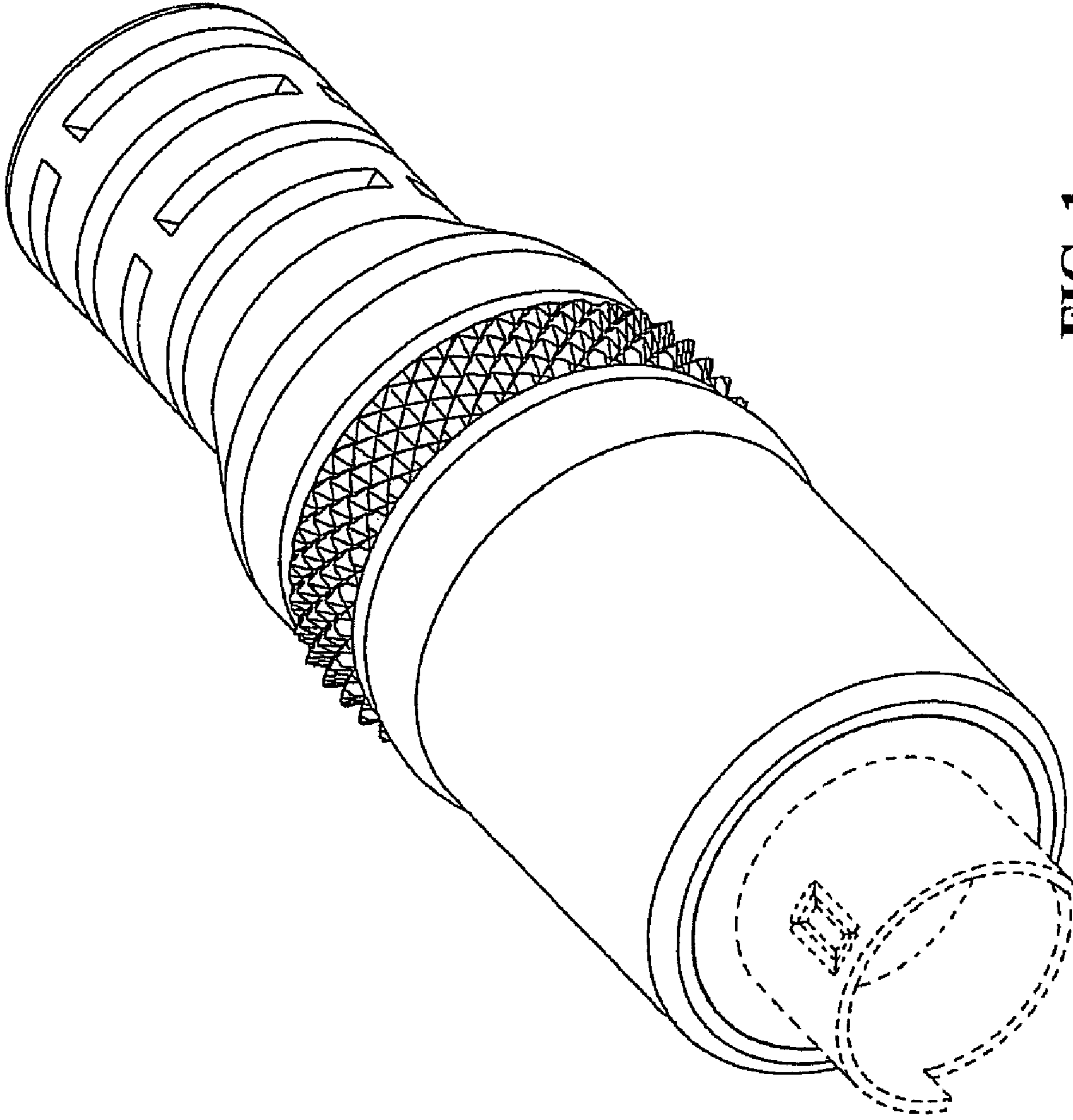


FIG. 1

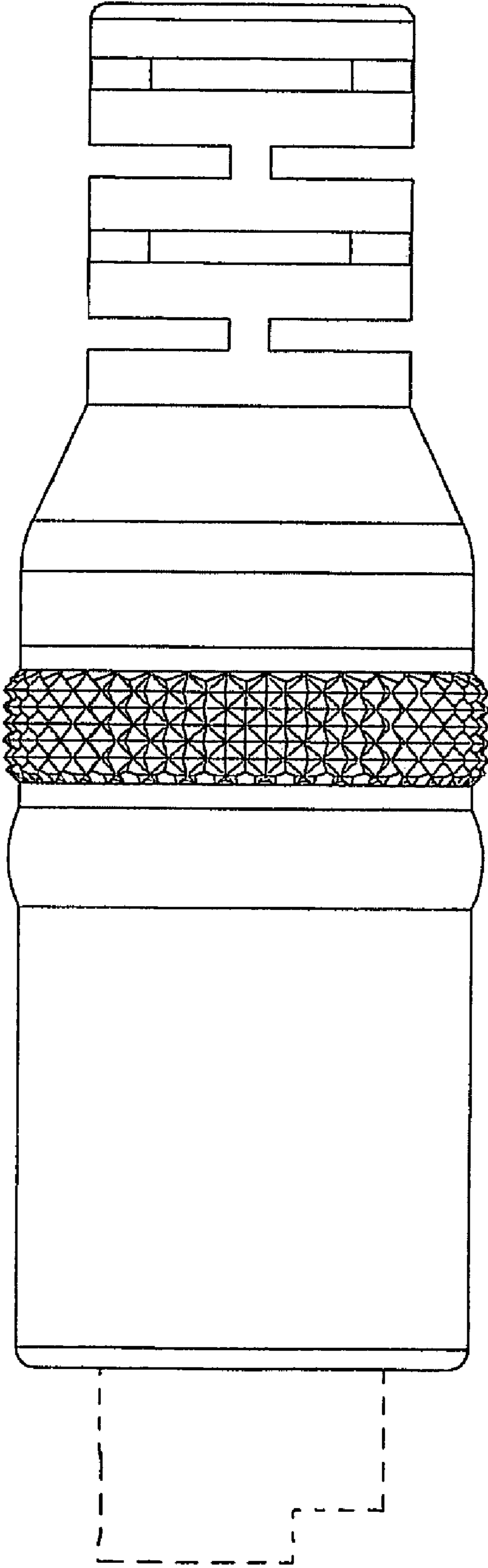


FIG. 2

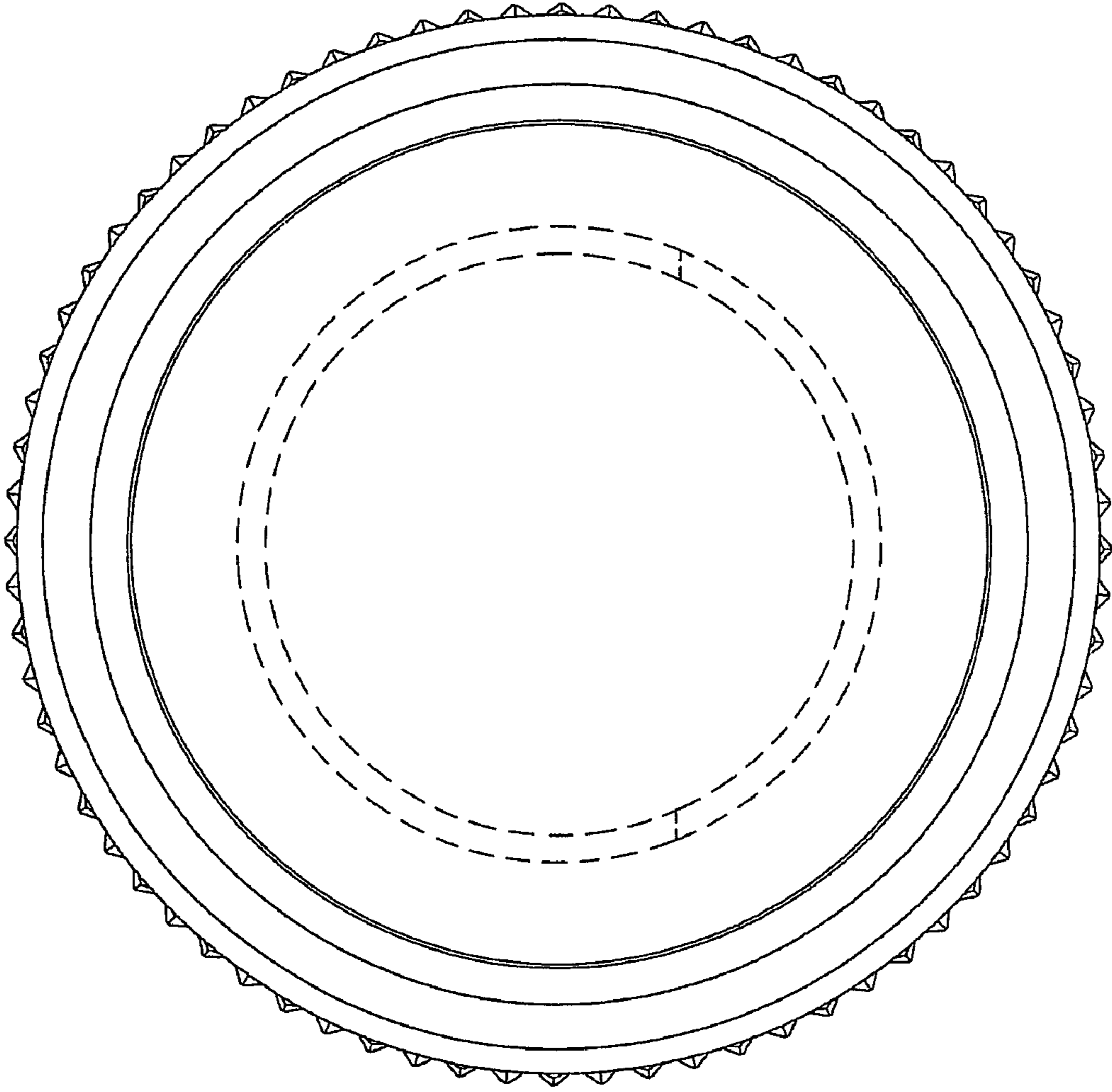


FIG. 3

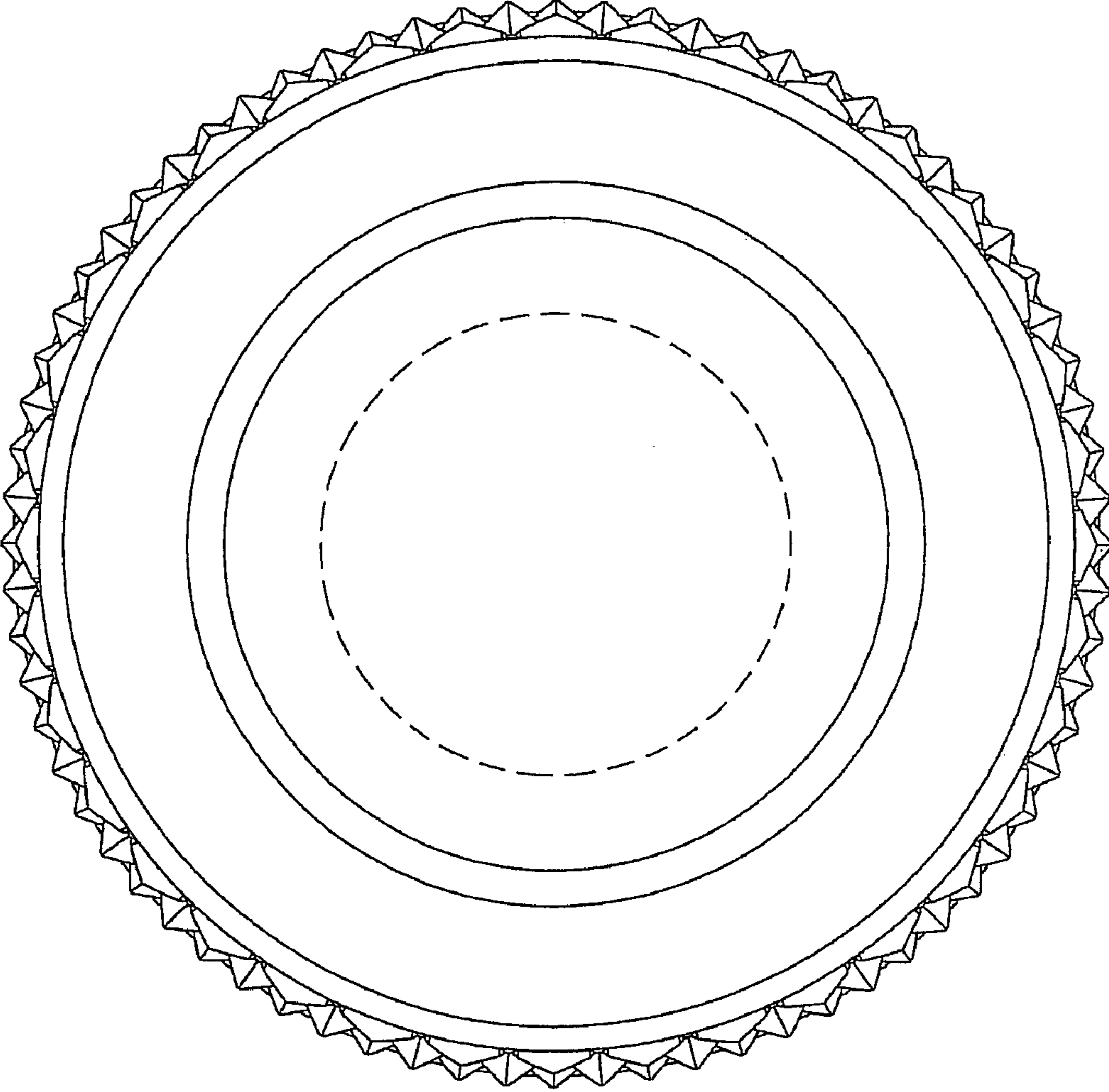


FIG. 4

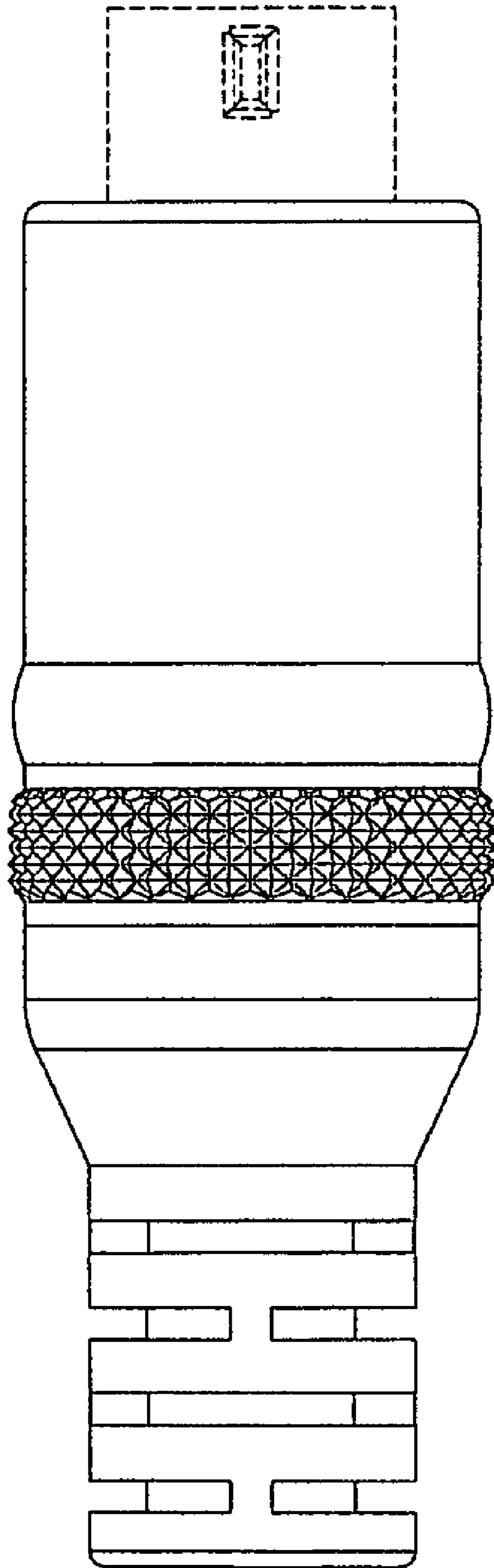


FIG. 5

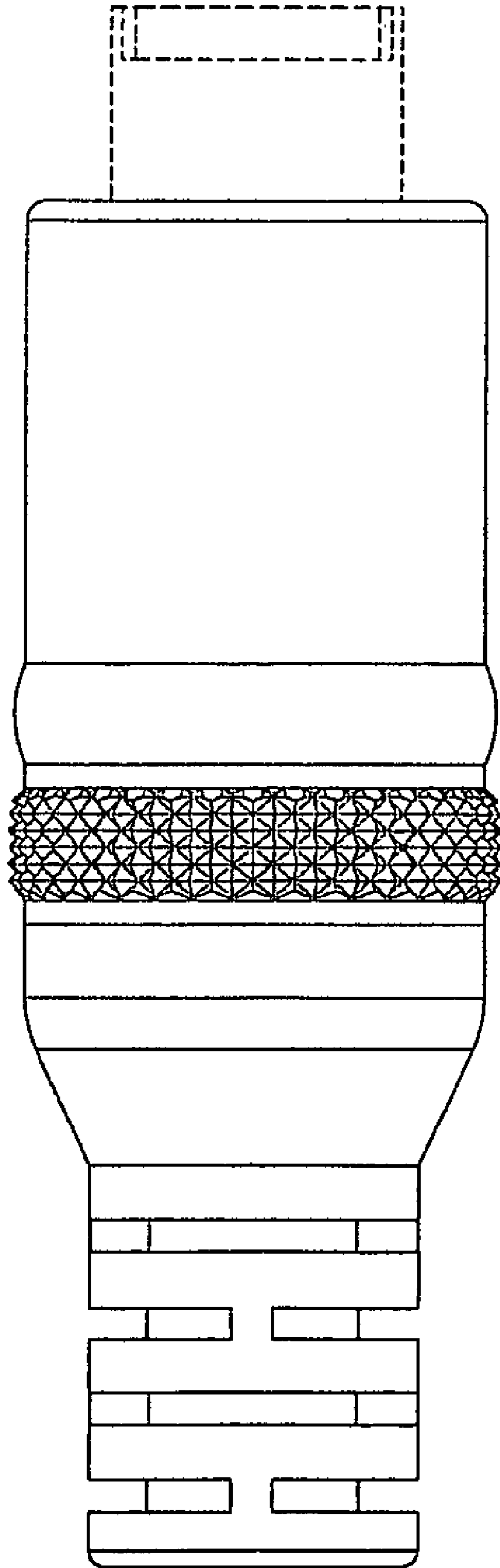


FIG. 6