



US00D610988S

(12) **United States Design Patent**  
**Oohashi et al.**

(10) **Patent No.:** **US D610,988 S**  
(45) **Date of Patent:** **\*\* Mar. 2, 2010**

(54) **ELECTRIC MOTOR**

(75) Inventors: **Masaaki Oohashi**, Nagano Prefecture (JP); **Mitsuaki Shioiri**, Nagano Prefecture (JP); **Yasushi Yoda**, Nagano Prefecture (JP); **Nobutoshi Nakamura**, Nagano Prefecture (JP); **Takao Oshimori**, Nagano Prefecture (JP)

(73) Assignee: **Sanyo Denki Co., Ltd.**, Tokyo (JP)

(\*\*) Term: **14 Years**

(21) Appl. No.: **29/337,355**

(22) Filed: **May 20, 2009**

(51) **LOC (9) Cl.** ..... **13-01**

(52) **U.S. Cl.** ..... **D13/112**

(58) **Field of Classification Search** ..... D13/112, D13/101, 113, 114, 118, 122, 199; D15/5; 29/596–598; 310/40 R, 42, 43, 58, 85, 88, 310/89, 90, 91; 322/16, 39

See application file for complete search history.

(56) **References Cited**

**U.S. PATENT DOCUMENTS**

4,244,098	A *	1/1981	Barcus	.....	29/596
D287,715	S *	1/1987	Pittman et al.	.....	D13/112
4,933,582	A *	6/1990	Hata et al.	.....	310/154.14
4,988,905	A *	1/1991	Tolmie, Jr.	.....	310/68 B
D336,890	S *	6/1993	Hirose et al.	.....	D13/112
D397,992	S *	9/1998	Shimomura et al.	.....	D13/112
D424,516	S *	5/2000	Friedrichsen	.....	D13/112

D457,493	S *	5/2002	Borges	.....	D13/112
D462,937	S *	9/2002	Nord	.....	D13/112
D511,138	S *	11/2005	Kwan	.....	D13/112
D525,195	S *	7/2006	Palese	.....	D13/112
D557,210	S *	12/2007	Liu	.....	D13/112

\* cited by examiner

*Primary Examiner*—Prabhakar Deshmukh

*Assistant Examiner*—Derrick Holland

(74) *Attorney, Agent, or Firm*—Rankin, Hill & Clark LLP

(57) **CLAIM**

The ornamental design for an electric motor, as shown and described.

**DESCRIPTION**

FIG. 1 is a front side elevation view of an electric motor embodying our design;

FIG. 2 is a rear side elevation view of the electric motor.

FIG. 3 is a right side elevation view of the electric motor.

FIG. 4 is a left side elevation view of the electric motor.

FIG. 5 is a top plan view of the electric motor.

FIG. 6 is a bottom plan view of the electric motor.

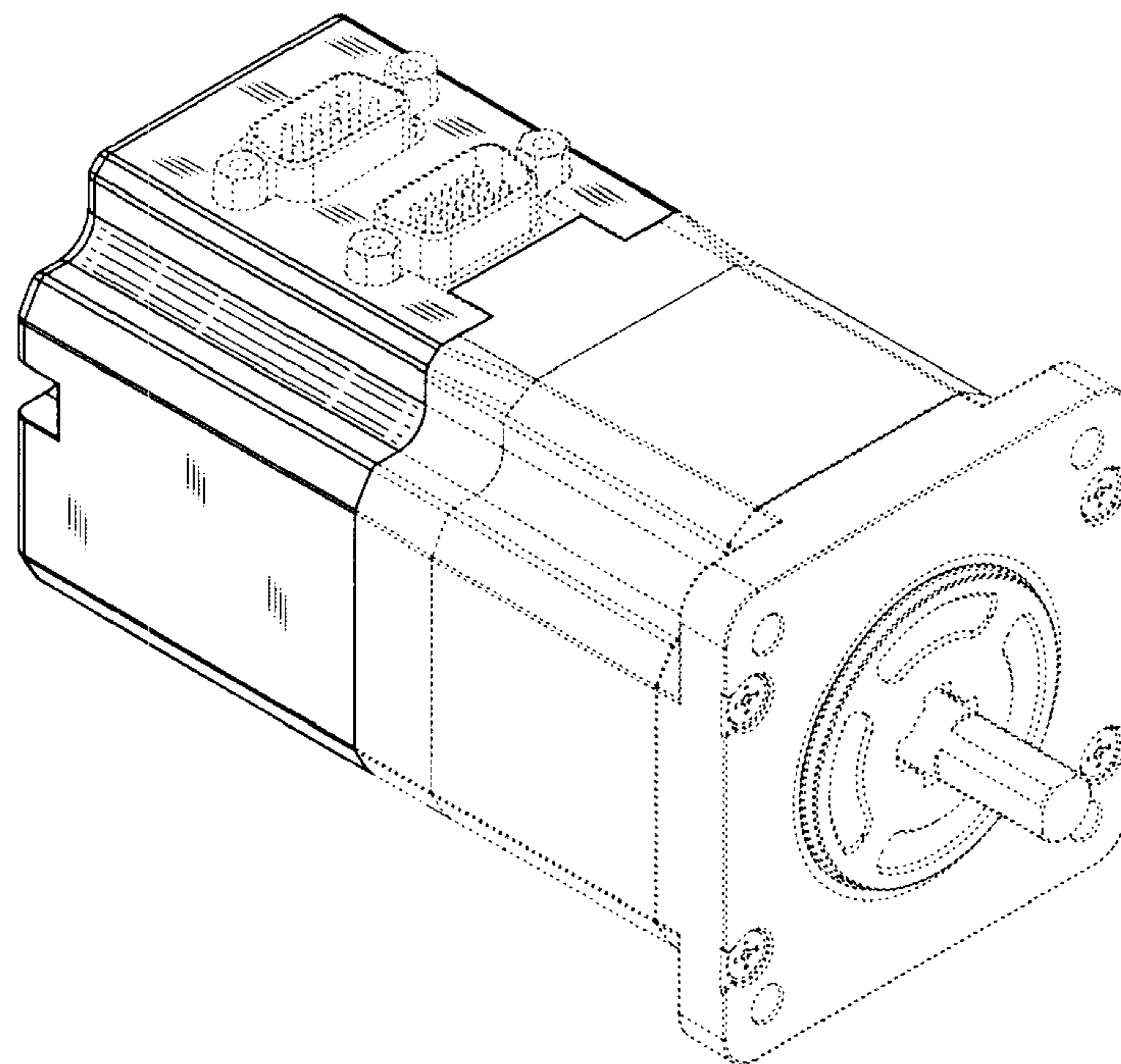
FIG. 7 is a cross sectional view as taken along 7—7 line in FIG. 3, omitting the interior mechanism.

FIG. 8 is a front perspective view of the electric motor; and,

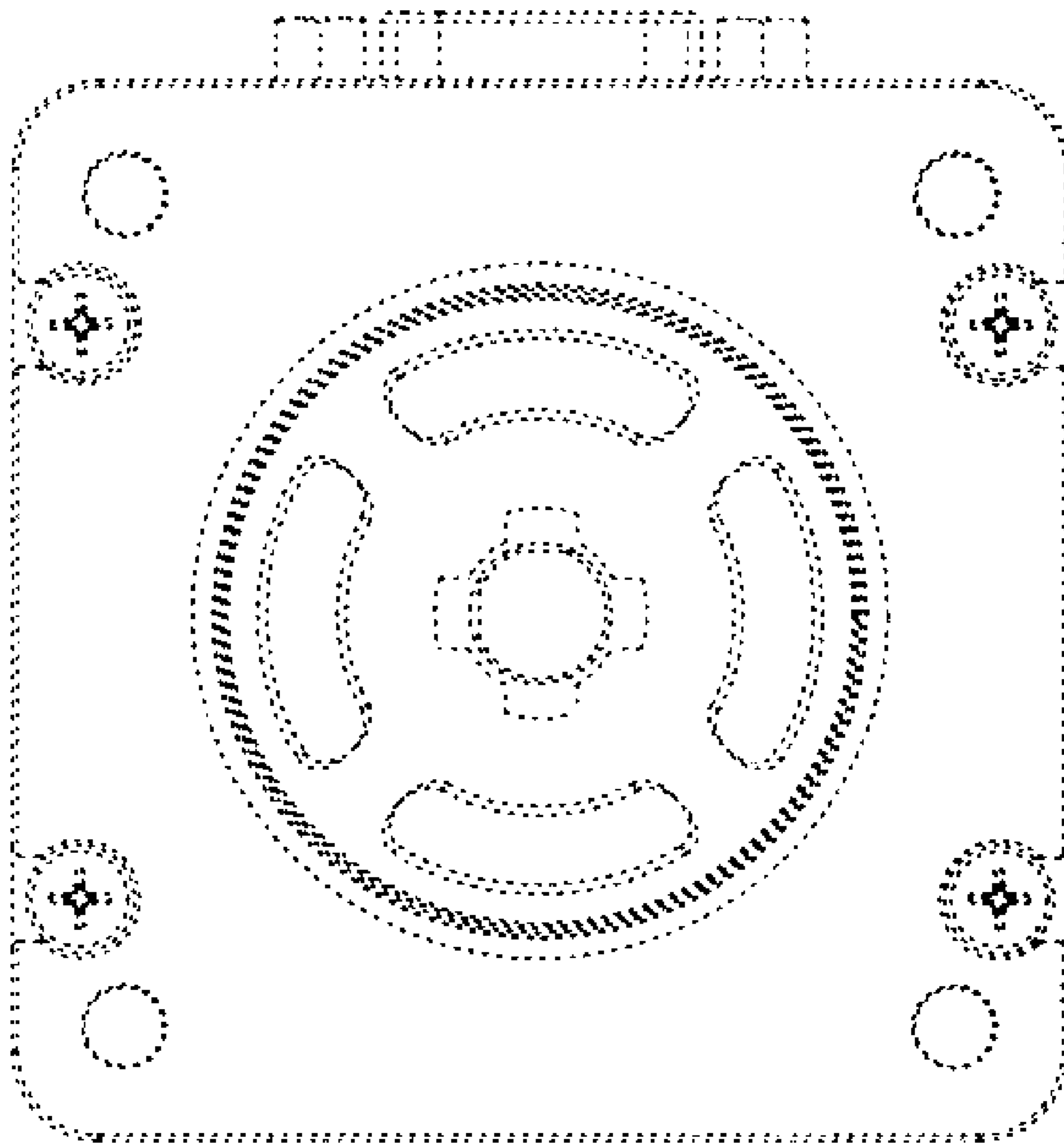
FIG. 9 is a rear perspective view of the electric motor.

The broken lines shown represent unclaimed subject matter and form no part of the claimed design.

**1 Claim, 9 Drawing Sheets**



# FIG. 1



# FIG. 2

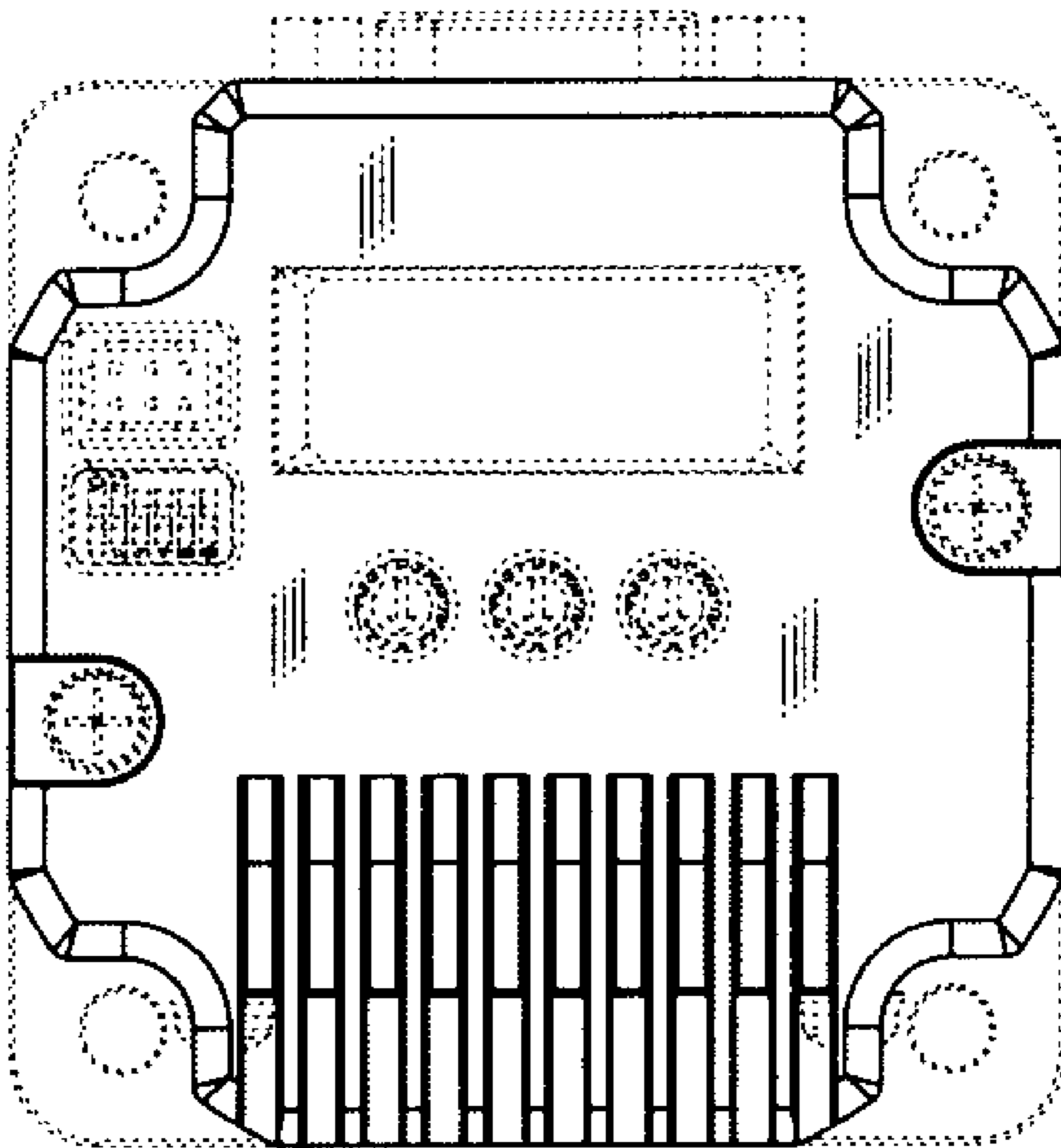


FIG.3

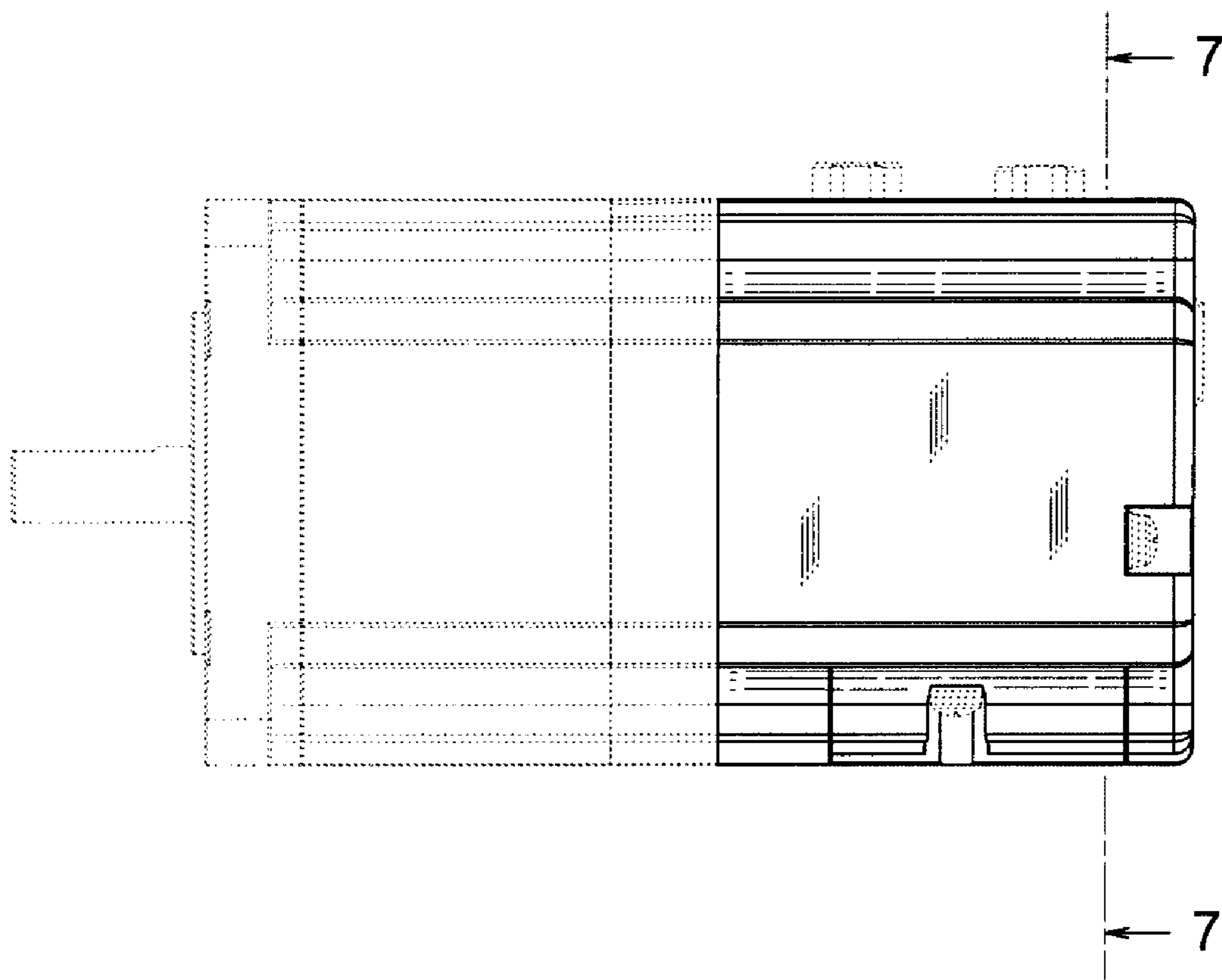


FIG. 4

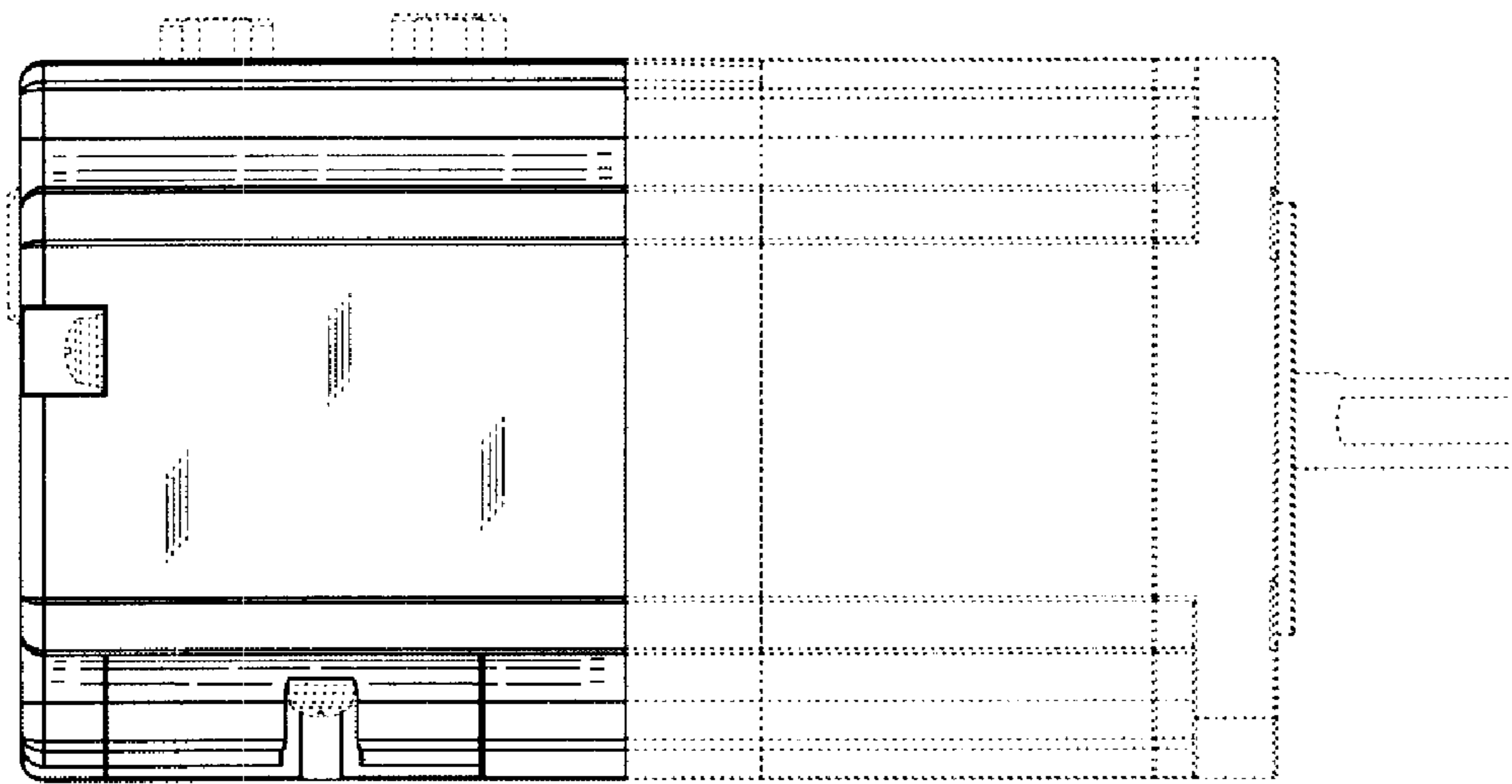


FIG. 5

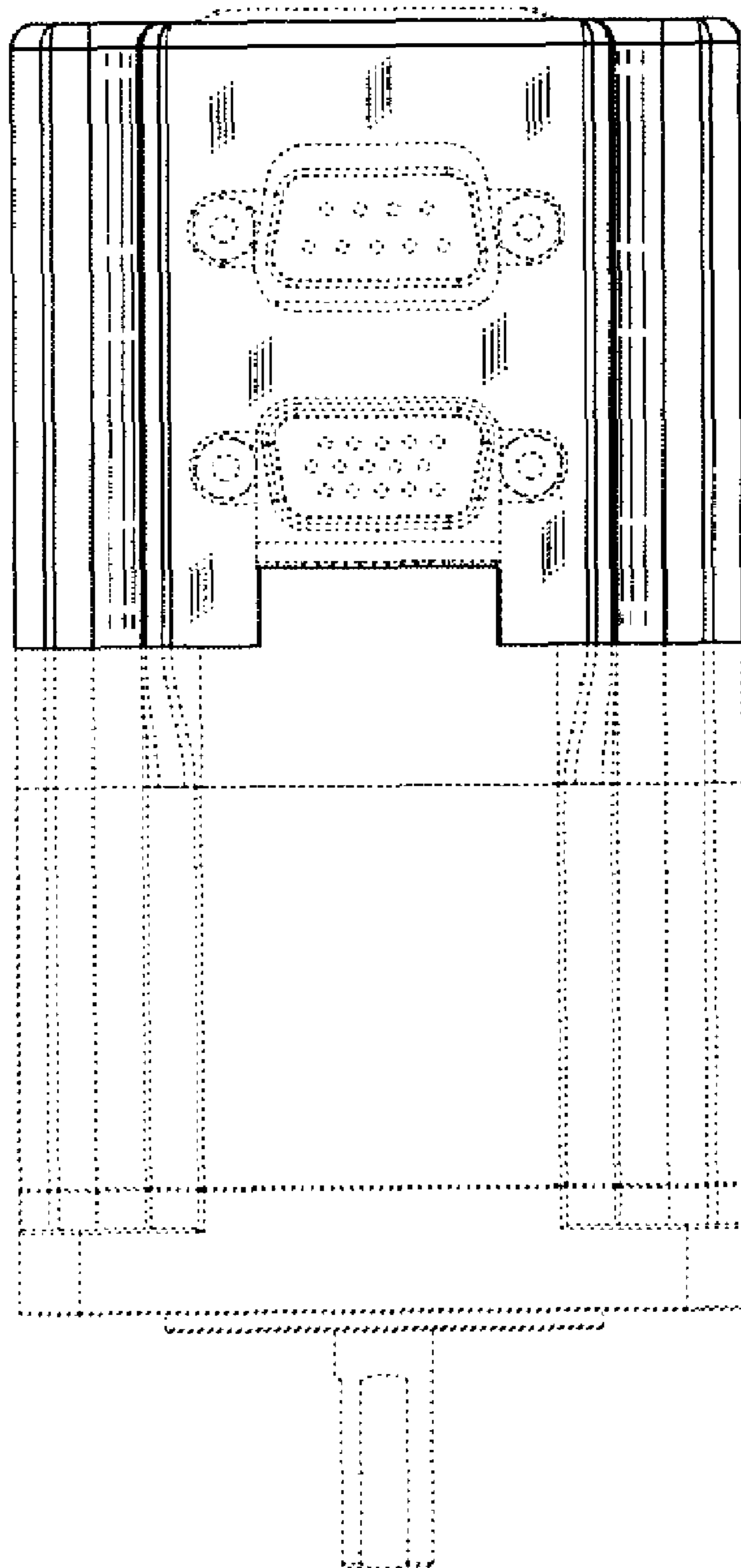
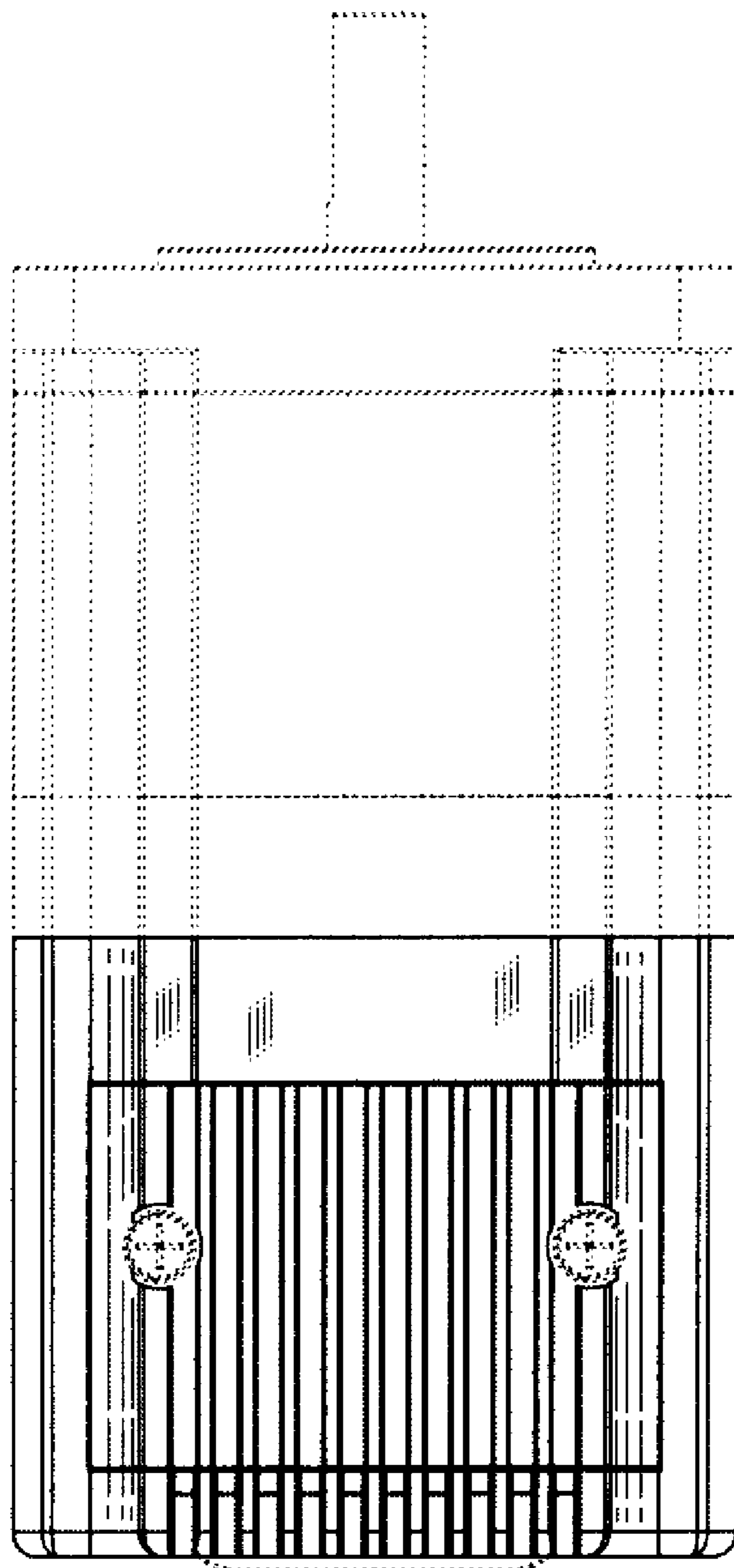


FIG. 6



# FIG. 7

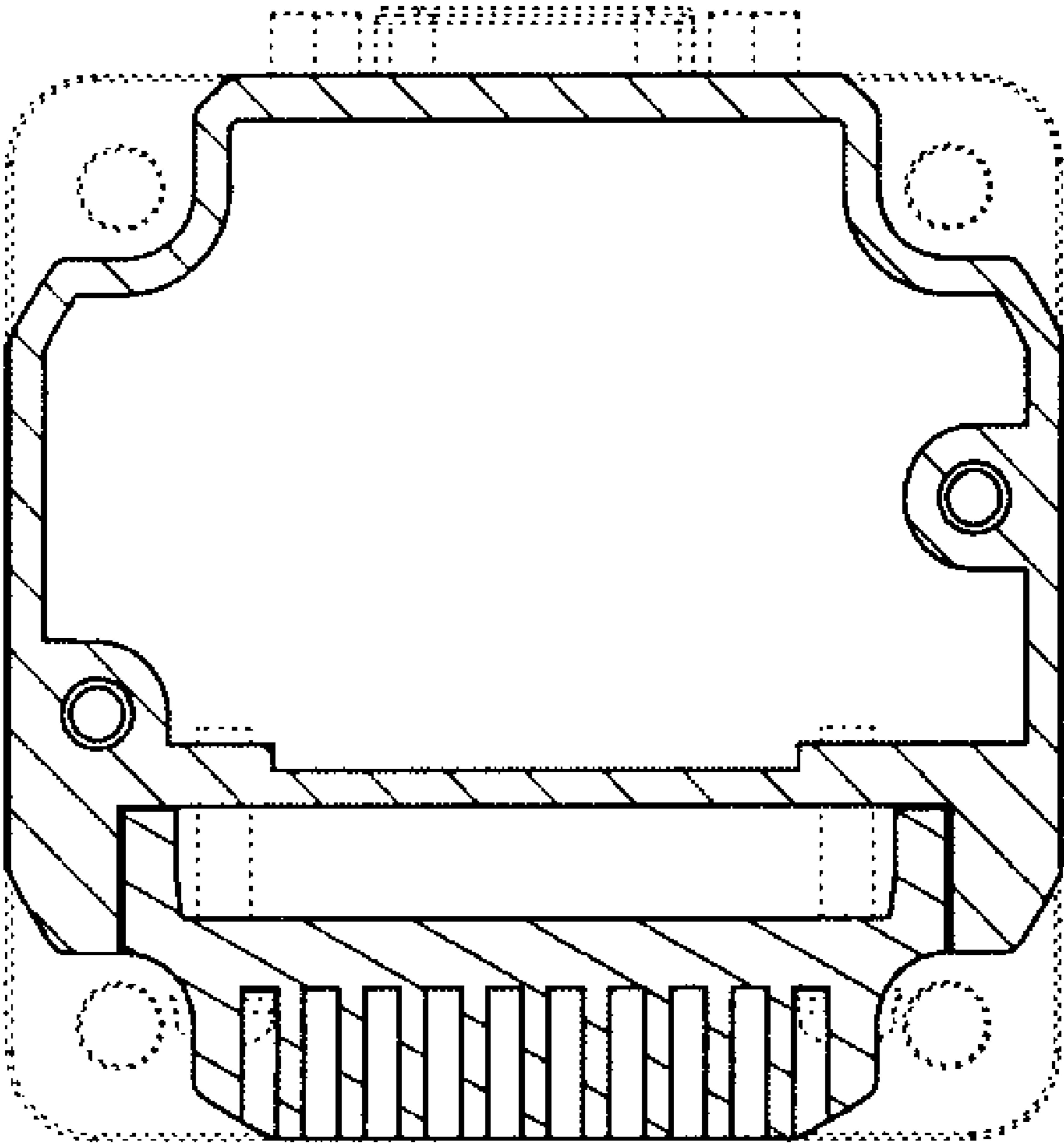




FIG.8

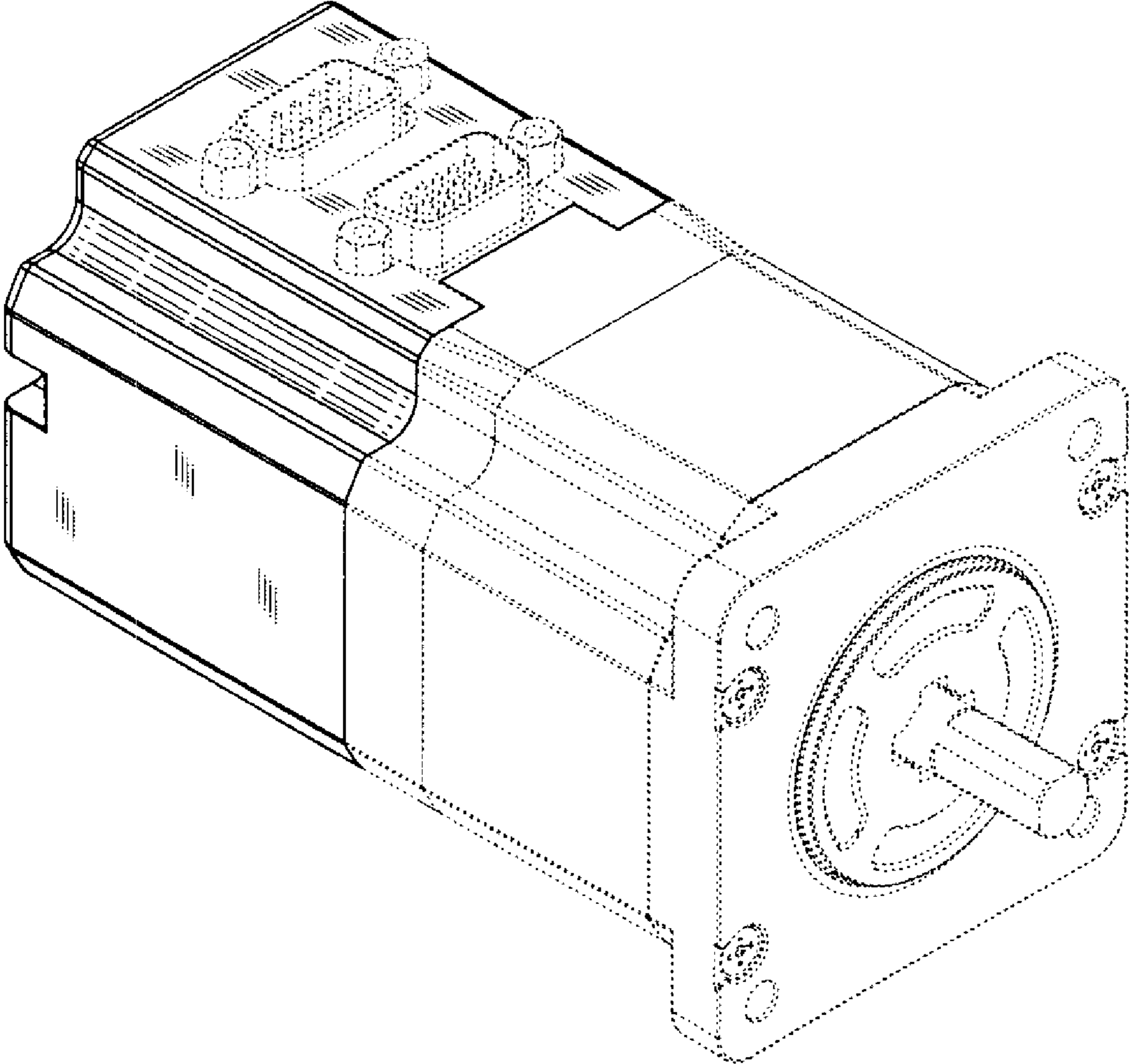
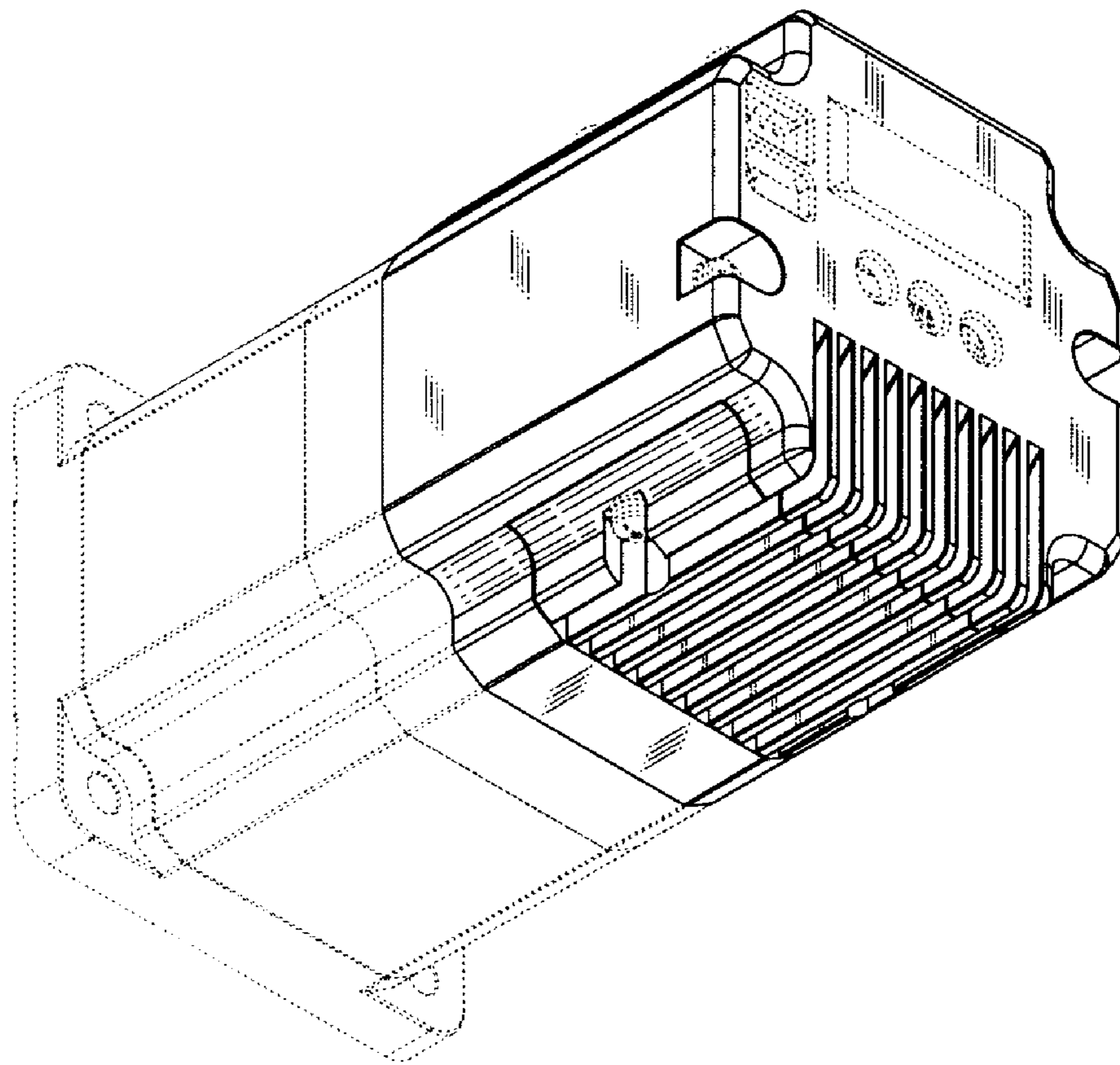


FIG. 9



UNITED STATES PATENT AND TRADEMARK OFFICE  
**CERTIFICATE OF CORRECTION**

PATENT NO. : D610,988 S  
APPLICATION NO. : 29/337355  
DATED : March 2, 2010  
INVENTOR(S) : Oohashi et al.

Page 1 of 1

It is certified that error appears in the above-identified patent and that said Letters Patent is hereby corrected as shown below:

On the Title Page, in Column 1, below Item (22), insert -- (30) Foreign Application Priority Data  
Nov. 21, 2008 (JP).....2008-030087 --

Signed and Sealed this  
Thirty-first Day of May, 2011

A handwritten signature in black ink that reads "David J. Kappos". The signature is written in a cursive style with a large initial "D" and "K".

David J. Kappos  
*Director of the United States Patent and Trademark Office*