



US00D610987S

(12) **United States Design Patent**  
**Oohashi et al.**

(10) **Patent No.:** **US D610,987 S**  
(45) **Date of Patent:** **\*\* Mar. 2, 2010**

(54) **ELECTRIC MOTOR**

(75) Inventors: **Masaaki Oohashi**, Nagano Prefecture (JP); **Mitsuaki Shioiri**, Nagano Prefecture (JP); **Yasushi Yoda**, Nagano Prefecture (JP); **Nobutoshi Nakamura**, Nagano Prefecture (JP); **Takao Oshimori**, Nagano Prefecture (JP)

(73) Assignee: **Sanyo Denki Co., Ltd.**, Tokyo (JP)

(\*\*) Term: **14 Years**

(21) Appl. No.: **29/337,353**

(22) Filed: **May 20, 2009**

(30) **Foreign Application Priority Data**

Feb. 12, 2008 (JP) ..... 2008-030088

(51) **LOC (9) Cl.** ..... **13-01**

(52) **U.S. Cl.** ..... **D13/112**

(58) **Field of Classification Search** ..... D13/112, D13/101, 113, 114, 118, 122, 199; D15/5; 29/596-598; 310/40 R, 42, 43, 58, 85, 88, 310/89, 90, 91; 322/16, 39

See application file for complete search history.

(56) **References Cited**

**U.S. PATENT DOCUMENTS**

- 4,244,098 A \* 1/1981 Barcus ..... 29/596
- D287,715 S \* 1/1987 Pittman et al. .... D13/112
- 4,933,582 A \* 6/1990 Hata et al. .... 310/154.14
- 4,988,905 A \* 1/1991 Tolmie, Jr. .... 310/68 B
- D336,890 S \* 6/1993 Hirose et al. .... D13/112
- D397,992 S \* 9/1998 Shimomura et al. .... D13/112

- D424,516 S \* 5/2000 Friedrichsen ..... D13/112
- D457,493 S \* 5/2002 Borges ..... D13/112
- D462,937 S \* 9/2002 Nord ..... D13/112
- D511,138 S \* 11/2005 Kwan ..... D13/112
- D525,195 S \* 7/2006 Palese ..... D13/112
- D557,210 S \* 12/2007 Liu ..... D13/112

\* cited by examiner

*Primary Examiner*—Prabhakar Deshmukh

*Assistant Examiner*—Derrick Holland

(74) *Attorney, Agent, or Firm*—Rankin, Hill & Clark LLP

(57) **CLAIM**

The ornamental design for an electric motor, as shown and described.

**DESCRIPTION**

FIG. 1 is a front side elevation view of an electric motor embodying our design;

FIG. 2 is a rear side elevation view of the electric motor.

FIG. 3 is a right side elevation view of the electric motor.

FIG. 4 is a left side elevation view of the electric motor.

FIG. 5 is a top plan view of the electric motor.

FIG. 6 is a bottom plan view of the electric motor.

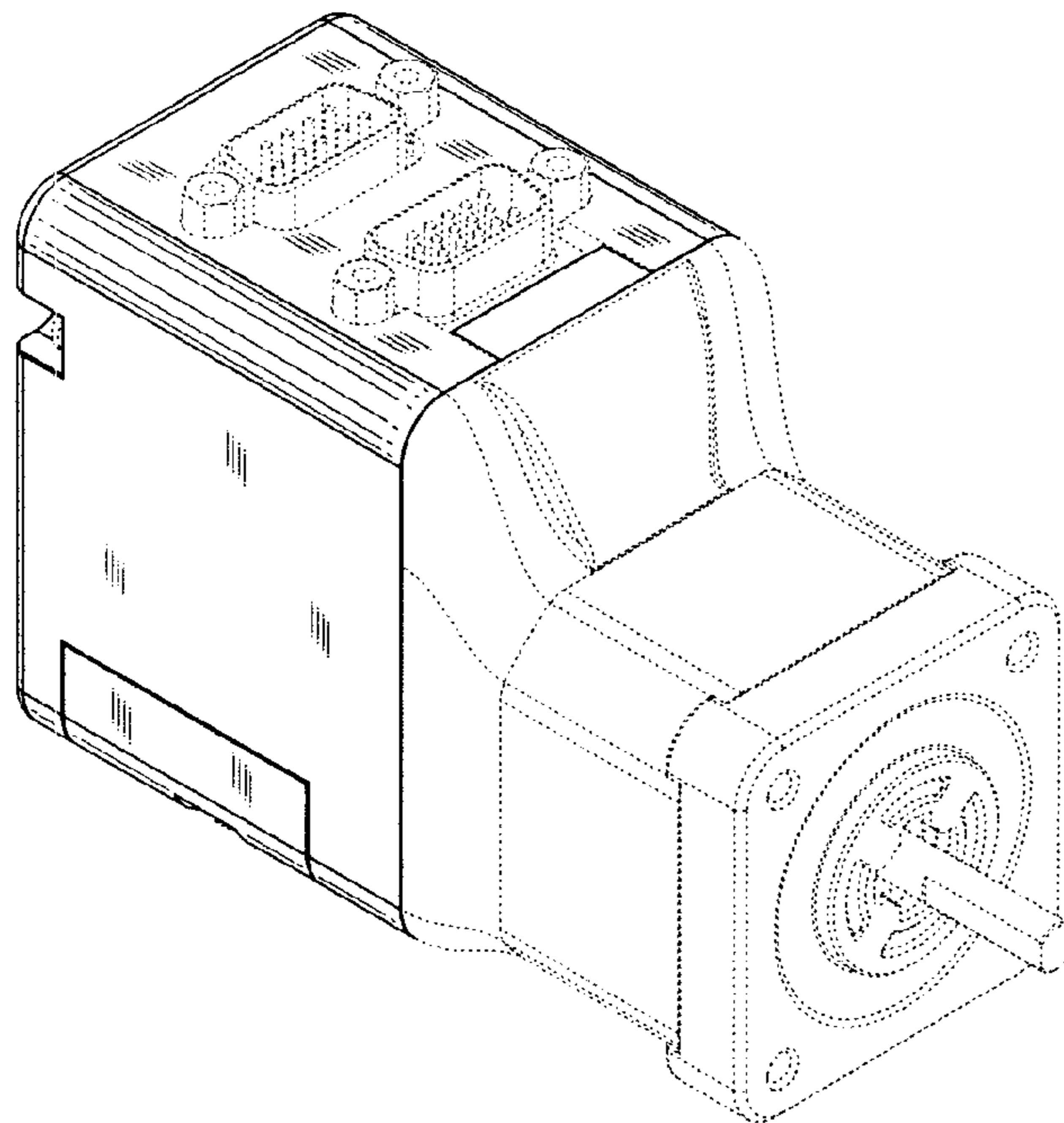
FIG. 7 is a cross sectional view as taken along 7—7 line in FIG. 3, omitting the interior mechanism.

FIG. 8 is a front perspective view of the electric motor; and,

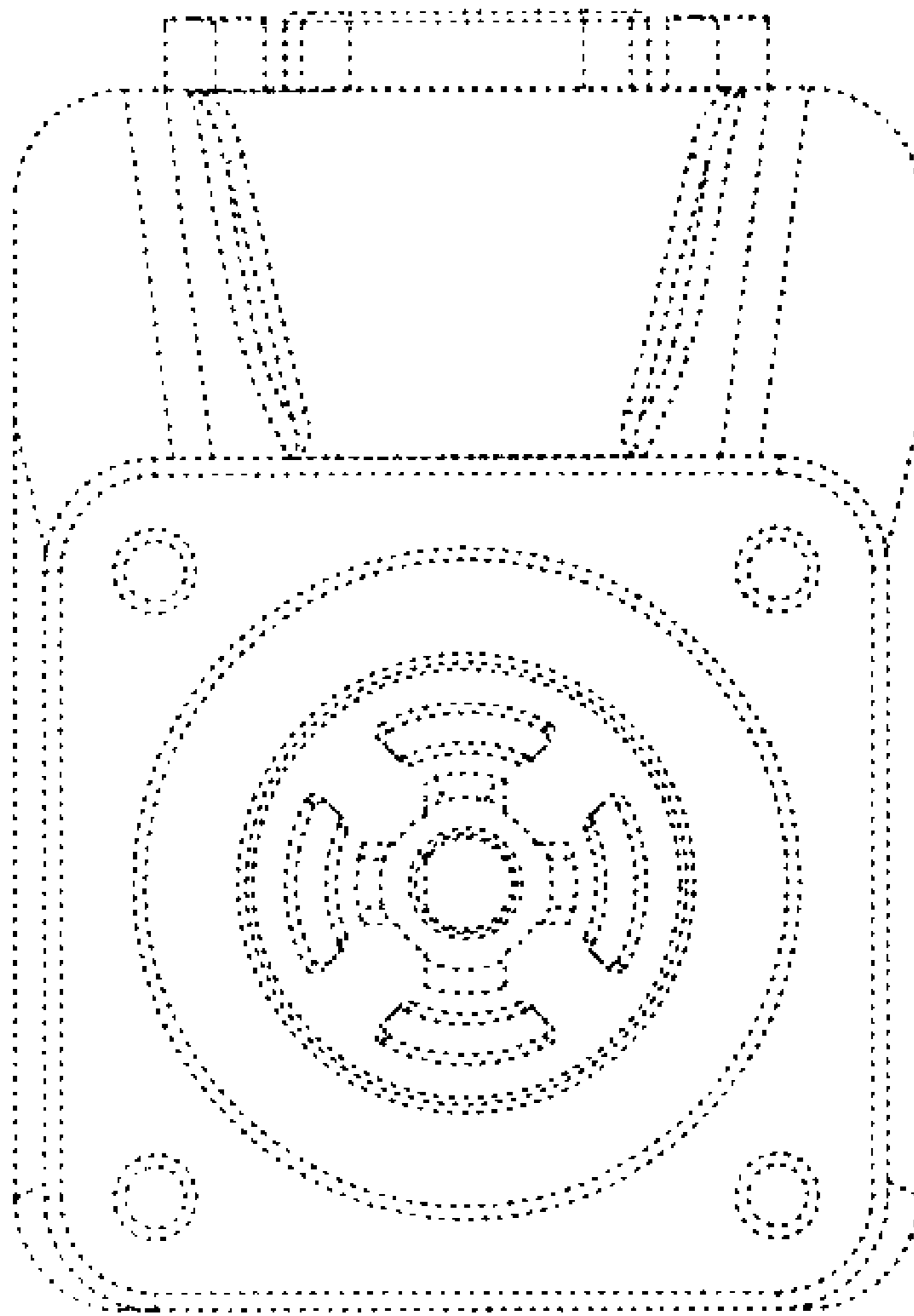
FIG. 9 is a rear perspective view of the electric motor.

The broken lines shown represent unclaimed subject matter and form no part of the claimed design.

**1 Claim, 9 Drawing Sheets**



# FIG. 1



# FIG. 2

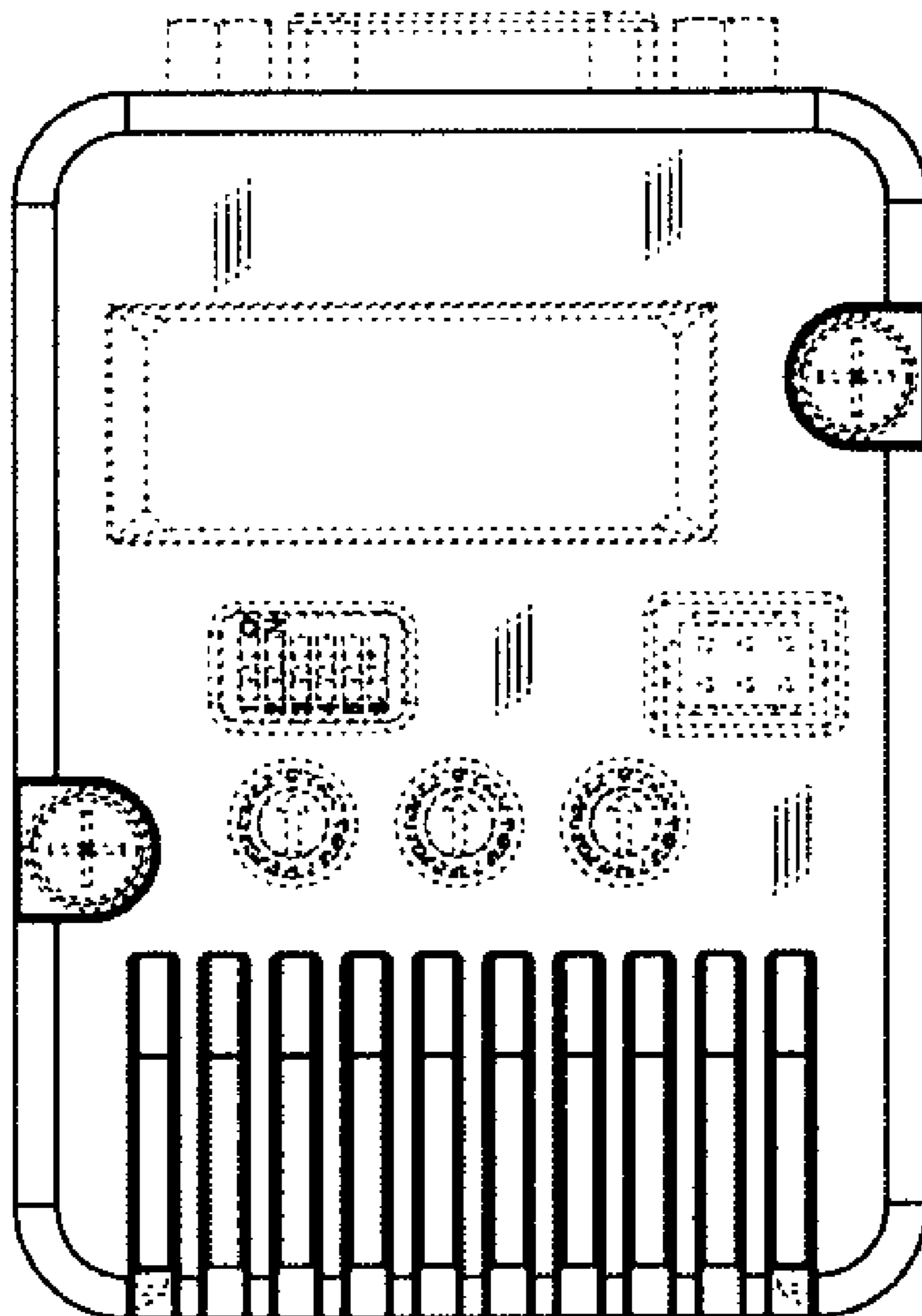


FIG.3

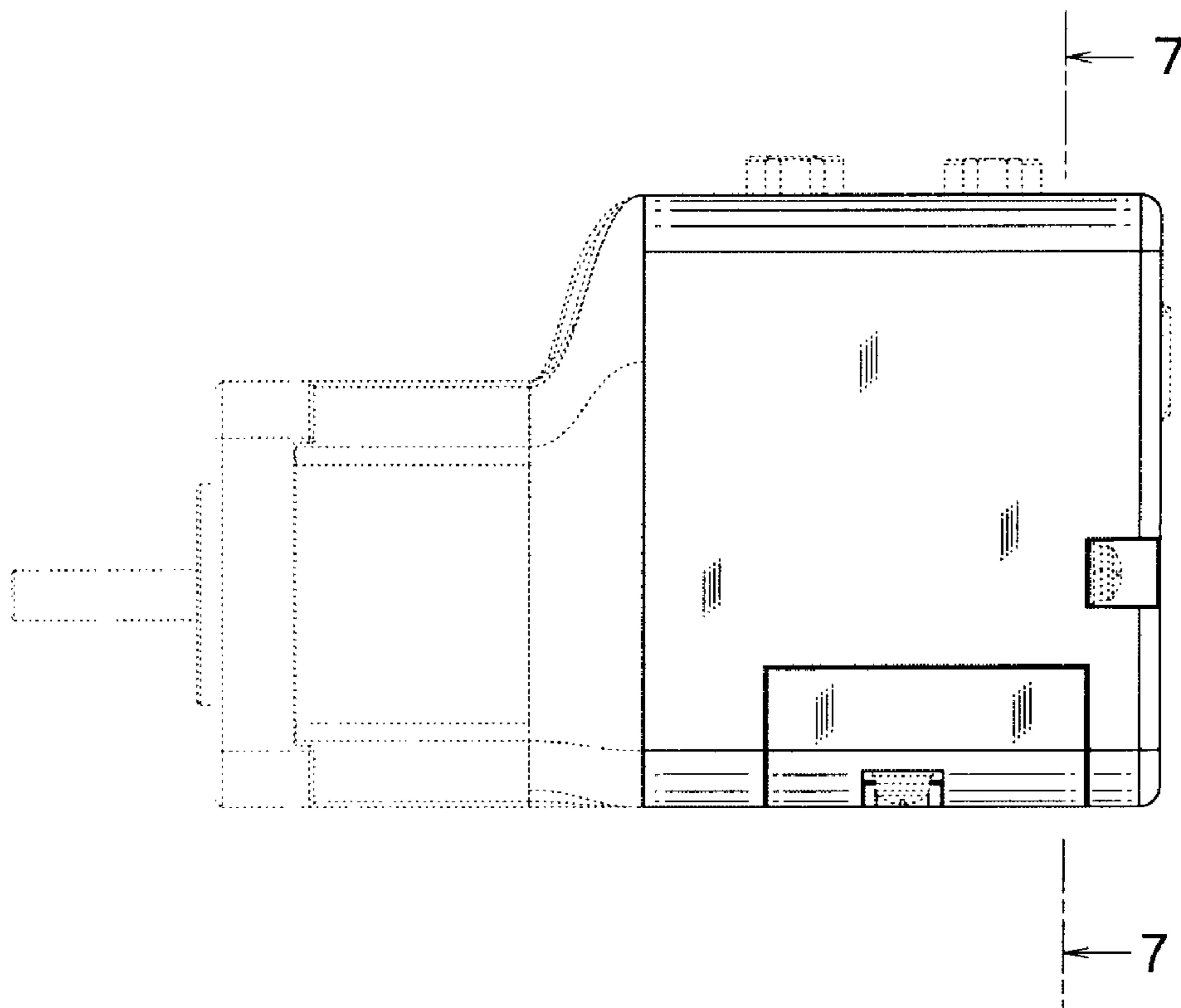


FIG. 4

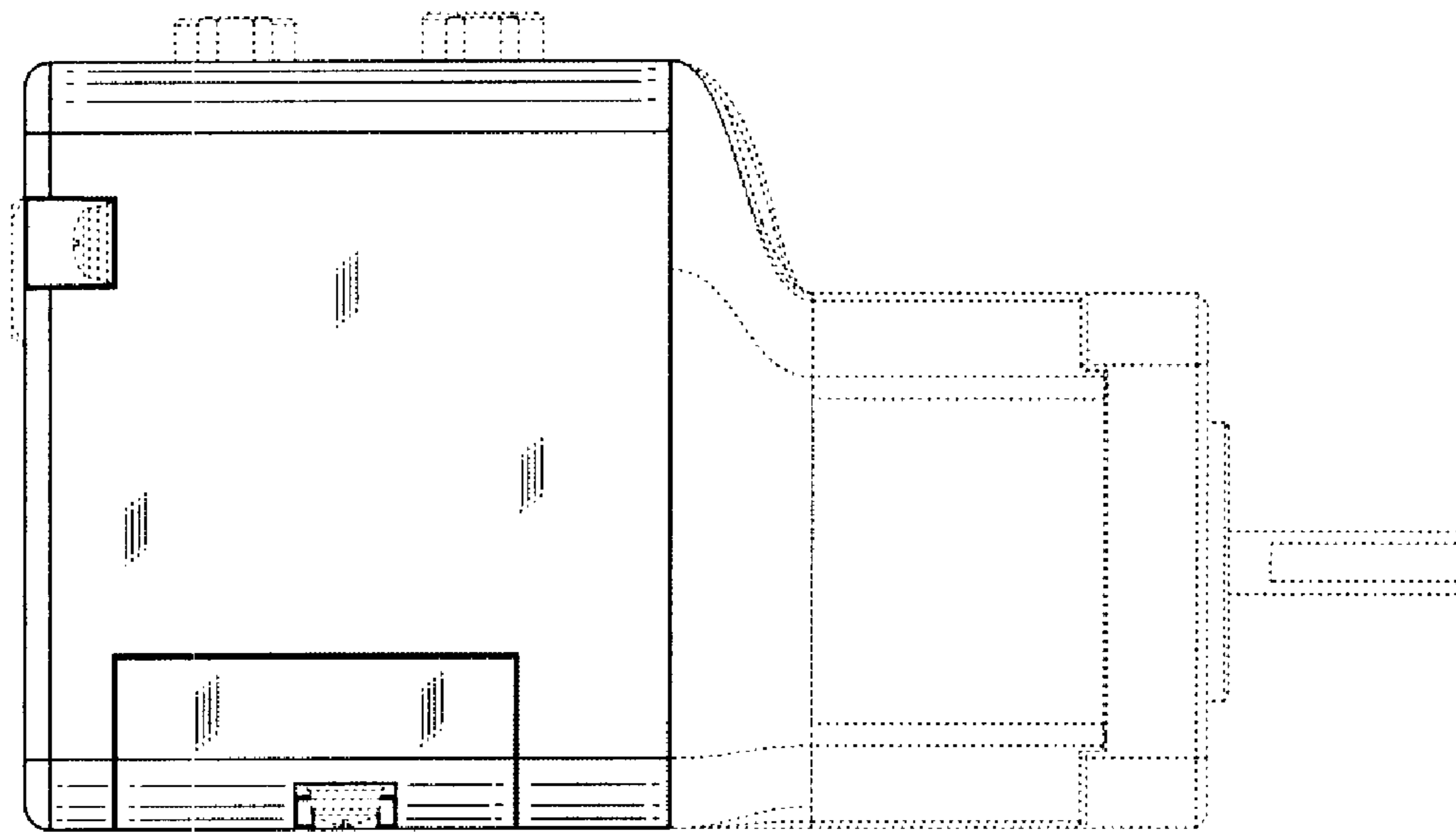


FIG. 5

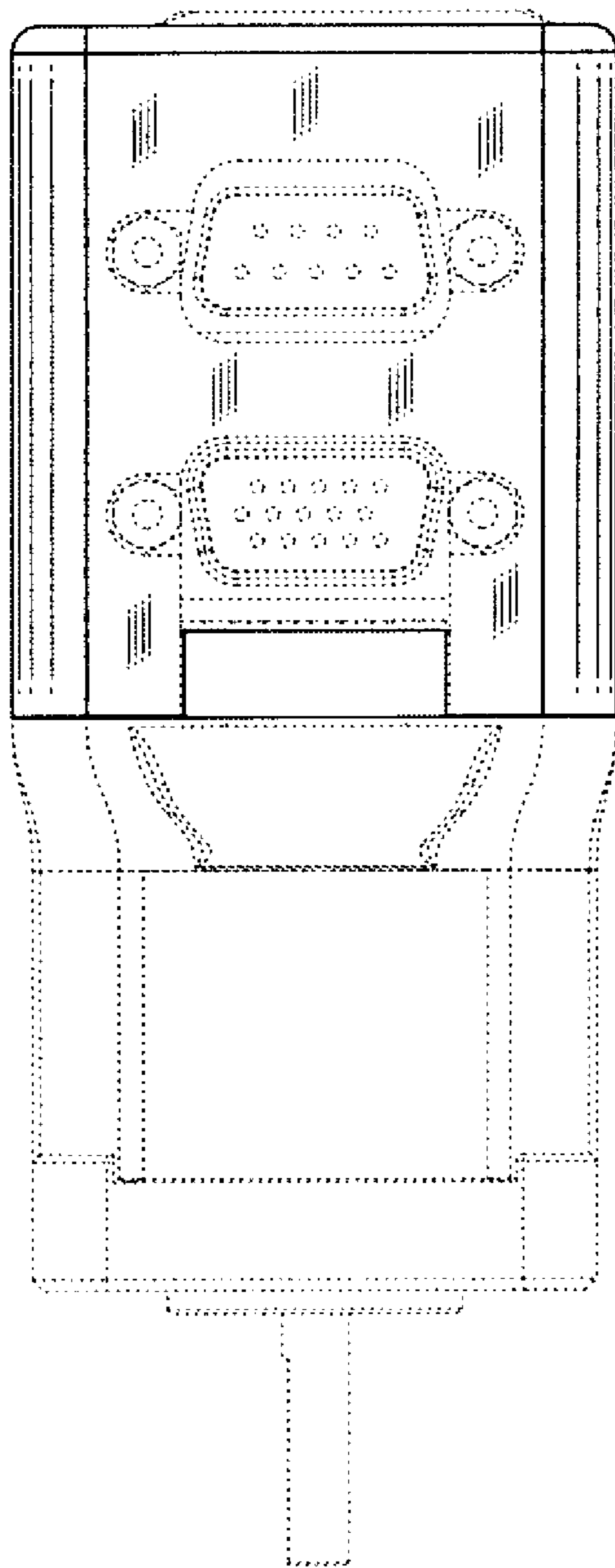
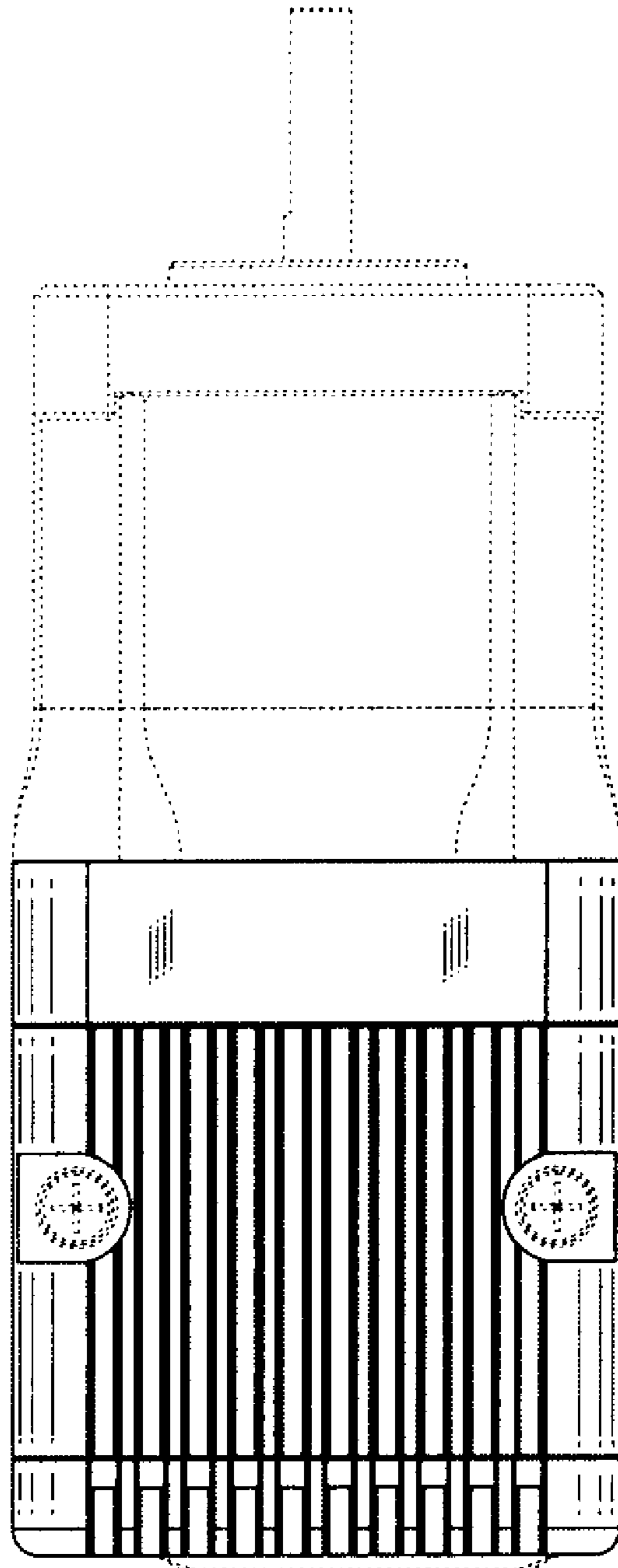


FIG. 6



# FIG. 7

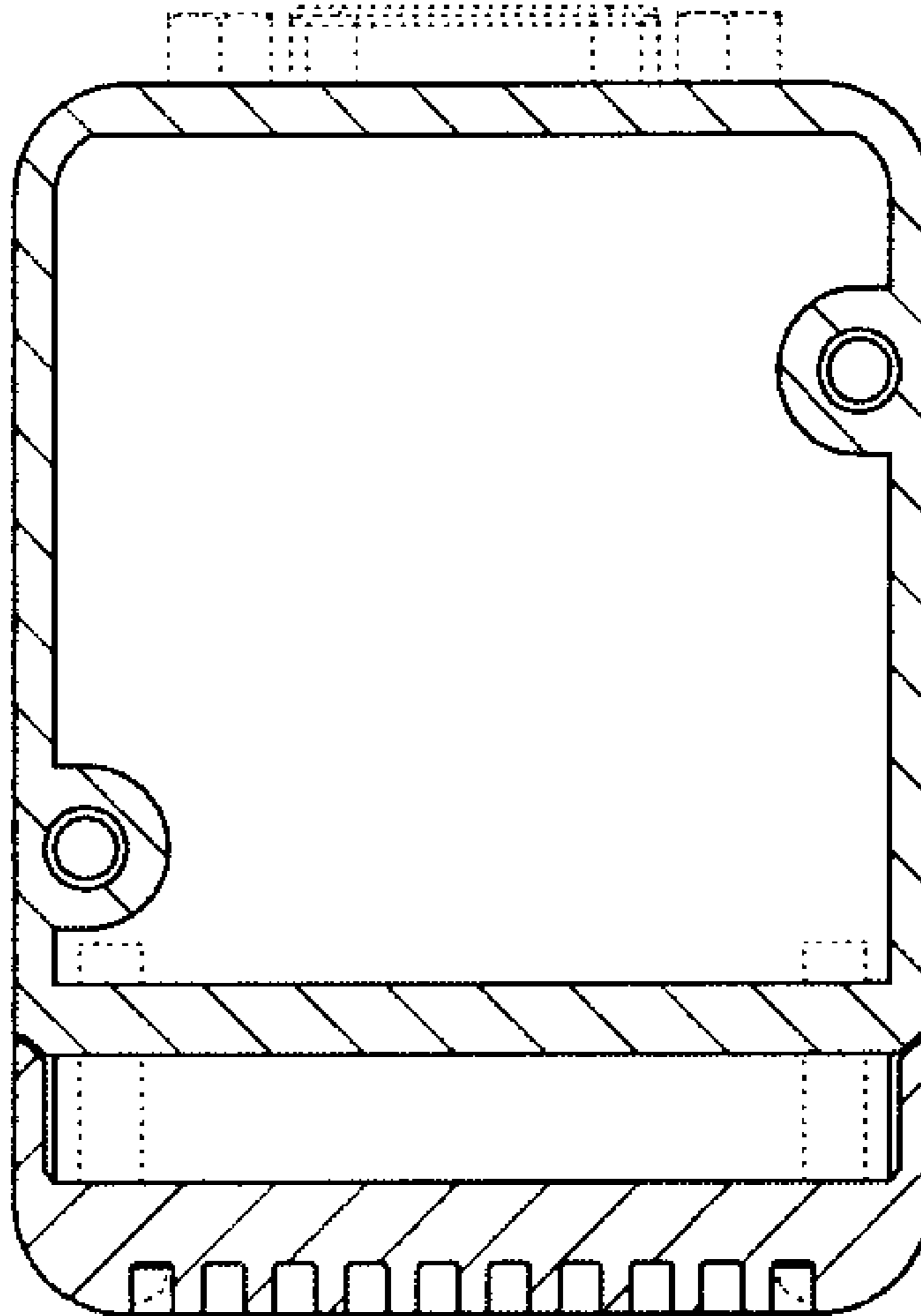




FIG. 8

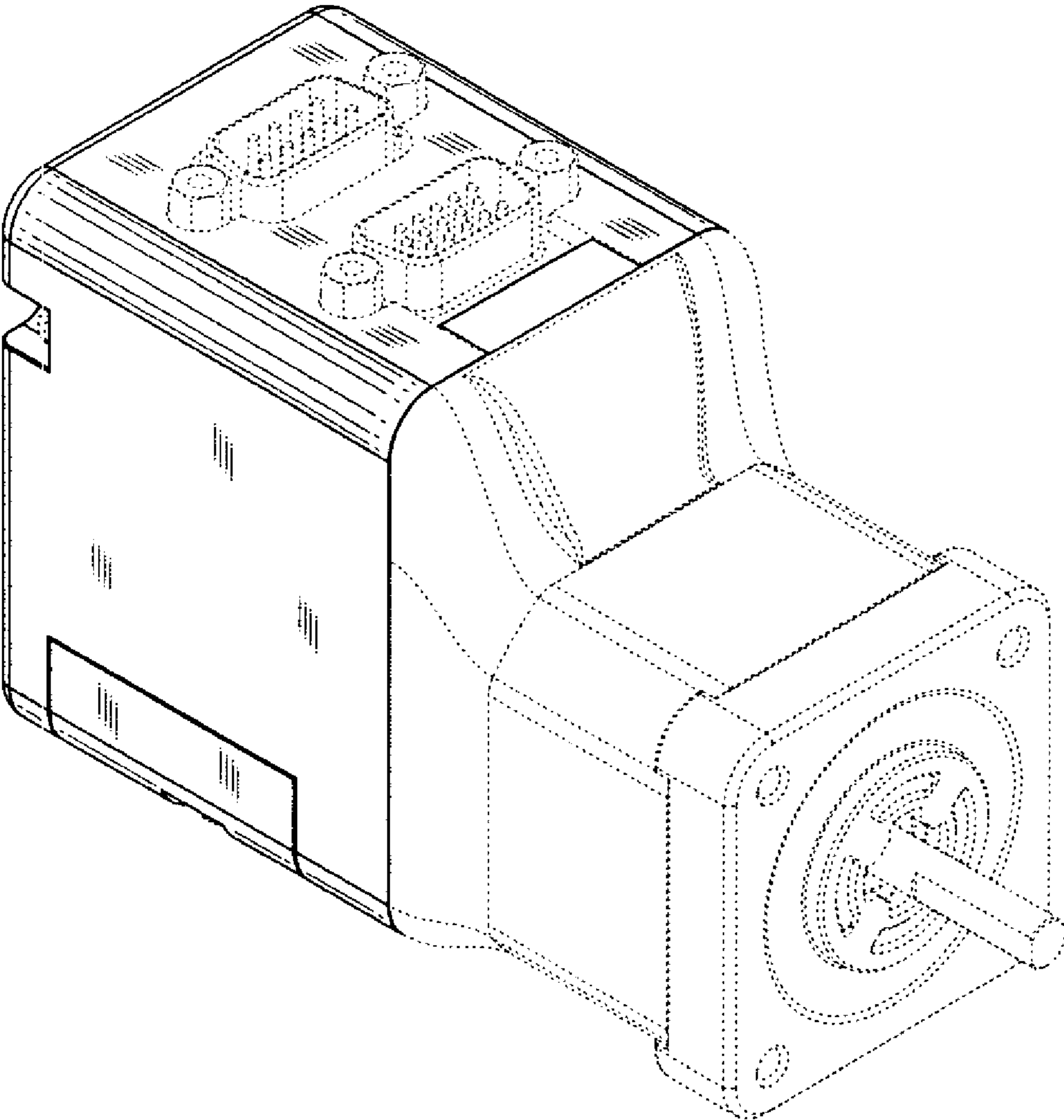
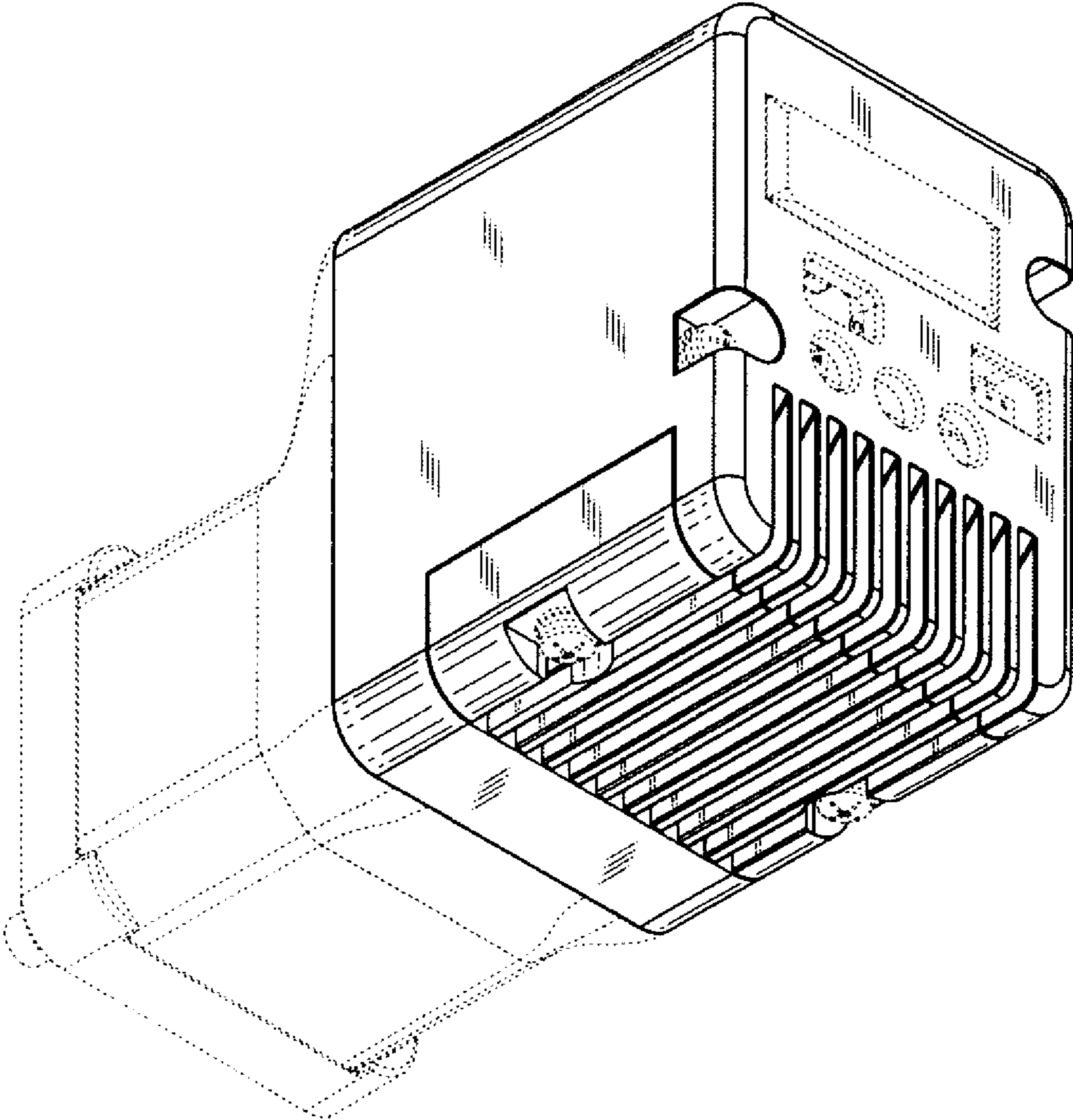


FIG. 9



UNITED STATES PATENT AND TRADEMARK OFFICE  
**CERTIFICATE OF CORRECTION**

PATENT NO. : Des. 610,987 S  
APPLICATION NO. : 29/337353  
DATED : March 2, 2010  
INVENTOR(S) : Oohashi et al.

Page 1 of 1

It is certified that error appears in the above-identified patent and that said Letters Patent is hereby corrected as shown below:

On the Title Page, item (30), under "Foreign Application Priority Data", in Column 1,  
Line 1, delete "Feb. 12, 2008" and insert -- Nov. 21, 2008 --

Signed and Sealed this

Twentieth Day of April, 2010

A handwritten signature in black ink that reads "David J. Kappos". The signature is written in a cursive, flowing style.

David J. Kappos  
*Director of the United States Patent and Trademark Office*