



US00D610986S

(12) **United States Design Patent**
Chen et al.

(10) **Patent No.:** **US D610,986 S**
(45) **Date of Patent:** **** Mar. 2, 2010**

(54) **PHOTOELECTRIC ENERGY TRANSDUCING APPARATUS**

(75) Inventors: **Jen-Shyan Chen**, Hsinchu (TW);
Chung-Zen Lin, Taipei (TW)

(73) Assignee: **Neobulb Technologies, Inc.** (BN)

(**) Term: **14 Years**

(21) Appl. No.: **29/337,350**

(22) Filed: **May 20, 2009**

(30) **Foreign Application Priority Data**

Dec. 31, 2008 (TW) 97307426

(51) **LOC (9) Cl.** **13-02**

(52) **U.S. Cl.** **D13/110; D13/101**

(58) **Field of Classification Search** D13/101,
D13/102, 110, 117, 118, 123, 133, 165, 184,
D13/199; 136/243, 246, 247, 251; 250/203.4,
250/214.1, 214 B, 214 C, 238, 239, 458.1;
338/15; 362/294, 295, 373, 800
See application file for complete search history.

(56) **References Cited**

U.S. PATENT DOCUMENTS

3,953,730 A * 4/1976 Henry et al. 250/227.28
3,963,920 A * 6/1976 Palmer 250/239

4,319,133 A * 3/1982 Currie et al. 250/214 B
4,405,915 A * 9/1983 Komatsu et al. 338/15
4,587,421 A * 5/1986 Robertson 250/239
5,362,960 A * 11/1994 Komatsu et al. 250/214.1
D470,462 S * 2/2003 Fayfield et al. D13/165
D487,723 S * 3/2004 Shimada D13/101
7,083,305 B2 * 8/2006 Galli 362/294
2005/0279949 A1 * 12/2005 Oldham et al. 250/458.1

* cited by examiner

Primary Examiner—Prabhakar Deshmukh

Assistant Examiner—Derrick Holland

(74) *Attorney, Agent, or Firm*—Thomas, Kayden,
Horstemeyer & Risley, LLP.

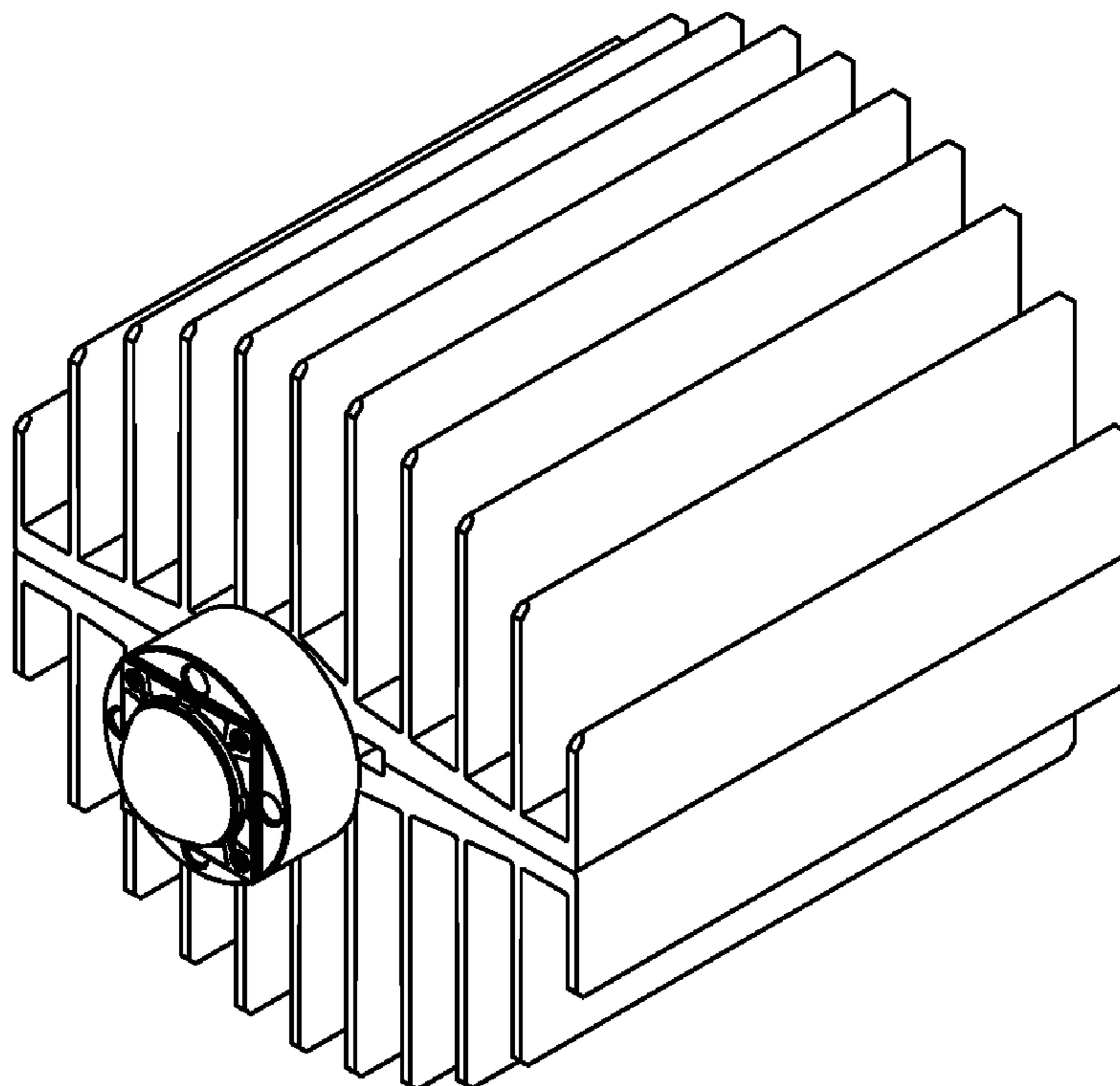
(57) **CLAIM**

The ornamental design for a photoelectric energy transducing apparatus, as shown and described.

DESCRIPTION

FIG. 1 is a perspective view of a photoelectric energy transducing apparatus showing our design;
FIG. 2 is a front elevation view thereof;
FIG. 3 is a rear elevation view thereof;
FIG. 4 is a left elevation view thereof;
FIG. 5 is a top plan view thereof; and,
FIG. 6 is a bottom plan view thereof.

1 Claim, 3 Drawing Sheets



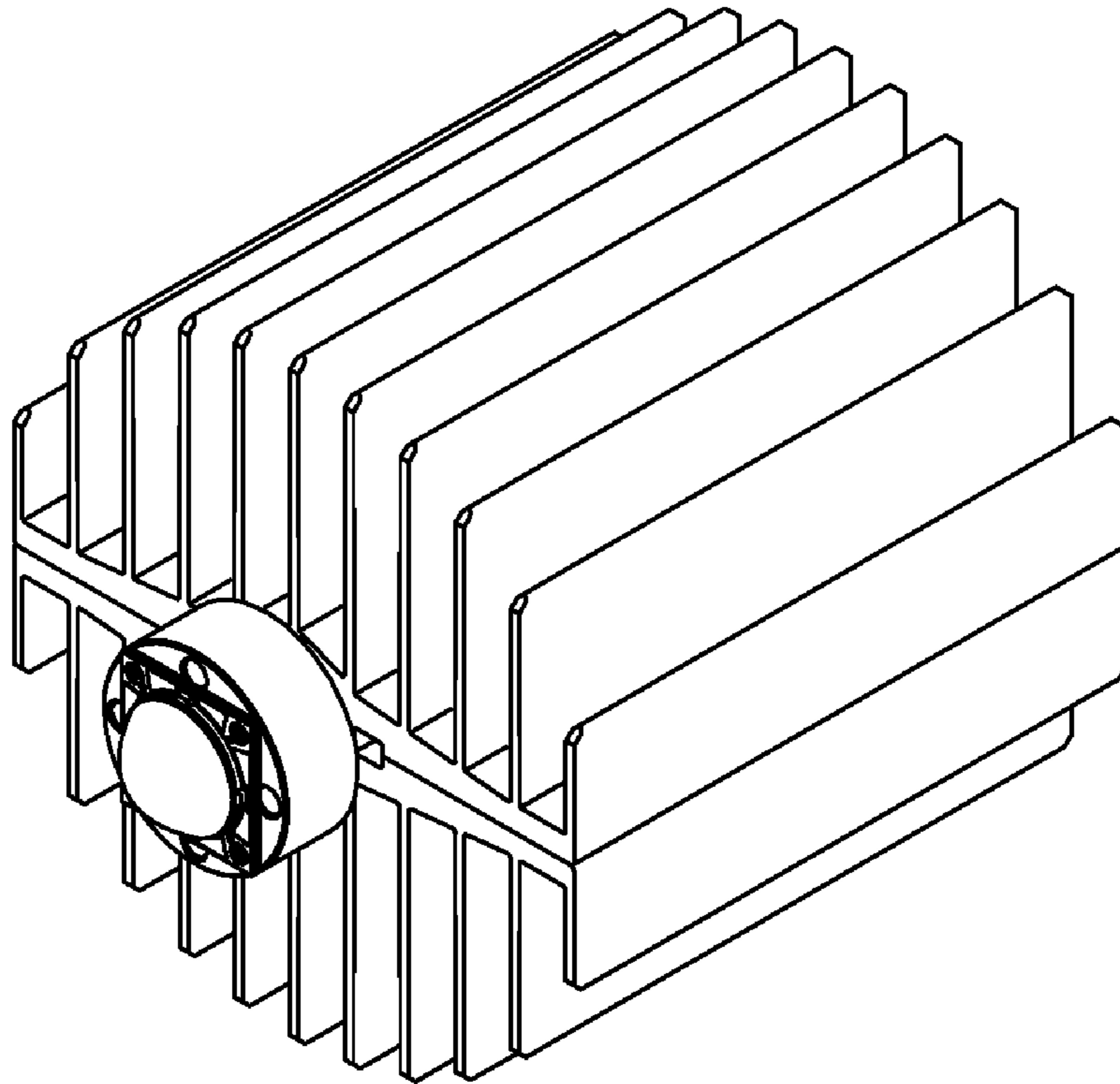


FIG. 1

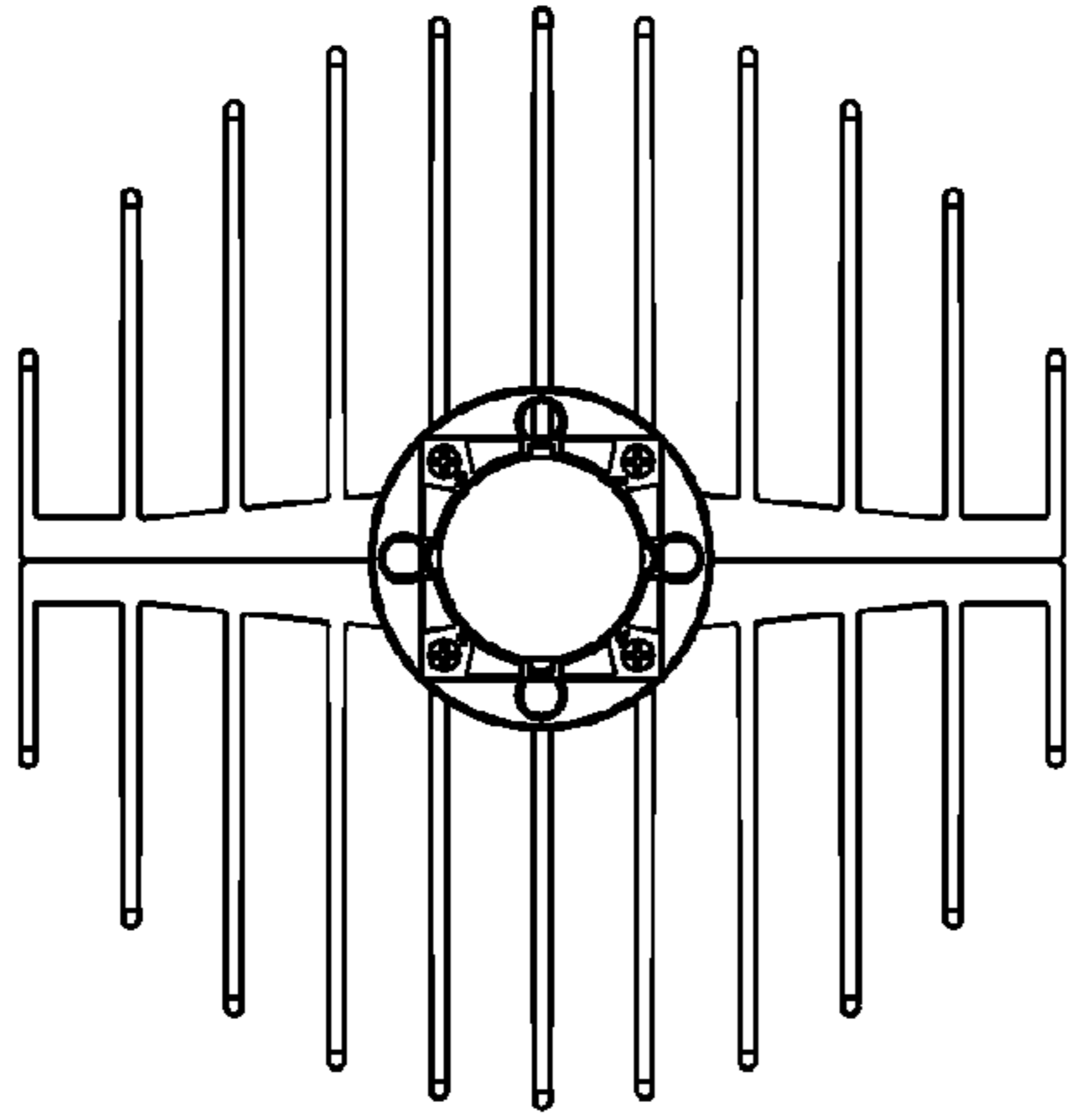


FIG. 2

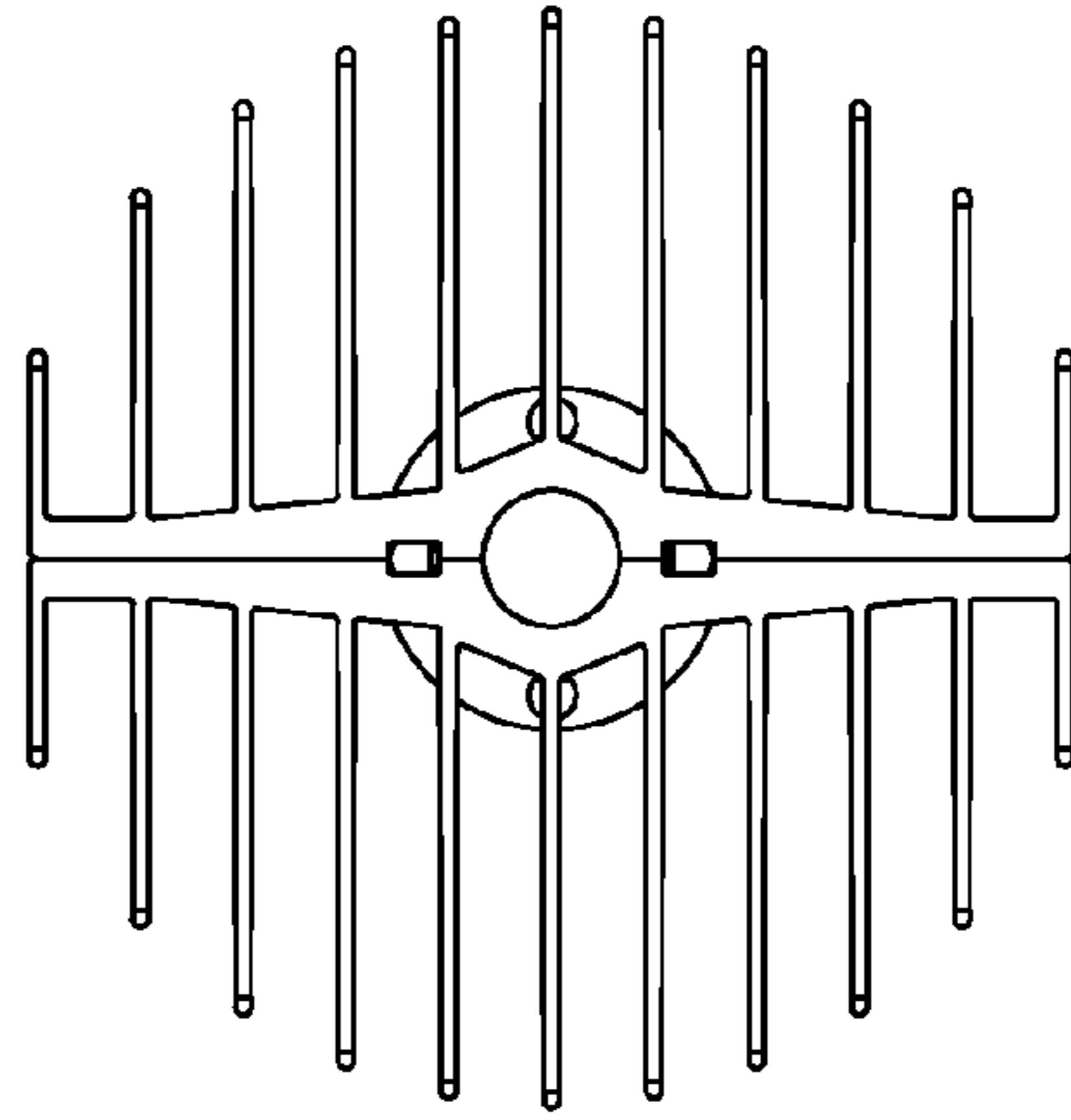


FIG. 3

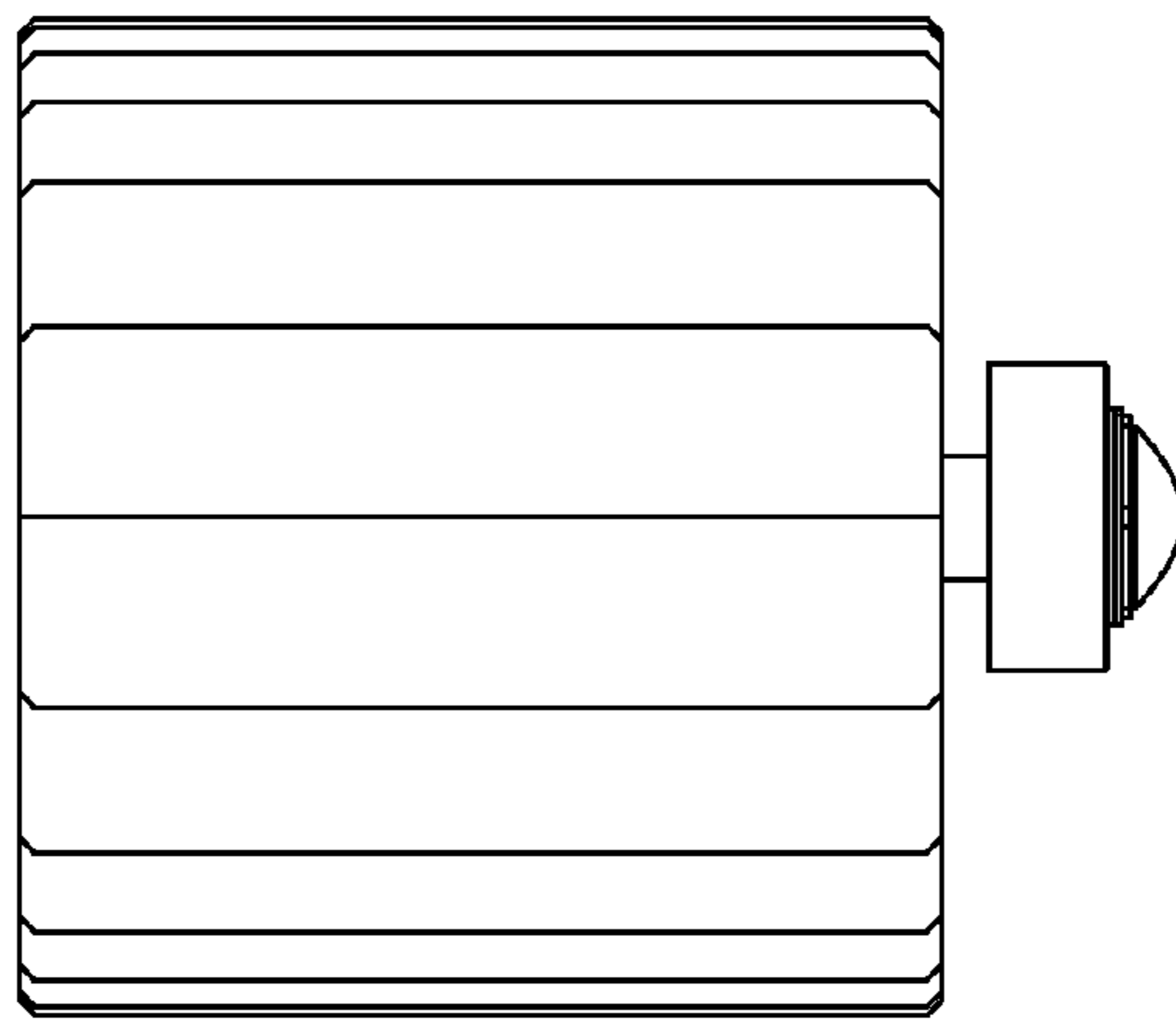


FIG. 4

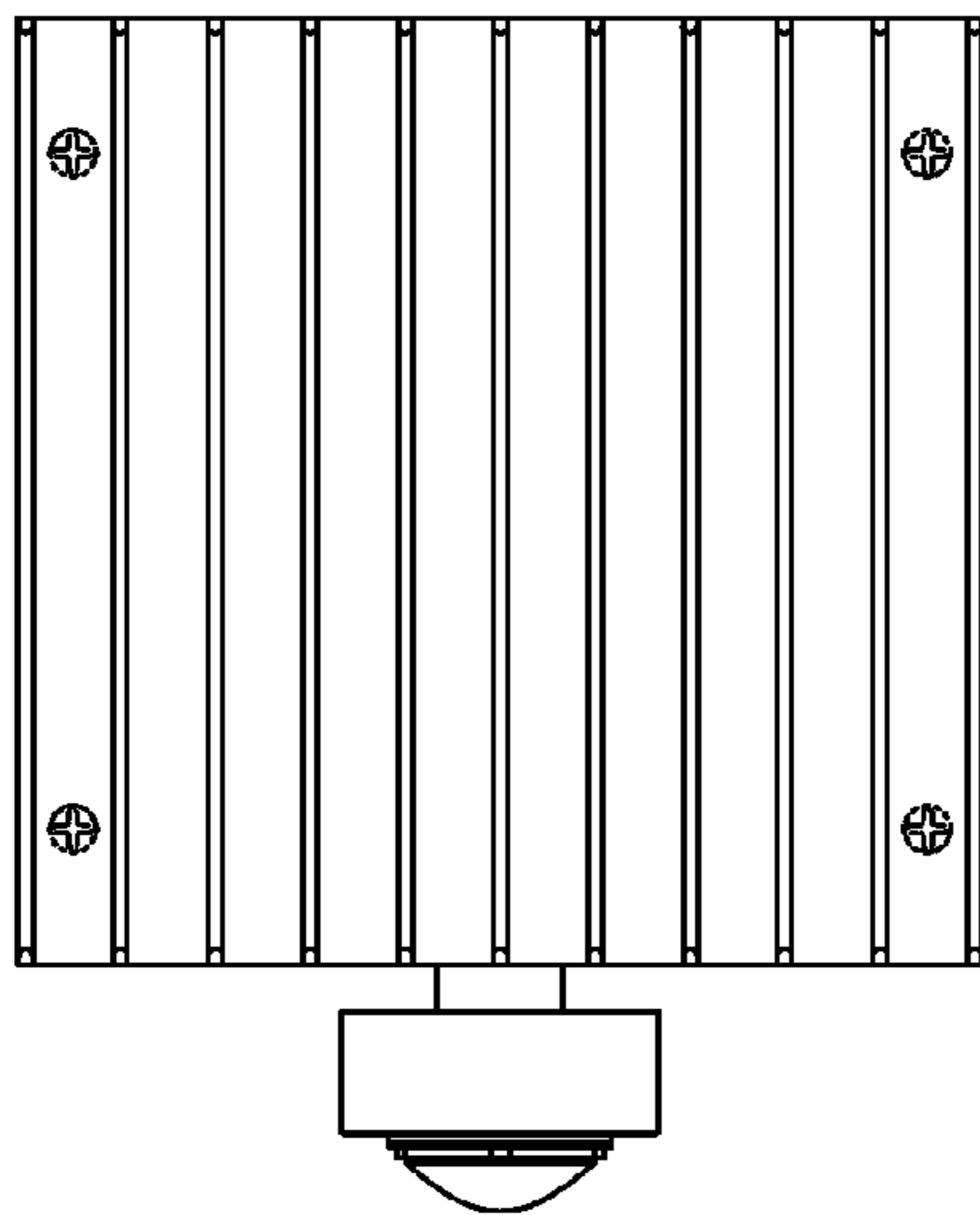


FIG. 5

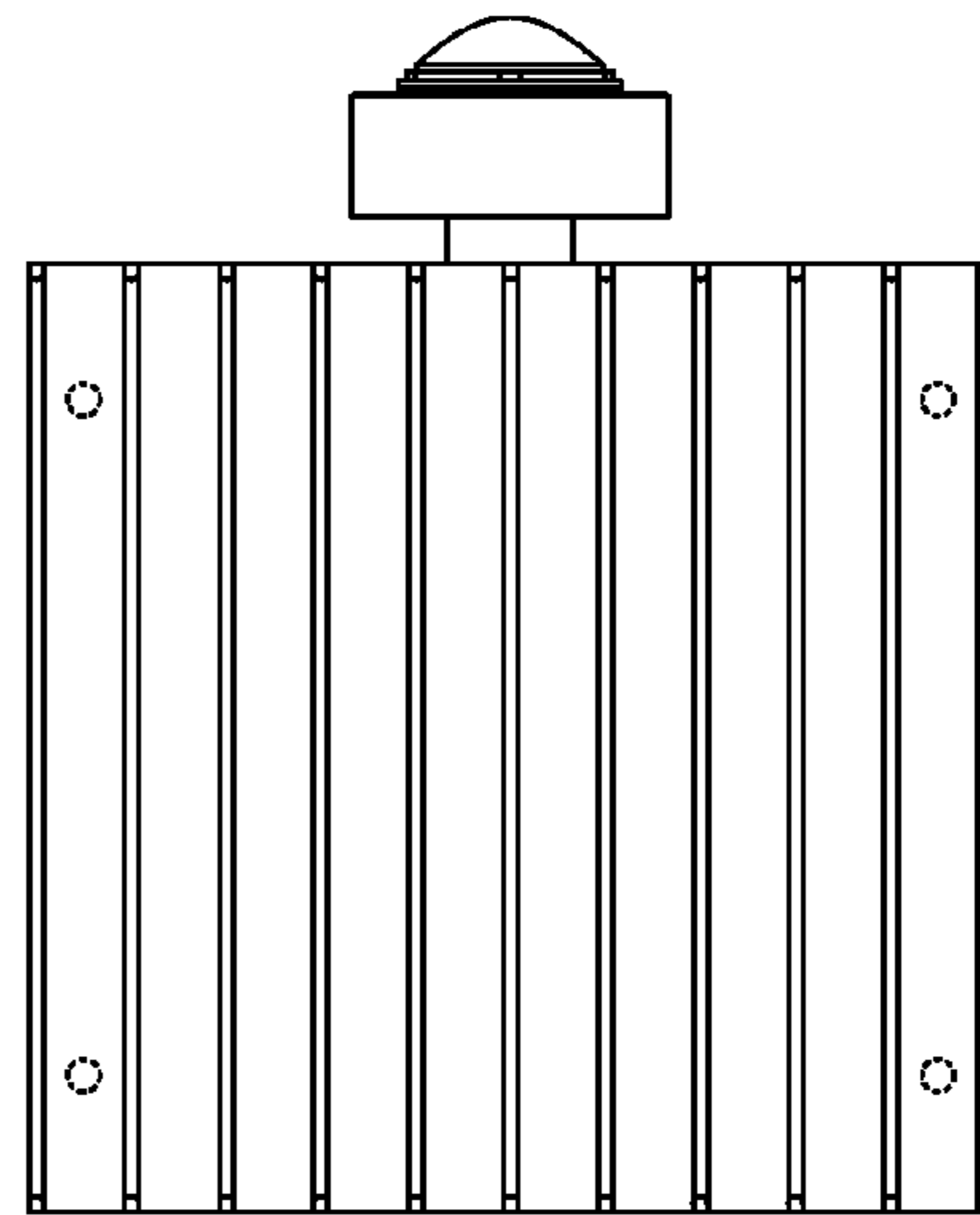


FIG. 6