



US00D610984S

(12) **United States Design Patent**
Khan et al.

(10) **Patent No.:** **US D610,984 S**

(45) **Date of Patent:** **** Mar. 2, 2010**

(54) **CHARGING CRADLE**

(75) Inventors: **Gabriel Deen Khan**, Waterloo (CA);
Anders Fahrendorff, Ottawa (CA);
Dustin Jonathan Smith, Kitchener (CA)

(73) Assignee: **Research In Motion Limited**, Waterloo (CA)

(**) Term: **14 Years**

(21) Appl. No.: **29/339,817**

(22) Filed: **Jul. 8, 2009**

(51) **LOC (9) Cl.** **13-02**

(52) **U.S. Cl.** **D13/108**

(58) **Field of Classification Search** D13/107-110,
D13/118-119, 184; D14/251, 253, 432,
D14/434; 320/107-115

See application file for complete search history.

(56) **References Cited**

U.S. PATENT DOCUMENTS

- D445,975 S * 7/2001 Stratford D32/31
- D463,361 S * 9/2002 Ruohonen D13/108
- D471,578 S * 3/2003 Okuley D16/242
- D510,091 S * 9/2005 Mori et al. D14/434

- D524,730 S * 7/2006 Vu D13/108
- D580,855 S * 11/2008 Haspil et al. D13/108
- D603,333 S * 11/2009 Fahrendorff et al. D13/107

* cited by examiner

Primary Examiner—Rosemary K Tarca

(57) **CLAIM**

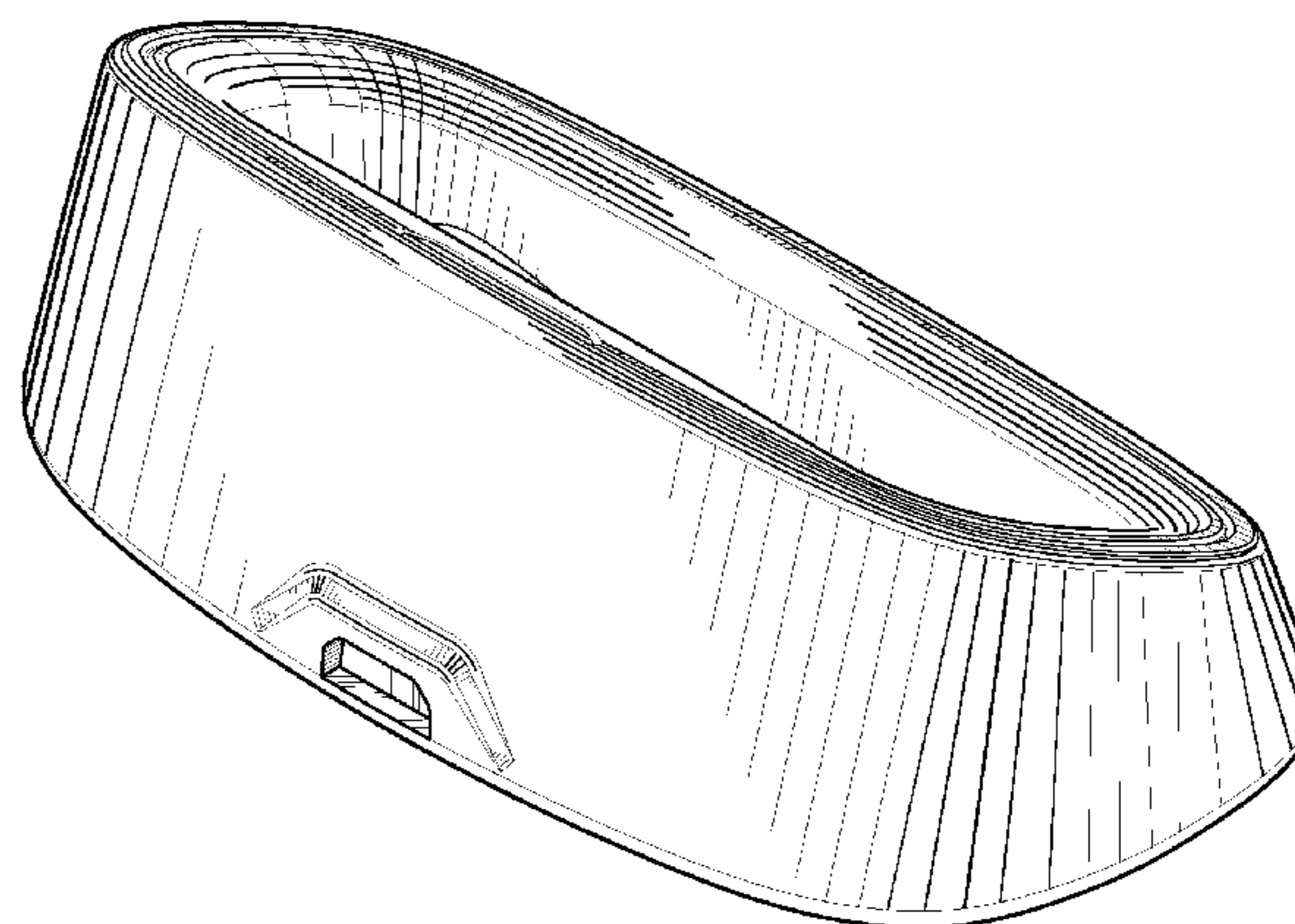
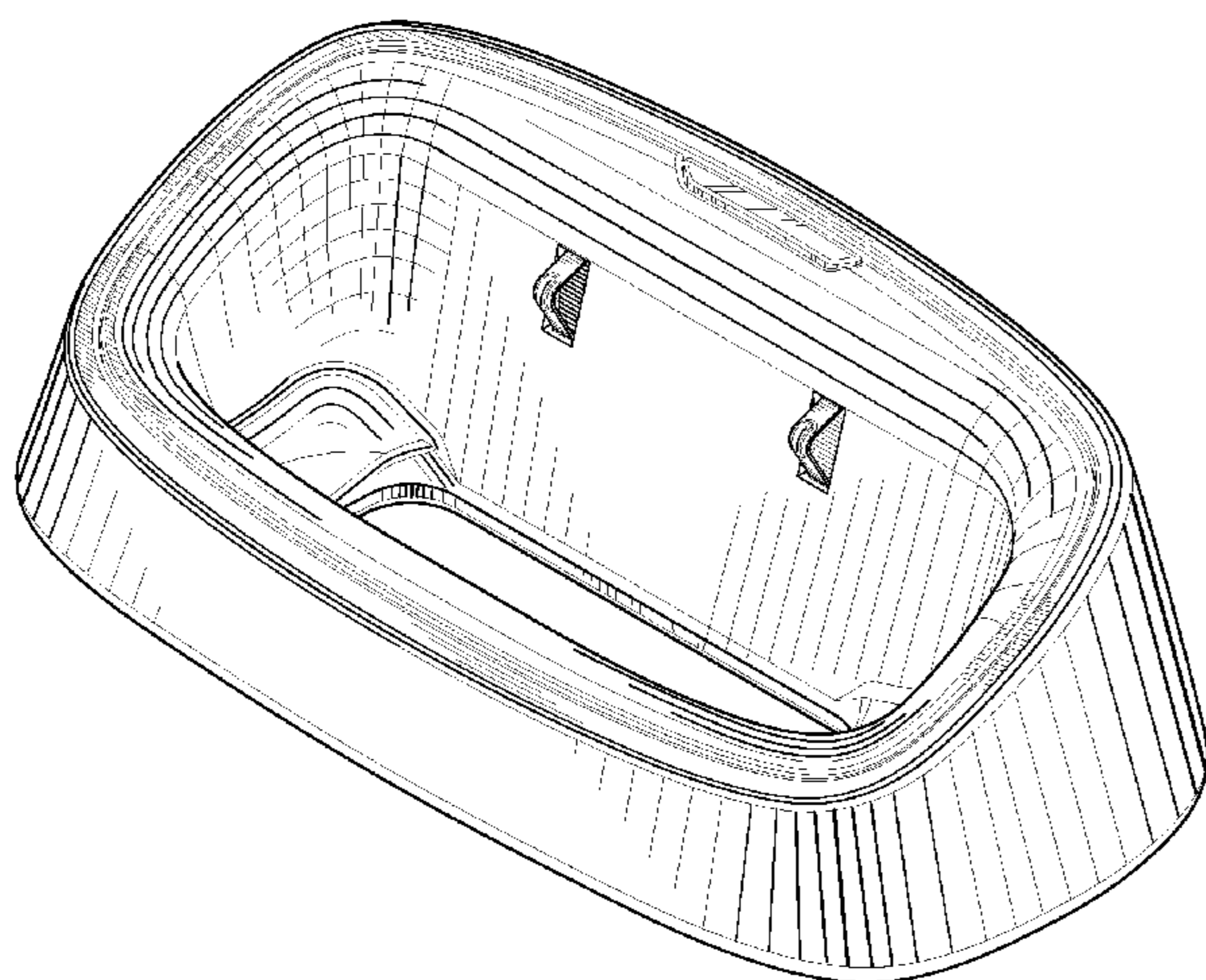
We claim the ornamental design for a charging cradle, as shown and described.

DESCRIPTION

FIG. 1 is a front perspective view of a charging cradle;
 FIG. 2 is a back perspective view of the charging cradle;
 FIG. 3 is a front elevation view thereof;
 FIG. 4 is a back elevation view thereof;
 FIG. 5 is a top plan view thereof;
 FIG. 6 is a bottom plan view thereof;
 FIG. 7 is a left elevational view thereof; and,
 FIG. 8 is a right elevational view thereof.

The broken lines shown in the drawings are included for the purpose of illustrating environmental structure and form no part of the claimed design.

1 Claim, 5 Drawing Sheets



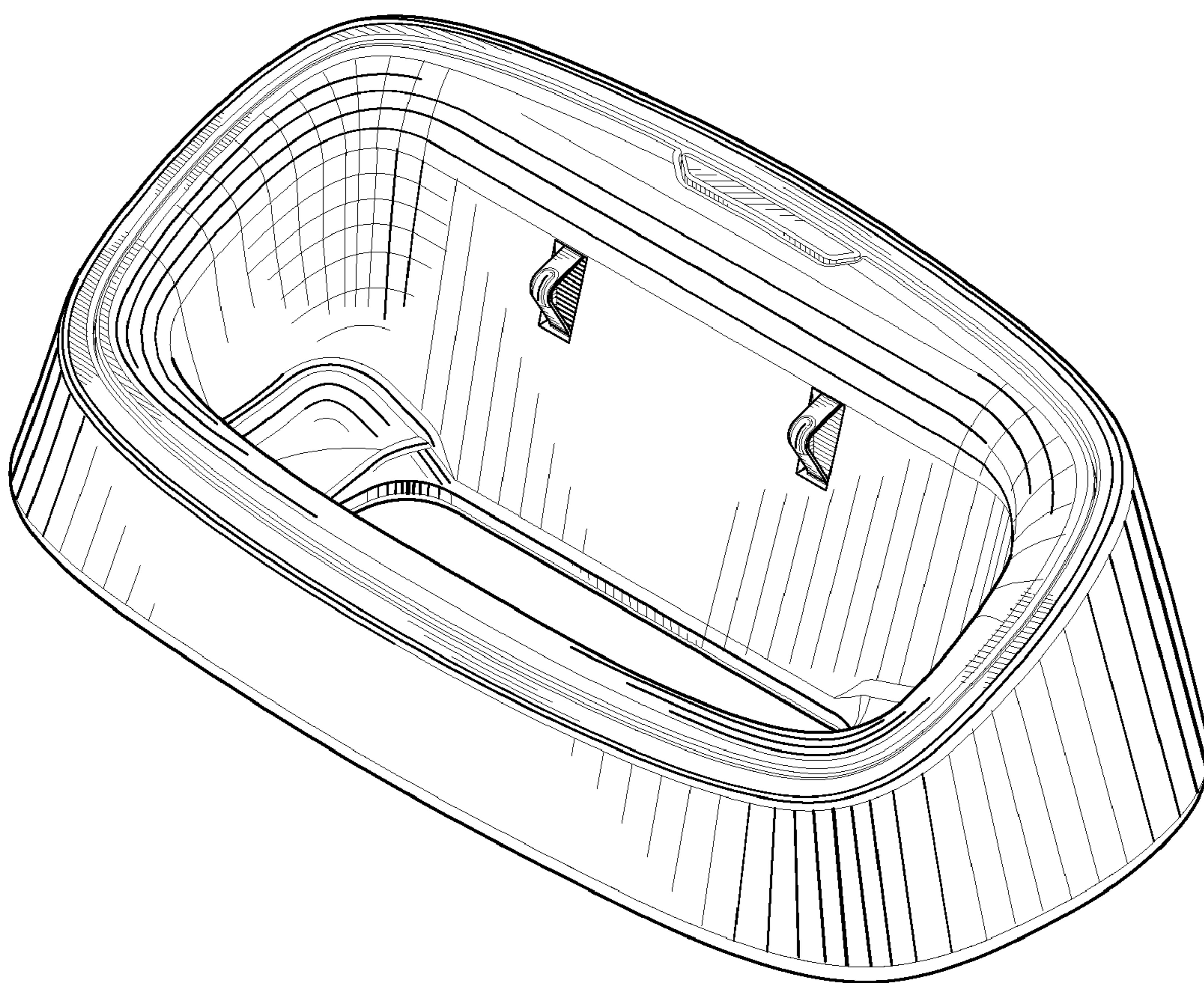


FIG.1

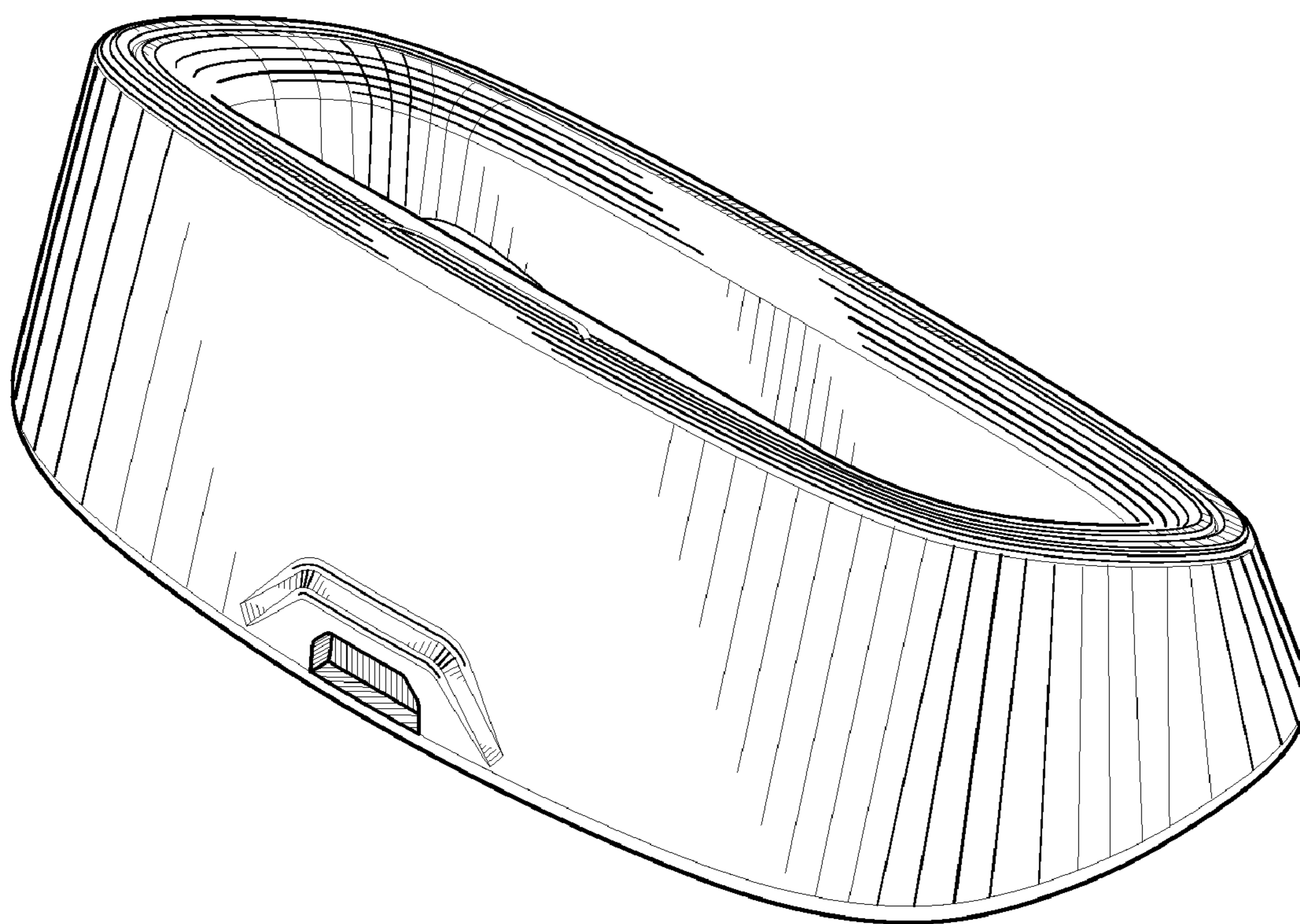


FIG.2

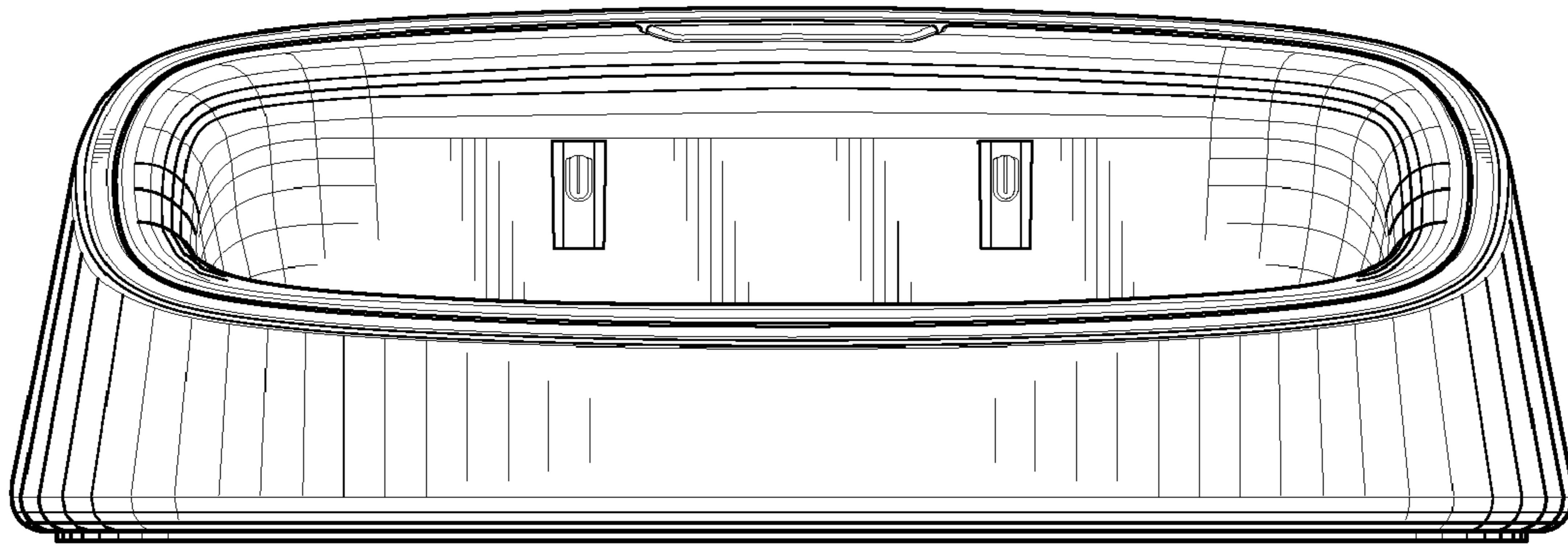


FIG.3

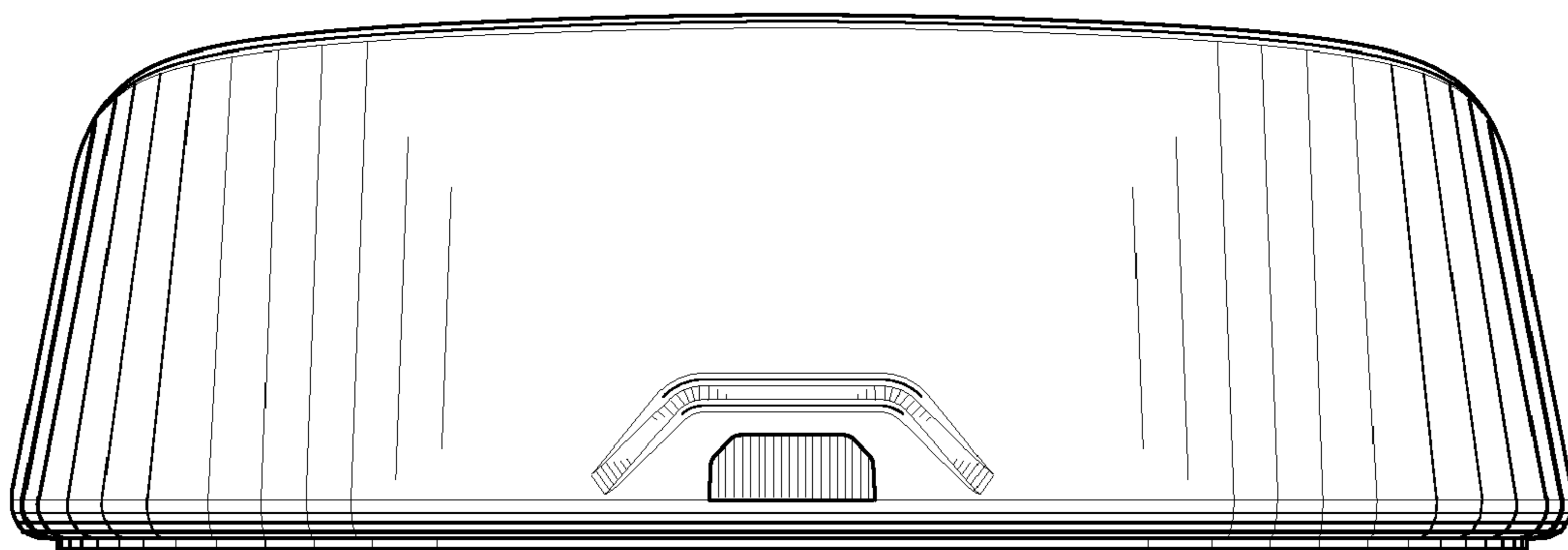


FIG.4

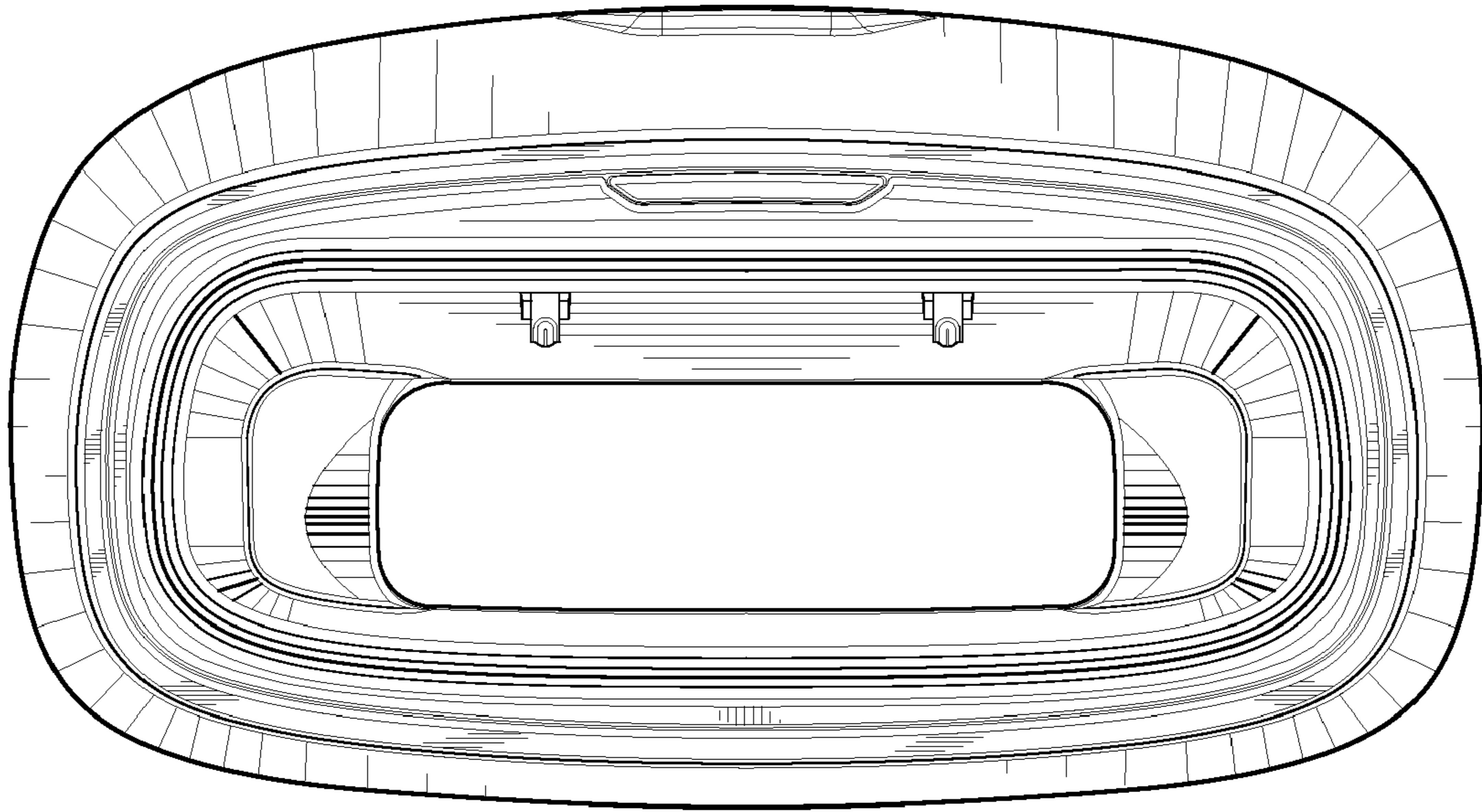


FIG.5

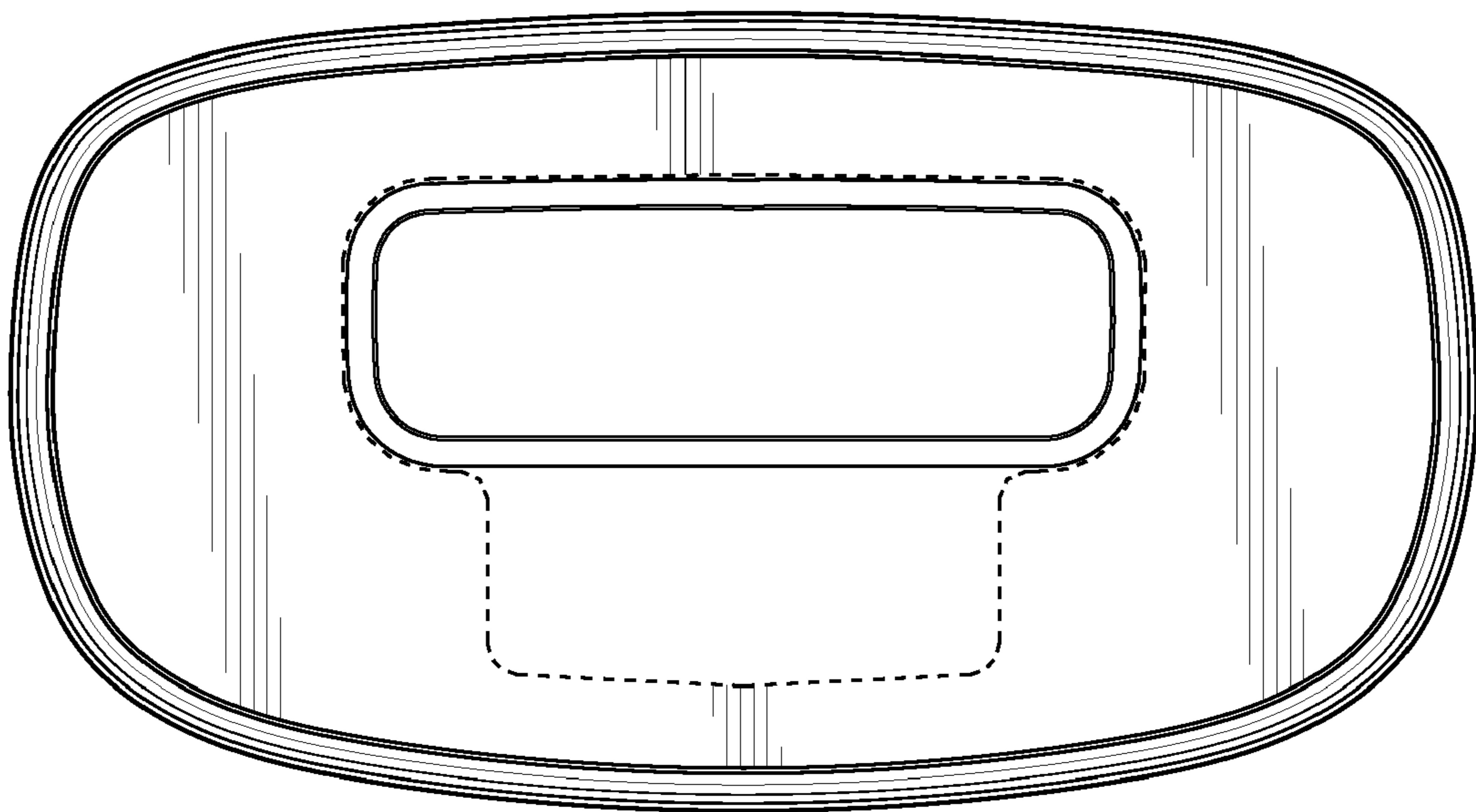


FIG.6

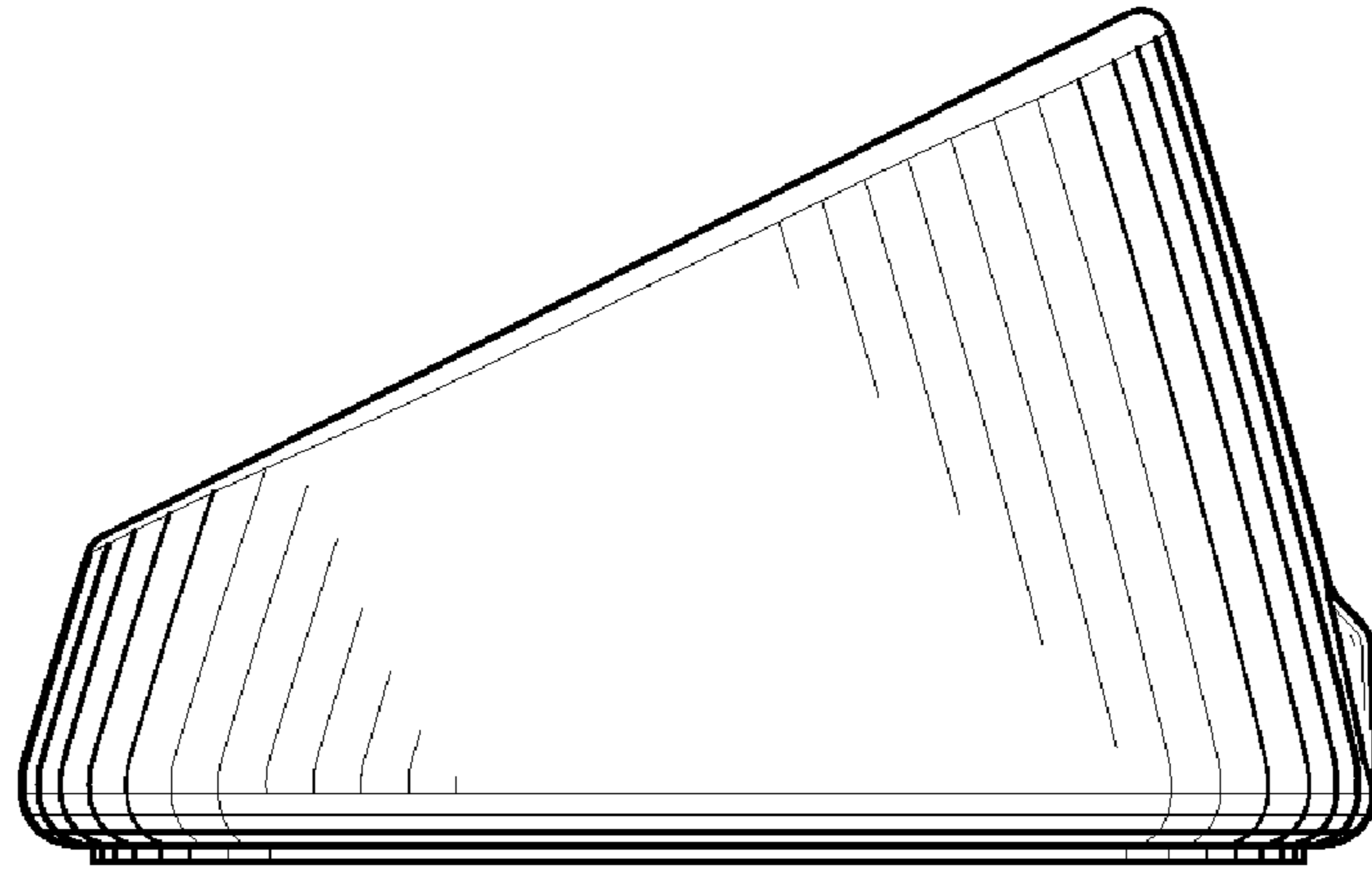


FIG. 7

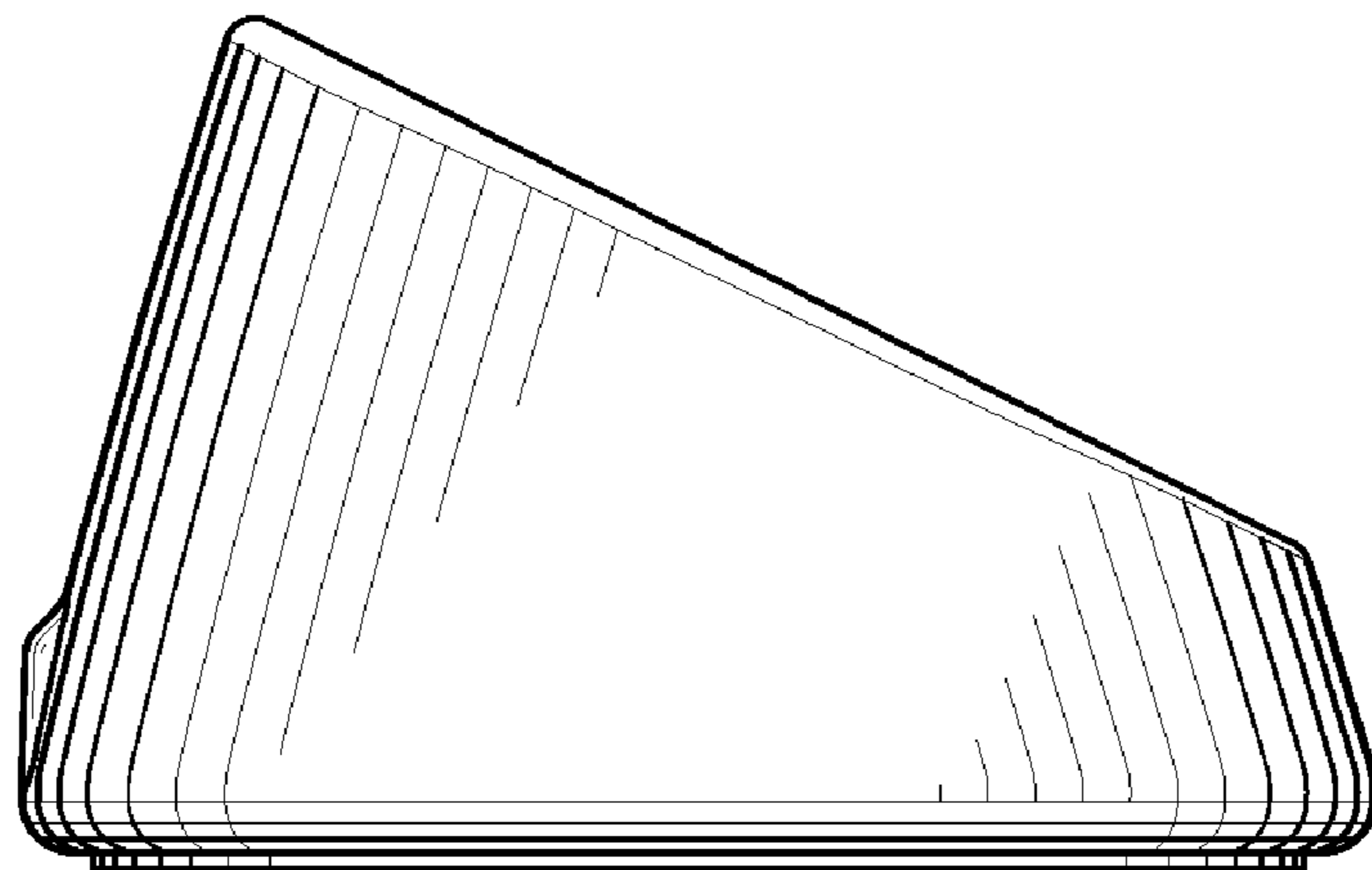


FIG. 8