



US00D610982S

(12) **United States Design Patent**  
**Shum et al.**

(10) **Patent No.:** **US D610,982 S**  
(45) **Date of Patent:** **\*\* Mar. 2, 2010**

(54) **BATTERY CHARGER**

(75) Inventors: **Henry Shum**, Hong Kong (CN); **Chan Wing Chiu**, Hong Kong (CN)

(73) Assignee: **Sunlux Enterprise Ltd.**, Hong Kong (CN)

(\*\*) Term: **14 Years**

(21) Appl. No.: **29/329,751**

(22) Filed: **Dec. 19, 2008**

(51) **LOC (9) Cl.** ..... **13-02**

(52) **U.S. Cl.** ..... **D13/107**

(58) **Field of Classification Search** ..... D13/102,  
D13/107-110, 118-119, 184; D14/251,  
D14/253, 432, 434; 320/107-115  
See application file for complete search history.

(56) **References Cited**

**U.S. PATENT DOCUMENTS**

D440,937 S *	4/2001	Germagian et al. ....	D13/110
D464,935 S *	10/2002	Krieger et al. ....	D13/110
D484,852 S *	1/2004	James et al. ....	D13/107
D519,448 S *	4/2006	Leung .....	D13/107
D540,743 S *	4/2007	Cerny et al. ....	D13/110
D550,615 S *	9/2007	Tong .....	D13/107
D573,089 S *	7/2008	Mandel et al. ....	D13/107
D577,668 S *	9/2008	Buck .....	D13/110

\* cited by examiner

*Primary Examiner*—Rosemary K Tarca

(74) *Attorney, Agent, or Firm*—Venable LLP; Robert Kinberg; Justine A. Gozzi

(57) **CLAIM**

The ornamental design for a battery charger, as shown and described.

**DESCRIPTION**

FIG. 1 is a left side, front, top perspective view of a battery charger according to the present invention;

FIG. 2 is a top view of the battery charger of FIG. 1 according to the present invention;

FIG. 3 is a bottom view of the battery charger of FIG. 1 according to the present invention;

FIG. 4 is a right side view of the battery charger of FIG. 1 according to the present invention;

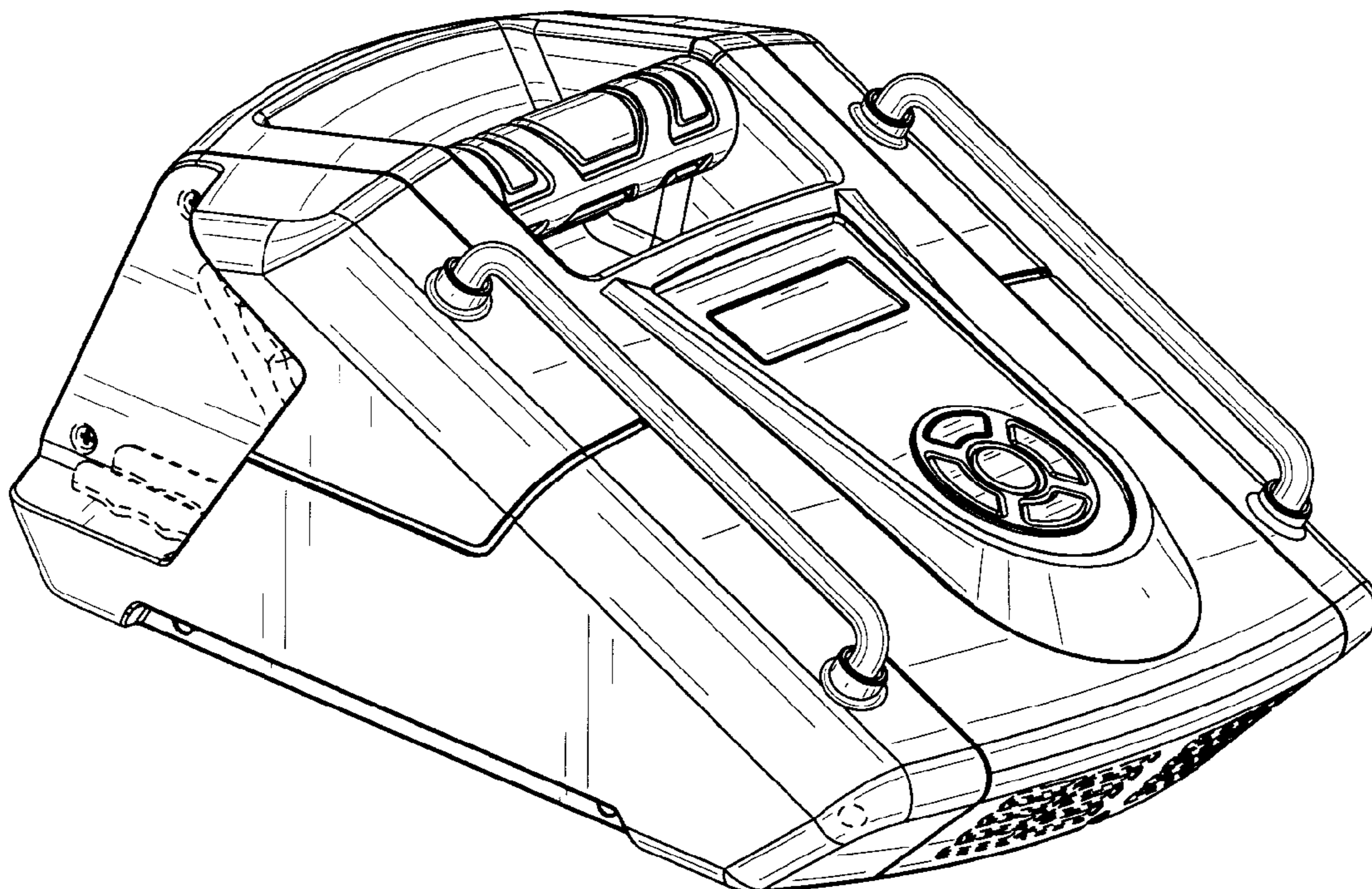
FIG. 5 is a left side view of the battery charger of FIG. 1 according to the present invention;

FIG. 6 is a rear view of the battery charger of FIG. 1 according to the present invention; and,

FIG. 7 is a front view of a battery charger according to the present invention.

The broken line showing of battery charger is for the purpose of illustrating environmental structure and forms no part of the claimed design. The broken line(s) which define the bounds of the claimed design form no part thereof.

**1 Claim, 7 Drawing Sheets**



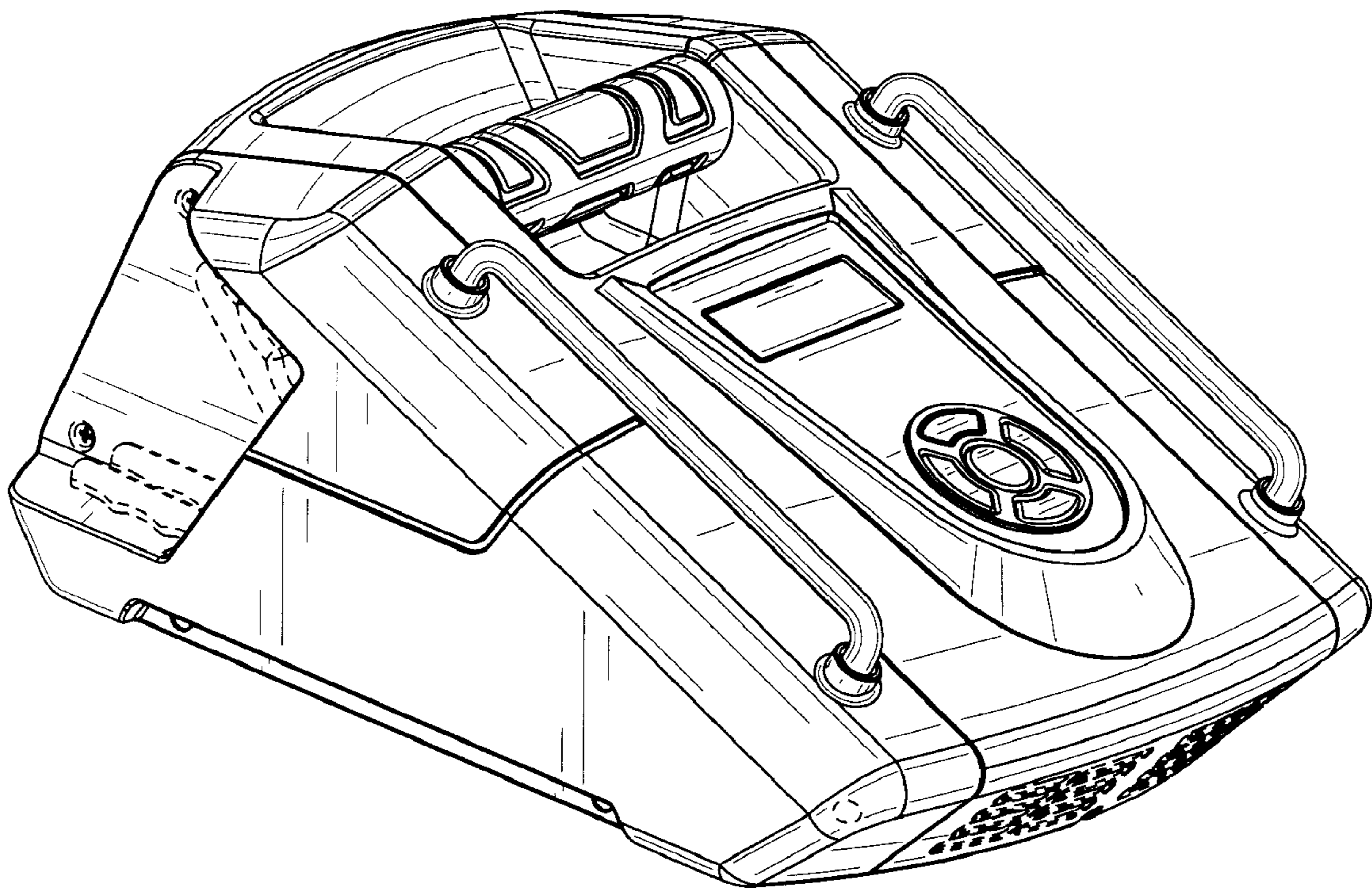


FIG. 1

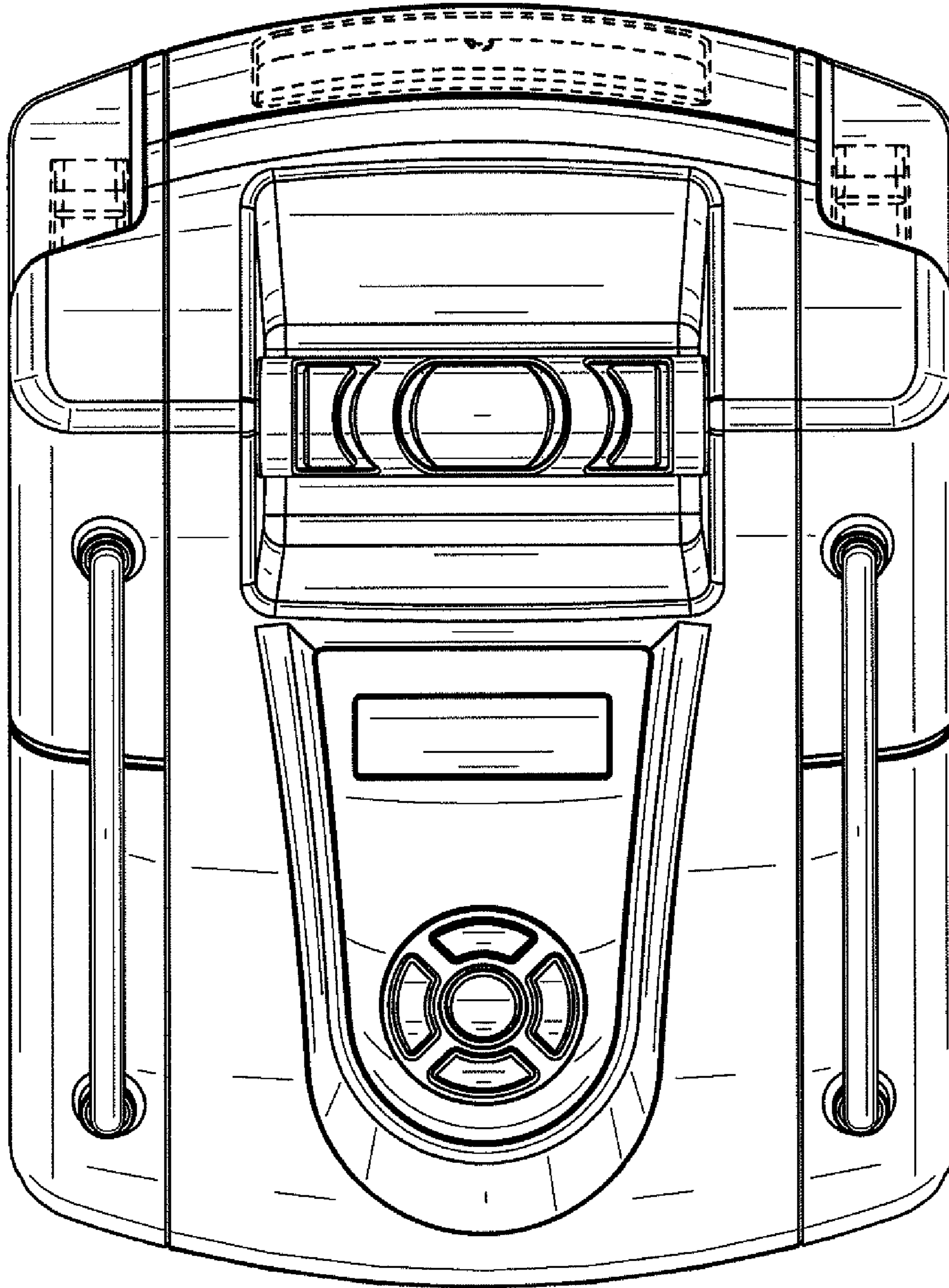


FIG. 2

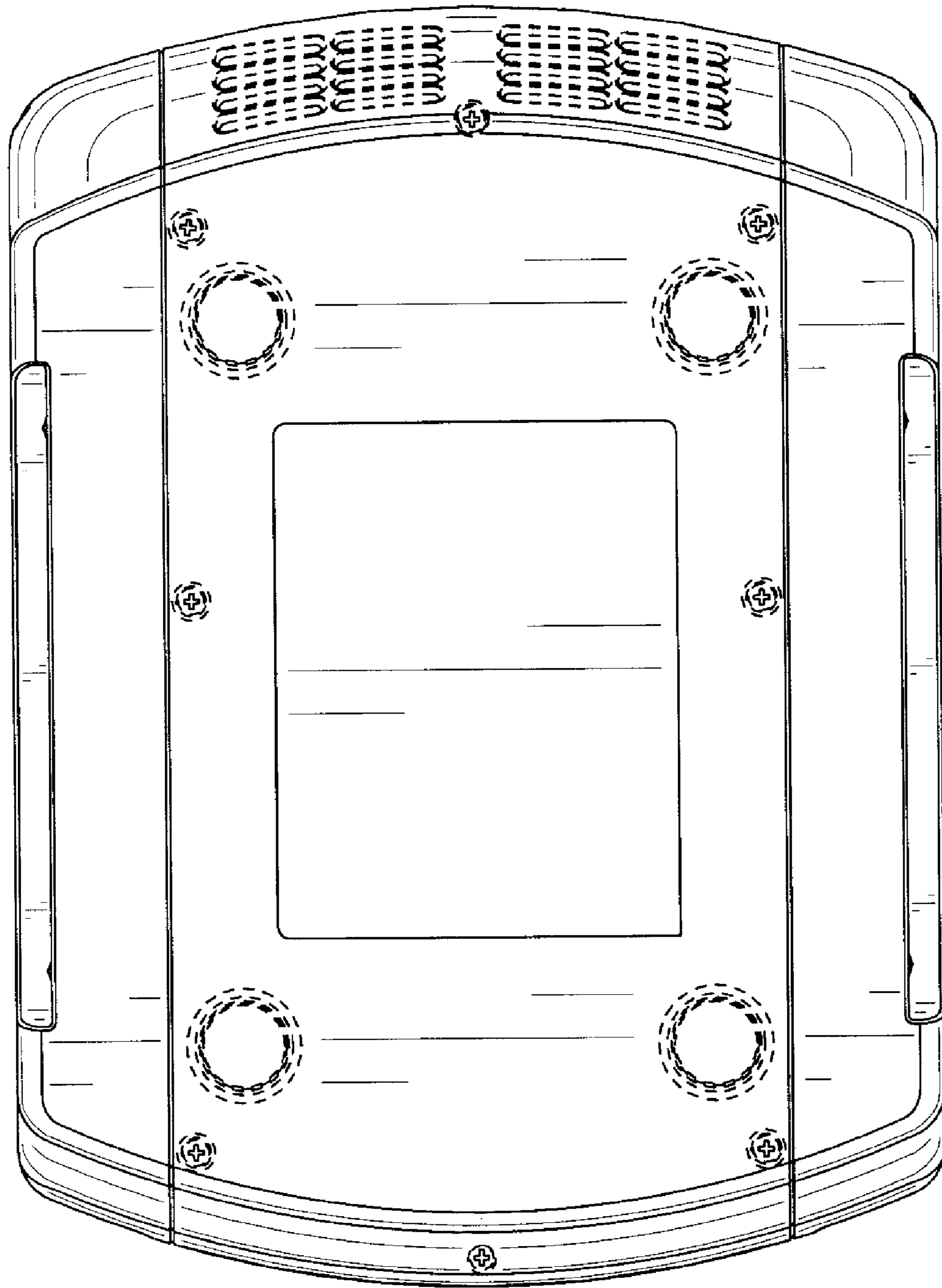


FIG.3

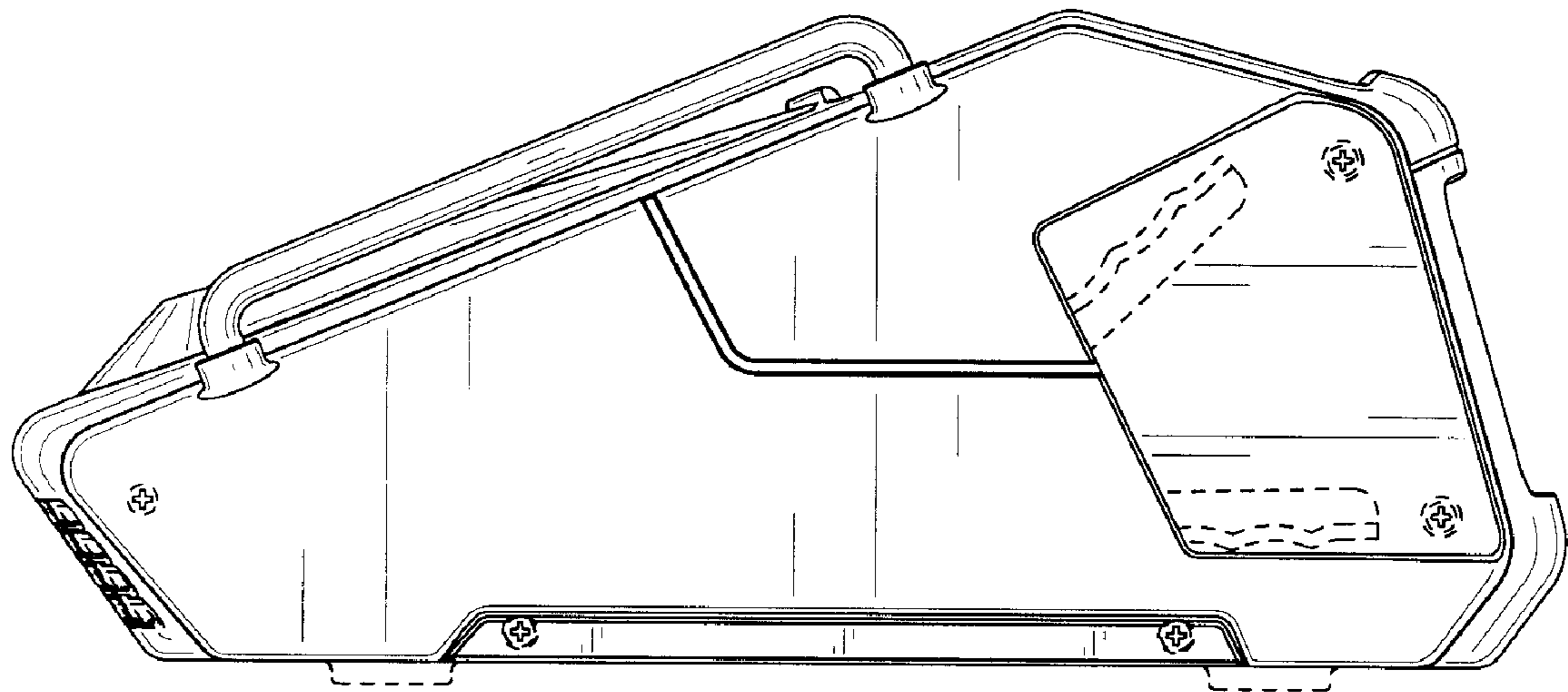


FIG. 4

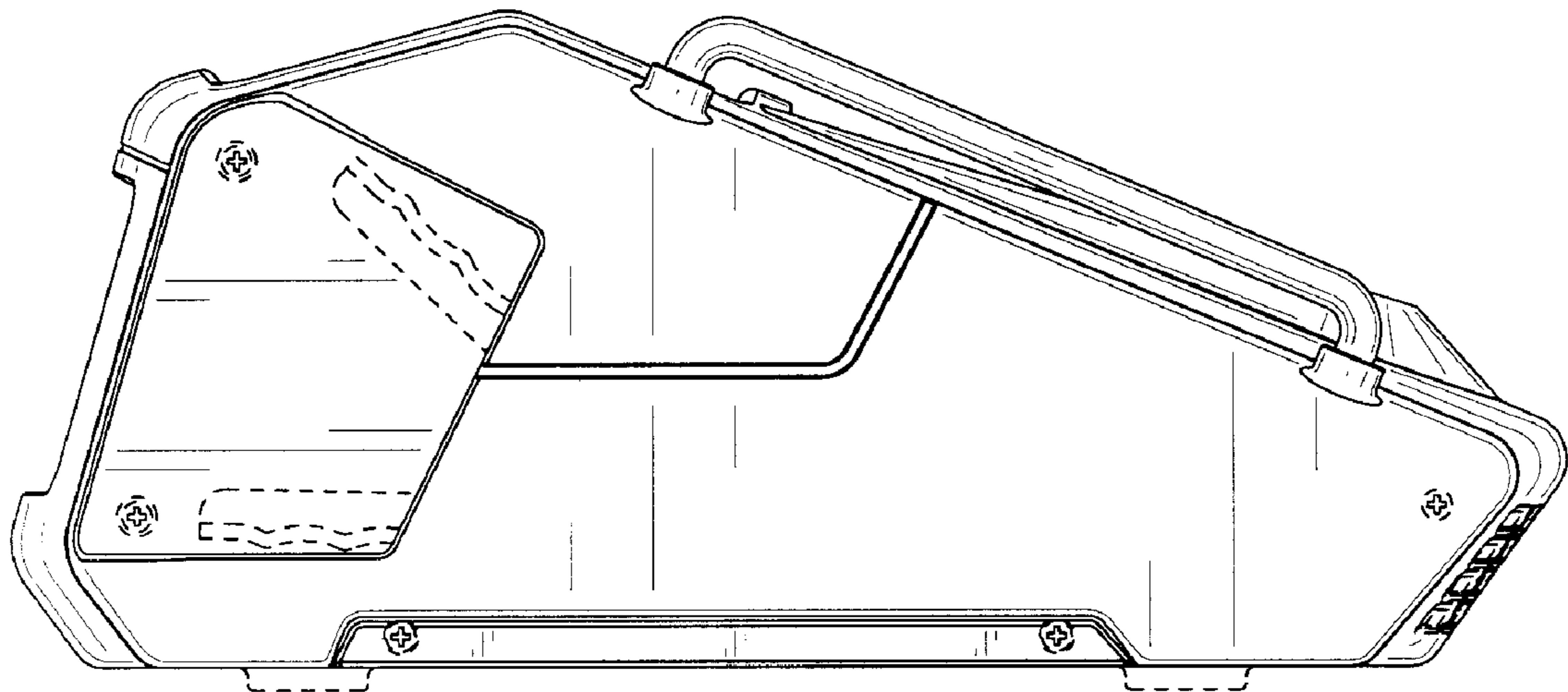


FIG. 5

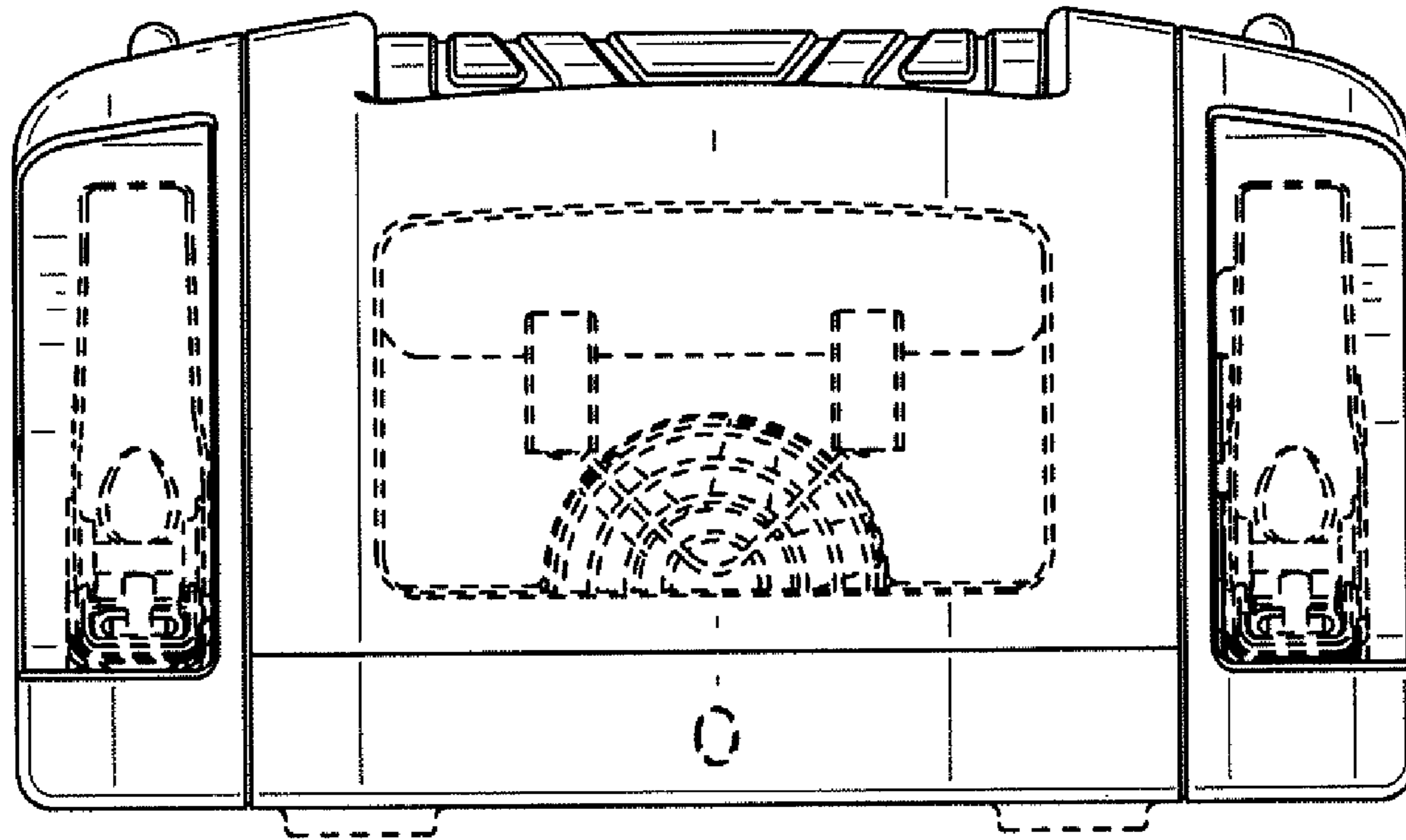


FIG. 6

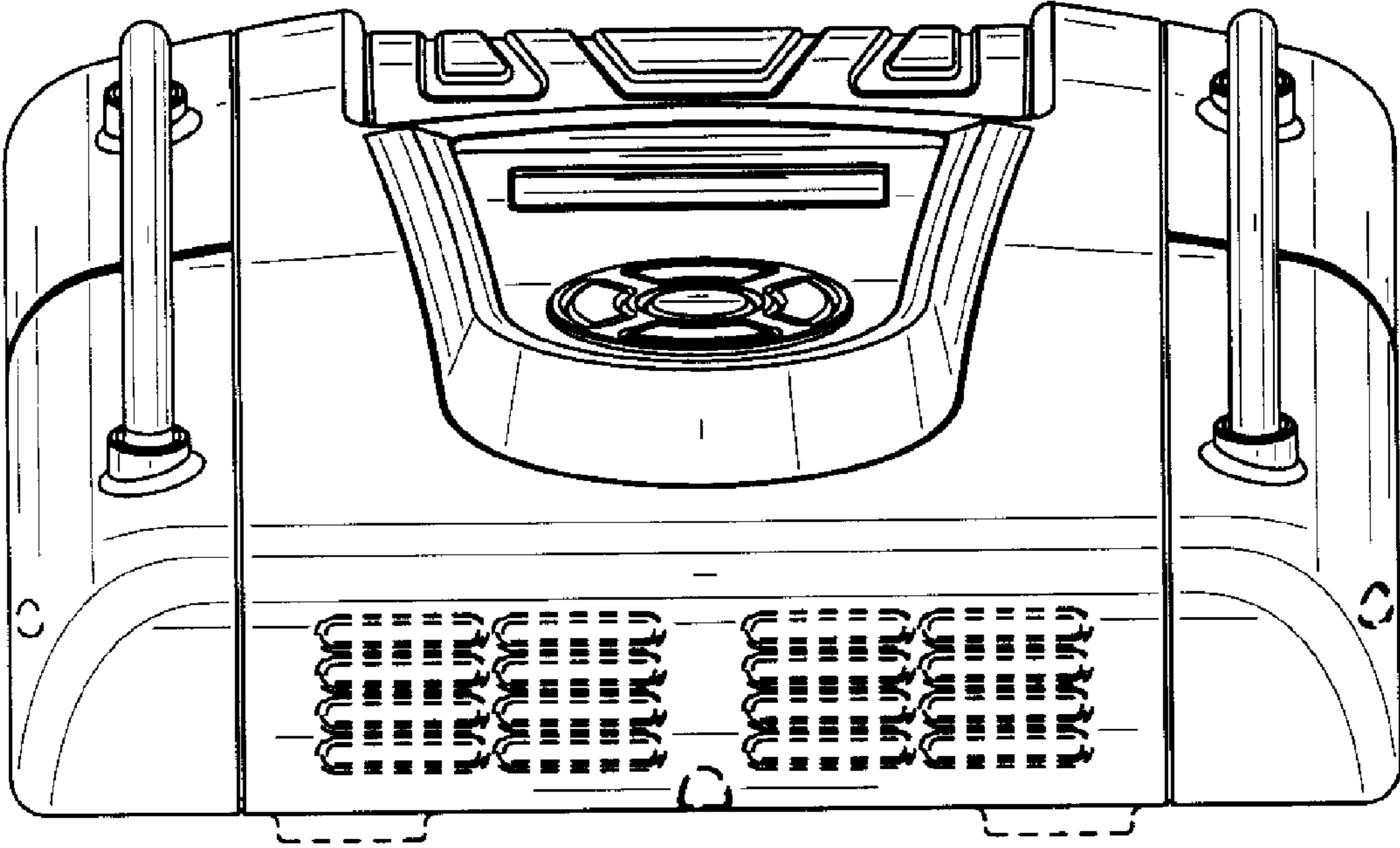


FIG. 7