



US00D610960S

(12) **United States Design Patent**
Scoley et al.

(10) **Patent No.:** **US D610,960 S**

(45) **Date of Patent:** **** Mar. 2, 2010**

(54) **COMPUTER TABLE FOR AN AIRCRAFT**

(75) Inventors: **Ian Scoley**, Hamburg (DE); **Lee Harding**, Kent (GB)

(73) Assignee: **Airbus Deutschland GmbH** (DE)

(**) Term: **14 Years**

(21) Appl. No.: **29/286,688**

(22) Filed: **May 16, 2007**

(30) **Foreign Application Priority Data**

Nov. 16, 2006	(EM)	000622162-0001
Nov. 16, 2006	(EM)	000622162-0002
Nov. 16, 2006	(EM)	000622162-0003
Nov. 16, 2006	(EM)	000622162-0004
Nov. 16, 2006	(EM)	000622162-0005

(51) **LOC (9) Cl.** **12-16**

(52) **U.S. Cl.** **D12/425; D12/345**

(58) **Field of Classification Search** D12/317-319,
D12/345, 400, 415, 419, 423-426, 426.1;
244/117 R, 119; D6/396-397, 400
See application file for complete search history.

(56) **References Cited**

U.S. PATENT DOCUMENTS

4,559,877	A *	12/1985	Waibel	108/64
D332,536	S *	1/1993	Hosoe	D6/482
D335,054	S	4/1993	Hollington		
D349,824	S *	8/1994	Ball	D6/482
D352,409	S	11/1994	Hosoe		
D359,405	S	6/1995	Ball		
D390,399	S	2/1998	Camilo		
D405,991	S *	2/1999	Kramer et al.	D6/484
D515,850	S *	2/2006	Duke	D6/483
D576,821	S	9/2008	Fisette et al.		

* cited by examiner

Primary Examiner—Ian Simmons

Assistant Examiner—Dana L Sipos

(74) *Attorney, Agent, or Firm*—Lerner, David, Littenberg, Krumholz & Mentlik, LLP

(57) **CLAIM**

The ornamental design for computer table for an aircraft, as shown and described.

DESCRIPTION

FIG. 1 is a top, front, left side perspective view of a computer table for an aircraft showing our new design;

FIG. 2 is a front elevation view thereof;

FIG. 3 is a rear elevation view thereof;

FIG. 4 is a left side elevation view thereof;

FIG. 5 is a right side elevation view thereof;

FIG. 6 is a top plan view thereof;

FIG. 7 is a bottom plan view thereof;

FIG. 8 is a top, front, left side perspective view of a second embodiment of a table for an aircraft;

FIG. 9 is a front elevation view thereof;

FIG. 10 is a rear elevation view thereof;

FIG. 11 is a left side elevation view thereof;

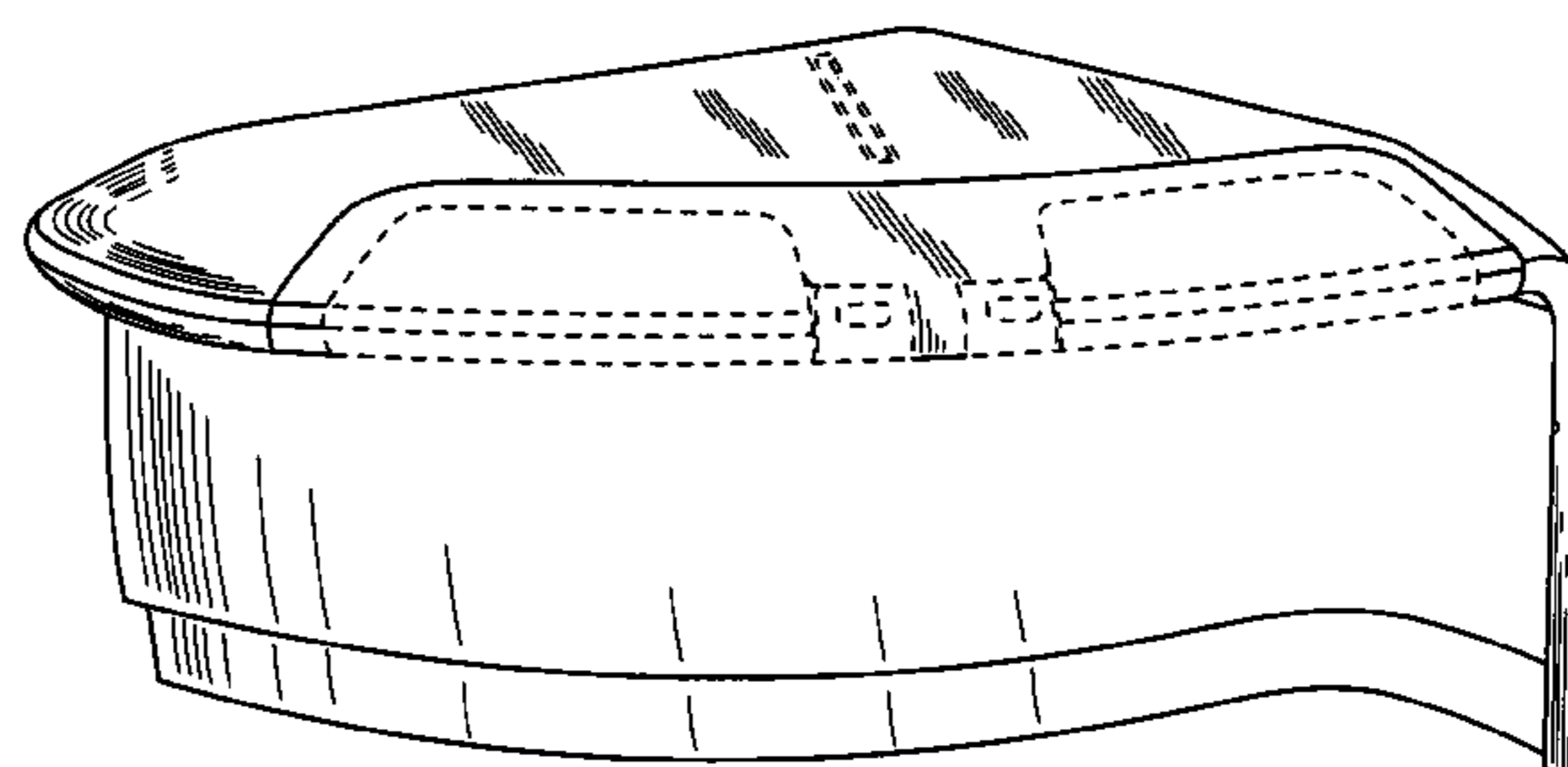
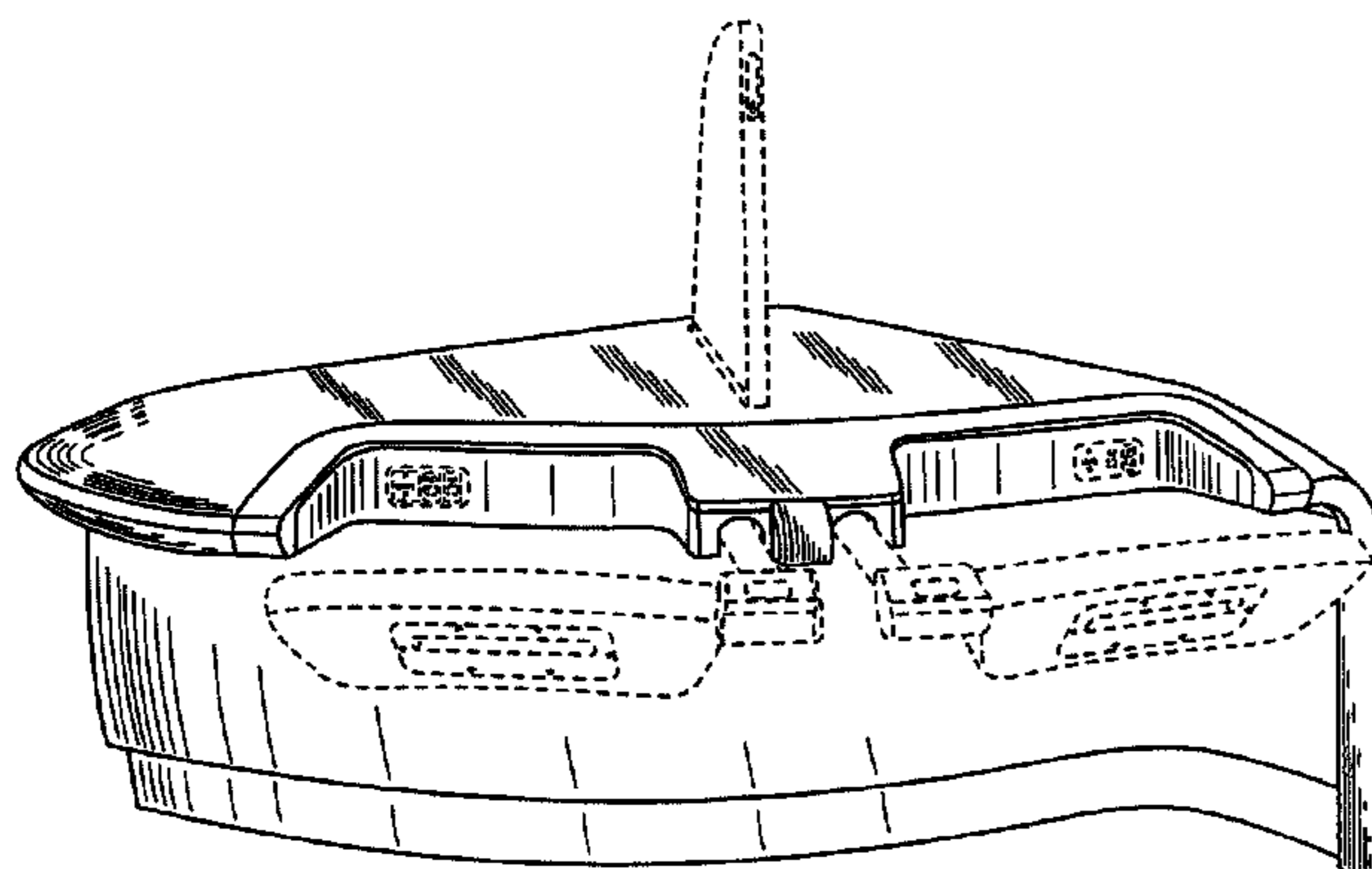
FIG. 12 is a right side elevation view thereof;

FIG. 13 is a top plan view thereof; and,

FIG. 14 is a bottom plan view thereof.

The broken lines shown in the drawings are for illustrative purposes and form no part of the claimed design of the embodiments in which they appear.

1 Claim, 14 Drawing Sheets



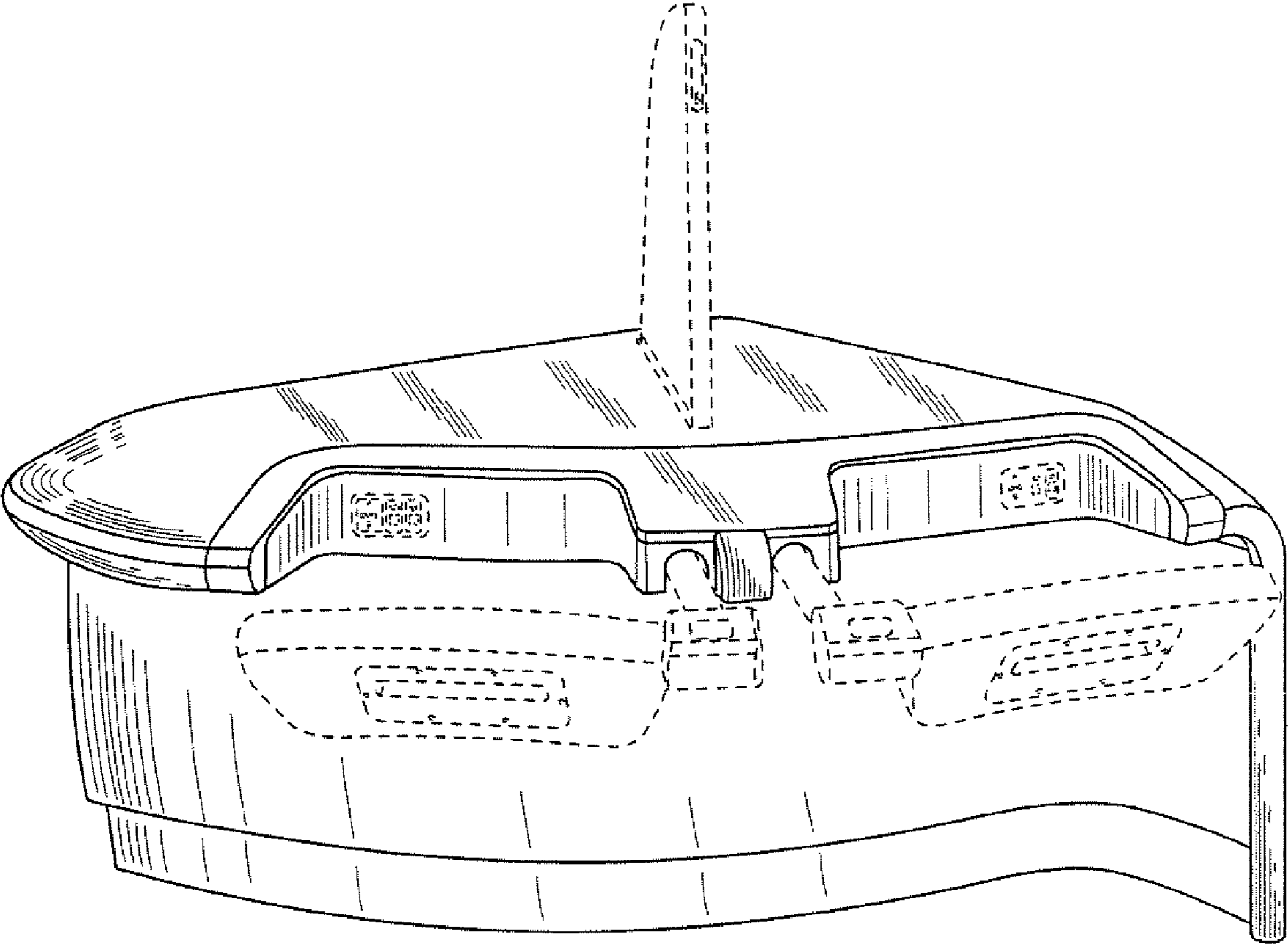


FIG. 1

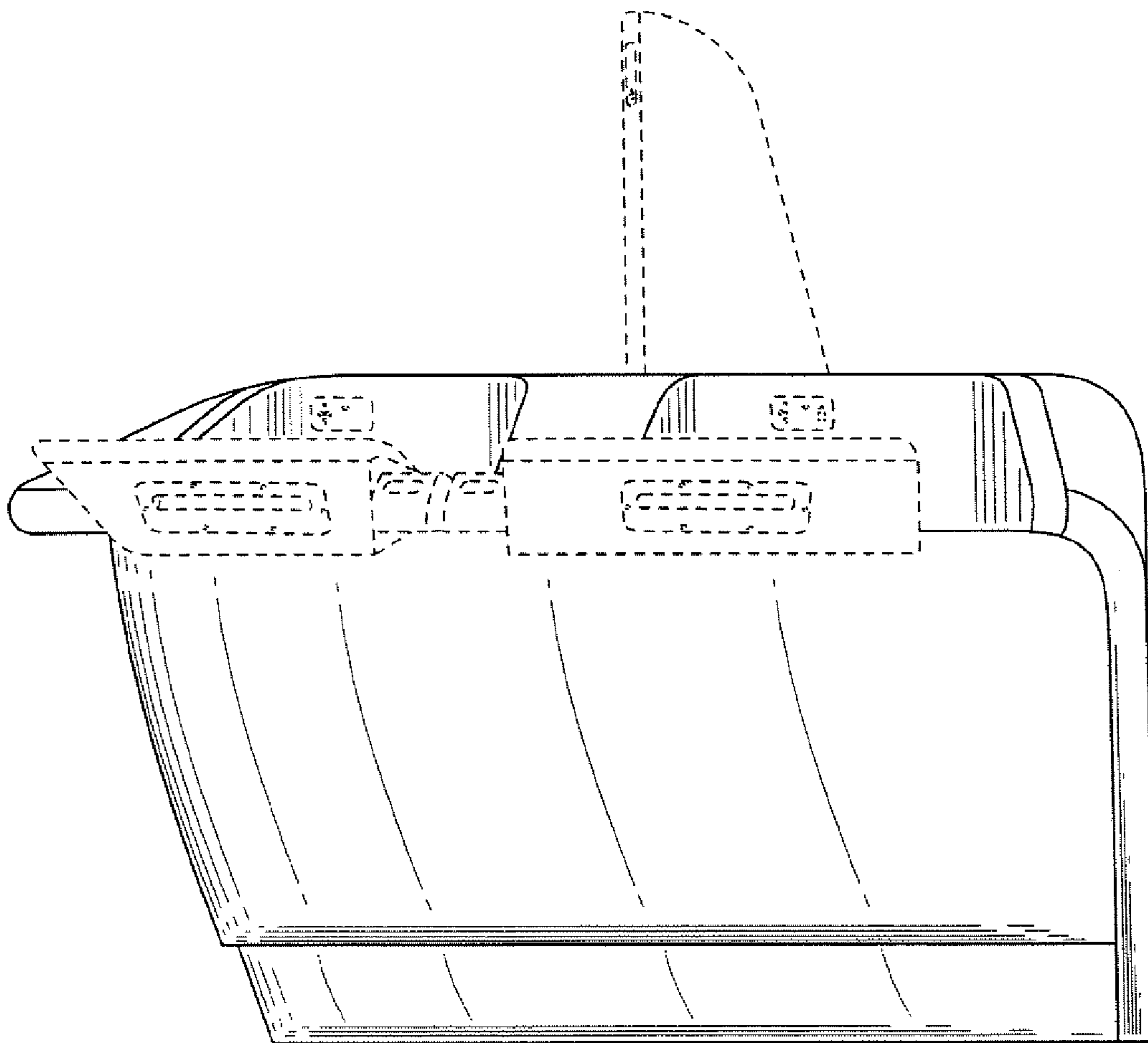


FIG. 2

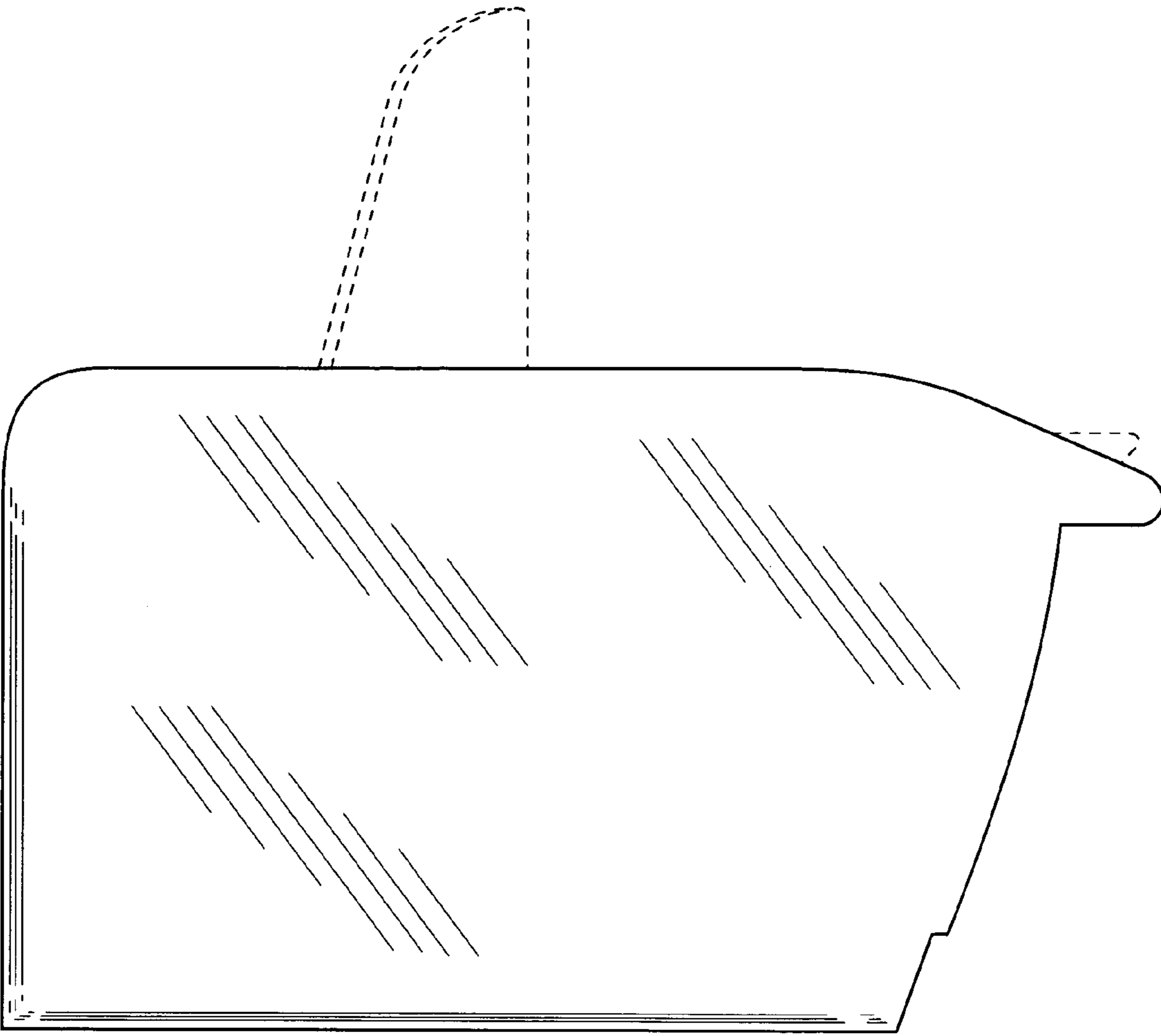


FIG. 3

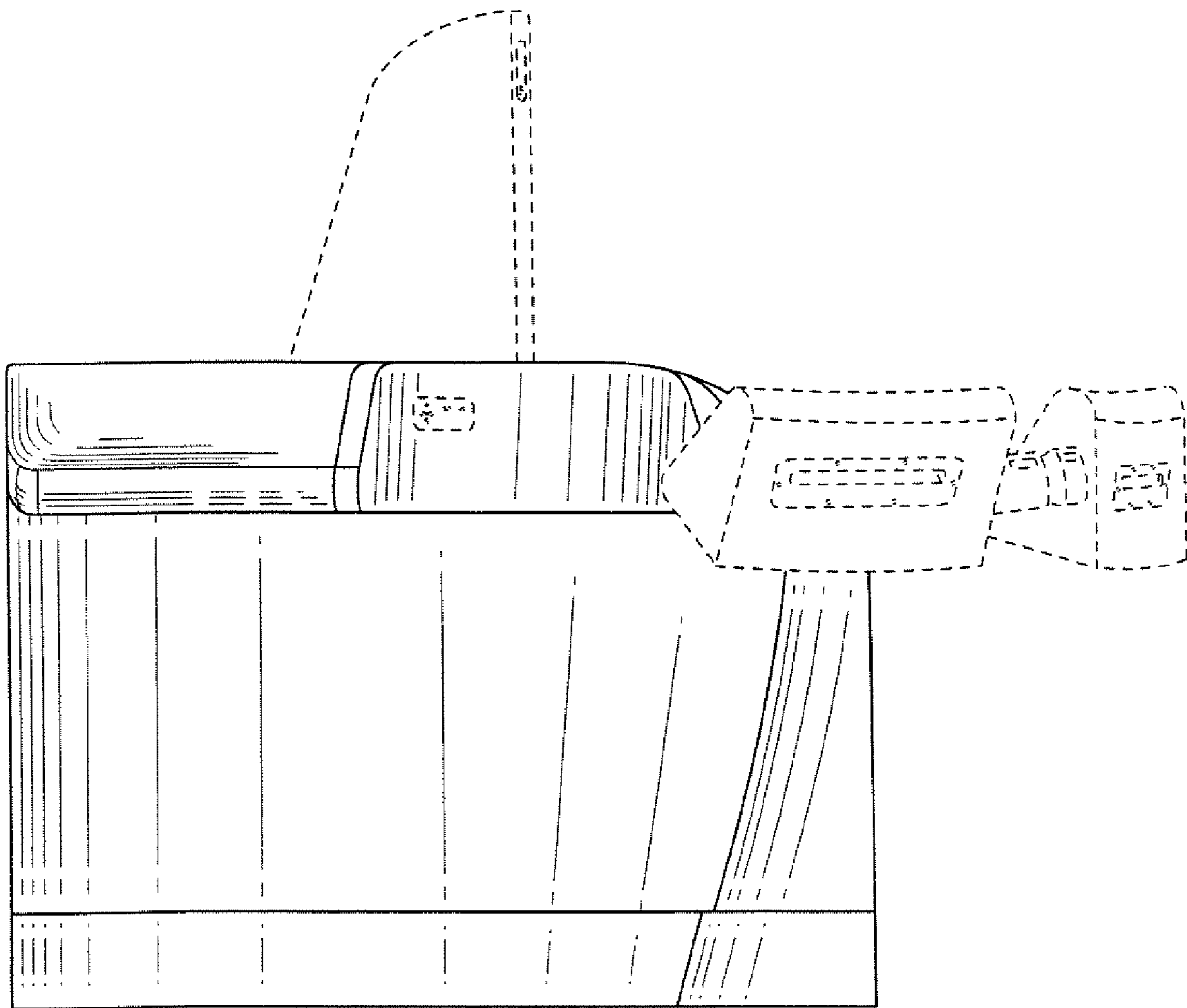


FIG. 4

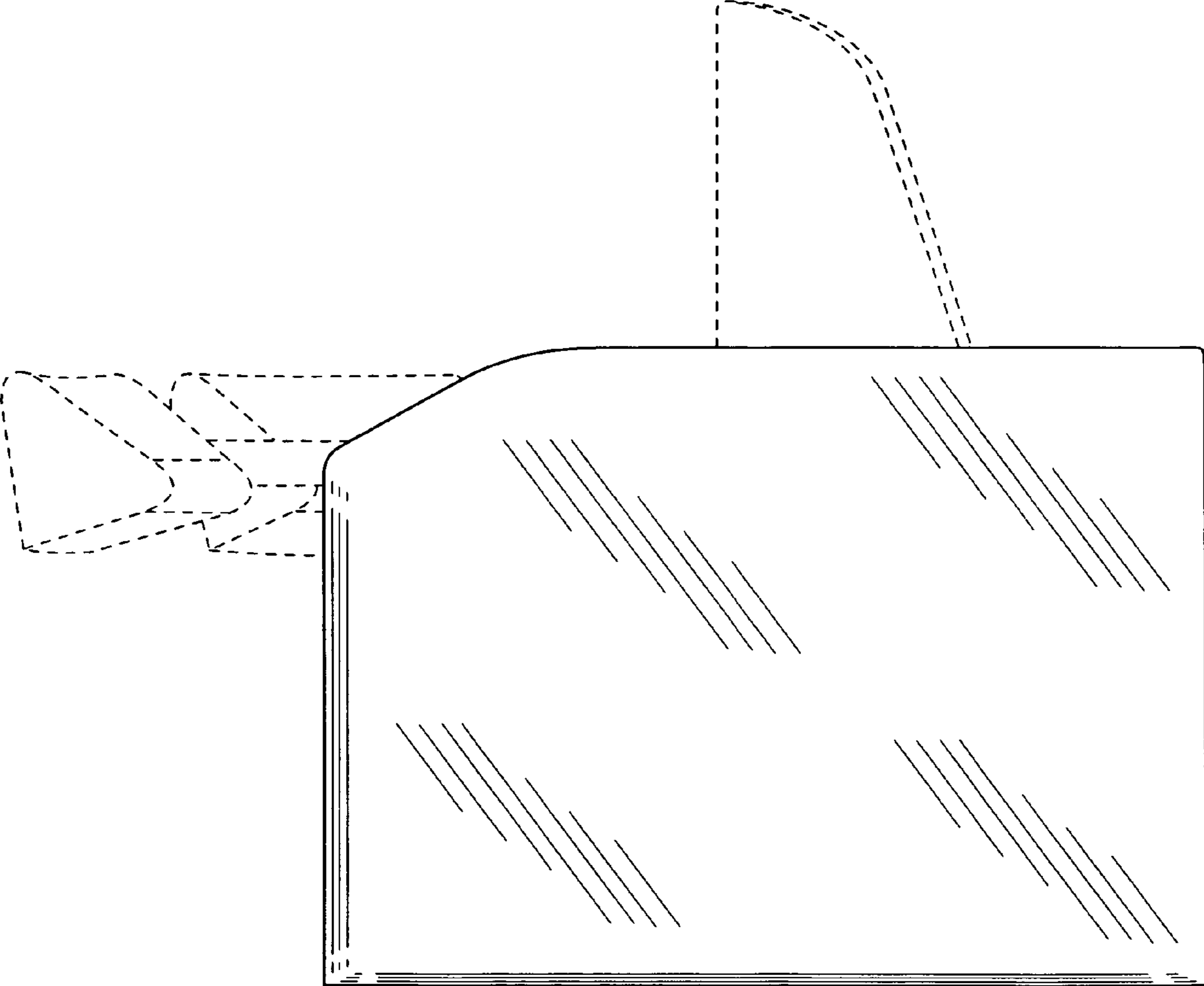


FIG. 5

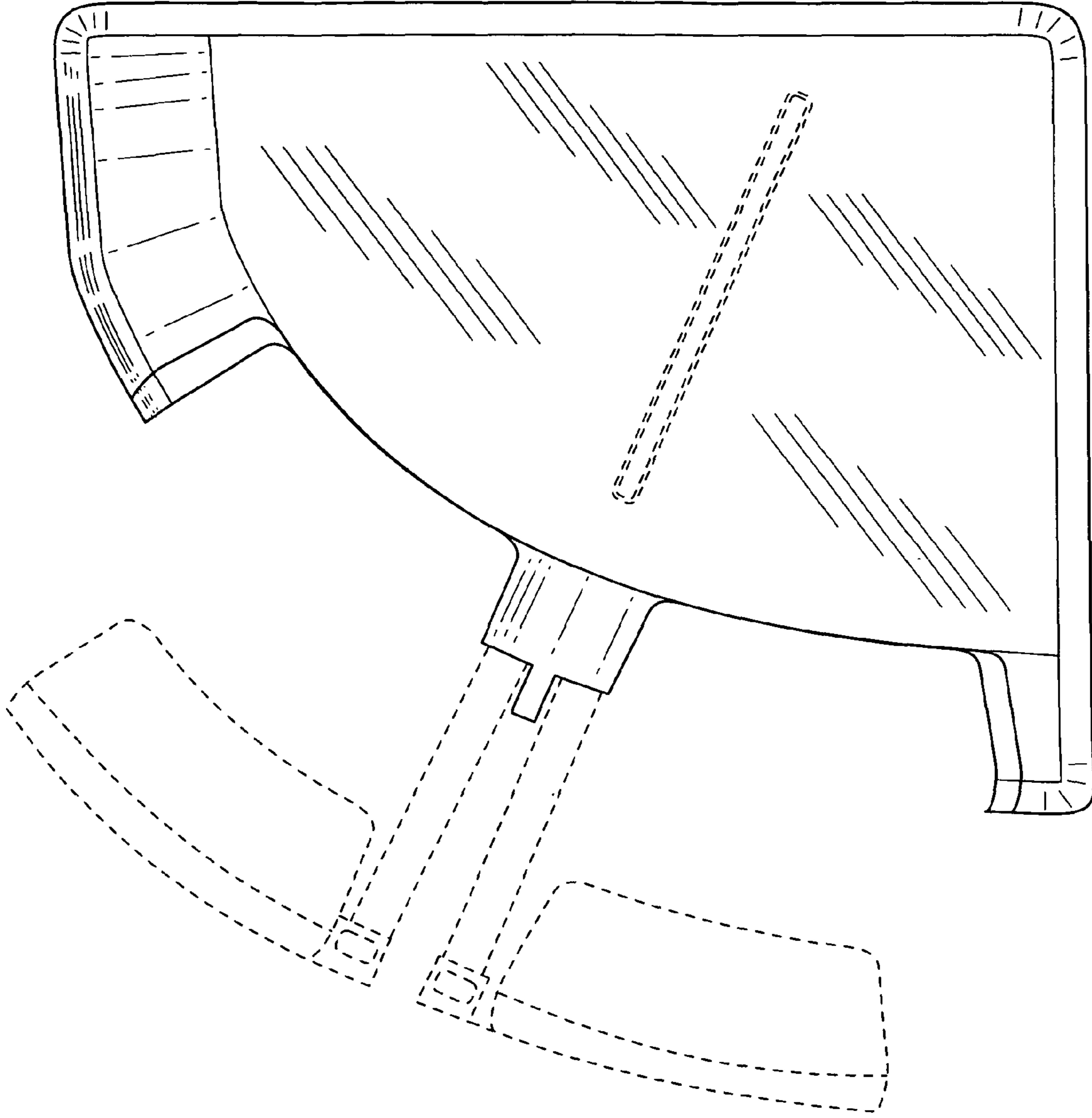


FIG. 6

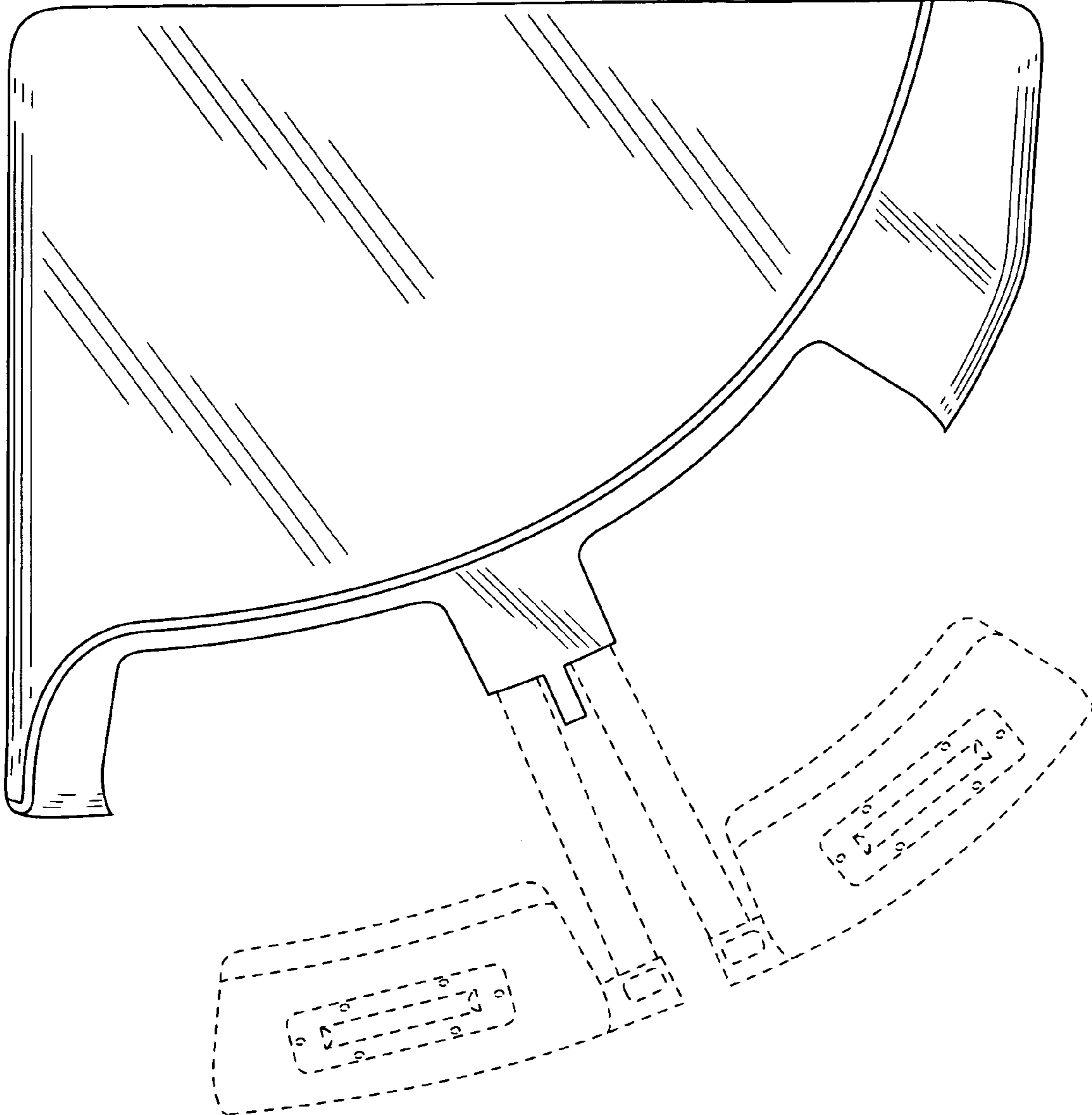


FIG. 7

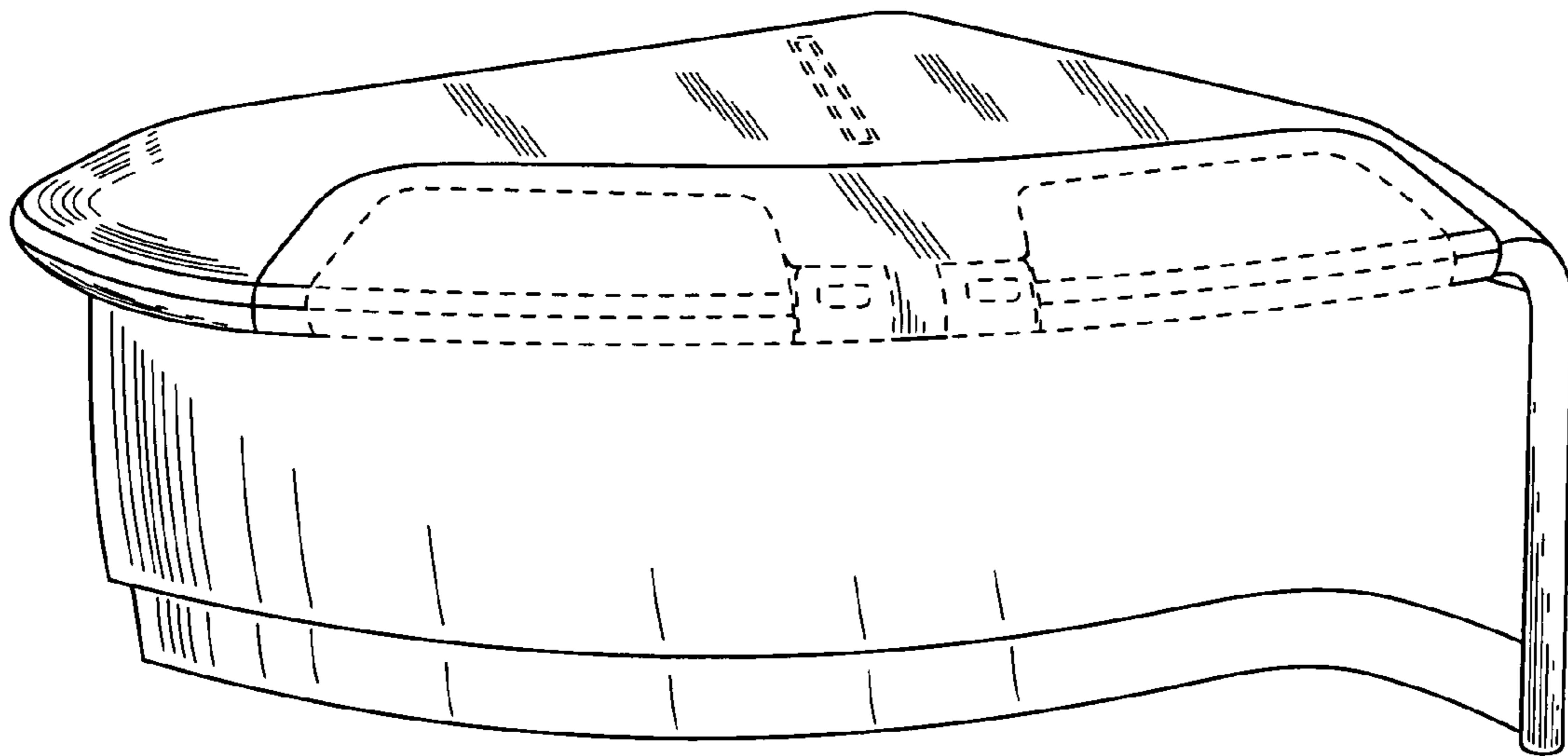


FIG. 8

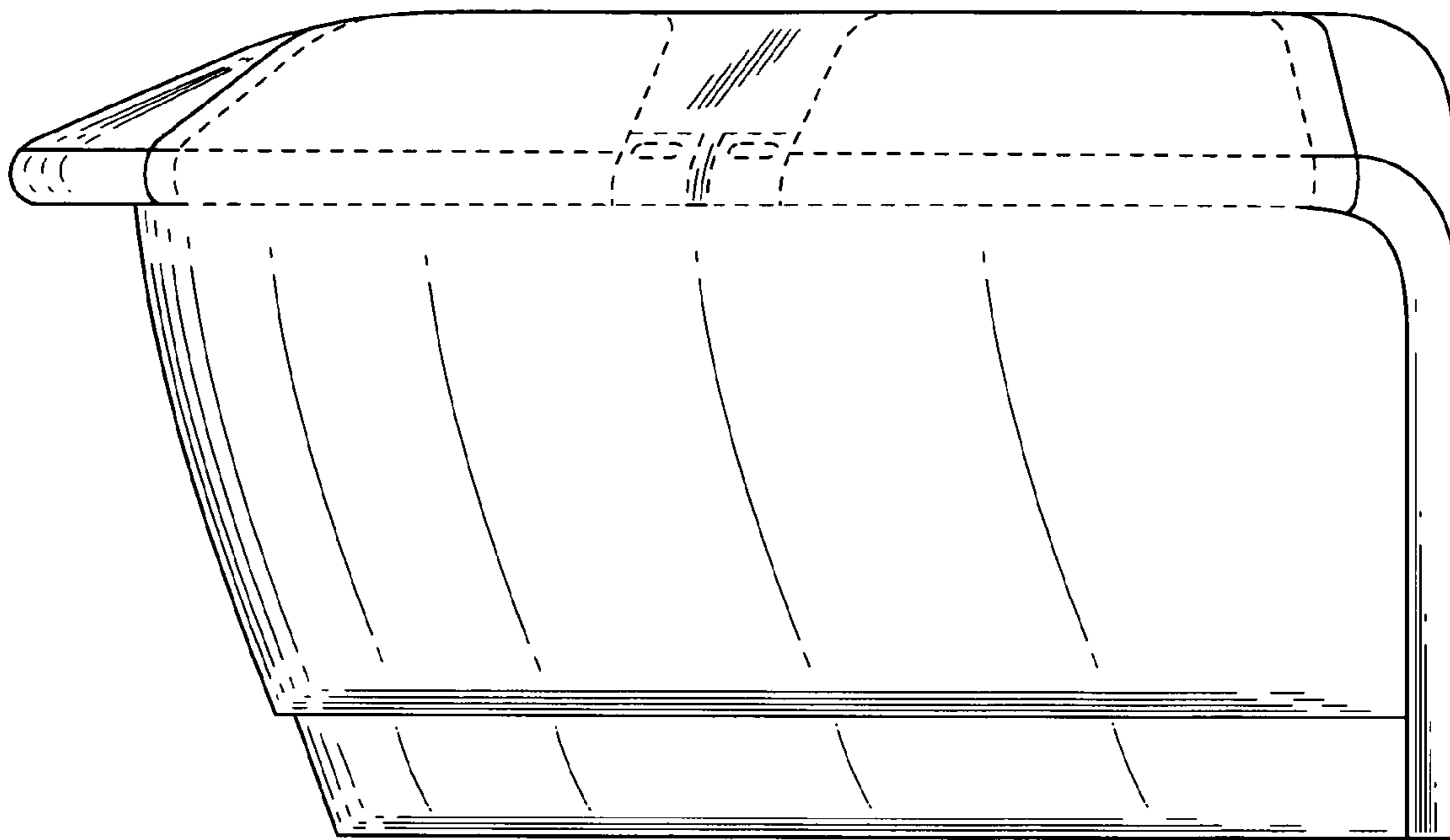


FIG. 9

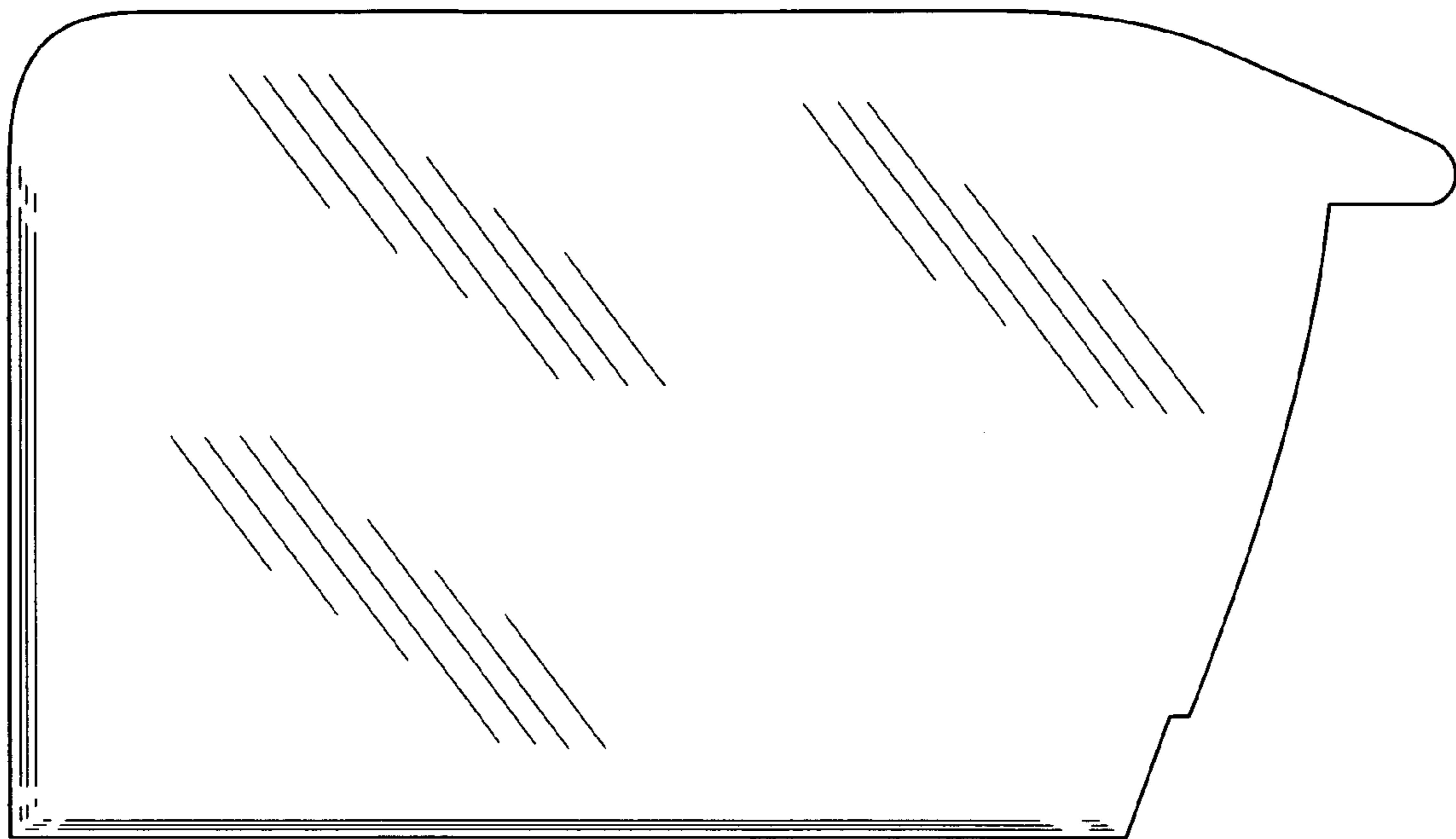


FIG. 10

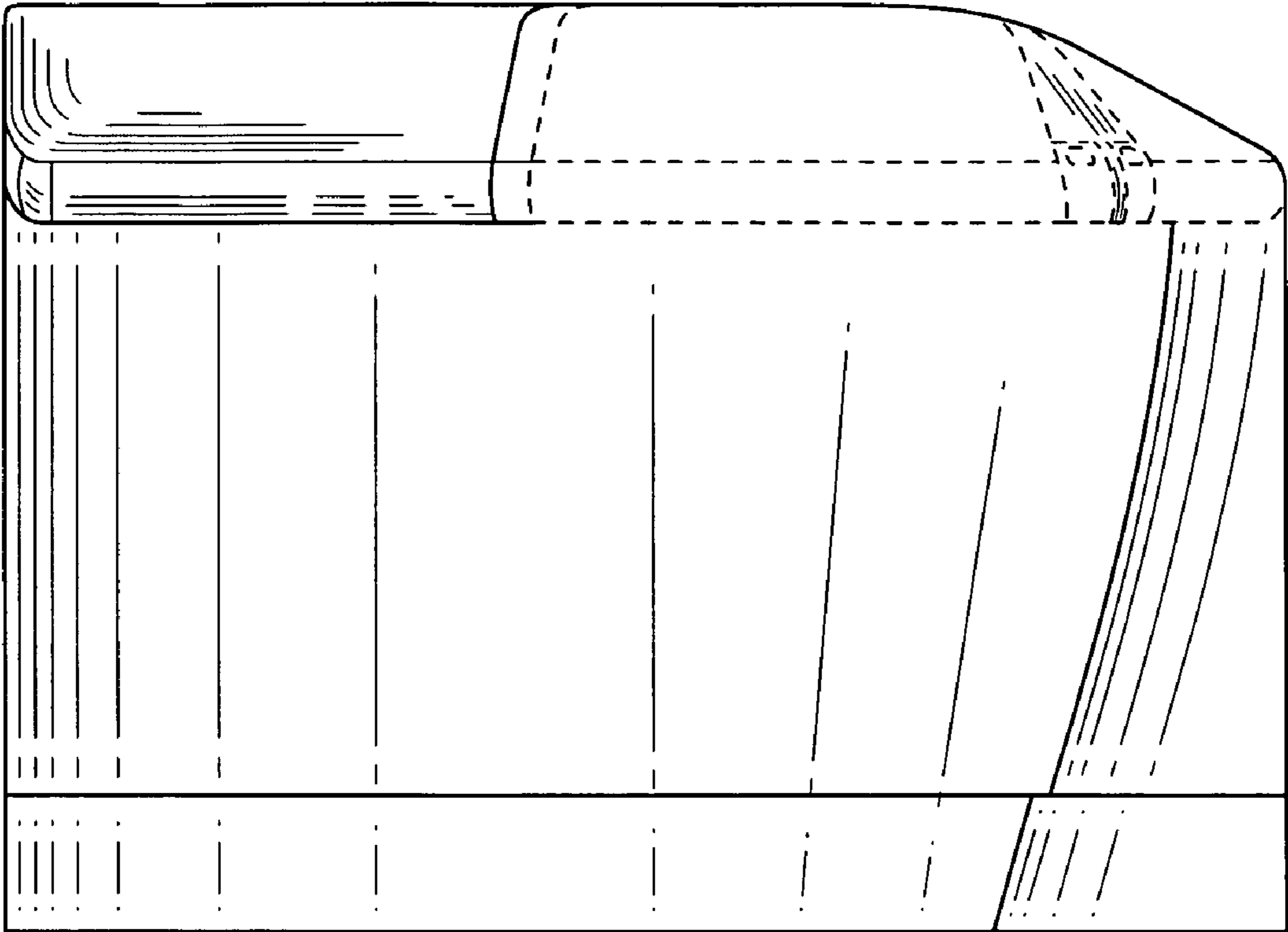


FIG. 11

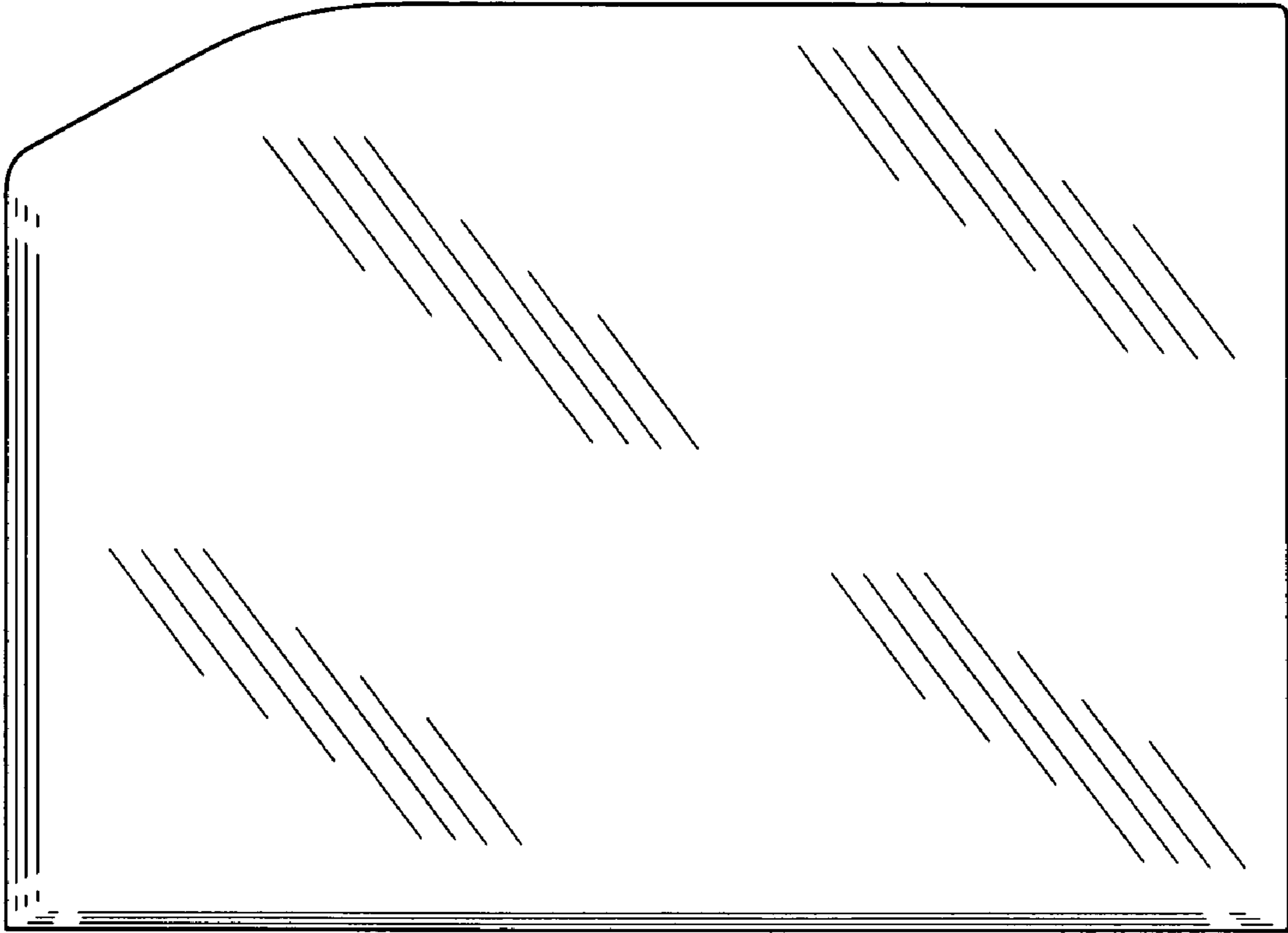


FIG. 12

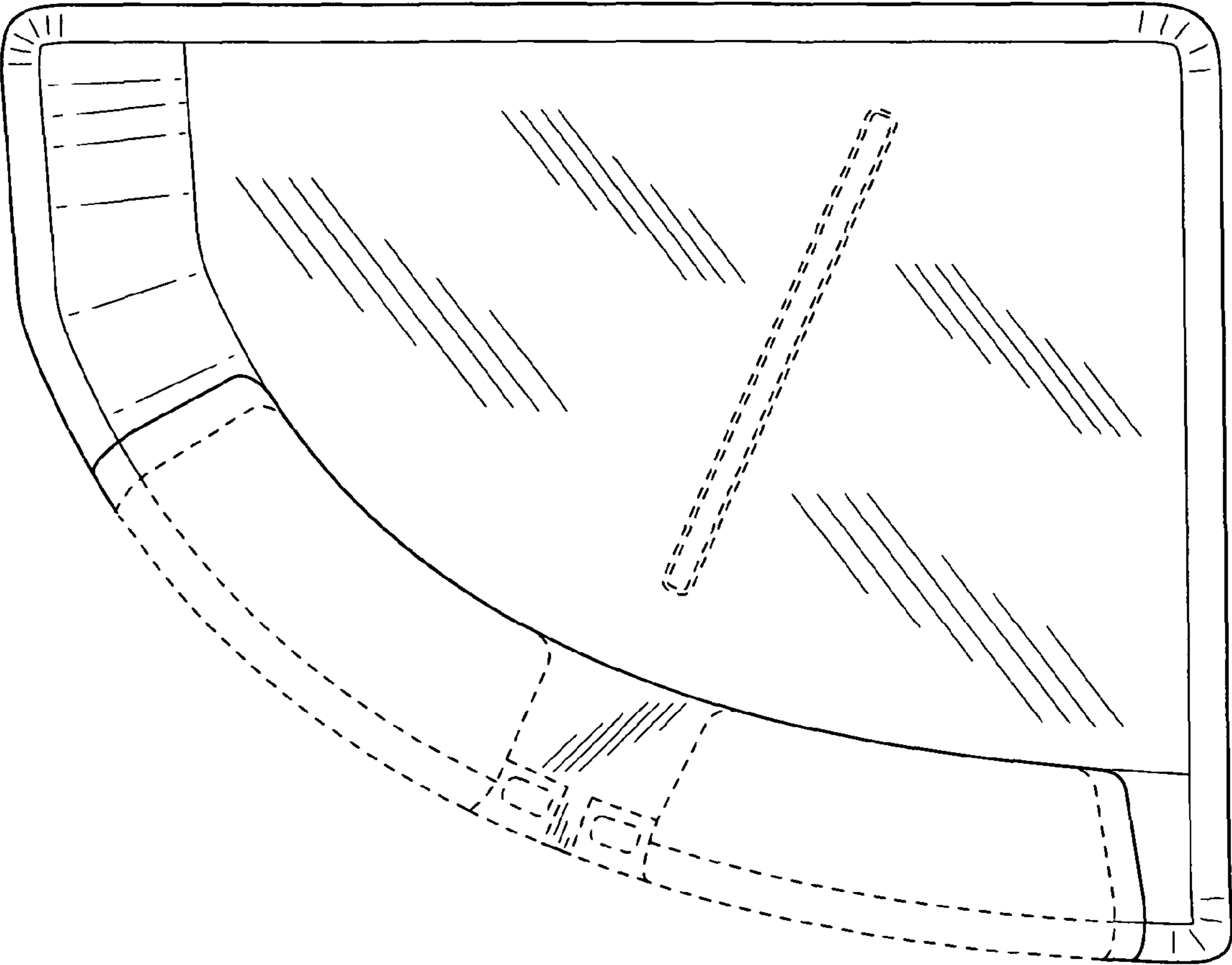


FIG. 13

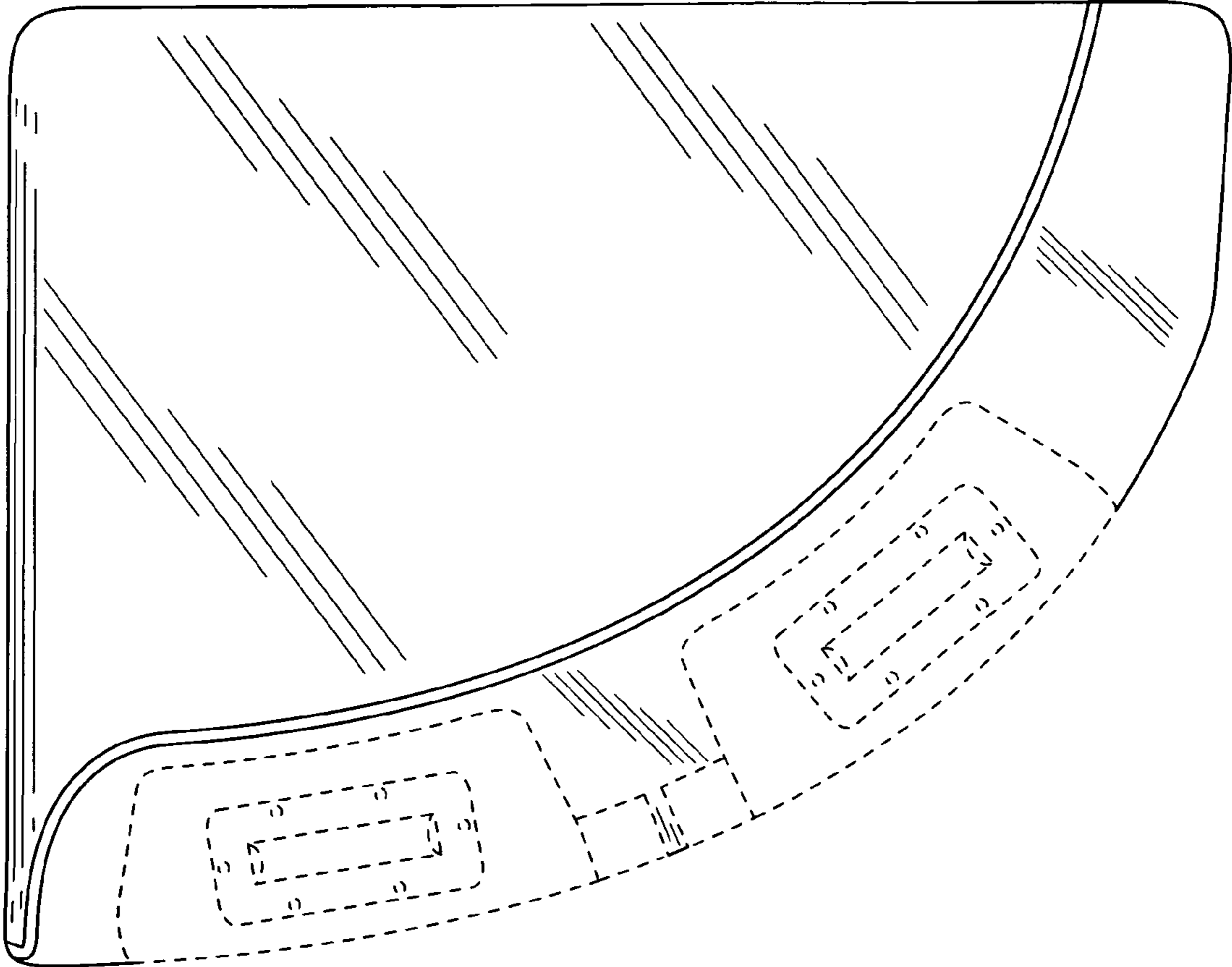


FIG. 14