



US00D610955S

(12) **United States Design Patent**
Kulla

(10) **Patent No.:** **US D610,955 S**
(45) **Date of Patent:** **** Mar. 2, 2010**

- (54) **AUTOMOBILE FRONT BUMPER**
- (75) Inventor: **Matthias Kulla**, Leonberg (DE)
- (73) Assignee: **Dr. Ing. h.c. F. Porsche AG**, Stuttgart (DE)
- (**) Term: **14 Years**
- (21) Appl. No.: **29/299,390**
- (22) Filed: **Dec. 26, 2007**
- (30) **Foreign Application Priority Data**
Jun. 26, 2007 (DE) 4 07 03 358
- (51) **LOC (9) Cl.** **12-16**
- (52) **U.S. Cl.** **D12/169**
- (58) **Field of Classification Search** D12/169,
D12/196, 171, 163, 216, 90-92, 86; 293/102,
293/113, 115, 117, 120; 296/180.1, 180.2
See application file for complete search history.

- (56) **References Cited**
U.S. PATENT DOCUMENTS
D578,451 S * 10/2008 Jodo et al. D12/169
D580,314 S * 11/2008 Yamaji D12/169

- D583,727 S * 12/2008 Sonoda et al. D12/169
- D588,506 S * 3/2009 Maeda et al. D12/169
- D590,307 S * 4/2009 Saracoglu D12/169
- D592,566 S * 5/2009 Saracoglu D12/169
- D592,569 S * 5/2009 Larson D12/169

* cited by examiner
Primary Examiner—Melody N Brown

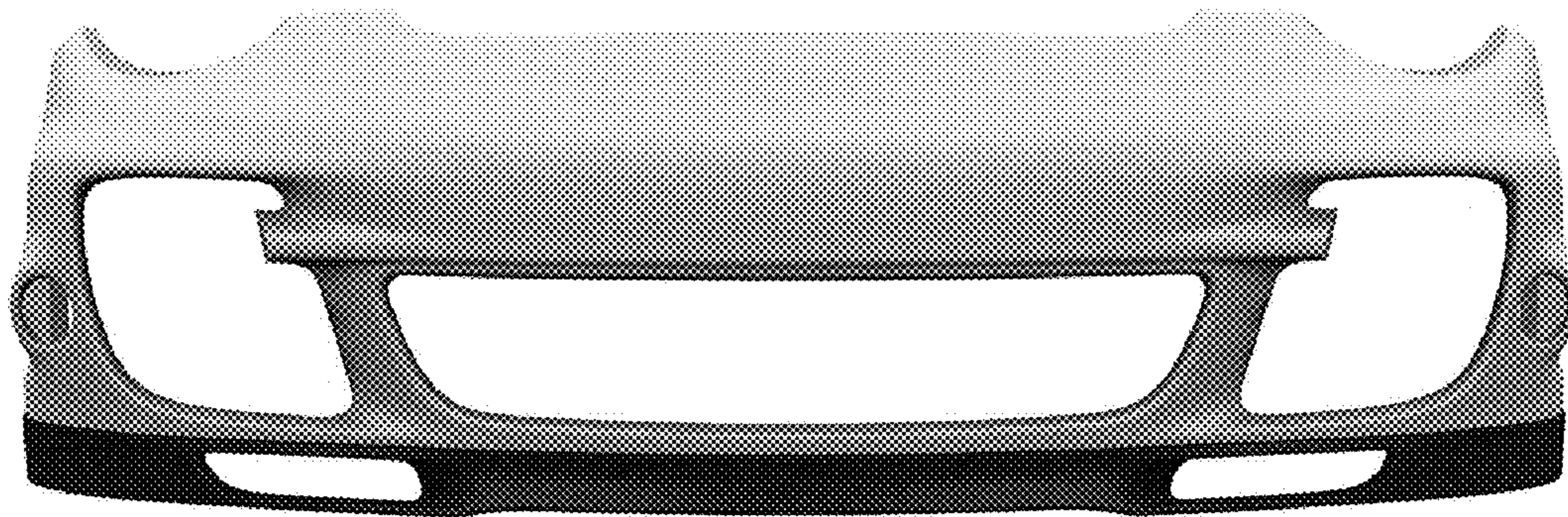
(57) **CLAIM**

The ornamental design for an automobile front bumper, as shown and described.

DESCRIPTION

FIG. 1 is a front elevation view of an automobile front bumper showing my new design;
FIG. 2 is a rear view thereof;
FIG. 3 is a left-side view thereof;
FIG. 4 is a right-side view thereof;
FIG. 5 is a top, plan view thereof;
FIG. 6 is a bottom, plan view thereof; and,
FIG. 7 is a perspective view thereof.

1 Claim, 4 Drawing Sheets



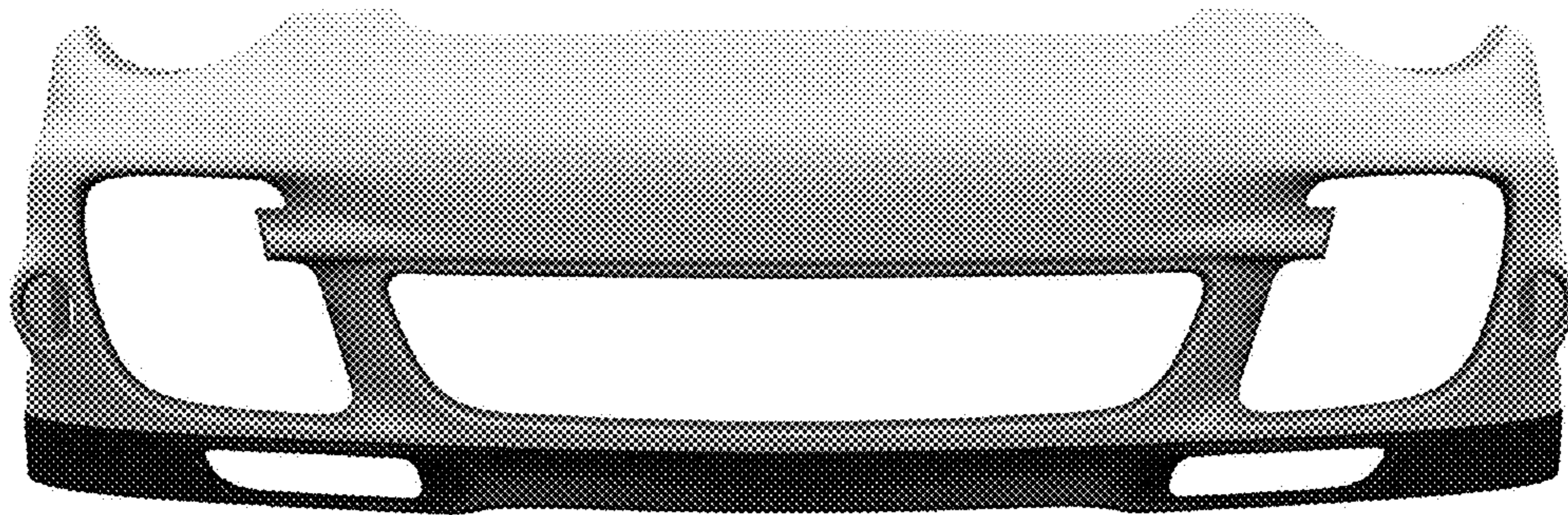


FIG. 1

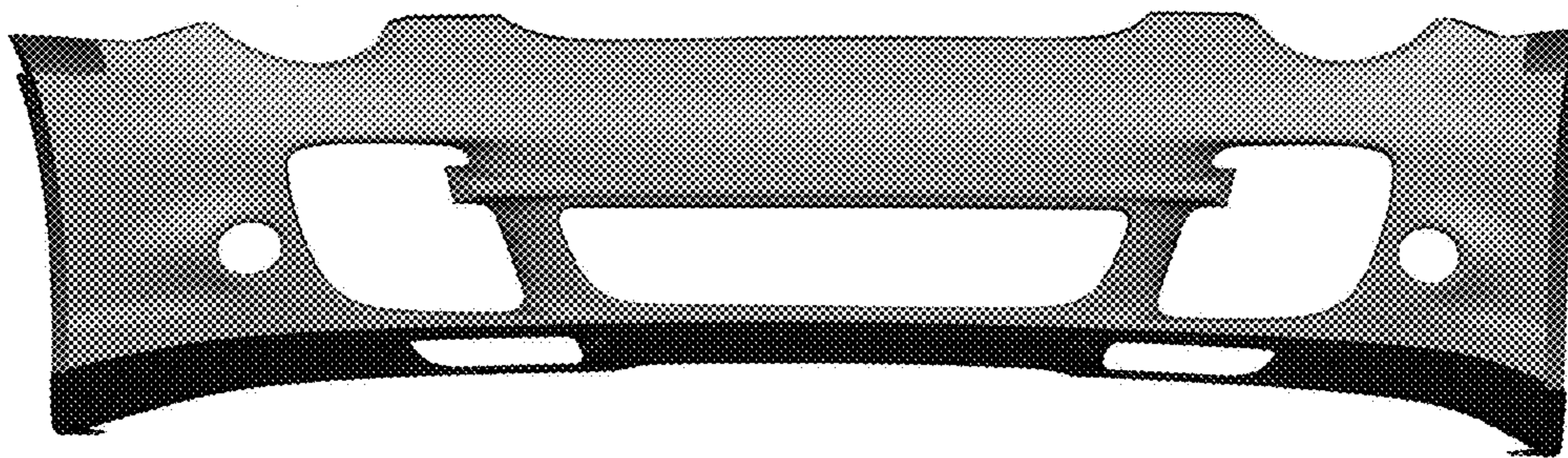


FIG. 2

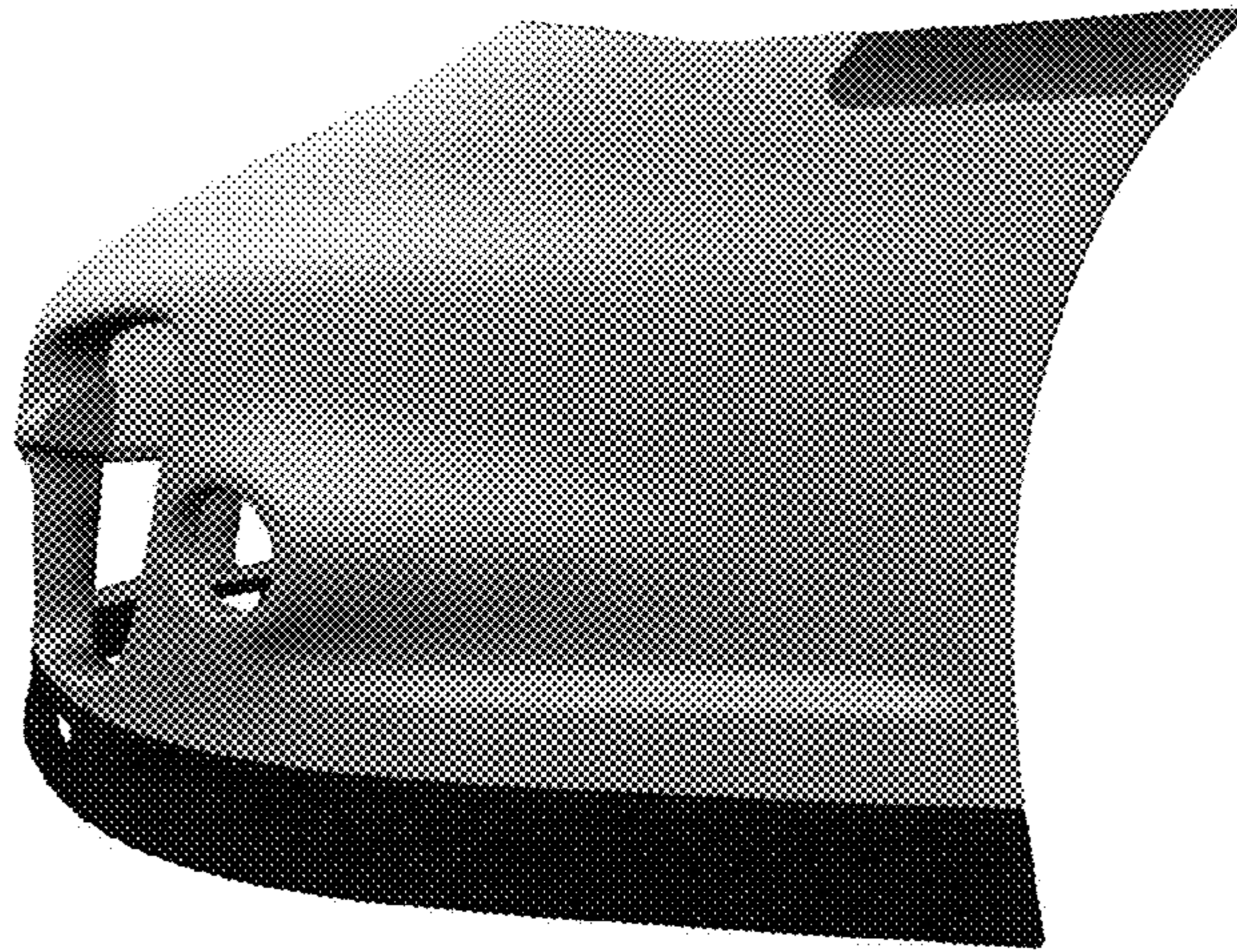


FIG. 3

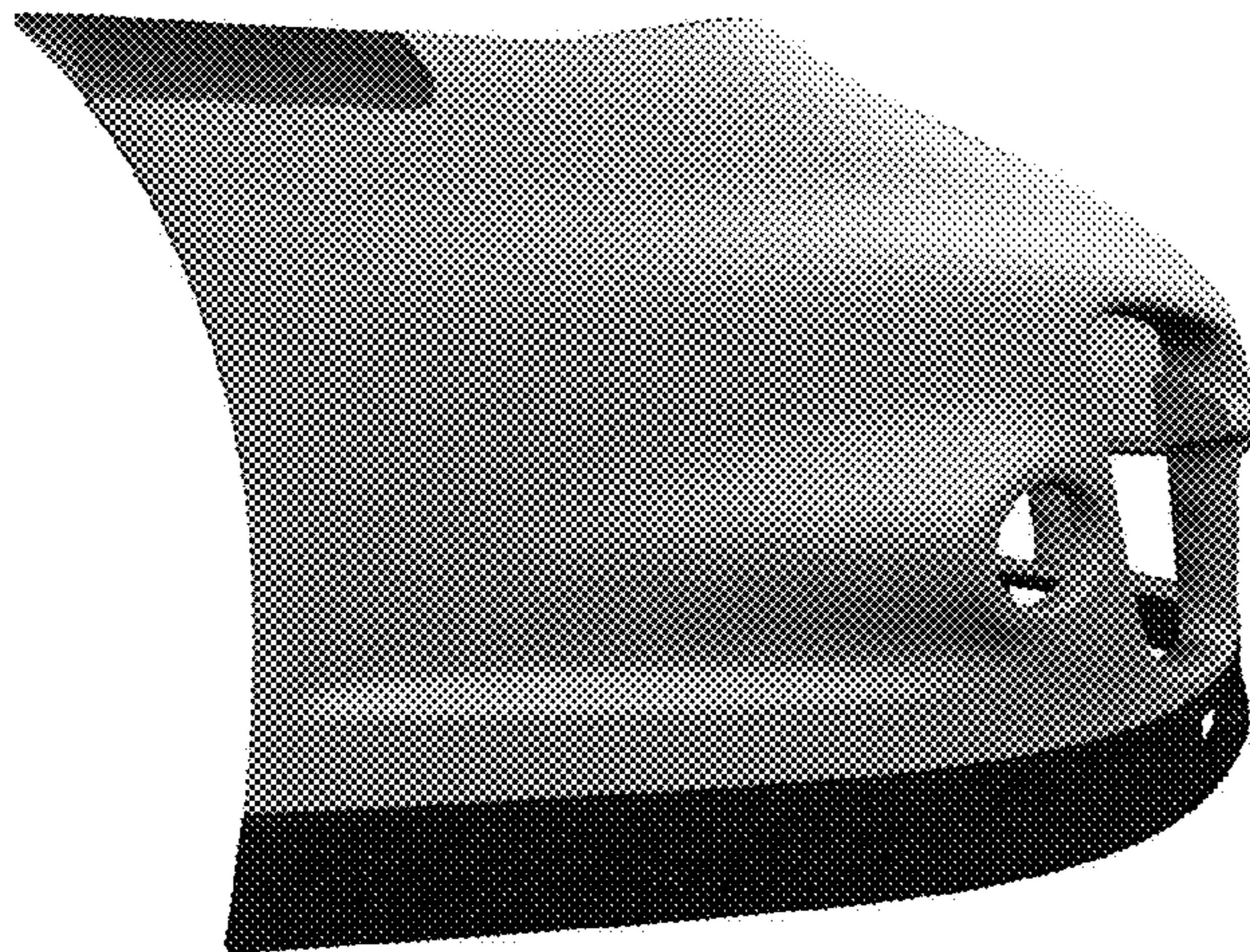


FIG. 4

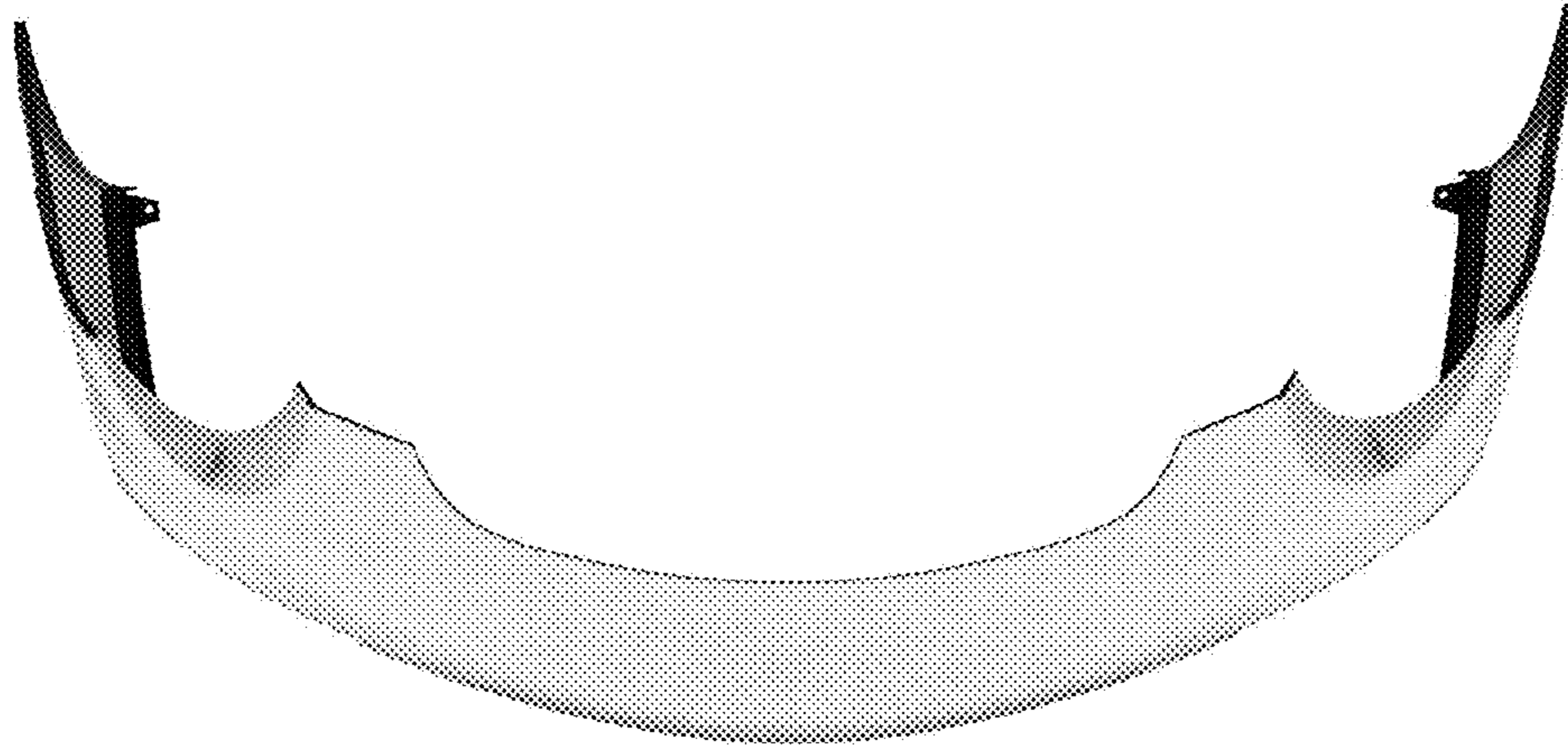


FIG. 5

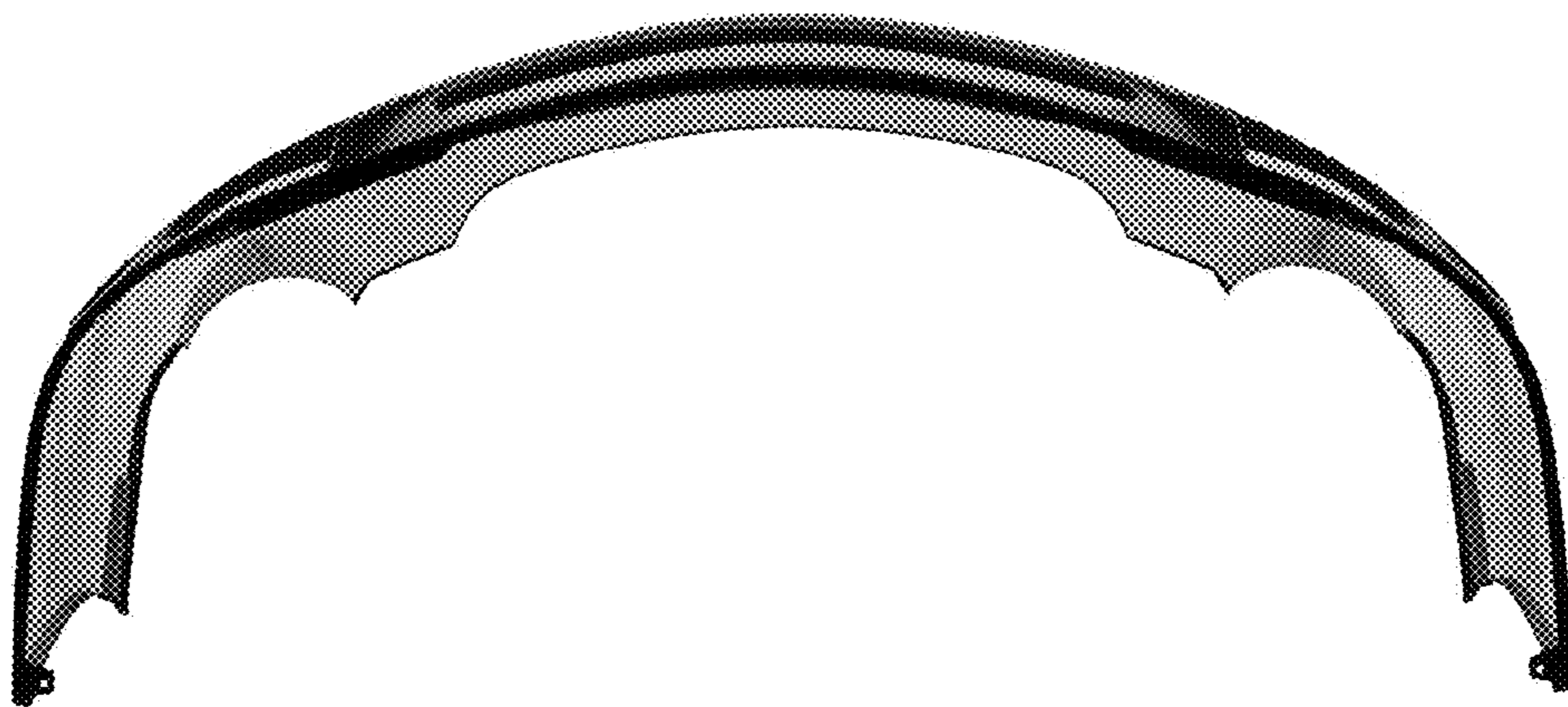


FIG. 6

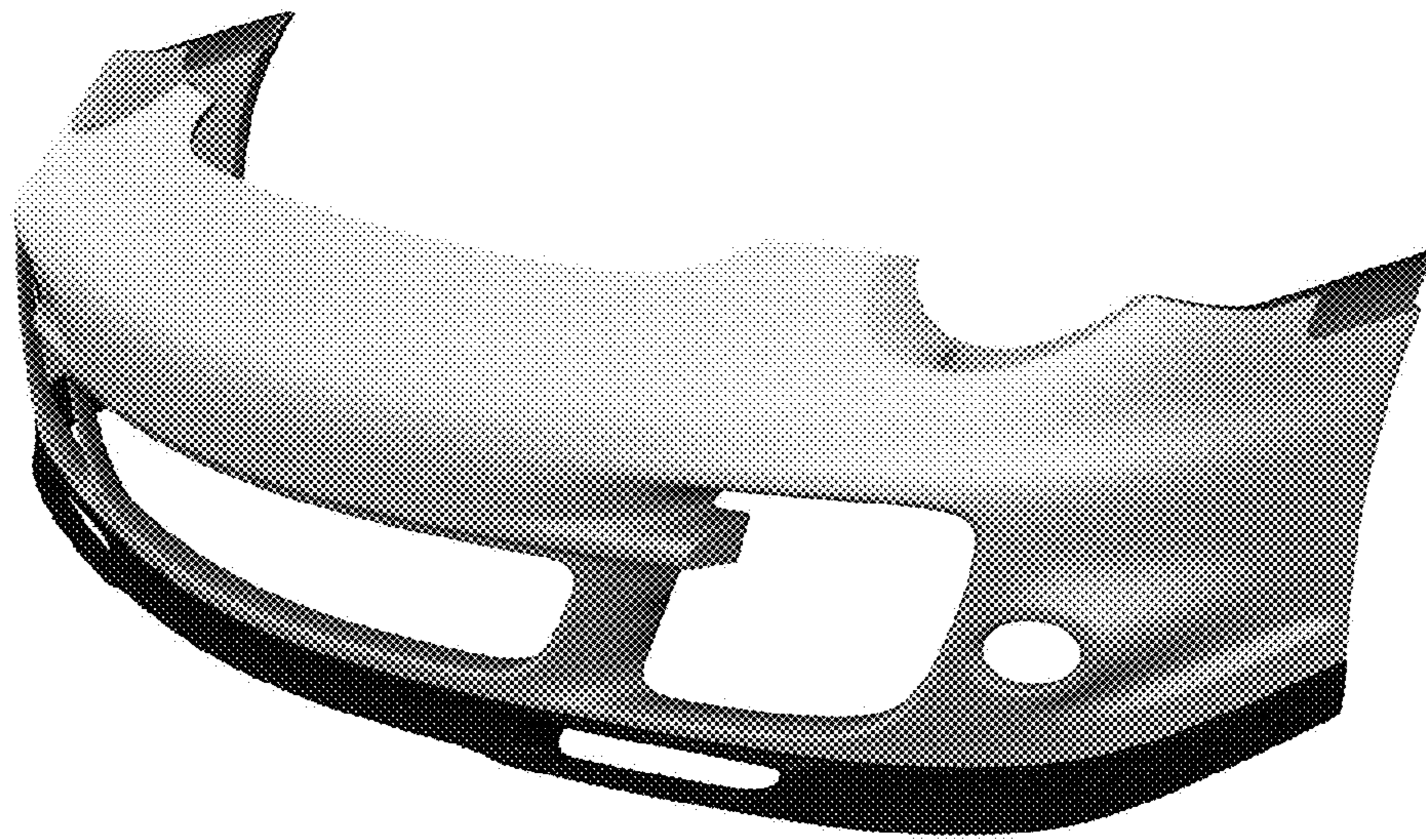


FIG. 7