



US00D610954S

(12) **United States Design Patent**
Tambornino

(10) **Patent No.:** **US D610,954 S**
(45) **Date of Patent:** **** Mar. 2, 2010**

(54) **CURVED BALL HITCH**

(75) Inventor: **Curt Tambornino**, Altoona, WI (US)

(73) Assignee: **Curt Manufacturing, Inc.**, Eau Claire, WI (US)

(**) Term: **14 Years**

(21) Appl. No.: **29/335,950**

(22) Filed: **Apr. 24, 2009**

(51) **LOC (9) Cl.** **12-16**

(52) **U.S. Cl.** **D12/162**

(58) **Field of Classification Search** D12/161-162,
D12/400; 280/186, 402-404, 405.1-405.2,
280/407-407.1, 415.1, 416.1-416.3, 477,
280/479.2, 482-483, 490.1, 491.1-491.5,
280/493-495, 498-499, 507, 509, 511-513;
224/500-537

See application file for complete search history.

(56) **References Cited**

U.S. PATENT DOCUMENTS

2,639,160	A *	5/1953	Studebaker et al.	280/495
4,348,035	A *	9/1982	Wasservogel	280/478.1
4,923,205	A *	5/1990	Durm	280/491.3
5,000,474	A *	3/1991	Kristensen	280/491.5
5,242,186	A *	9/1993	Pettersson	280/511
5,730,456	A	3/1998	Bowers		
5,735,539	A	4/1998	Kravitz		
D431,216	S *	9/2000	Belinky	D12/162
6,203,048	B1	3/2001	Adair		
6,241,271	B1 *	6/2001	Belinky	280/511
6,481,258	B1 *	11/2002	Belinky	72/324
D466,844	S	12/2002	Billings		
D469,723	S	2/2003	McCoy		
6,536,794	B2	3/2003	Hancock et al.		
6,547,271	B2 *	4/2003	Kleb et al.	280/491.3
6,581,953	B2	6/2003	Jerry		
6,709,002	B2	3/2004	Tambornino		

6,746,038	B2	6/2004	McCoy et al.		
6,860,503	B2 *	3/2005	Aufderheide et al.	280/491.3
D519,065	S	4/2006	Tambornino		
7,159,890	B2 *	1/2007	Craig et al.	280/511
7,216,886	B2 *	5/2007	Rimmelspacher et al.	280/491.3
7,273,222	B2 *	9/2007	Rampp	280/491.3
2004/0075244	A1 *	4/2004	Reutlinger et al.	280/491.3

(Continued)

OTHER PUBLICATIONS

Towing Services UK, Brink Towbar Products, <http://www.brinktowbars.co.uk/new/towbars.htm>.

(Continued)

Primary Examiner—T. Chase Nelson
Assistant Examiner—Kathleen M Sims
(74) *Attorney, Agent, or Firm*—Shewchuk IP Services, LLC;
Jeffrey D. Shewchuk

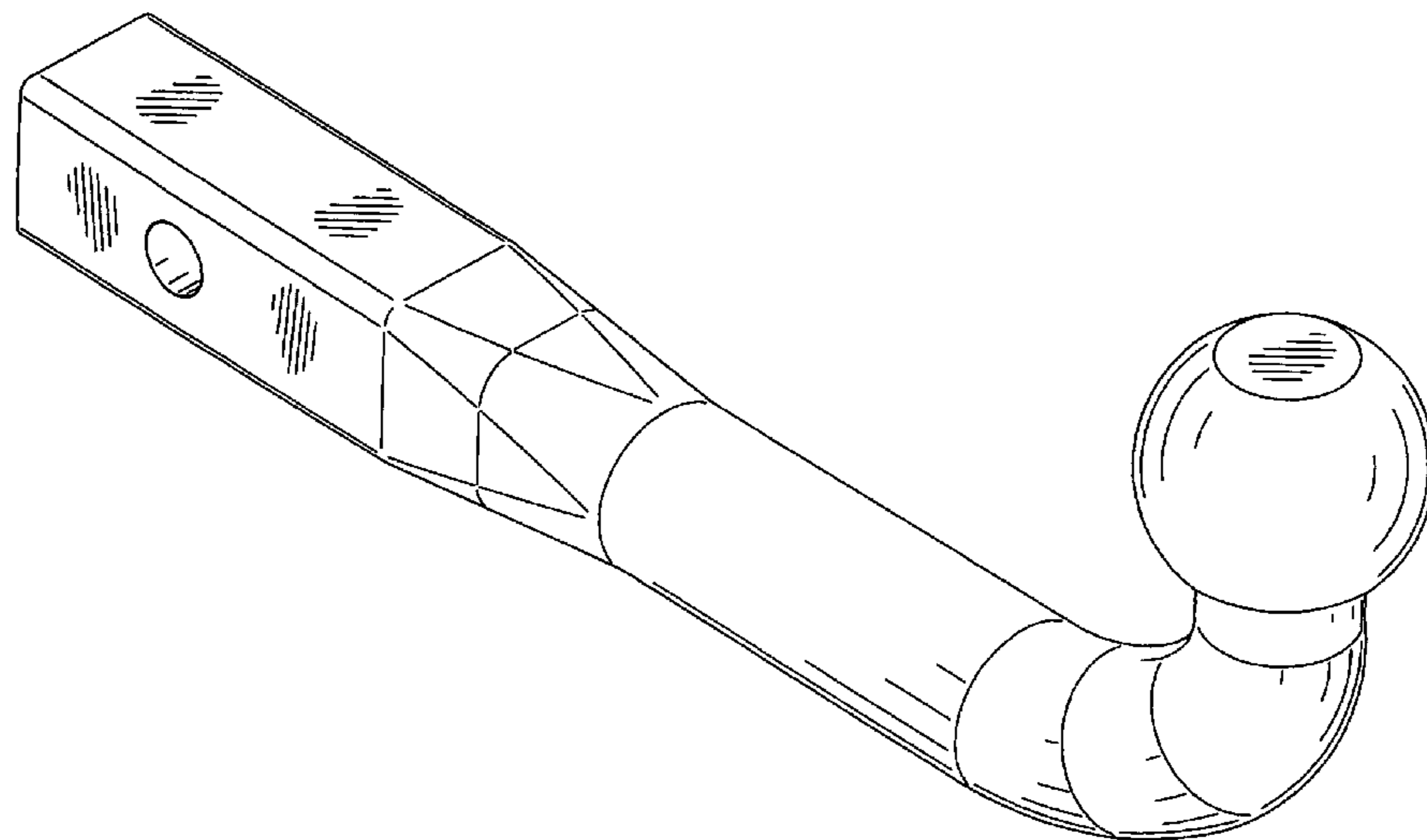
(57) **CLAIM**

The ornamental design for a curved ball hitch, as shown and described.

DESCRIPTION

FIG. 1 is a top perspective view of a curved ball hitch showing my new design.
FIG. 2 is a left side view showing the curved ball hitch of FIG. 1.
FIG. 3 is top view of the curved ball hitch of FIGS. 1-2.
FIG. 4 is a rear view of the curved ball hitch of FIGS. 1-3.
FIG. 5 is a right side view of the curved ball hitch of FIGS. 1-4.
FIG. 6 is a bottom view of the curved ball hitch of FIGS. 1-5; and,
FIG. 7 is a front view of the curved ball hitch of FIGS. 1-6.

1 Claim, 3 Drawing Sheets



US D610,954 S

Page 2

U.S. PATENT DOCUMENTS

2004/0100066 A1 5/2004 Andersen
2005/0046148 A1* 3/2005 Reutlinger et al. 280/491.3
2006/0071448 A1* 4/2006 Craig et al. 280/511
2008/0036179 A1* 2/2008 Andersen 280/511

OTHER PUBLICATIONS

BrinkMatic Mirage Manual, 2002/1.
<http://tdiparts.com/catalog/images/parts/b55bosalAK6.jpg>.
BrinkMatic Advance User Manual, Brink International 2004.
* cited by examiner

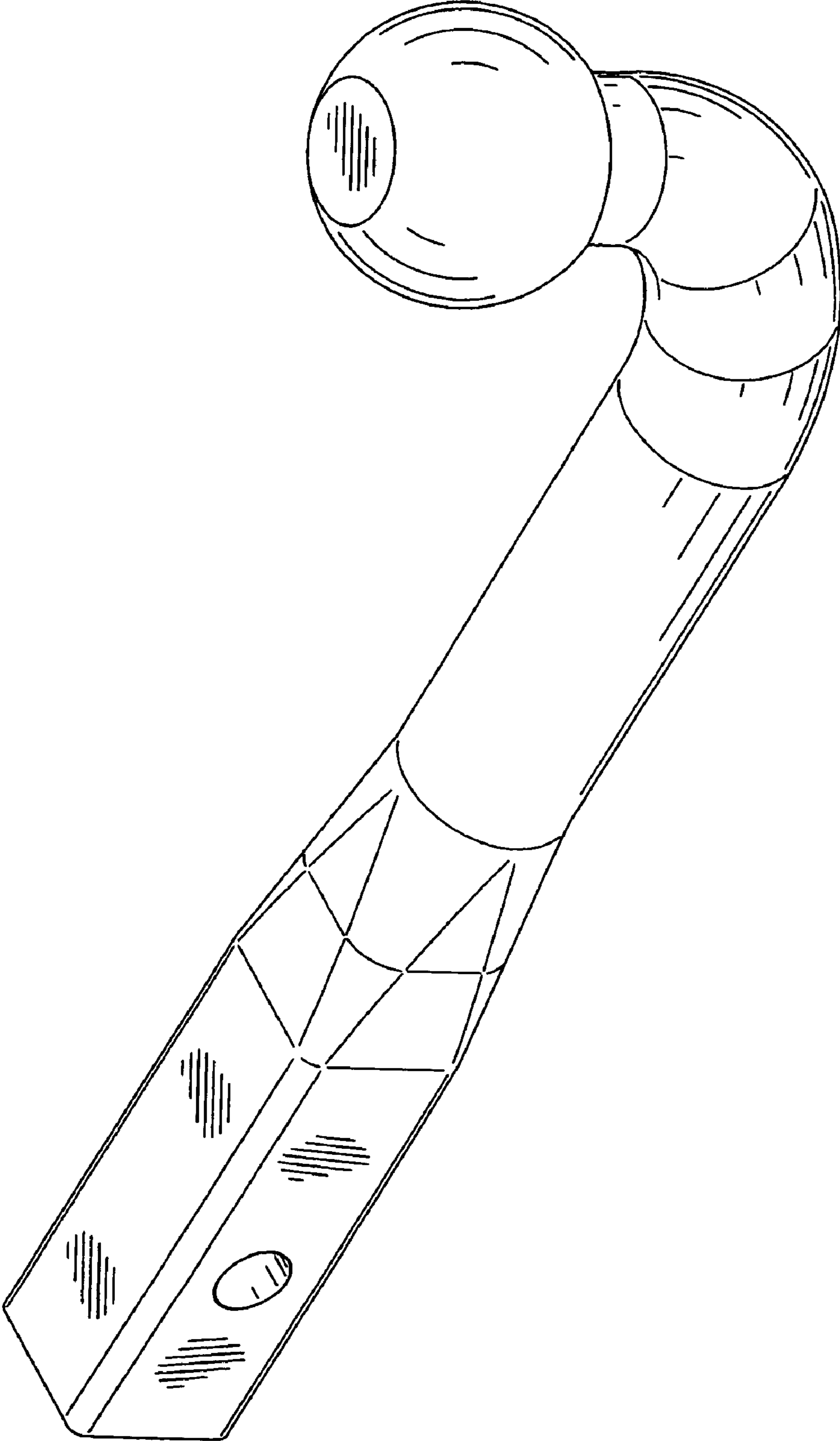


FIG. 1

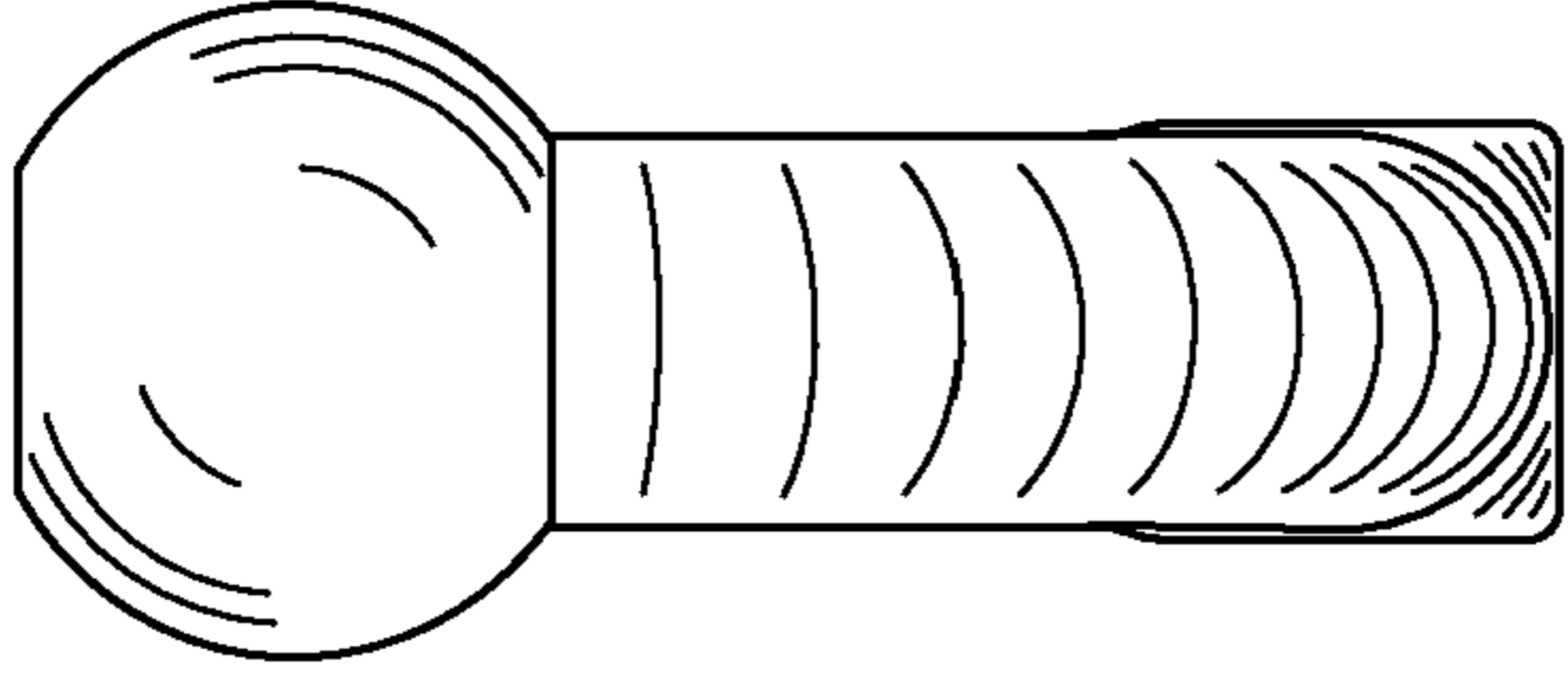


FIG. 4

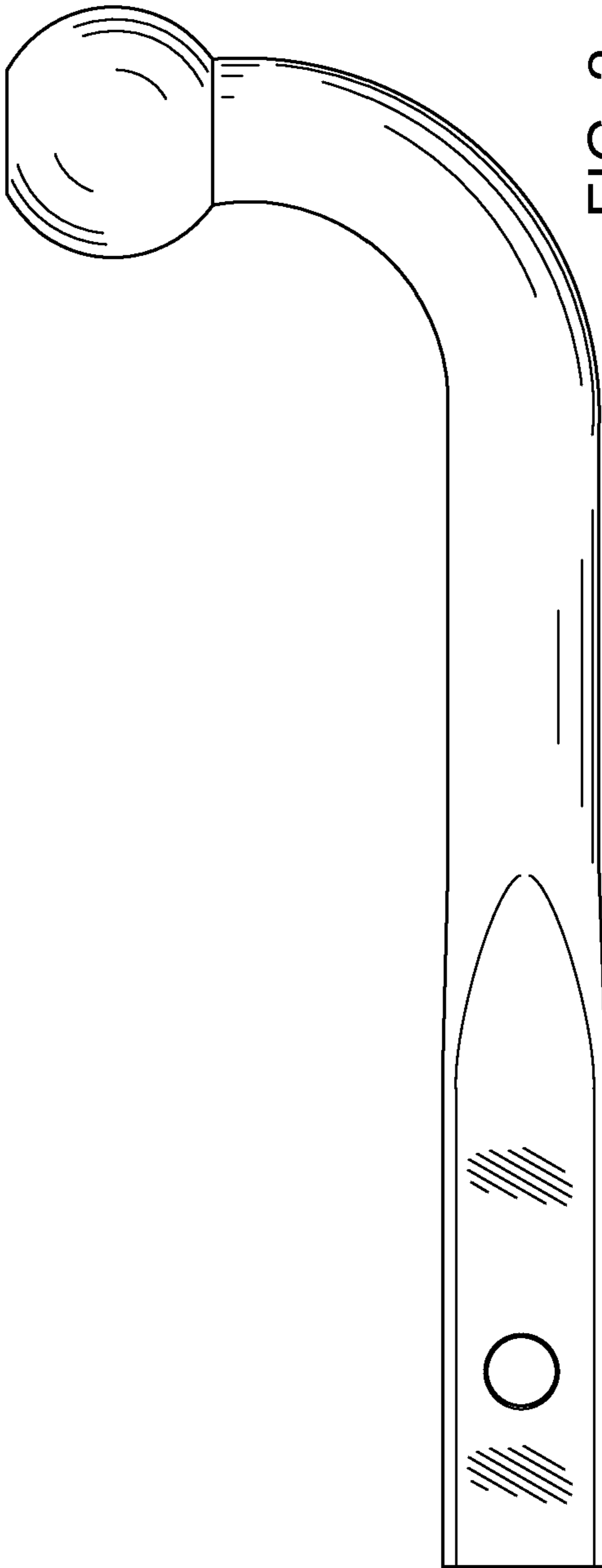


FIG. 2

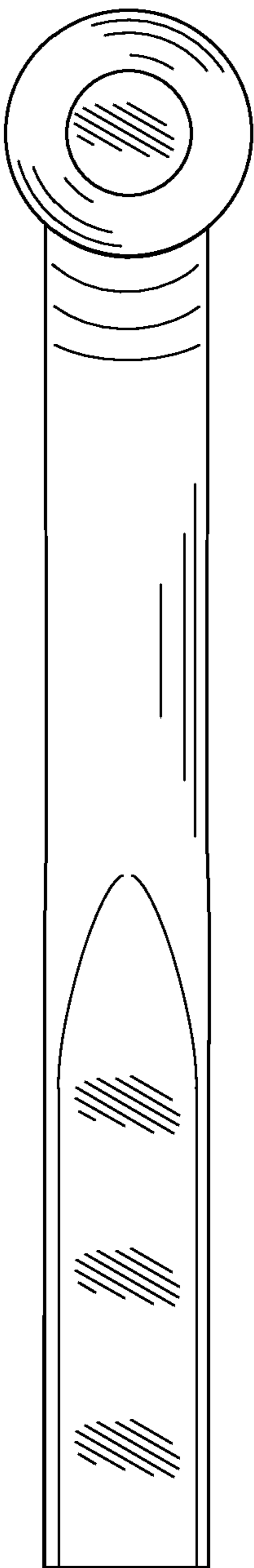


FIG. 3

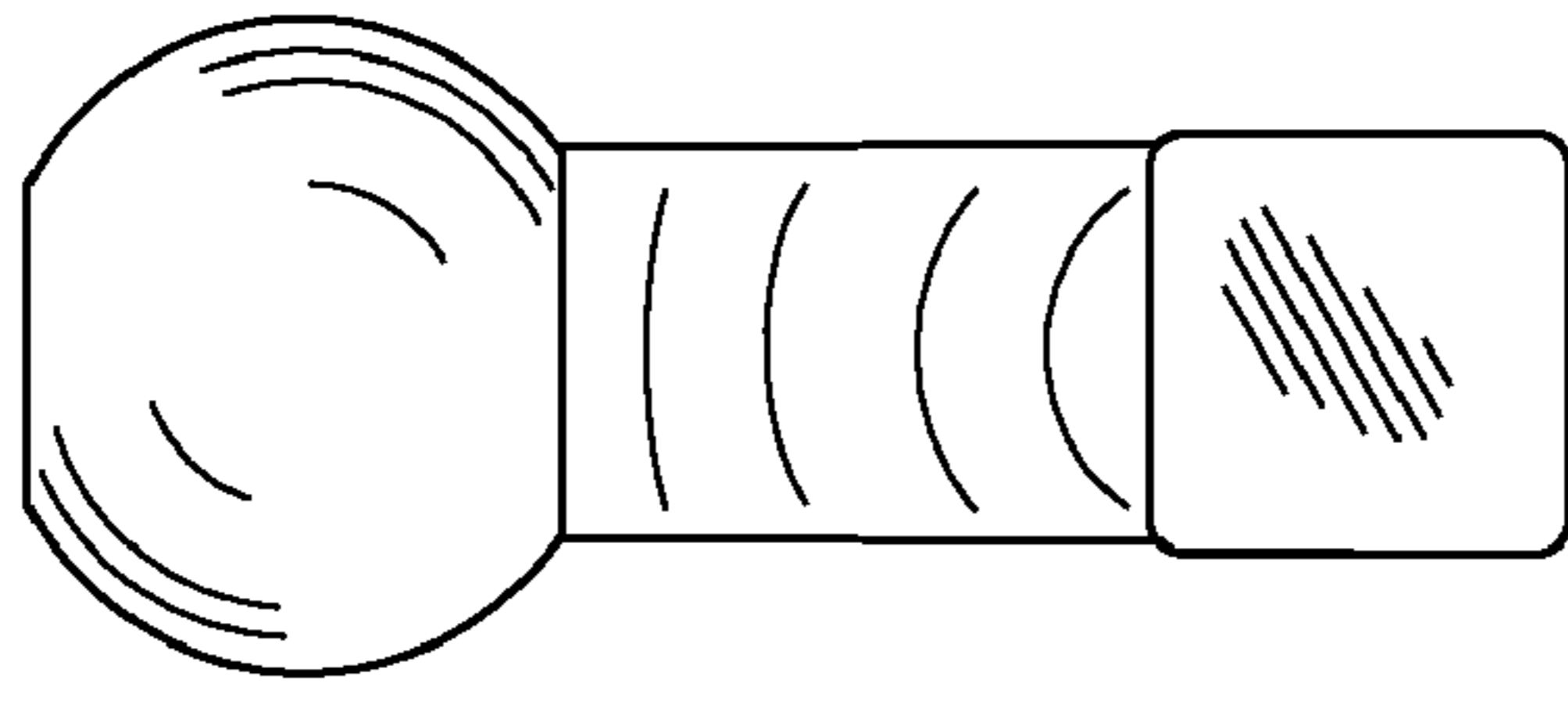


FIG. 7

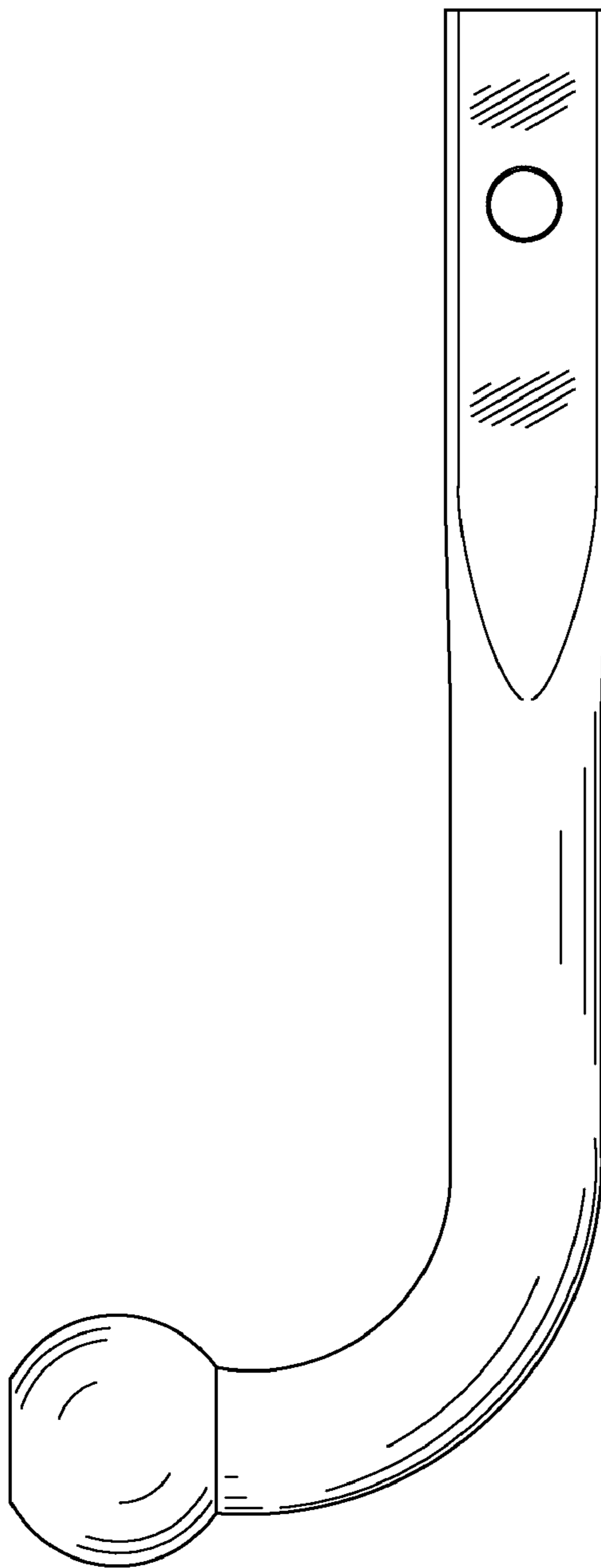


FIG. 5

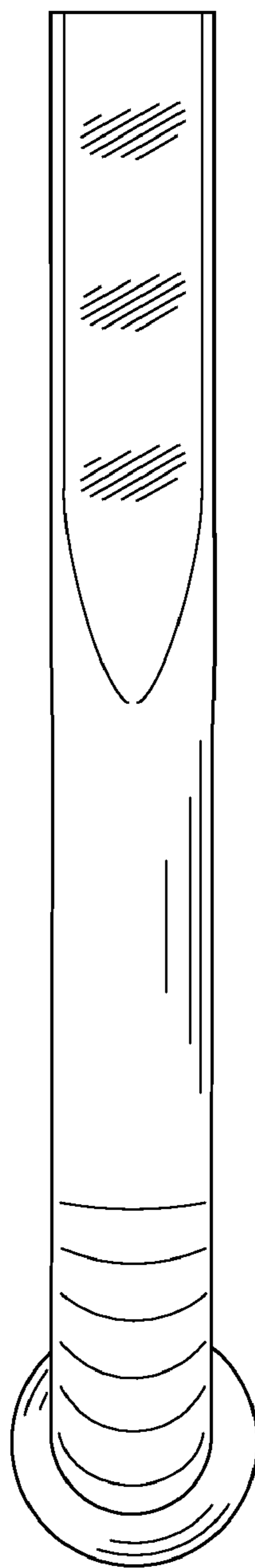


FIG. 6