



US00D610953S

(12) **United States Design Patent**
Eckhart

(10) **Patent No.:** **US D610,953 S**
(45) **Date of Patent:** **** Mar. 2, 2010**

(54) **TOW BAR**

D569,770 S * 5/2008 Biery, Jr. D12/162

(76) Inventor: **Richard A. Eckhart**, 5720 White Cloud Cir., Westlake Village, CA (US) 91362

* cited by examiner

(**) Term: **14 Years**

Primary Examiner—T. Chase Nelson
Assistant Examiner—Kathleen M Sims
(74) *Attorney, Agent, or Firm*—Robert M. Ashen

(21) Appl. No.: **29/314,168**

(22) Filed: **Mar. 7, 2009**

(57) **CLAIM**

The ornamental design for a tow bar, as shown and described.

(51) **LOC (9) Cl.** **12-16**

(52) **U.S. Cl.** **D12/162**

(58) **Field of Classification Search** D12/106,
D12/161–162, 199; 280/186, 402–404, 405.1–405.2,
280/407, 407.1–407.2, 416.2, 433–434, 438 R,
280/455.1, 491.2, 491.5, 494

DESCRIPTION

FIG. 1 is a perspective view of the tow bar of the invention, showing in broken line for purposes of background only a safety chain and attachment cotter pins.

See application file for complete search history.

FIG. 2 is a top plan view of the tow bar of FIG. 1.

FIG. 3 is a rear-perspective view of the tow bar of FIG. 1.

(56) **References Cited**

U.S. PATENT DOCUMENTS

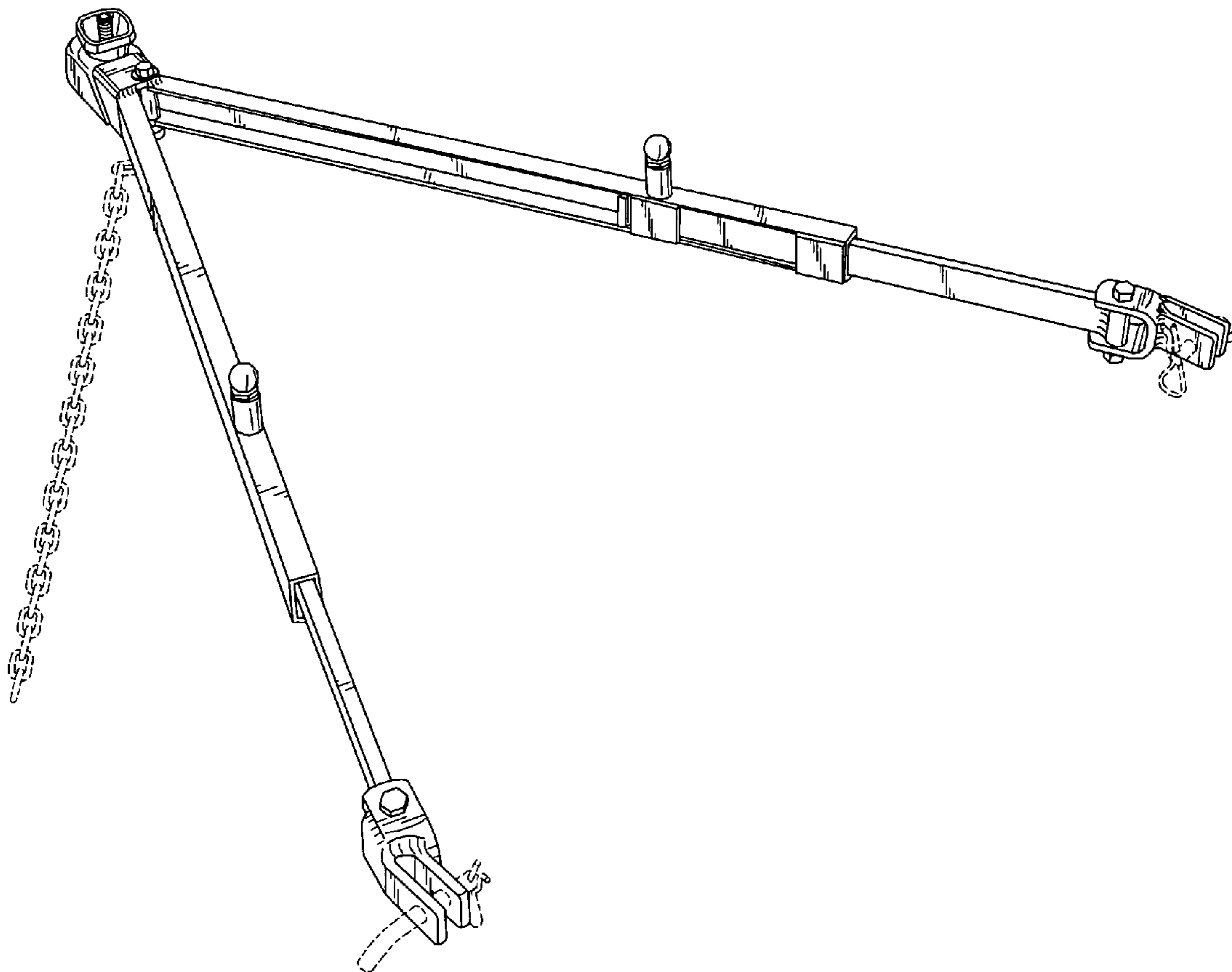
FIG. 4 is a front-perspective view of the tow bar of FIG. 1; and,

FIG. 5 is a bottom view of the tow bar of FIG. 1.

D214,787 S *	7/1969	Whisnand	D12/162
3,492,022 A *	1/1970	Hansen	280/478.1
3,947,062 A *	3/1976	Pierce	293/116
4,516,790 A *	5/1985	Hampel et al.	280/502
5,516,140 A *	5/1996	Hinte	280/494
5,685,554 A *	11/1997	Poxleitner	280/491.2
6,419,257 B1 *	7/2002	McCoy et al.	280/455.1

The broken line showing of details in 1–5 is included for the purpose of showing environmental portions of the tow bar and forms no part of the claimed design.

1 Claim, 4 Drawing Sheets



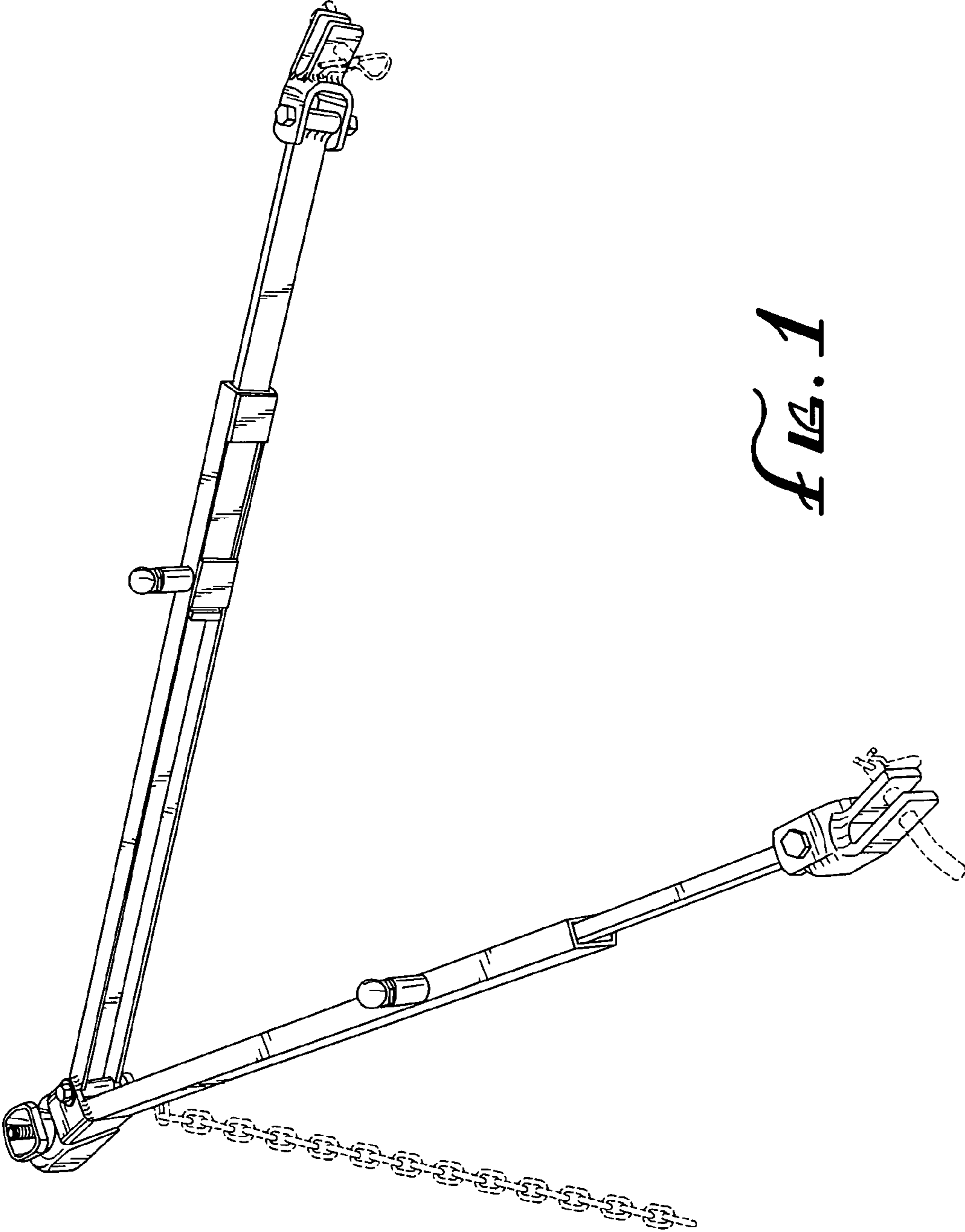


FIG. 1

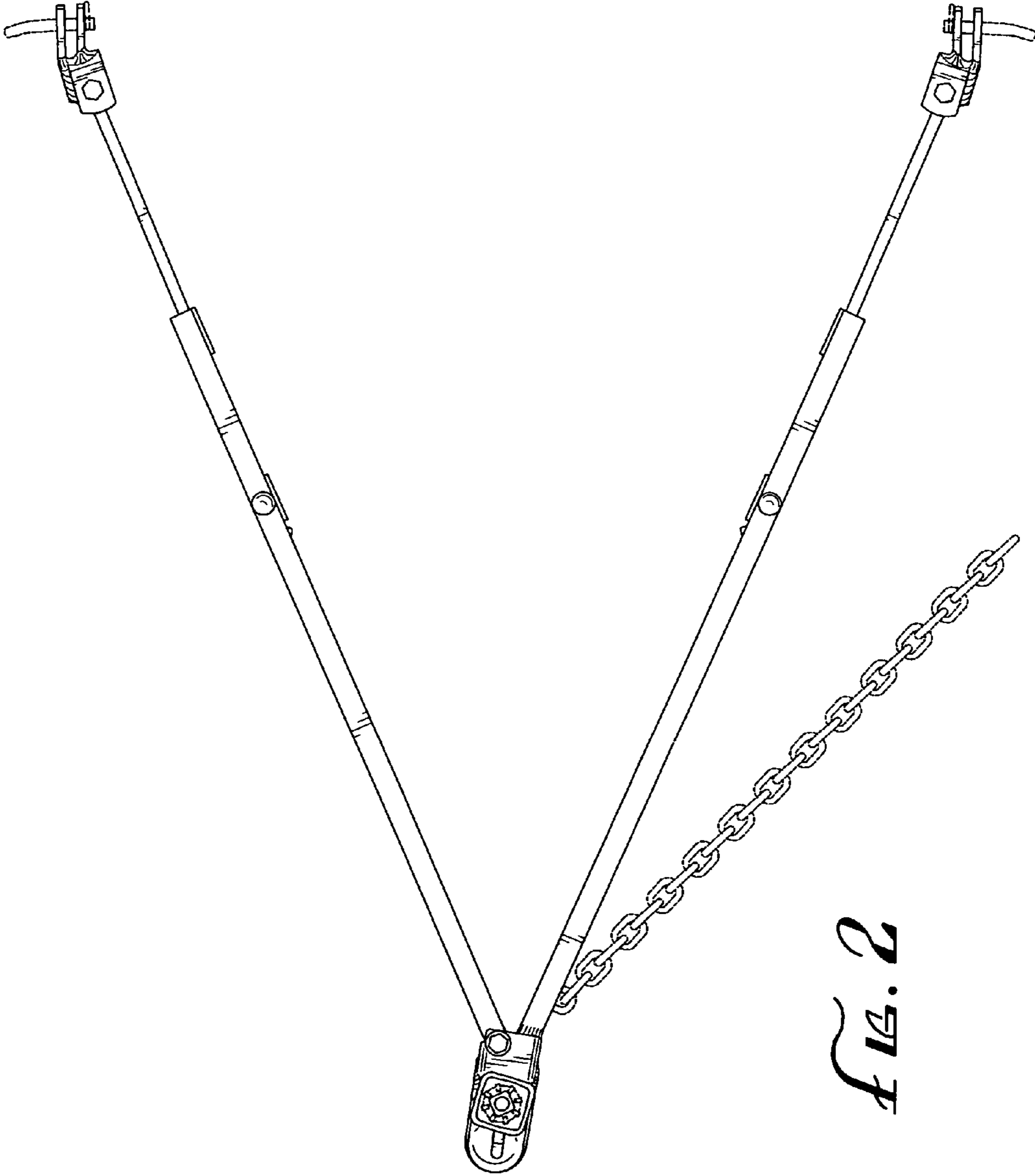
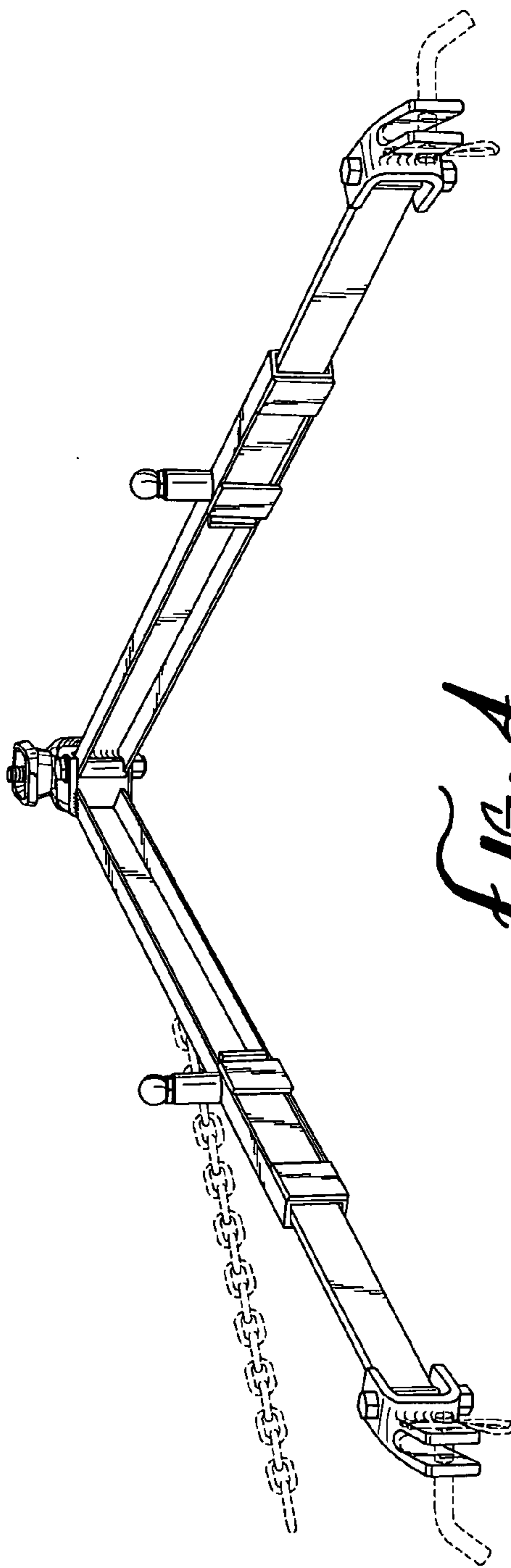
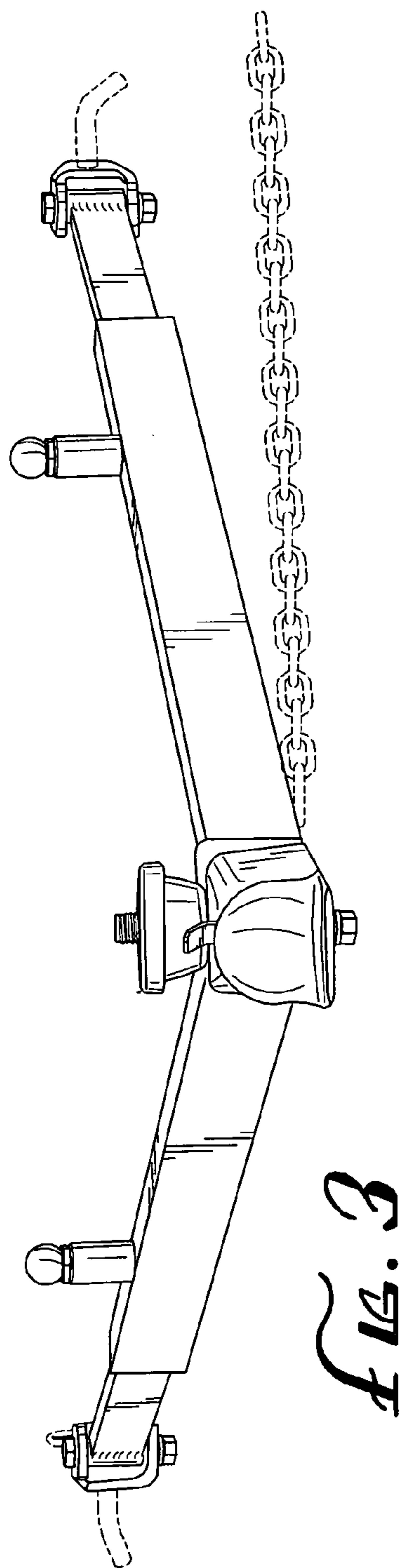


FIG. 2



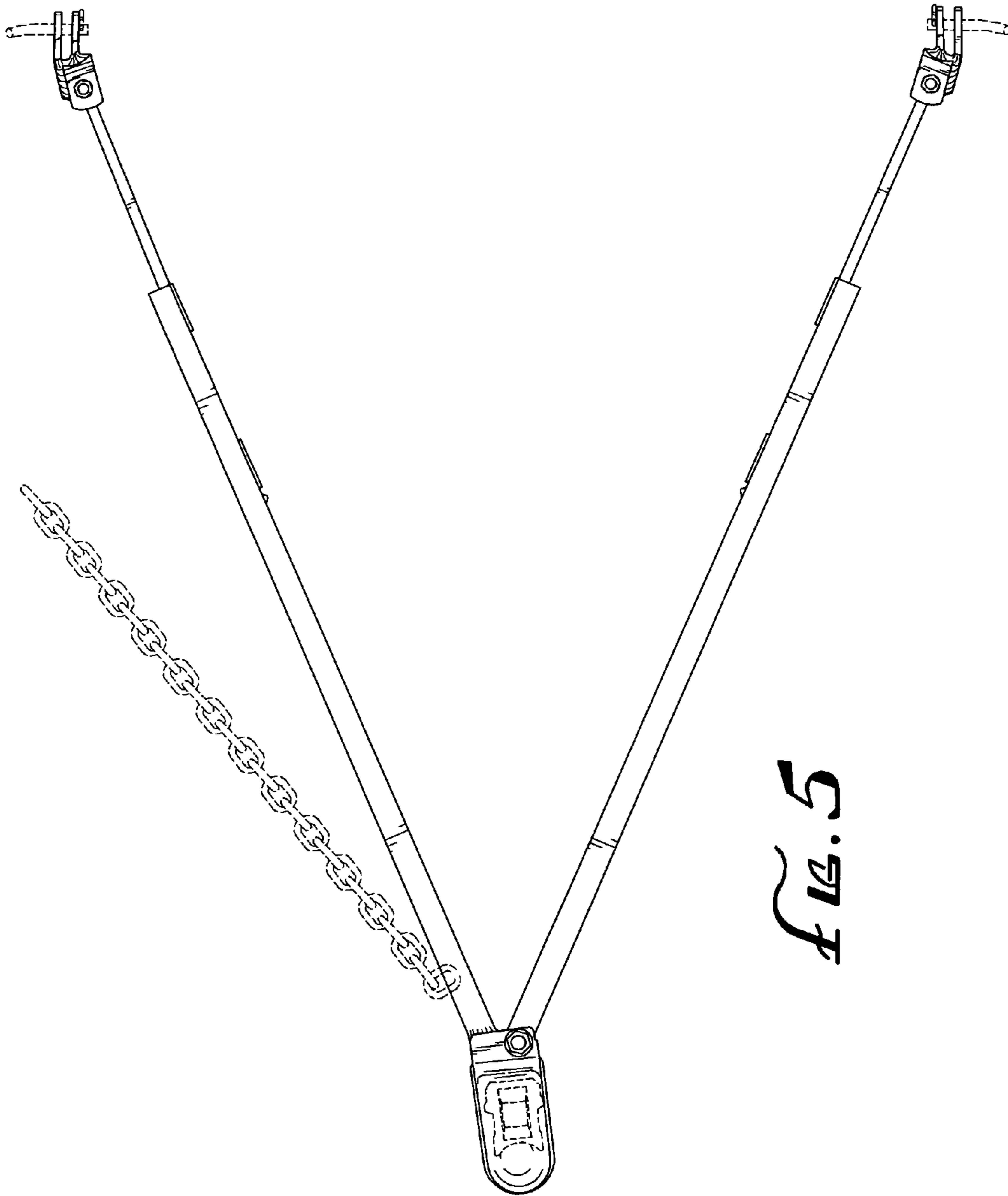


Fig. 5