



US00D610949S

(12) **United States Design Patent**
Tombazis

(10) **Patent No.:** **US D610,949 S**
(45) **Date of Patent:** **** Mar. 2, 2010**

(54) **VEHICLE, TOY REPLICA, AND/OR OTHER REPLICAS**

(75) Inventor: **Nikolaos Tombazis**, Castelnuovo Rangone (IT)

(73) Assignee: **FERRARI S.p.A.** (IT)

(**) Term: **14 Years**

(21) Appl. No.: **29/339,801**

(22) Filed: **Jul. 8, 2009**

(30) **Foreign Application Priority Data**

Jan. 9, 2009 (EP) 001067854
Jan. 9, 2009 (EP) 001067870

(51) **LOC (9) Cl.** **12-08**

(52) **U.S. Cl.** **D12/88**

(58) **Field of Classification Search** D12/86,
D12/90-92, 88; D21/424, 433, 434; 296/181.1,
296/181.5

See application file for complete search history.

(56) **References Cited**

U.S. PATENT DOCUMENTS

D528,041 S * 9/2006 Costa D12/88

D552,510 S * 10/2007 Costa D12/88
D576,918 S * 9/2008 Taylor et al. D12/88
D577,314 S * 9/2008 Taylor et al. D12/88
D597,442 S * 8/2009 Steinhauser D12/88

* cited by examiner

Primary Examiner—Melody N Brown

(74) *Attorney, Agent, or Firm*—Cantor Colburn LLP

(57) **CLAIM**

I claim, the ornamental design for a vehicle, toy replica and/or other replicas, as shown and described.

DESCRIPTION

FIG. 1 is a front and side perspective view of a vehicle, toy replica and/or other replicas, showing my new design;

FIG. 2 is a front elevation view thereof;

FIG. 3 is a rear elevation view thereof;

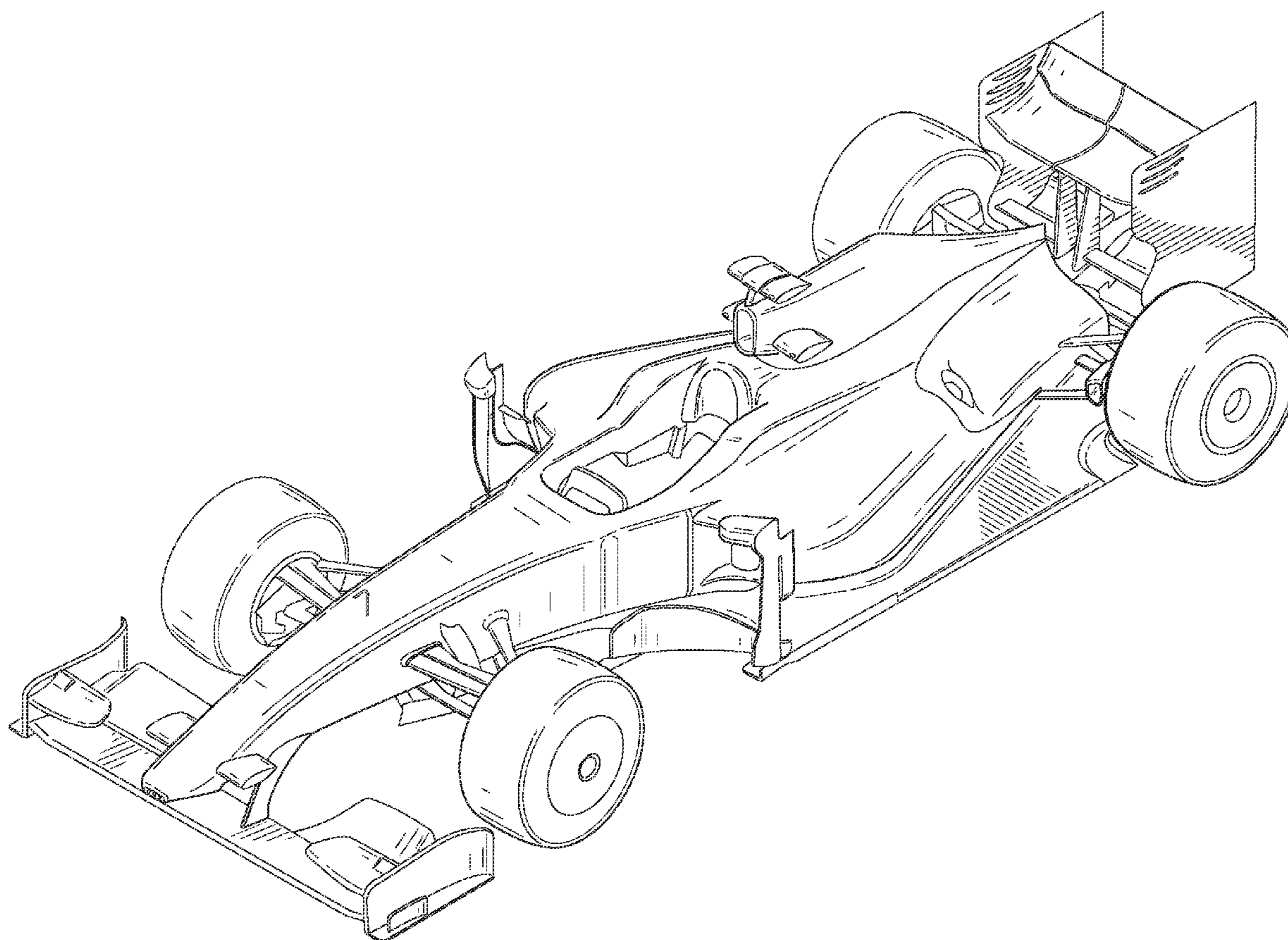
FIG. 4 is a top plan view thereof;

FIG. 5 is a bottom plan view thereof;

FIG. 6 is a side elevation view thereof taken from the left of FIG. 2; and,

FIG. 7 is a side elevation view thereof taken from the right of FIG. 2.

1 Claim, 6 Drawing Sheets



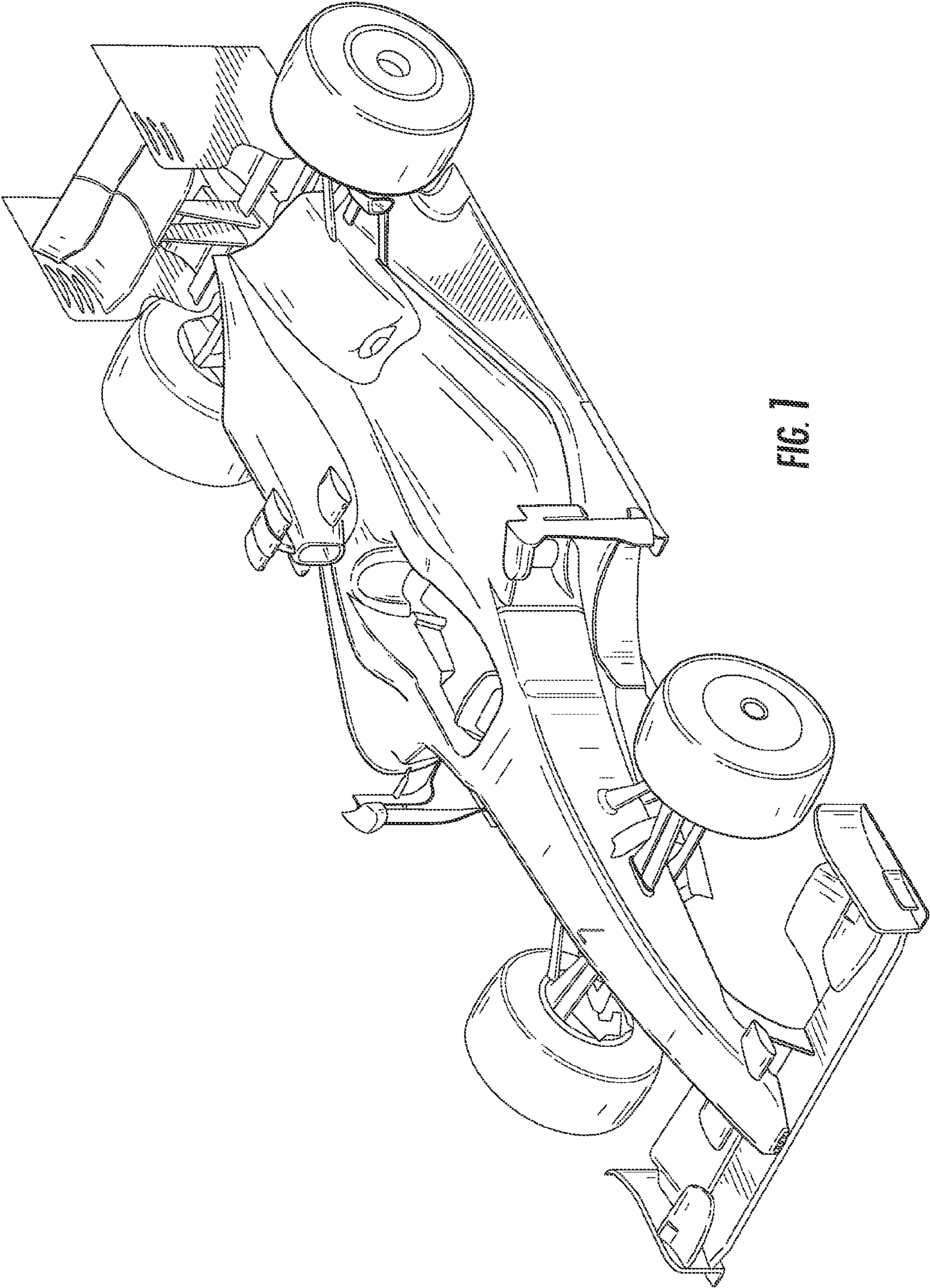


FIG. 1

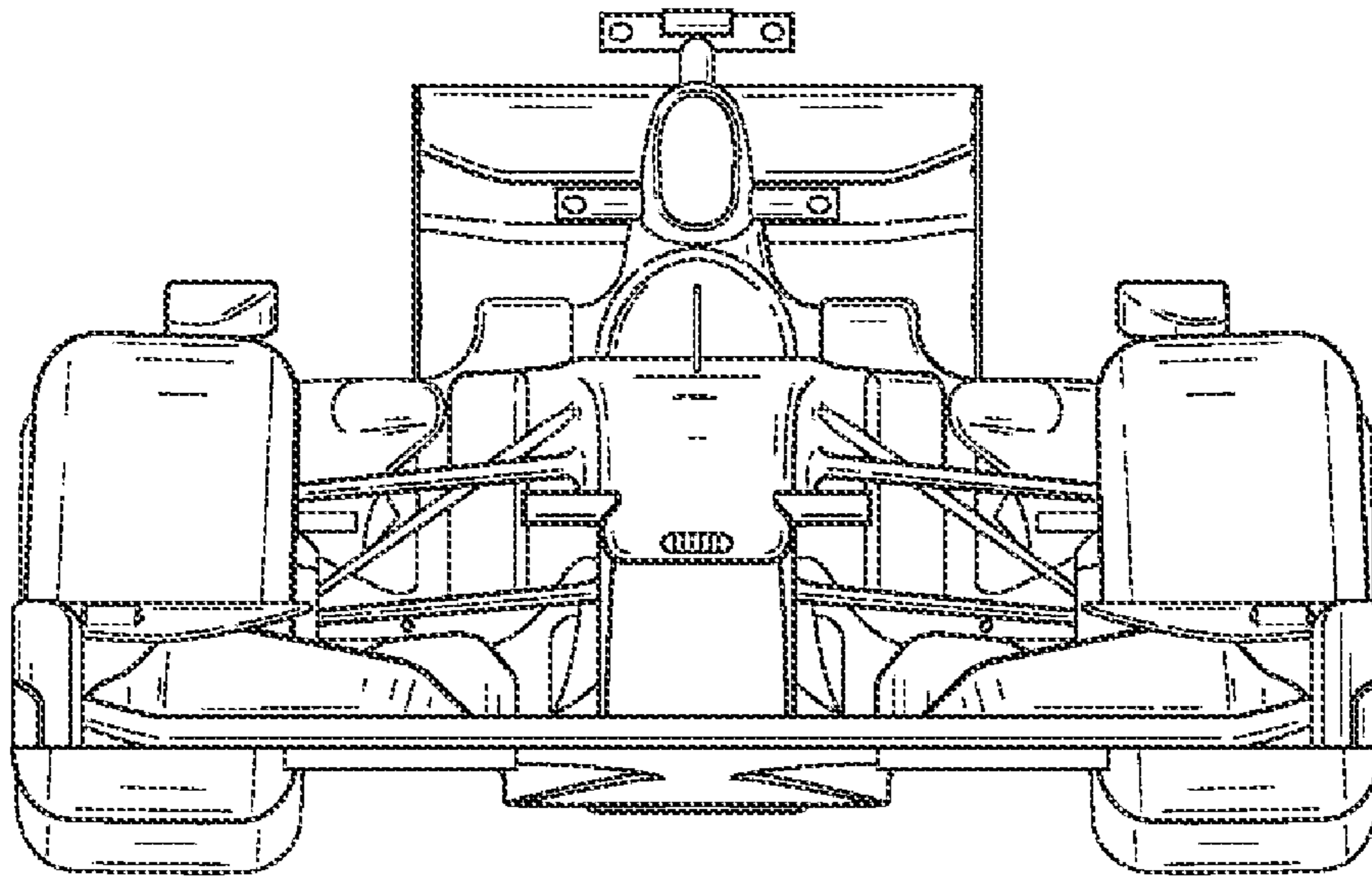


FIG. 2

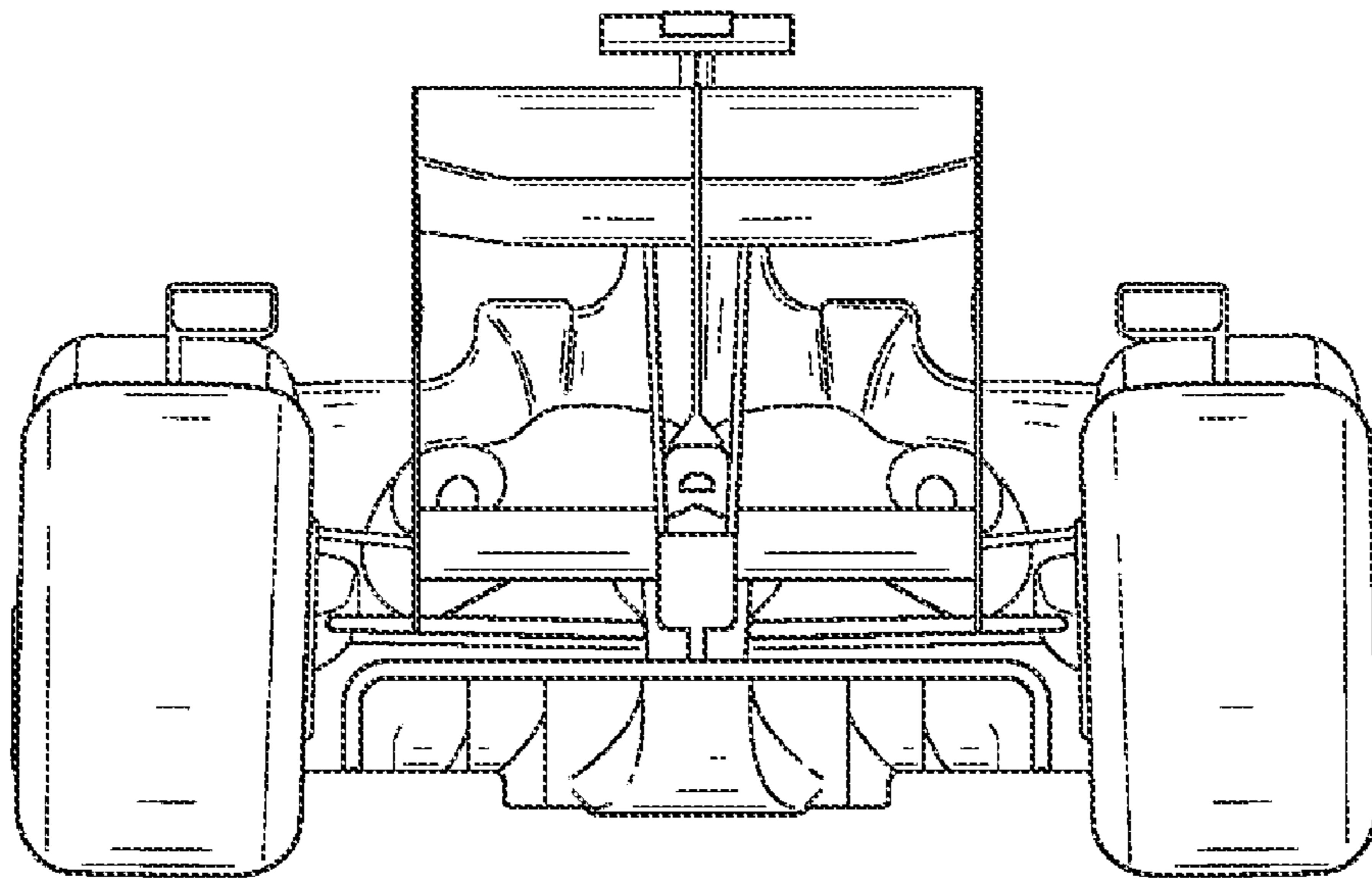


FIG. 3

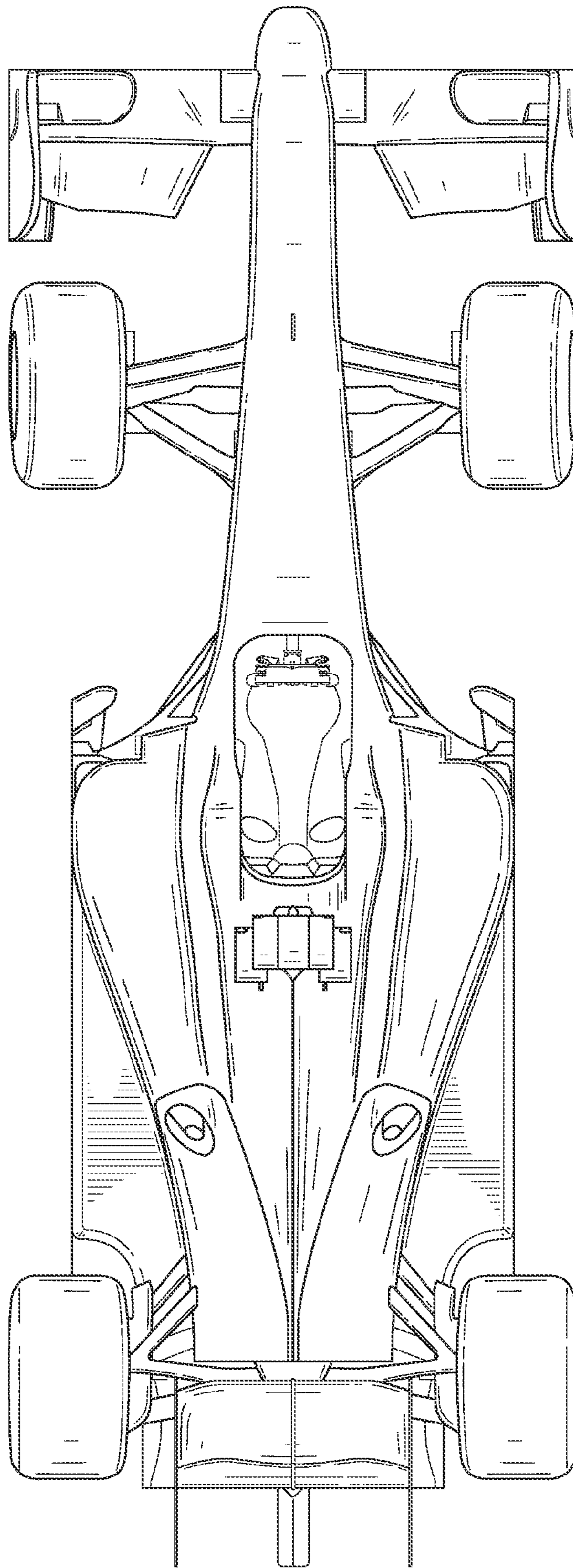


FIG. 4

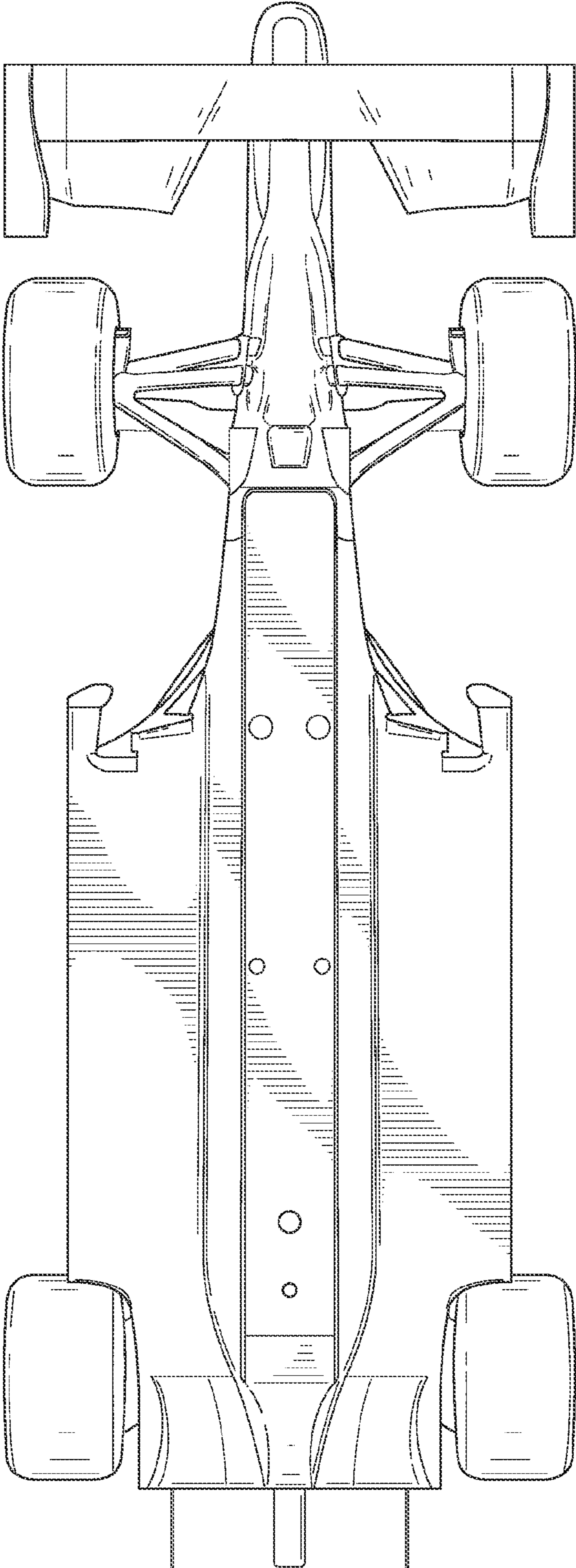


FIG. 5

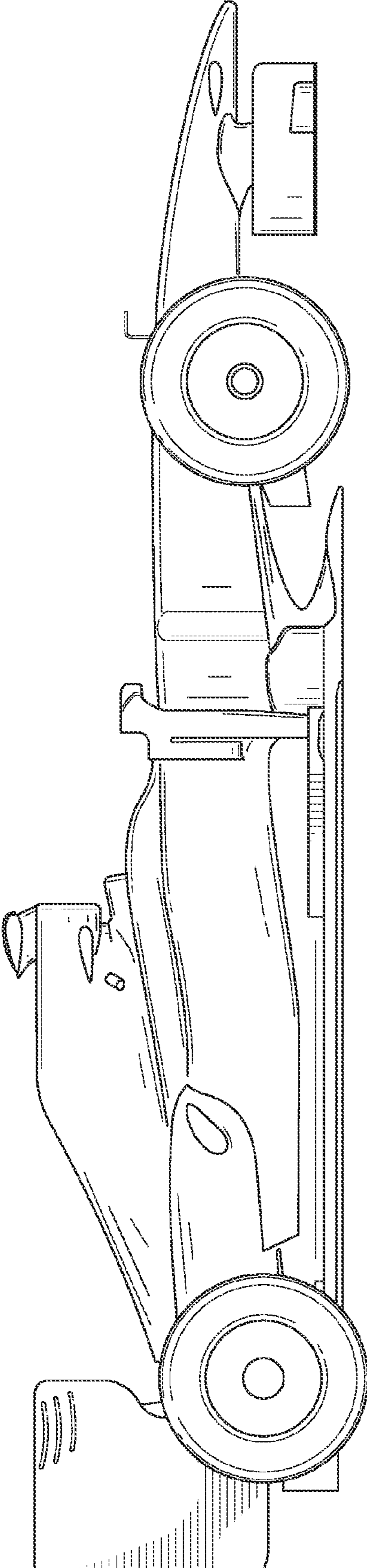


FIG. 6

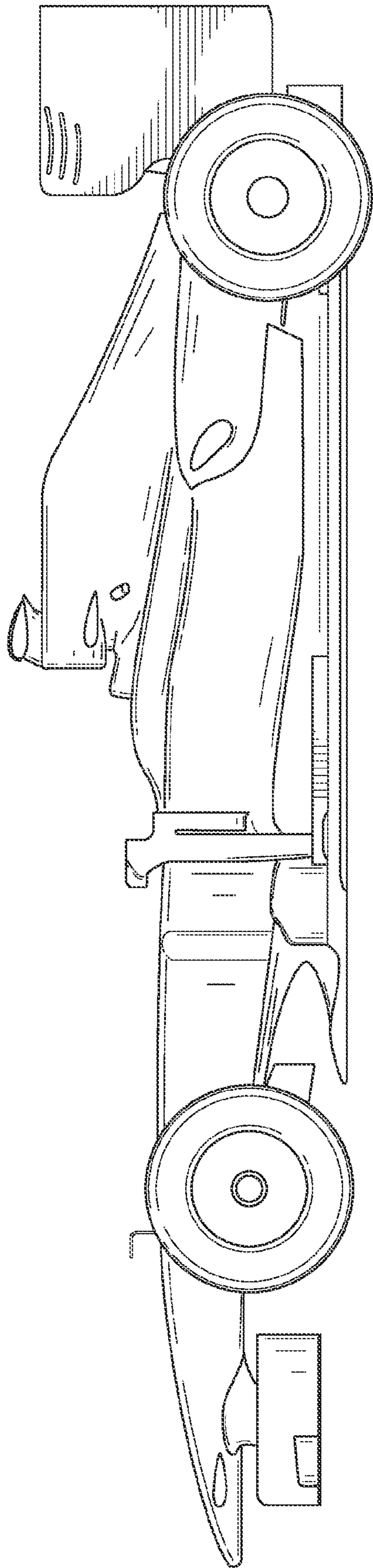


FIG. 7