



US00D610948S

(12) **United States Design Patent**
Papadimitriou

(10) **Patent No.:** **US D610,948 S**
(45) **Date of Patent:** **** Mar. 2, 2010**

(54) **CUFFLINK**

(75) Inventor: **Costantino Papadimitriou**, Milan (IT)

(73) Assignee: **De Beers Centenary AG**, Lucerne (CH)

(**) Term: **14 Years**

(21) Appl. No.: **29/333,921**

(22) Filed: **Mar. 17, 2009**

(30) **Foreign Application Priority Data**

Sep. 18, 2008 (EP) 001005441-0001
Sep. 18, 2008 (EP) 001005441-0002

(51) **LOC (9) Cl.** **02-07**

(52) **U.S. Cl.** **D11/222**

(58) **Field of Classification Search** D11/200-238,
D11/77-90, 7-29; 24/41-47, 102 R, 102 P,
24/102 FC, 102 A, 101 R, 685, 102 PL; 63/1.11,
63/1.12, 1.13, 1.14, 1.16, 1.18, 13, 14.1,
63/35, 38, 39, 3.1, 20, 23, 33, 40, 42
See application file for complete search history.

(56) **References Cited**

U.S. PATENT DOCUMENTS

D19,672 S * 3/1890 Beach D11/207
1,273,204 A * 7/1918 Tumminello 24/102 P
D61,095 S * 6/1922 Kuno D11/222
D142,544 S * 10/1945 Berg D11/29
D150,446 S * 8/1948 Philippe D11/77
D334,906 S * 4/1993 Sprick D11/213
D573,504 S * 7/2008 Lecut D11/4

* cited by examiner

Primary Examiner—Catherine R Oliver

(74) *Attorney, Agent, or Firm*—Sonnenschein Nath & Rosenthal LLP; Brian R. McGinley

(57) **CLAIM**

The ornamental design for a cufflink, as shown and described.

DESCRIPTION

FIG. 1 is a right front perspective view of a cufflink illustrating an embodiment of the new design;

FIG. 2 is a top view of the cufflink illustrated in FIG. 1;

FIG. 3 is a right front perspective view of the cufflink illustrated in FIG. 1;

FIG. 4 is a front elevational view of the cufflink illustrated in FIG. 1;

FIG. 5 is a right side perspective view of the cufflink illustrated in FIG. 1;

FIG. 6 is a right elevational view of the cufflink illustrated in FIG. 1 (the left elevational view is a mirror image of FIG. 6);

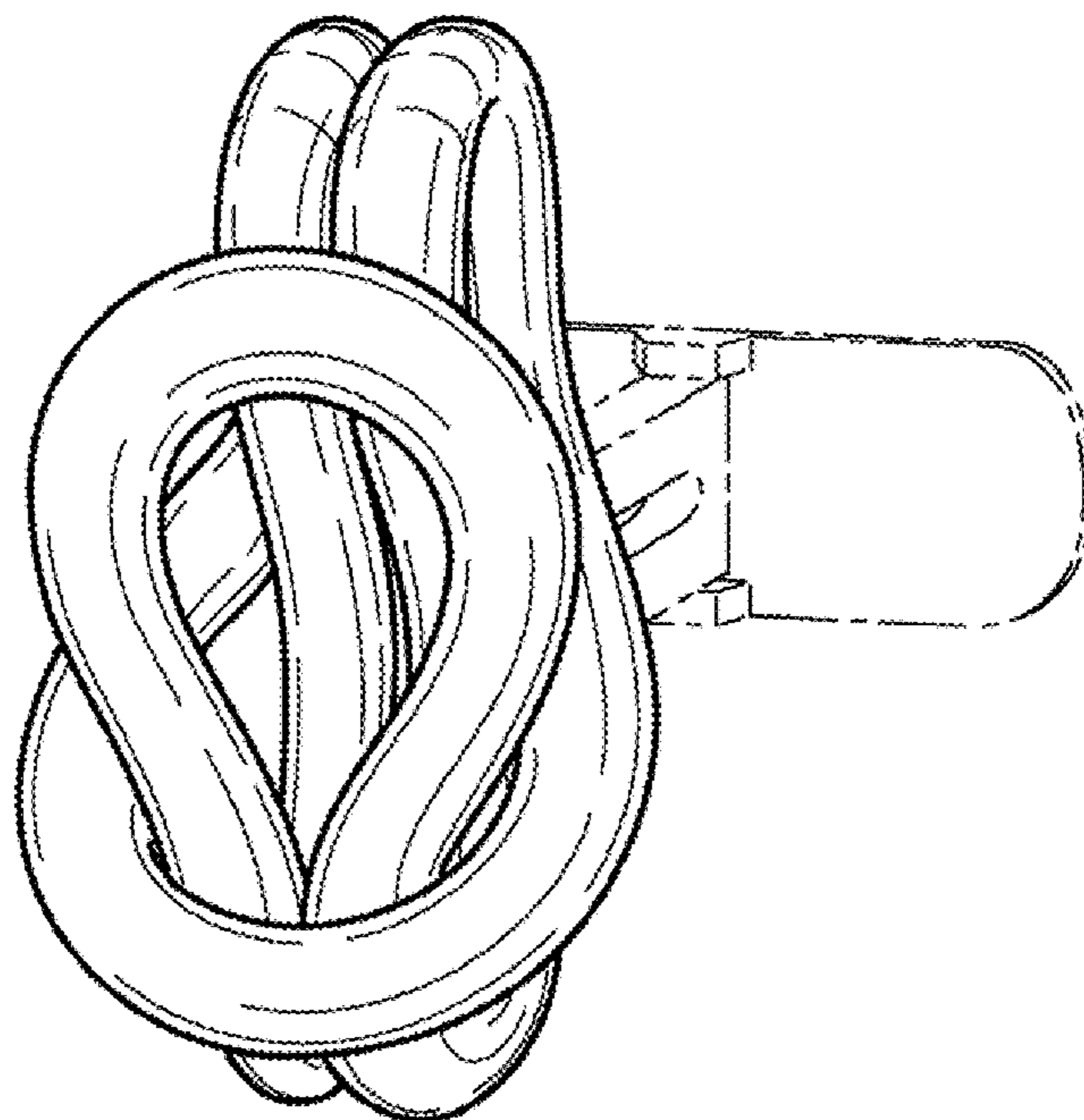
FIG. 7 is a top view of a cufflink illustrating an additional embodiment of the new design;

FIG. 8 is a right elevational view of the cufflink illustrated in FIG. 7 (the left elevational view is a mirror image of FIG. 7); and,

FIG. 9 is a front view of the cufflink illustrated in FIG. 7.

The broken line showing of environment in the drawings is included for the purpose of illustrating only and forms no part of the claimed design.

1 Claim, 2 Drawing Sheets



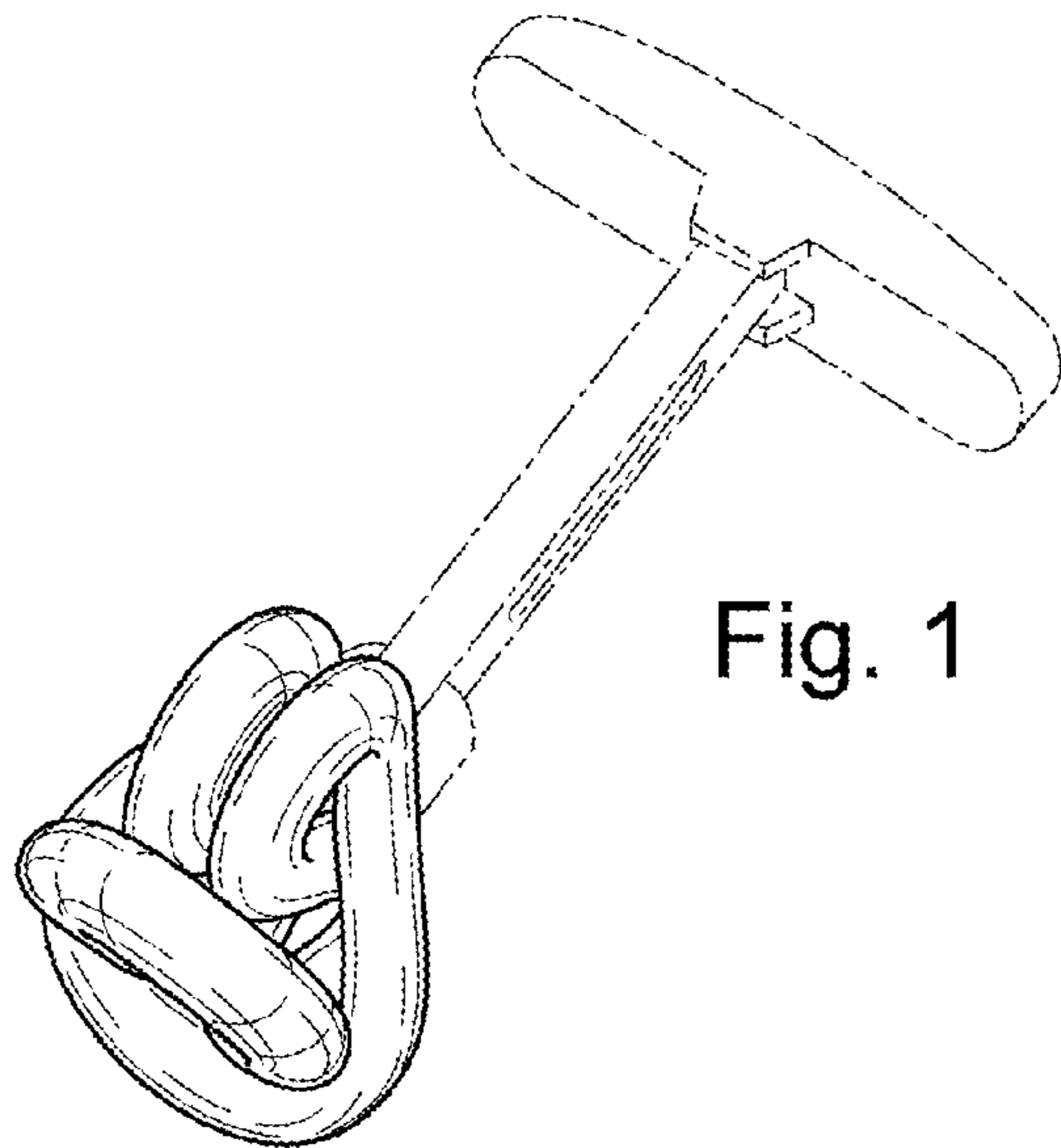


Fig. 1

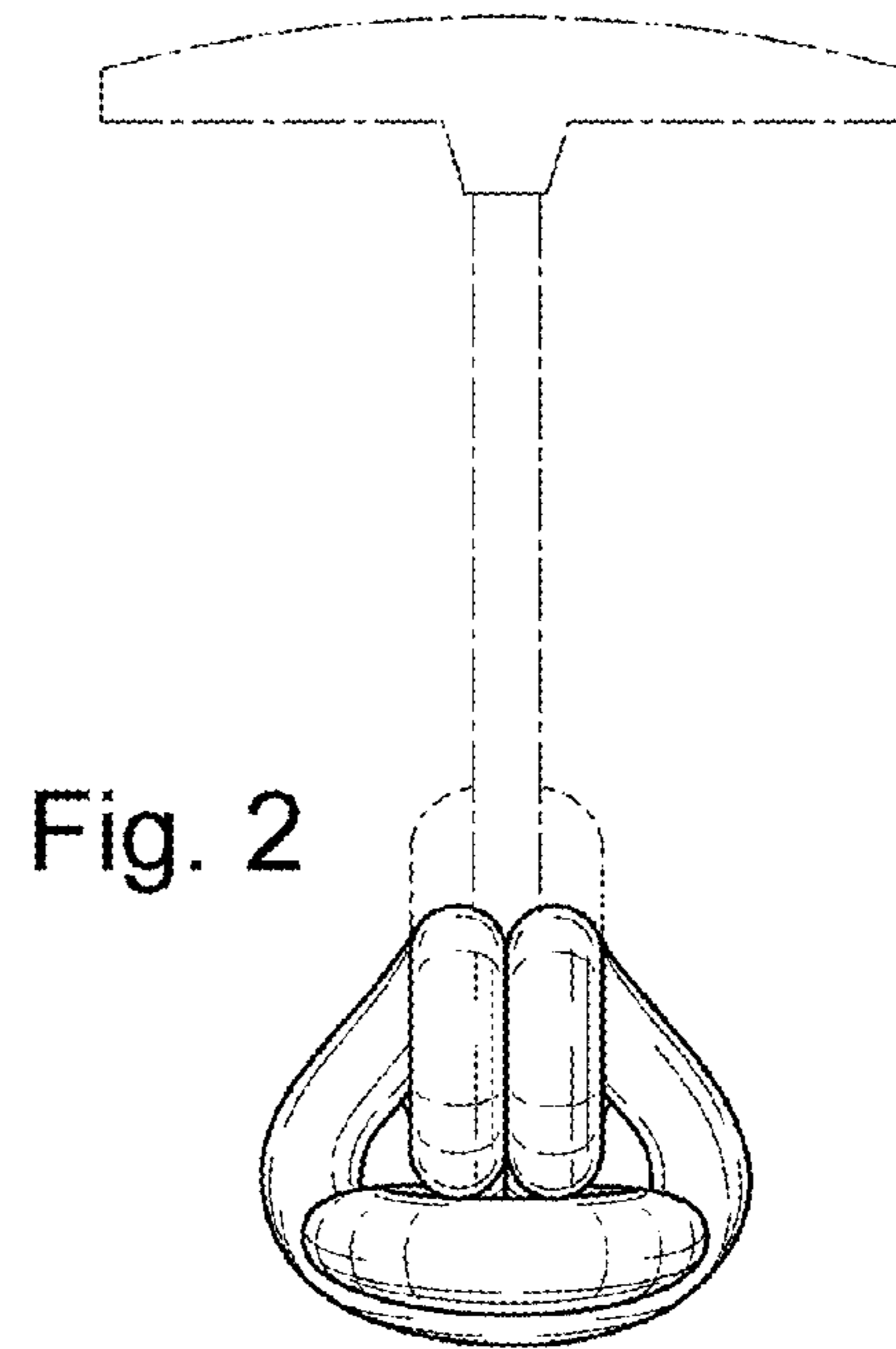


Fig. 2

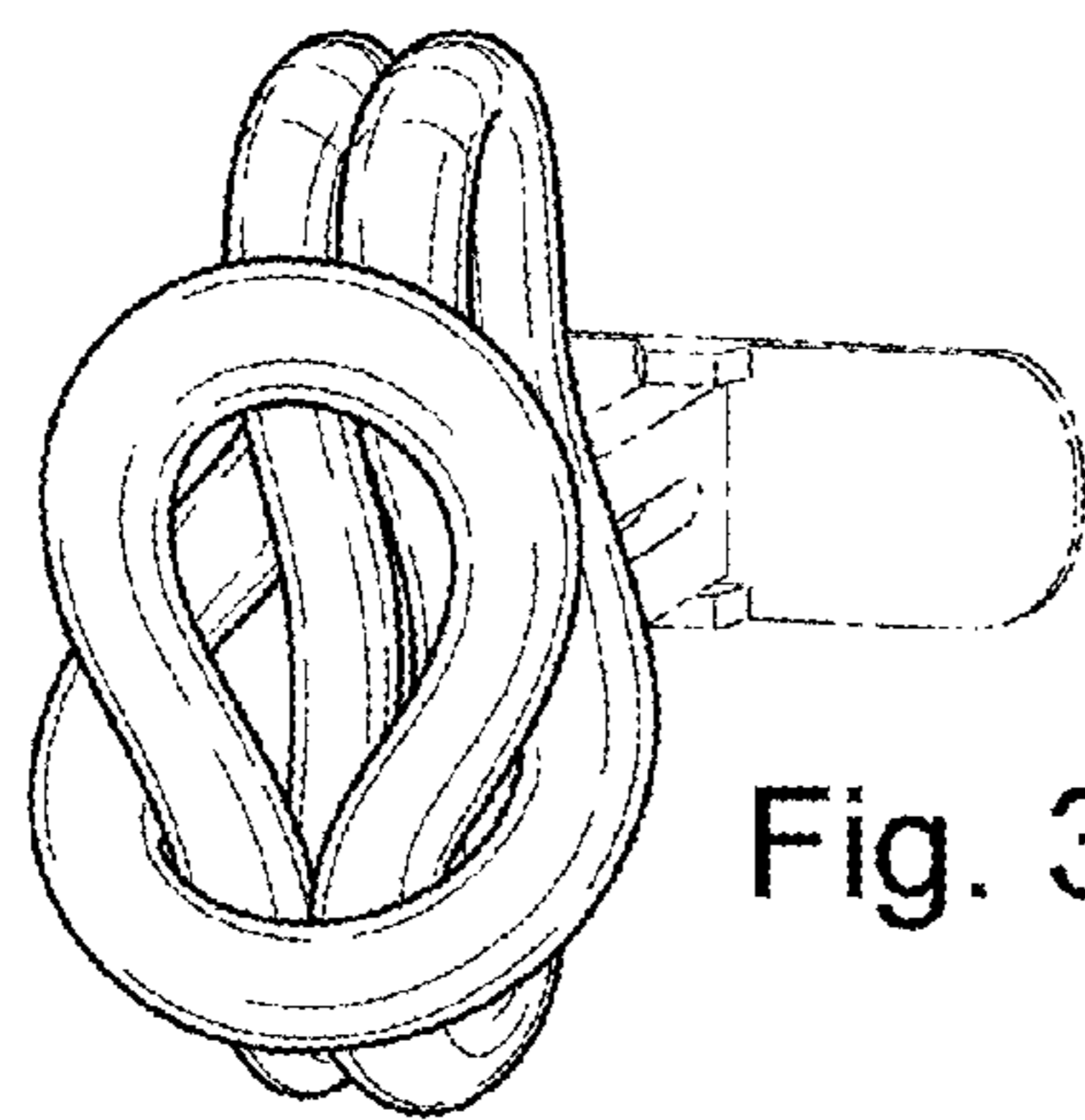


Fig. 3

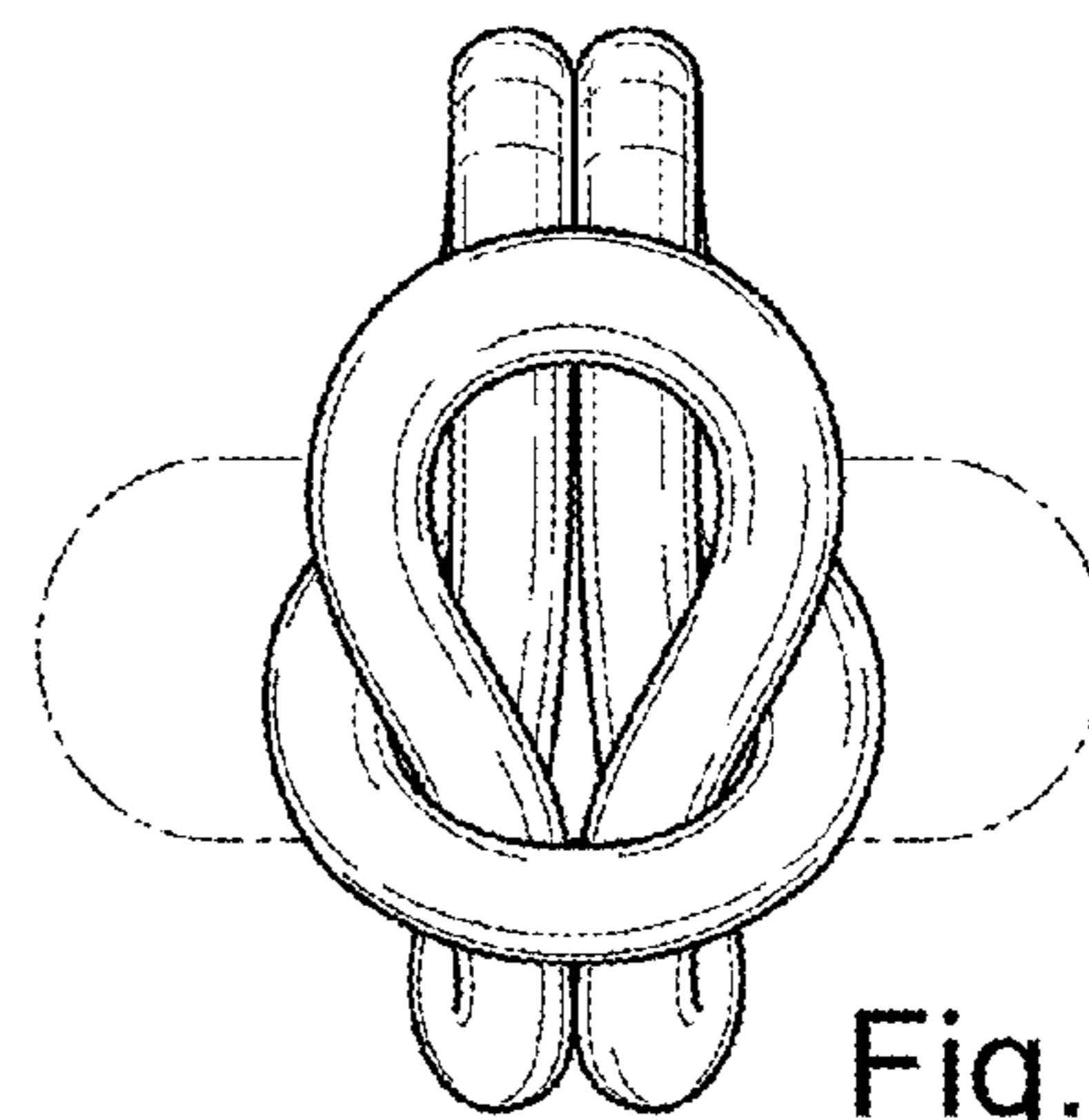


Fig. 4

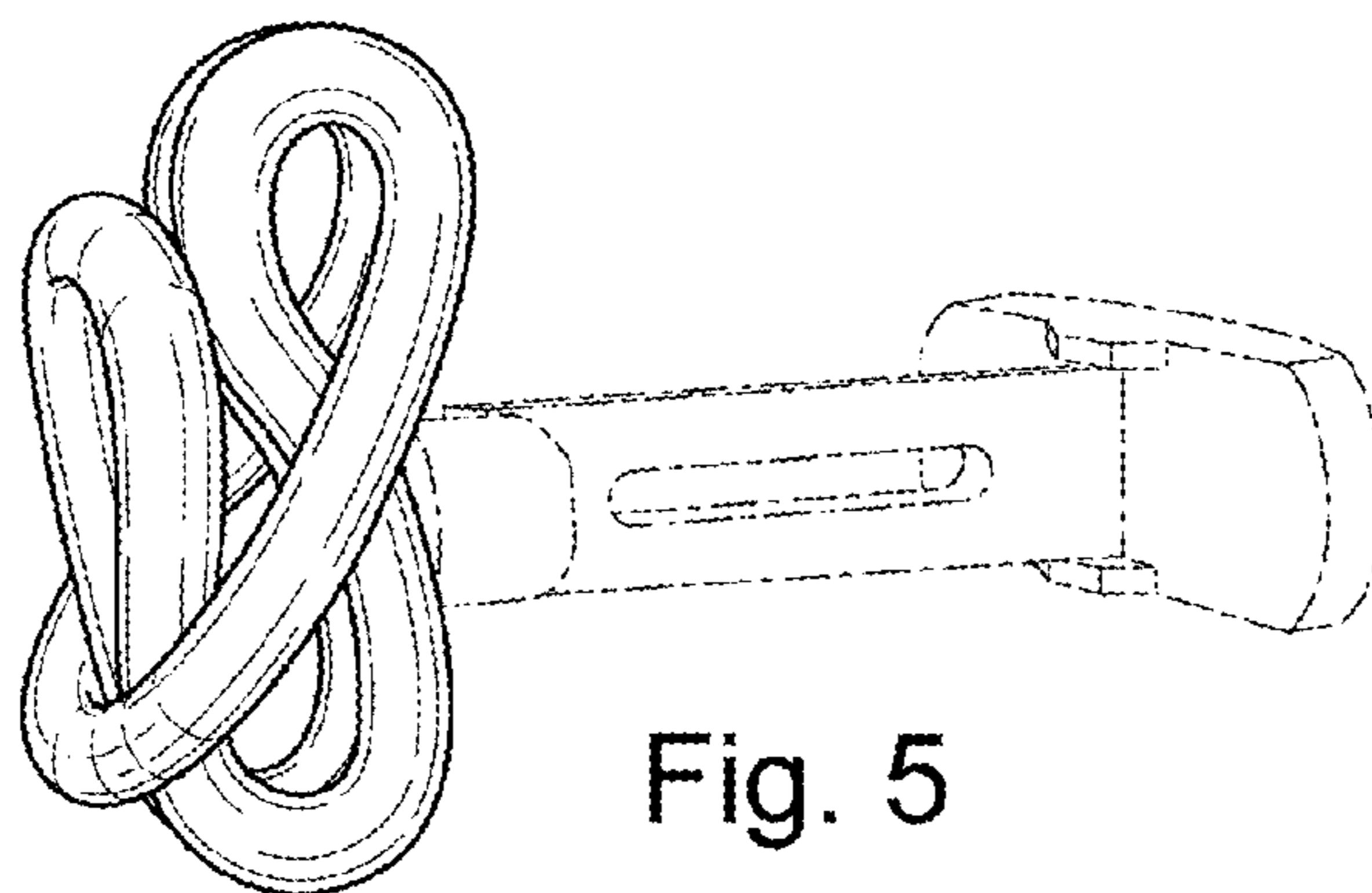


Fig. 5

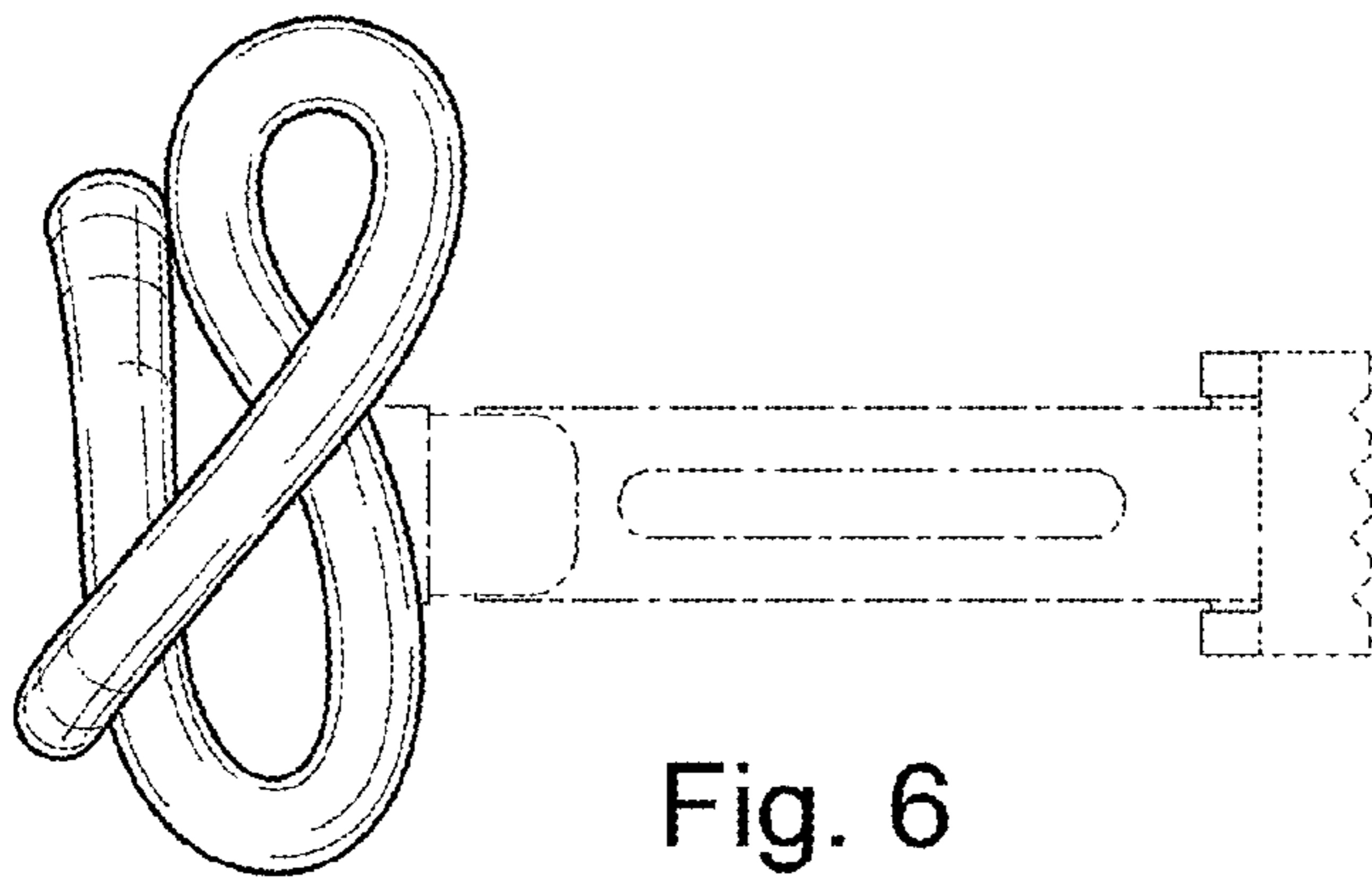


Fig. 6

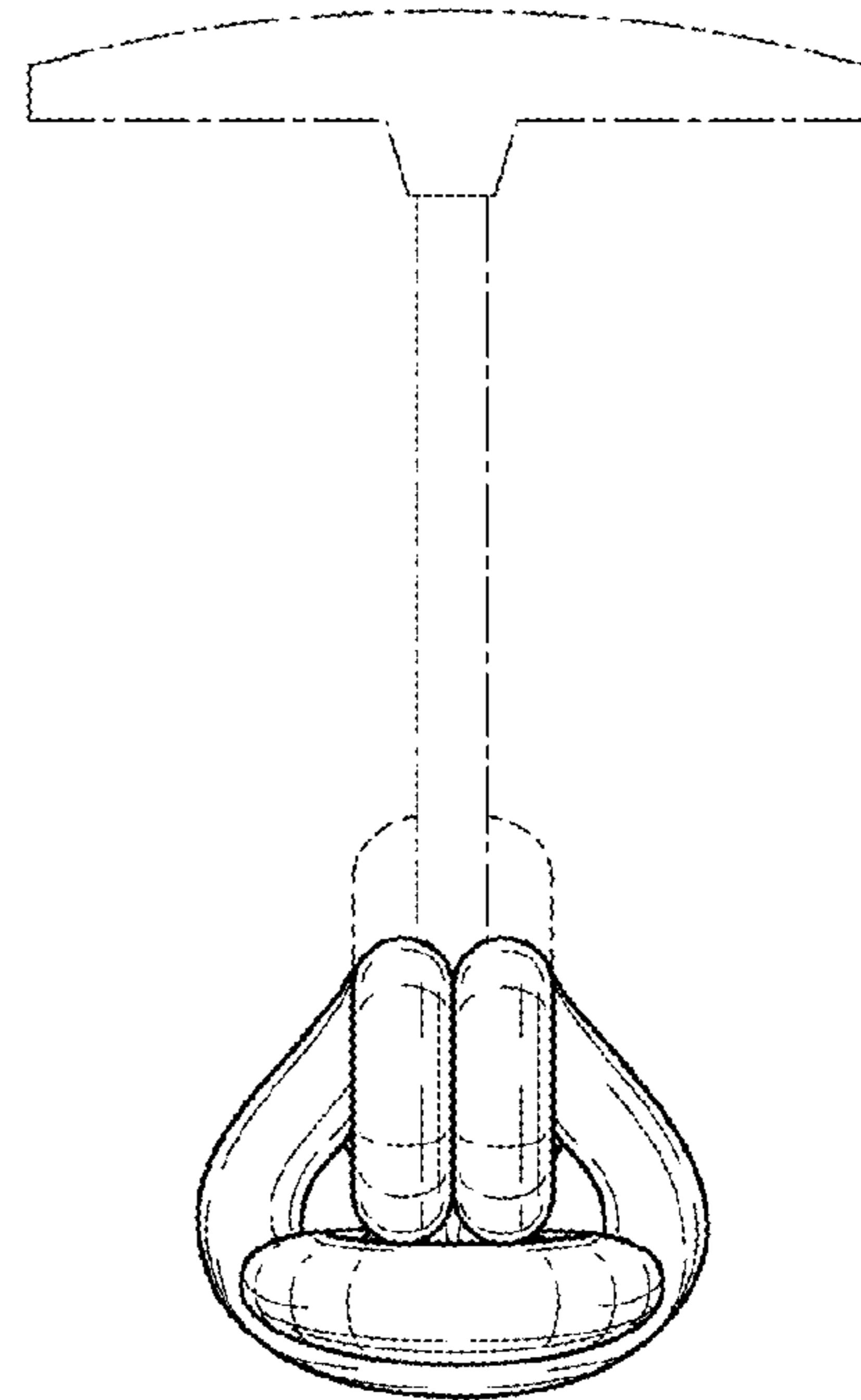


Fig. 7

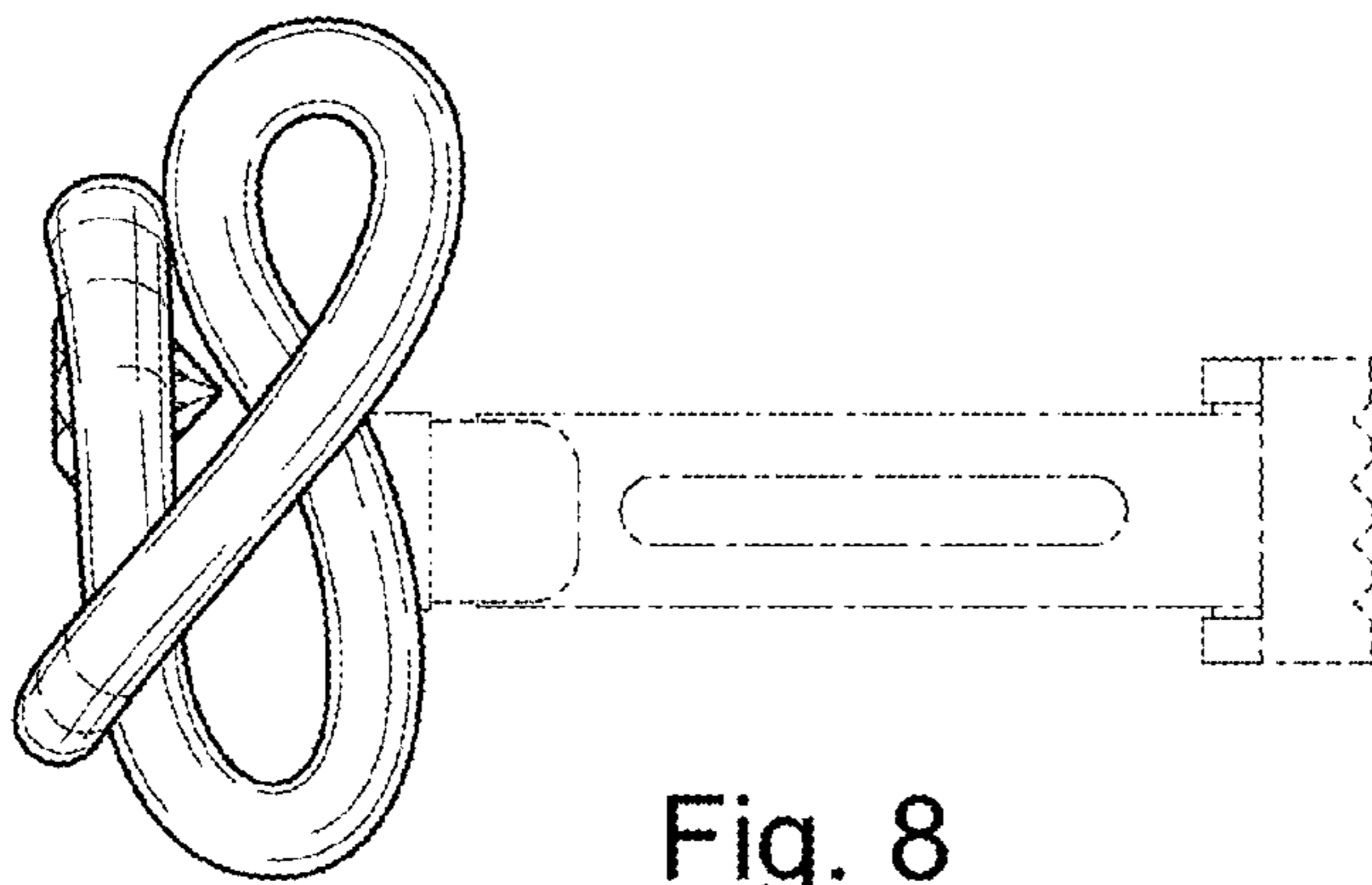


Fig. 8

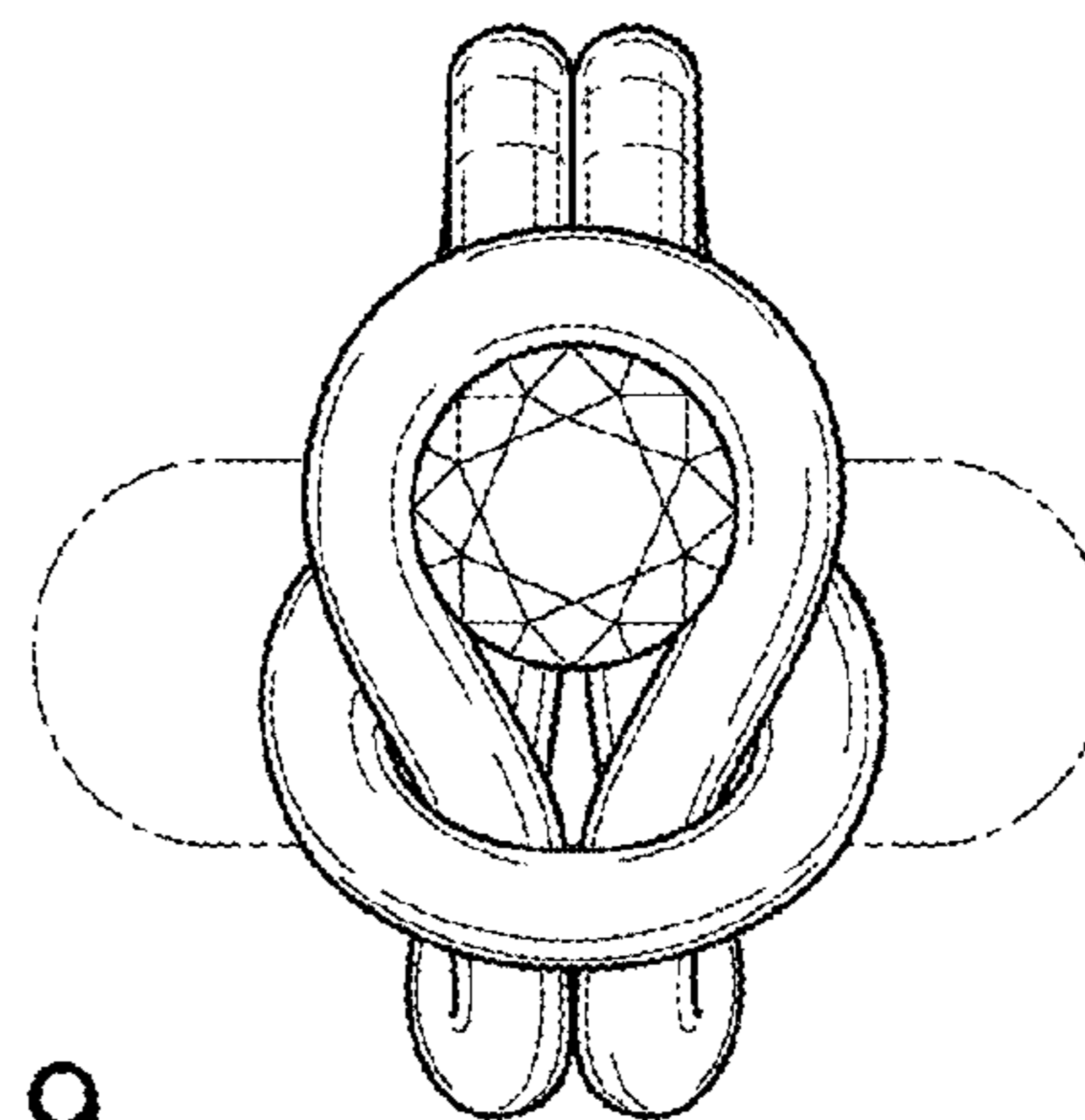


Fig. 9