



US00D610945S

(12) **United States Design Patent**
Pontaoe

(10) **Patent No.:** **US D610,945 S**
(45) **Date of Patent:** **** Mar. 2, 2010**

(54) **BUCKLE ASSEMBLY**

(75) Inventor: **John S. Pontaoe**, Chicago, IL (US)

(73) Assignee: **Illinois Tool Works Inc.**, Glenview, IL (US)

(**) Term: **14 Years**

(21) Appl. No.: **29/346,167**

(22) Filed: **Oct. 28, 2009**

Related U.S. Application Data

(63) Continuation of application No. 11/940,887, filed on Nov. 15, 2007.

(51) **LOC (9) Cl.** **02-07**

(52) **U.S. Cl.** **D11/216**

(58) **Field of Classification Search** D11/1-2,
D11/200-201, 206-210, 214-218; 24/163 R,
24/169-171, 173, 177-179, 191, 194-195,
24/197, 200

See application file for complete search history.

(56) **References Cited**

U.S. PATENT DOCUMENTS

D381,936 S * 8/1997 Anscher D11/216

D424,978 S * 5/2000 Yoshiguchi D11/218
D471,131 S * 3/2003 Kawamura D11/216
D496,304 S * 9/2004 Uehara et al. D11/216
D535,213 S * 1/2007 Kolasa D11/216
D543,897 S * 6/2007 Anscher D11/218
D566,003 S * 4/2008 Anscher D11/216
D567,711 S * 4/2008 Yoshie et al. D11/218
D576,521 S * 9/2008 Kolasa et al. D11/218
D593,902 S * 6/2009 Yoshiguchi D11/216

* cited by examiner

Primary Examiner—Ralf Seifert

(74) *Attorney, Agent, or Firm*—Mark W. Croll; Paul F. Donovan

(57) **CLAIM**

The ornamental design for a buckle assembly, as shown and described.

DESCRIPTION

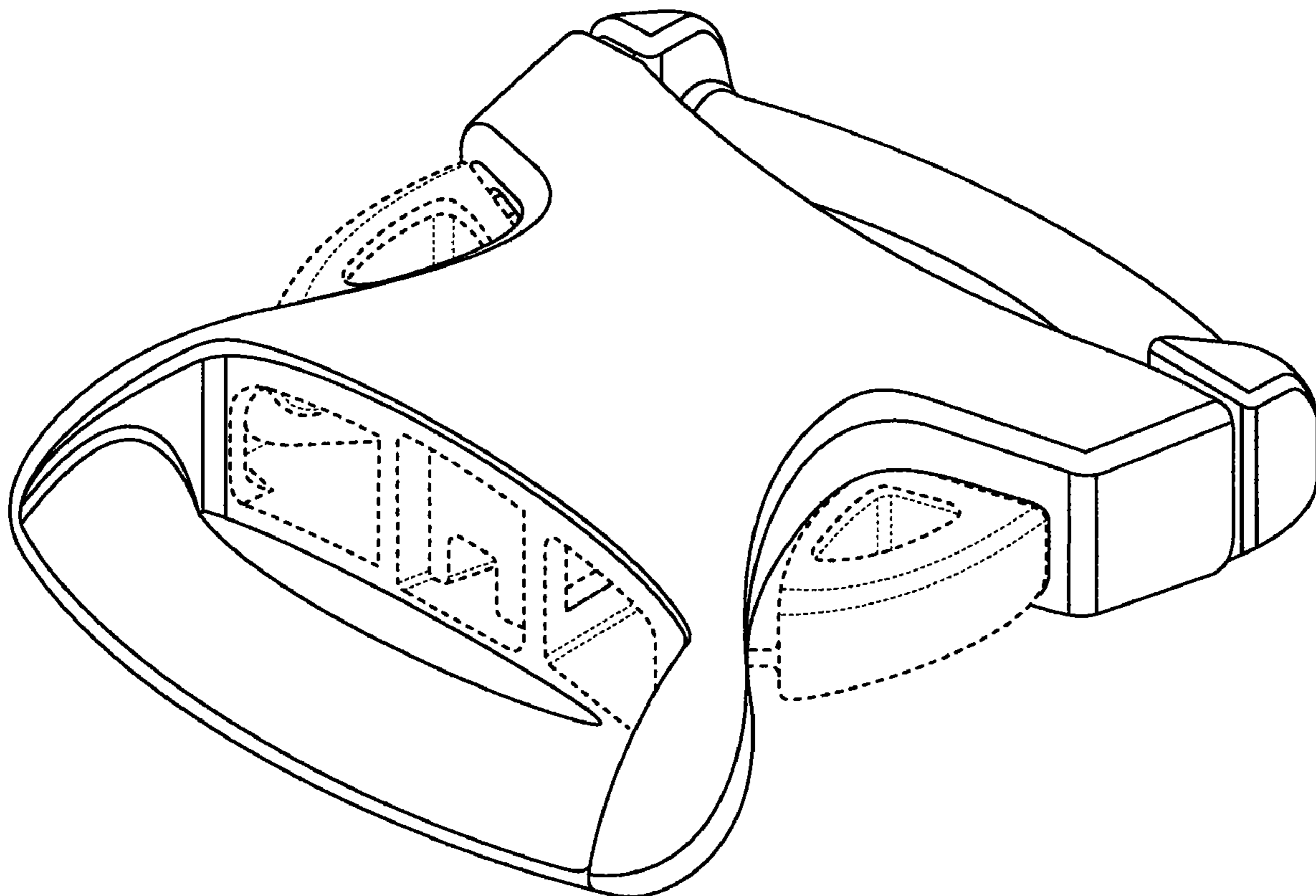
FIG. 1 is a perspective view of a buckle assembly showing the new design;

FIG. 2 is a side view thereof; and,

FIG. 3 is a top view thereof.

The broken line portions of the disclosure are for illustrative purposes only and form no part of the claimed design.

1 Claim, 2 Drawing Sheets



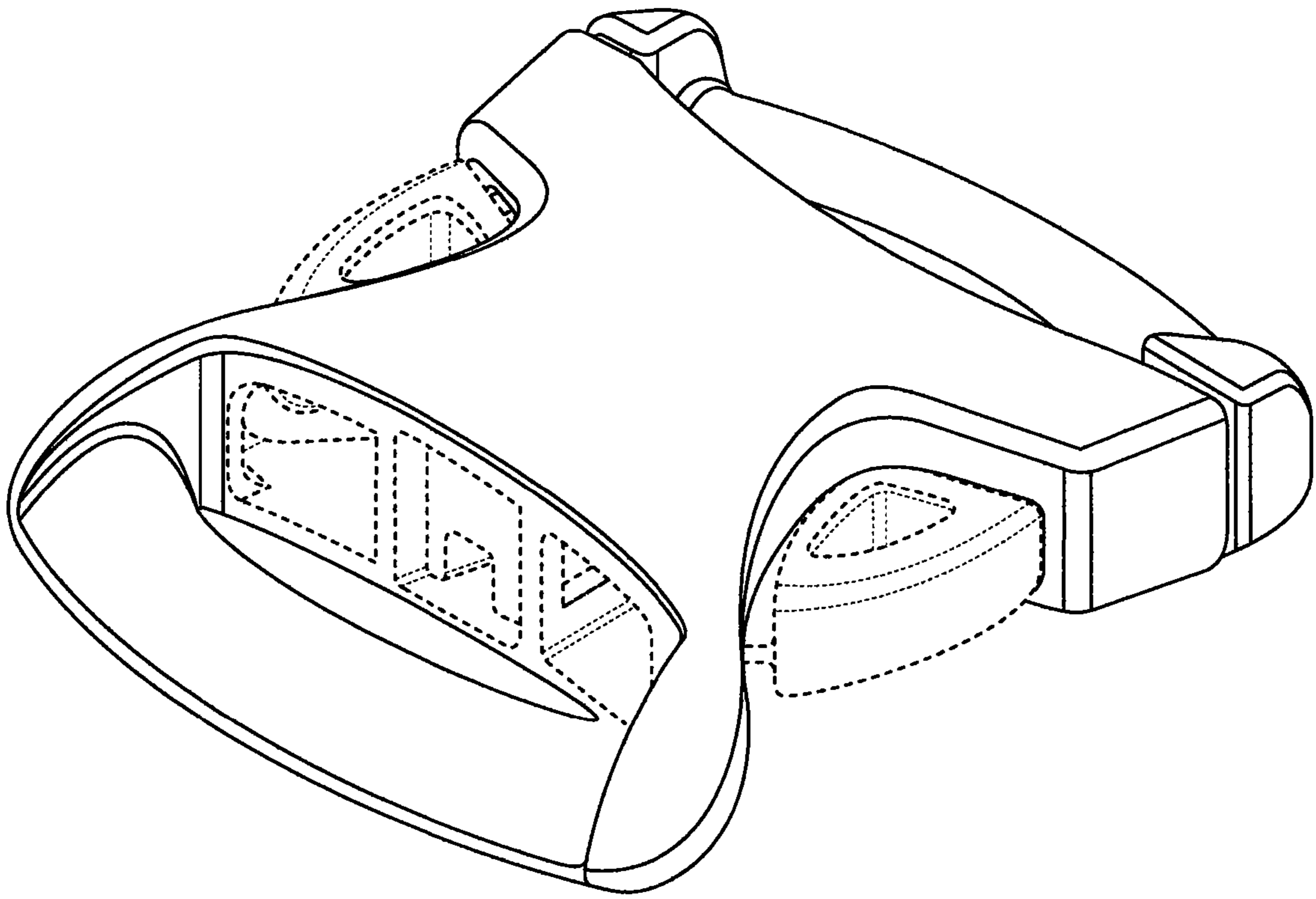


FIG. 1

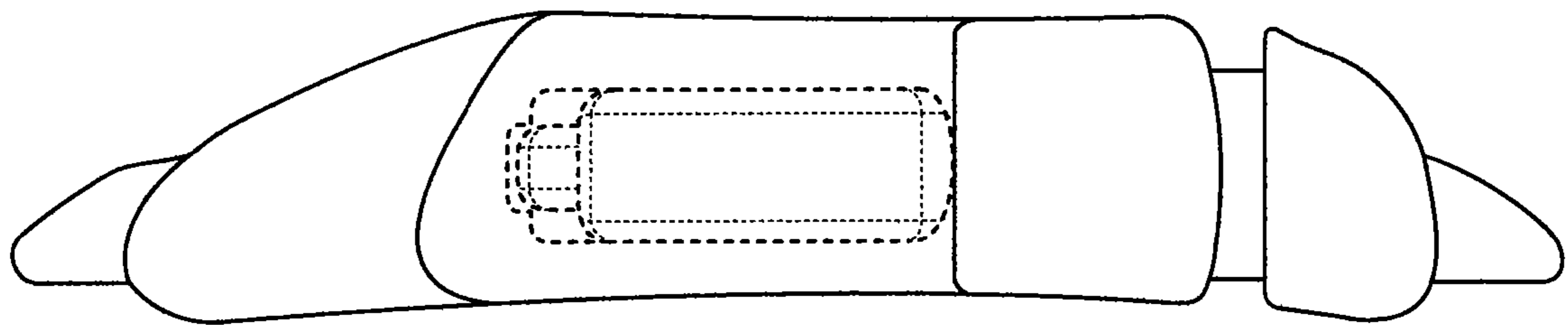


FIG. 2

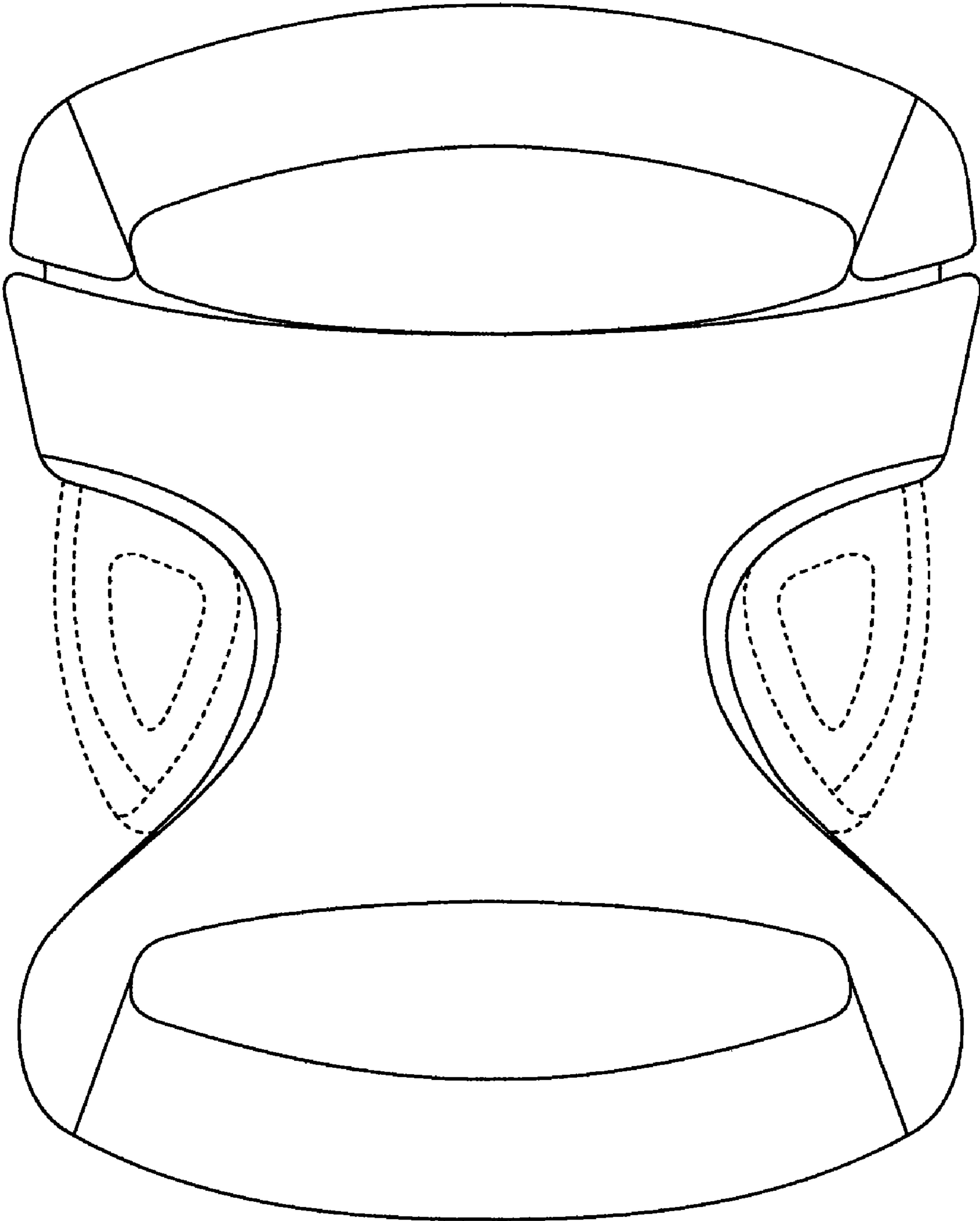


FIG. 3