



US00D610943S

(12) **United States Design Patent**  
**So**

(10) **Patent No.:** **US D610,943 S**  
(45) **Date of Patent:** **\*\* Mar. 2, 2010**

(54) **PRECIOUS STONE CUT SHORT CORNERS  
CROWN DESIGN HAVING 45 FACETS**

(76) Inventor: **David So**, 71 W. Cedarview Ave., Staten  
Island, NY (US) 10306

(\*\*) Term: **14 Years**

(21) Appl. No.: **29/337,746**

(22) Filed: **May 28, 2009**

(51) **LOC (9) Cl.** ..... **11-01**

(52) **U.S. Cl.** ..... **D11/90**

(58) **Field of Classification Search** ..... D11/1-2,  
D11/26-29, 89-92; 63/26-28, 32

See application file for complete search history.

(56) **References Cited**

**U.S. PATENT DOCUMENTS**

6,029,474	A	*	2/2000	Bunz	.....	63/32
D440,902	S	*	4/2001	Wolf	.....	D11/90
D457,831	S	*	5/2002	Kaufman	.....	D11/90
D469,035	S	*	1/2003	Yuan	.....	D11/90
D478,528	S	*	8/2003	Mehta et al.	.....	D11/90
D485,183	S	*	1/2004	Lerolle	.....	D9/503
D486,752	S	*	2/2004	Namdar	.....	D11/90
D489,283	S	*	5/2004	Wueste	.....	D11/90

6,745,596	B2	*	6/2004	Wueste	.....	63/32
D569,297	S	*	5/2008	Shah	.....	D11/90
D581,828	S	*	12/2008	Mehta	.....	D11/90
D583,702	S	*	12/2008	Habif	.....	D11/90
D596,981	S	*	7/2009	Hodara	.....	D11/90
D605,973	S	*	12/2009	Taran	.....	D11/90

\* cited by examiner

*Primary Examiner*—Ralf Seifert

(74) *Attorney, Agent, or Firm*—Jones Day

(57) **CLAIM**

The ornamental design for a precious stone cut short corners crown design having 45 facets, as shown and described.

**DESCRIPTION**

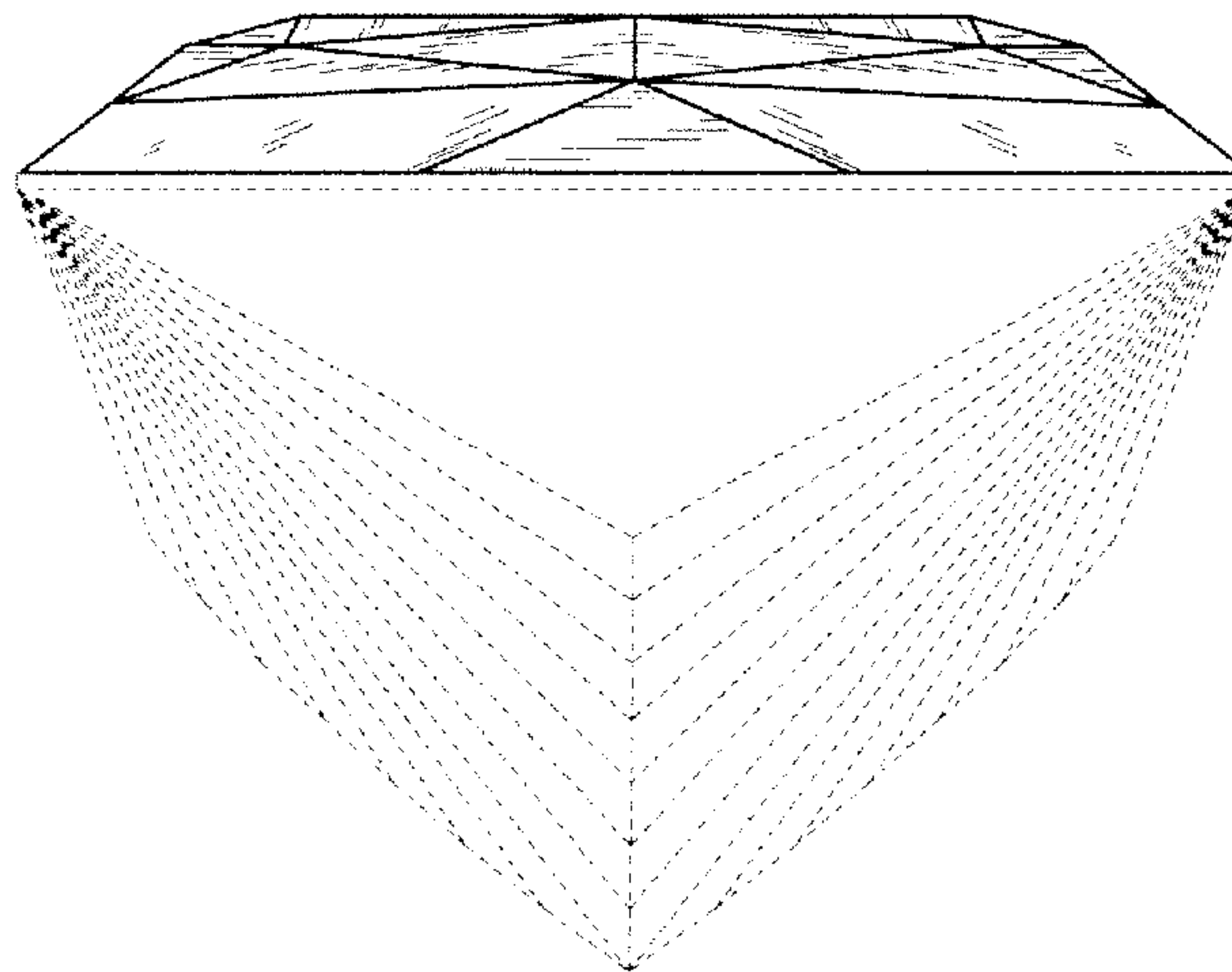
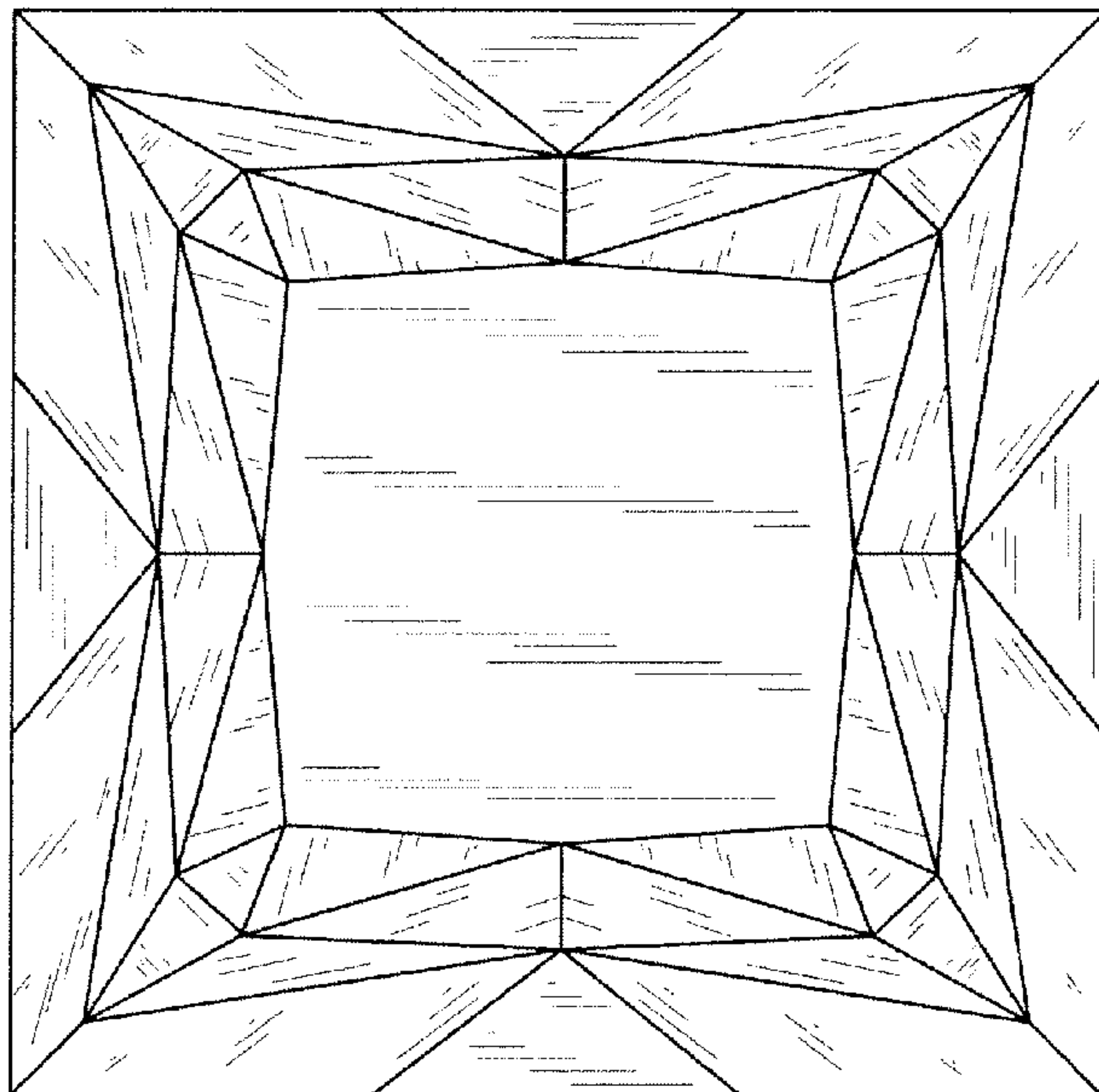
FIG. 1 is a top plan view of a precious stone cut short corners crown design having 45 facets showing my new design;

FIG. 2 is a side view; and,

FIG. 3 is a bottom plan view.

The broken line showing of the pavilion of a gemstone is included for the purpose of illustrating environmental matter and forms no part of the claimed design.

**1 Claim, 2 Drawing Sheets**



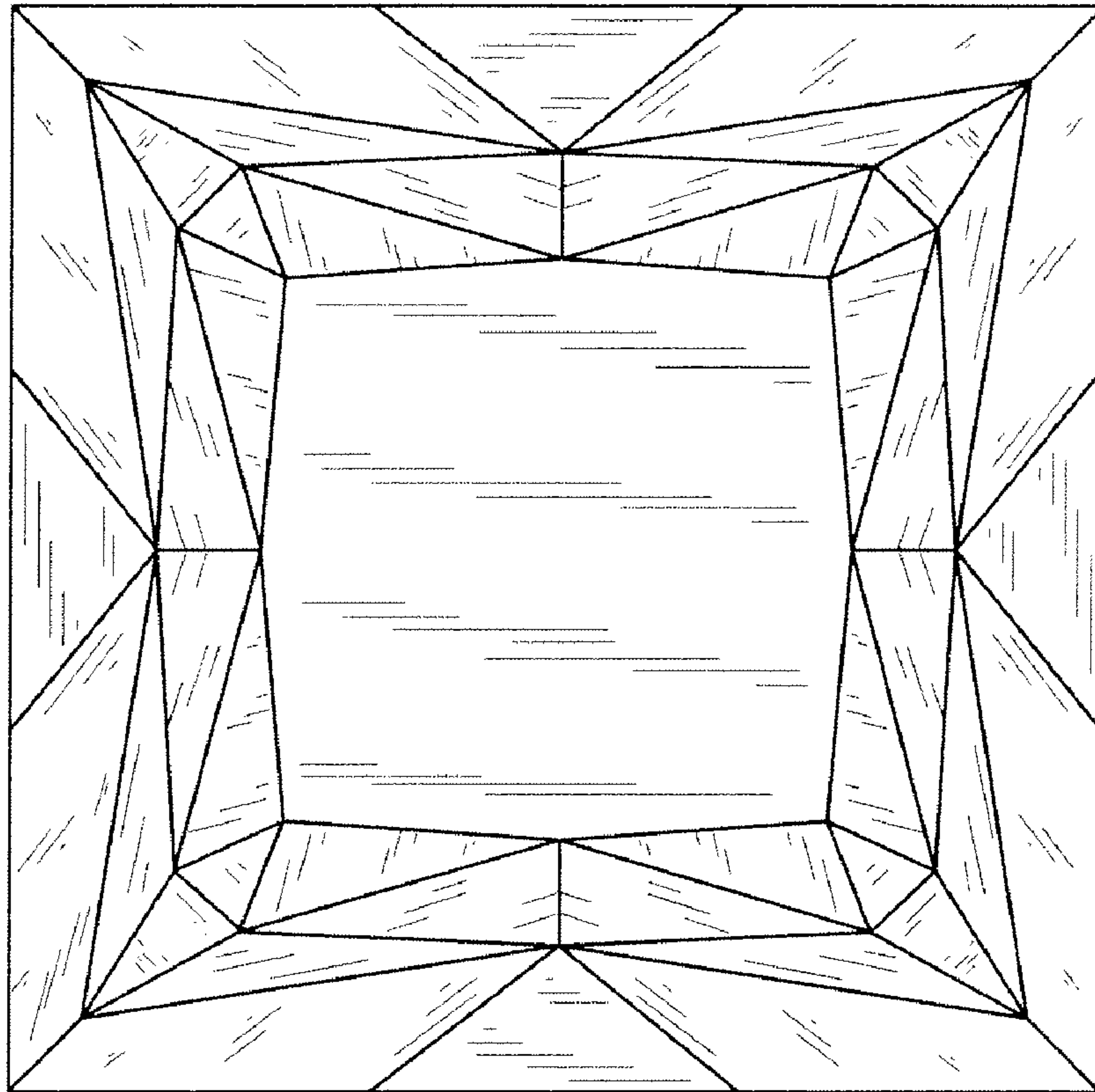


Fig. 1

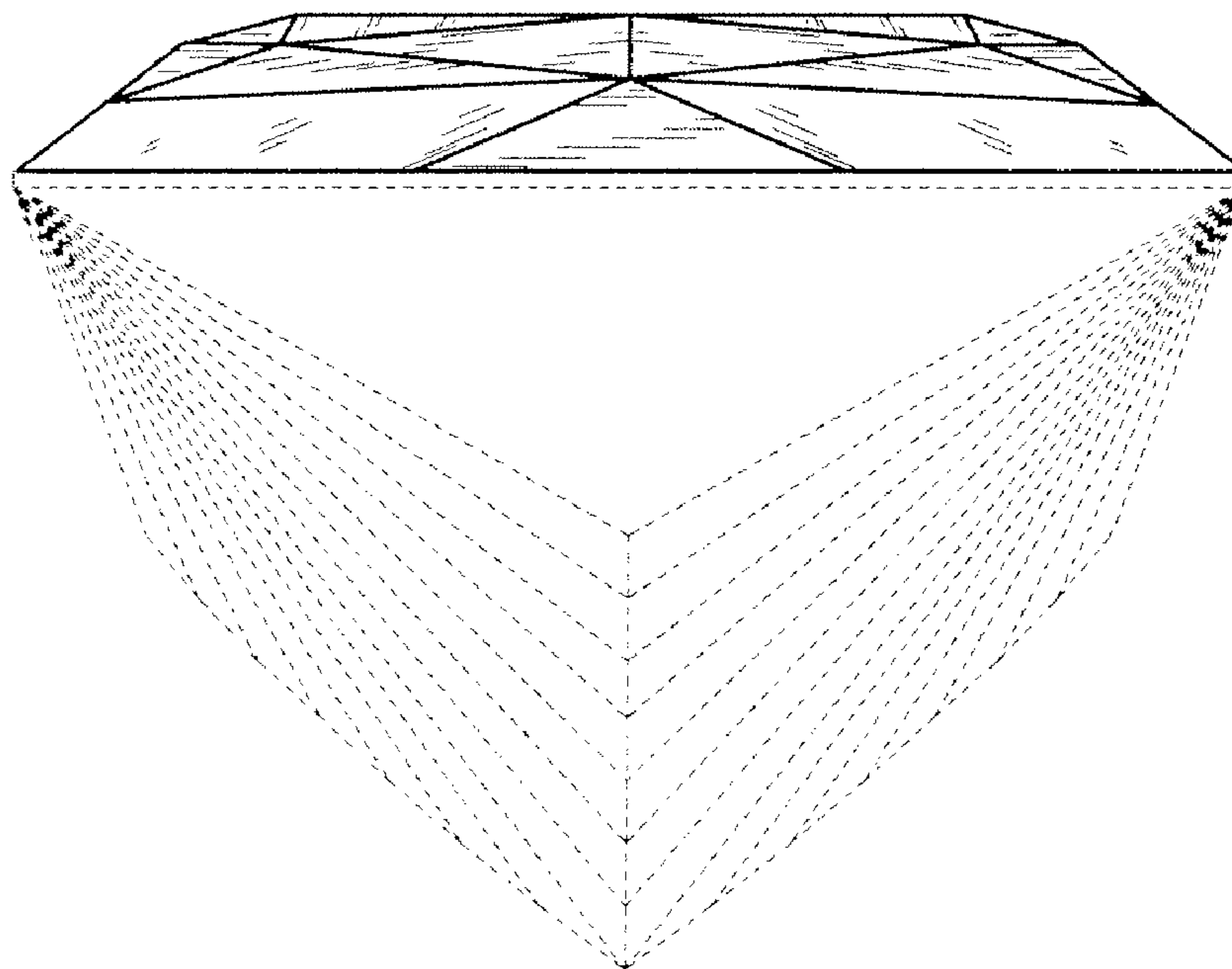


Fig. 2

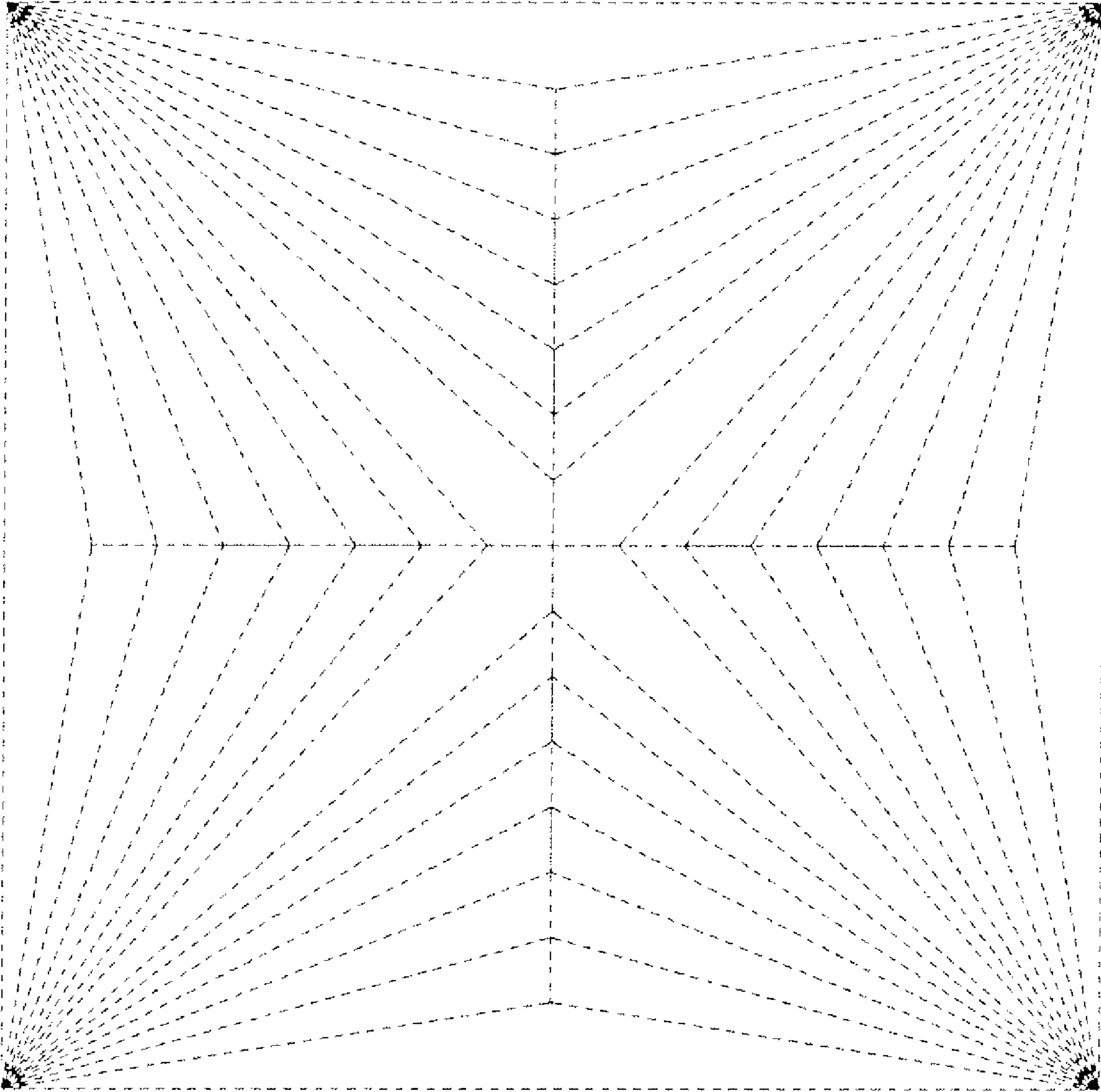


Fig. 3