



US00D610930S

(12) **United States Design Patent**  
**Scholpp**

(10) **Patent No.:** **US D610,930 S**

(45) **Date of Patent:** **\*\* \*Mar. 2, 2010**

(54) **SCALE**

(75) Inventor: **Werner Scholpp**, Oberriexingen (DE)

(73) Assignee: **SECA AG**, Reinach (CH)

(\*) Notice: This patent is subject to a terminal disclaimer.

(\*\*) Term: **14 Years**

(21) Appl. No.: **29/334,530**

(22) Filed: **Mar. 27, 2009**

(30) **Foreign Application Priority Data**

Sep. 29, 2008 (EM) ..... 001010722

(51) **LOC (9) Cl.** ..... **10-04**

(52) **U.S. Cl.** ..... **D10/92**

(58) **Field of Classification Search** ..... D10/92,  
D10/93; 177/4, 25.12–25.16, 177, 199, 210 R,  
177/238–245, DIG. 3, 262, 210 C, 30, 126–127;  
324/692, 512, 515, 806; 600/506, 547  
See application file for complete search history.

(56) **References Cited**

**U.S. PATENT DOCUMENTS**

D425,807 S \* 5/2000 Sato ..... D10/92  
6,516,221 B1 \* 2/2003 Hirouchi et al. .... 600/547

6,665,561 B2 \* 12/2003 Baba et al. .... 600/547  
D503,899 S \* 4/2005 Yamada et al. .... D10/92  
D523,366 S \* 6/2006 Ulrich ..... D10/92  
D525,547 S \* 7/2006 Yamada et al. .... D10/92  
D531,535 S \* 11/2006 Yamada et al. .... D10/92  
D532,329 S \* 11/2006 Yamada et al. .... D10/92  
7,256,357 B1 \* 8/2007 Kesselman ..... 177/25.15  
D552,499 S \* 10/2007 Ashida et al. .... D10/92  
D587,152 S \* 2/2009 Scholpp ..... D10/92  
D587,153 S \* 2/2009 Scholpp ..... D10/92

\* cited by examiner

*Primary Examiner*—Antoine D Davis

(74) *Attorney, Agent, or Firm*—Nixon & Vanderhye, P.C.

(57) **CLAIM**

The ornamental design for a “scale,” as shown and described.

**DESCRIPTION**

FIG. 1 is a left top front perspective view of a scale showing my new design;

FIG. 2 is a left side elevation view thereof;

FIG. 3 is a plan view thereof;

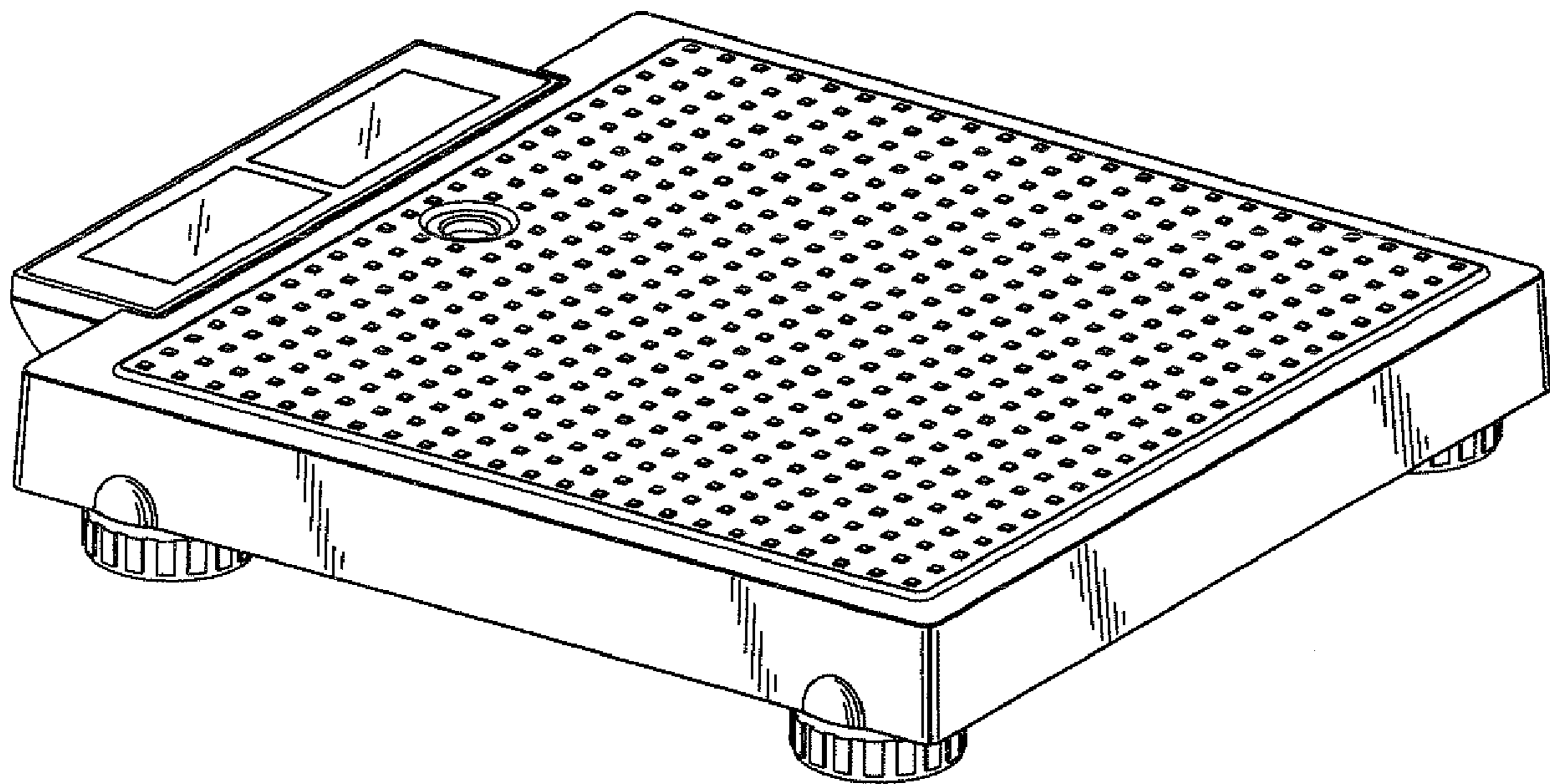
FIG. 4 is a bottom plan view thereof;

FIG. 5 is a right side elevation view thereof;

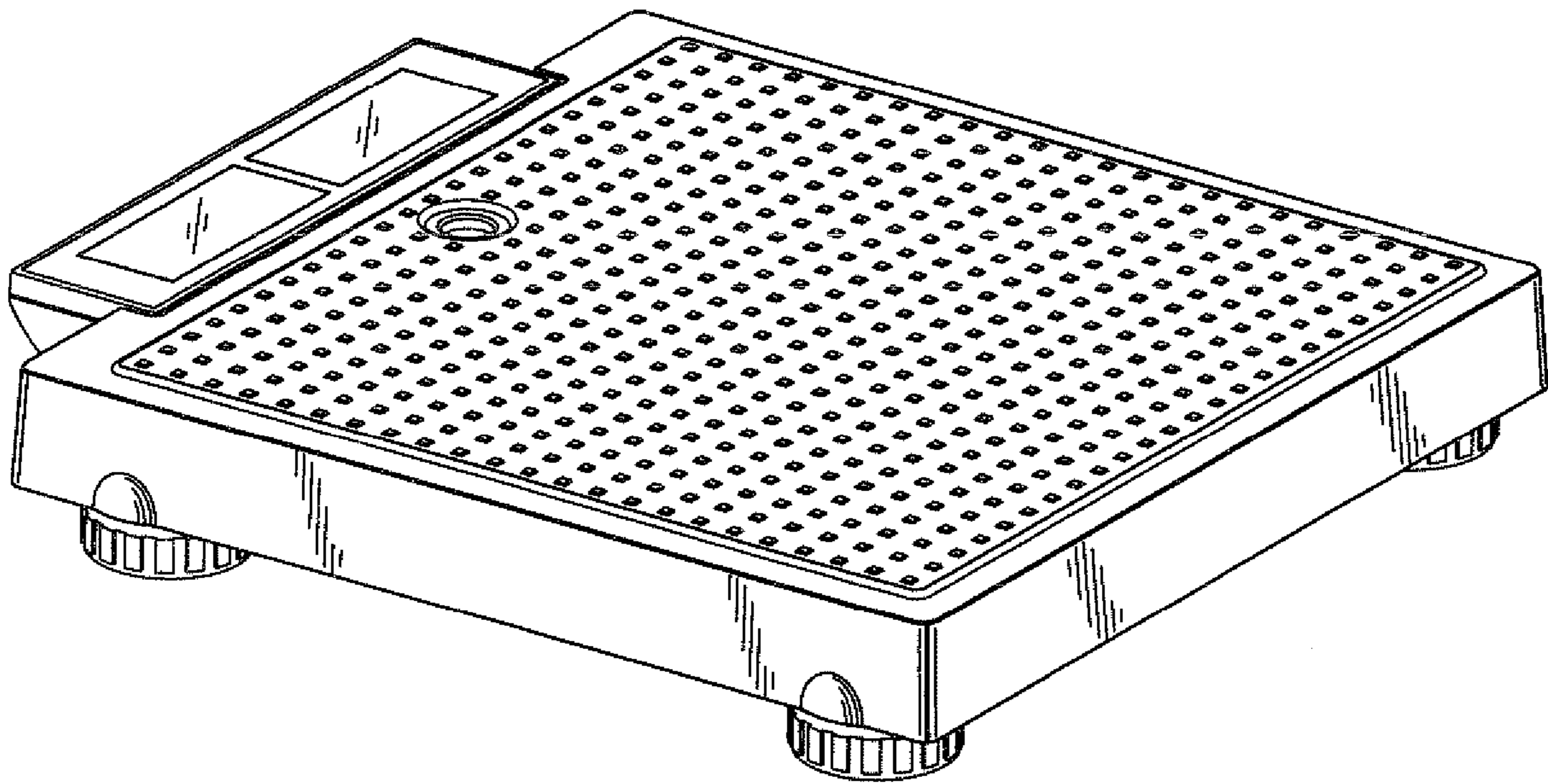
FIG. 6 is a front elevation view thereof; and,

FIG. 7 is a rear elevation view thereof.

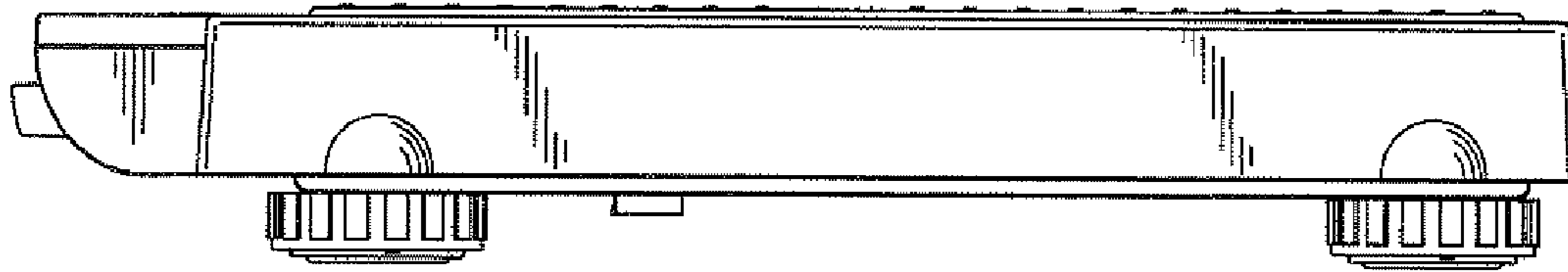
**1 Claim, 4 Drawing Sheets**



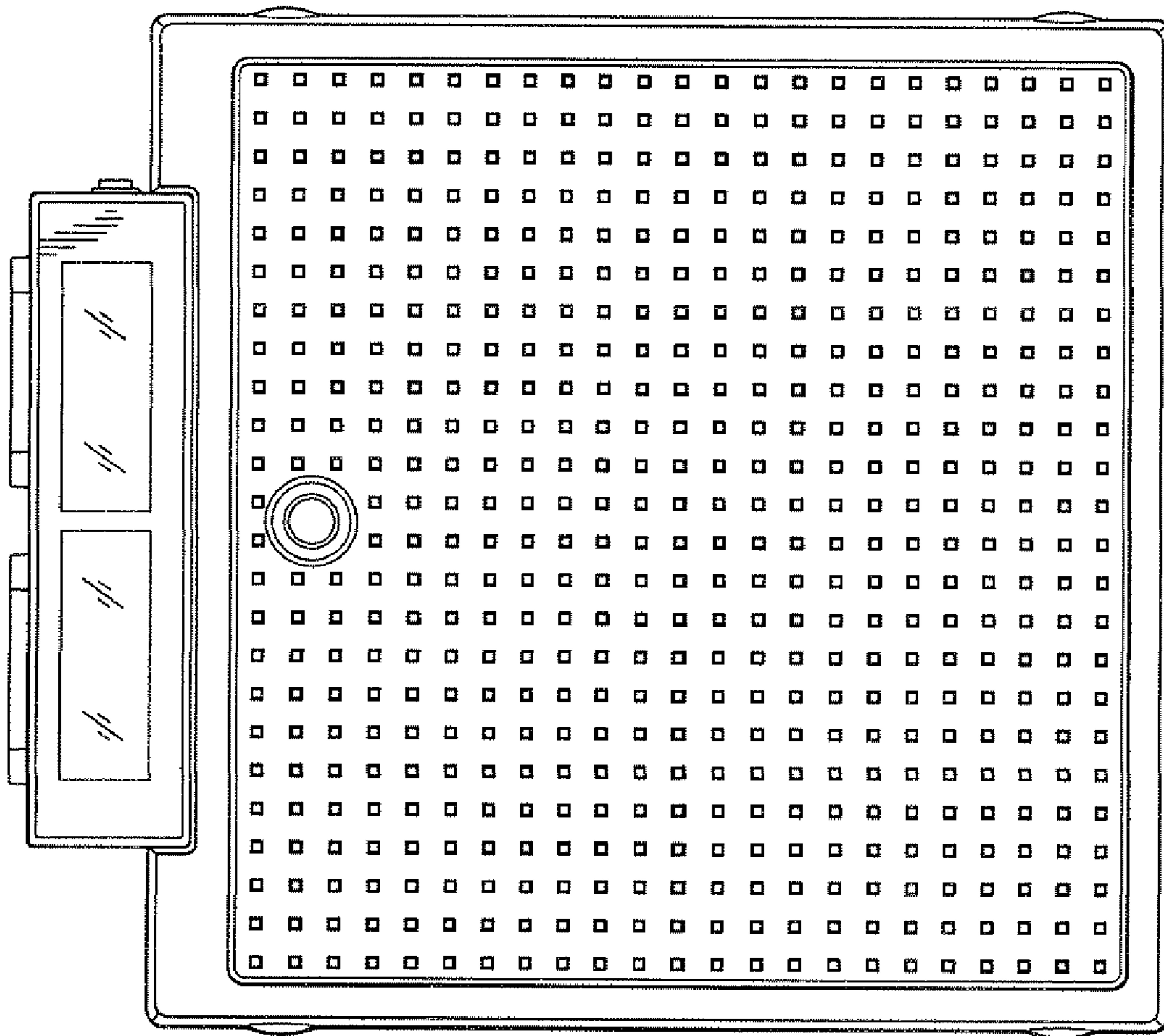
***Fig. 1***



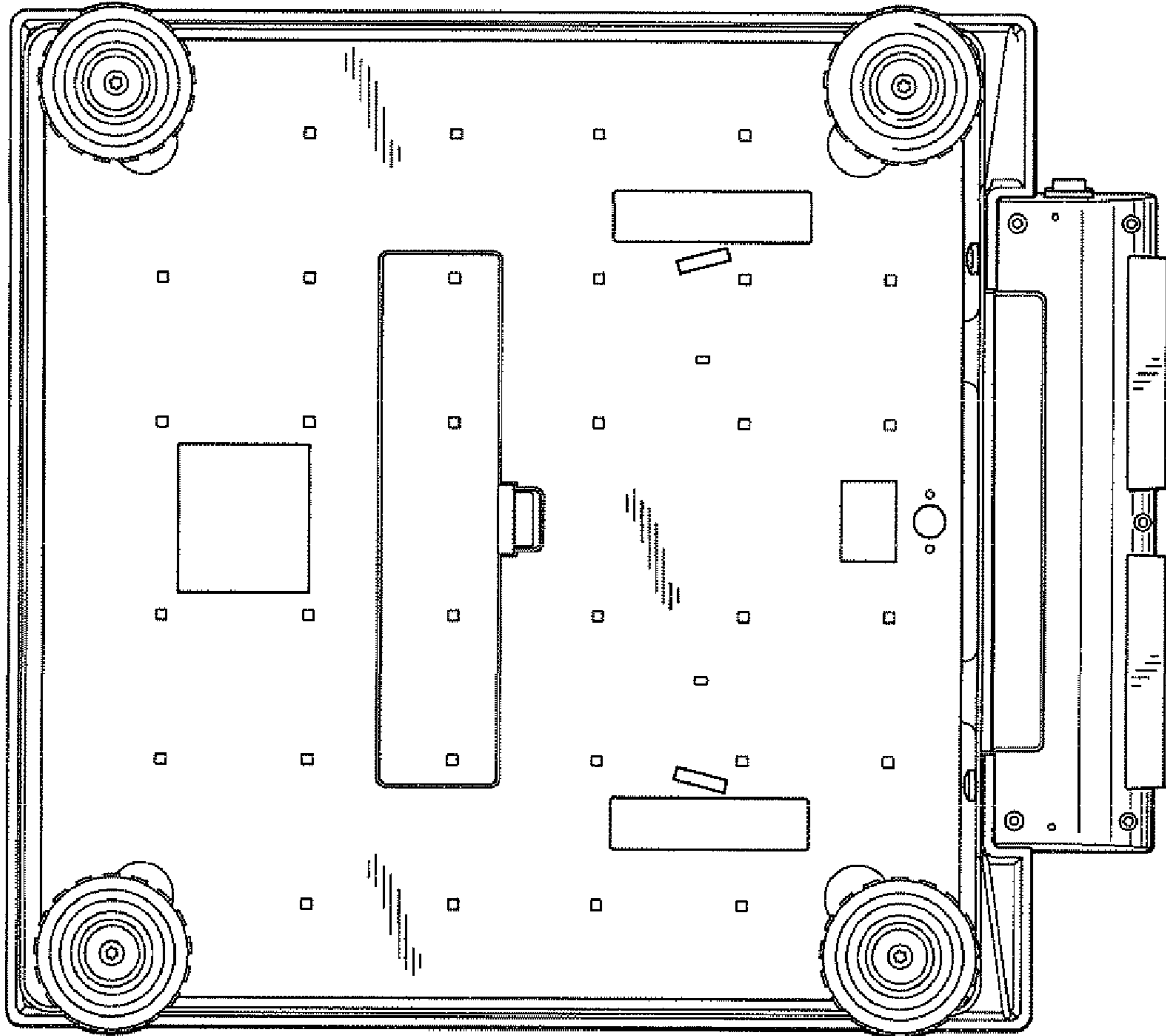
***Fig. 2***



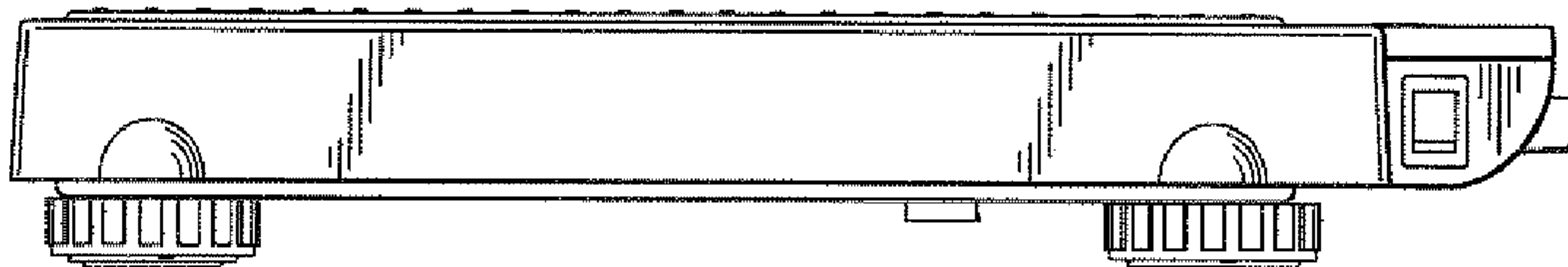
***Fig. 3***



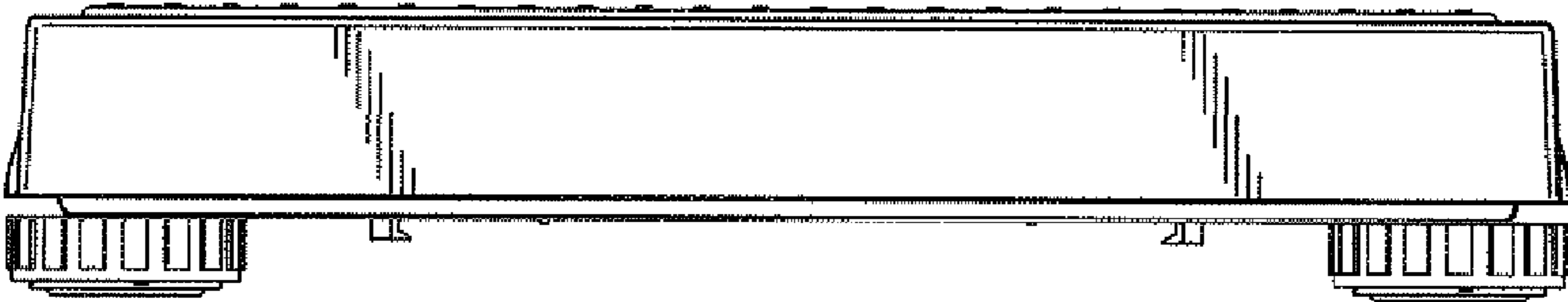
***Fig. 4***



***Fig. 5***



***Fig. 6***



***Fig. 7***

