



US00D610927S

(12) **United States Design Patent**
Garthoff et al.

(10) **Patent No.:** **US D610,927 S**
(45) **Date of Patent:** **** Mar. 2, 2010**

(54) **BODY LENGTH MEASURING DEVICE FOR INFANTS**

D400,810 S * 11/1998 Landauer D10/70
5,974,678 A * 11/1999 Landauer 33/512
6,256,896 B1 * 7/2001 Landauer 33/512

(75) Inventors: **Till Garthoff**, Hamburg (DE); **Detlef Rhein**, Hamburg (DE)

* cited by examiner

(73) Assignee: **Seca AG**, Reinach BL 1 (CH)

Primary Examiner—Antoine D Davis
(74) *Attorney, Agent, or Firm*—Nixon & Vanderhye, P.C.

(**) Term: **14 Years**

(21) Appl. No.: **29/334,525**

(57) **CLAIM**

(22) Filed: **Mar. 27, 2009**

The ornamental design for a “body length measuring device for infants,” as shown and described.

(30) **Foreign Application Priority Data**

DESCRIPTION

Sep. 29, 2008 (EM) 001010755

FIG. 1 is a top left front perspective view of the body length measuring device for infants in accordance with our new design;

(51) **LOC (9) Cl.** **10-04**

(52) **U.S. Cl.** **D10/70**

FIG. 2 is a top plan view thereof;

(58) **Field of Classification Search** D10/70;
33/511, 512, 515, 760, 783, 806, 809, 810;
177/245

FIG. 3 is a left side elevation view thereof;

See application file for complete search history.

FIG. 4 is a right side elevation view thereof;

(56) **References Cited**

FIG. 5 is a rear elevation view thereof;

U.S. PATENT DOCUMENTS

FIG. 6 is a front elevation view thereof; and,

4,939,849 A * 7/1990 Johnson 33/811

FIG. 7 is a bottom plan view thereof.

1 Claim, 4 Drawing Sheets

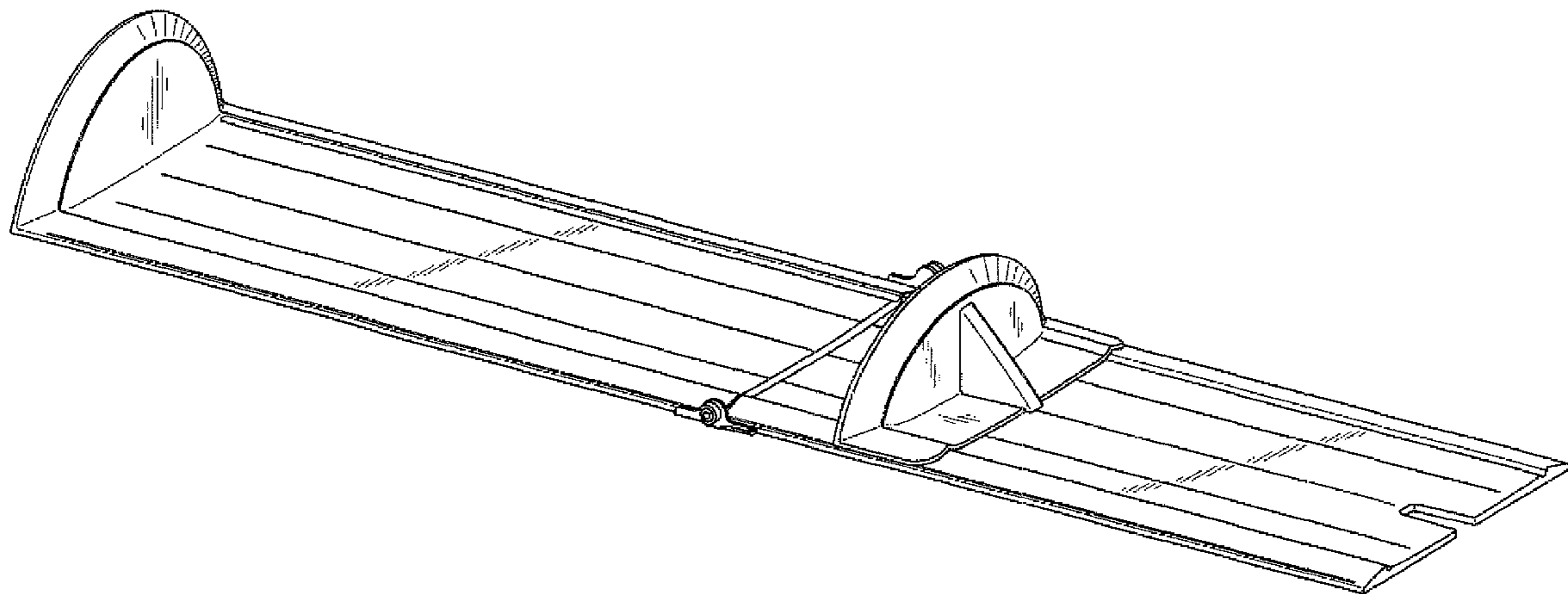
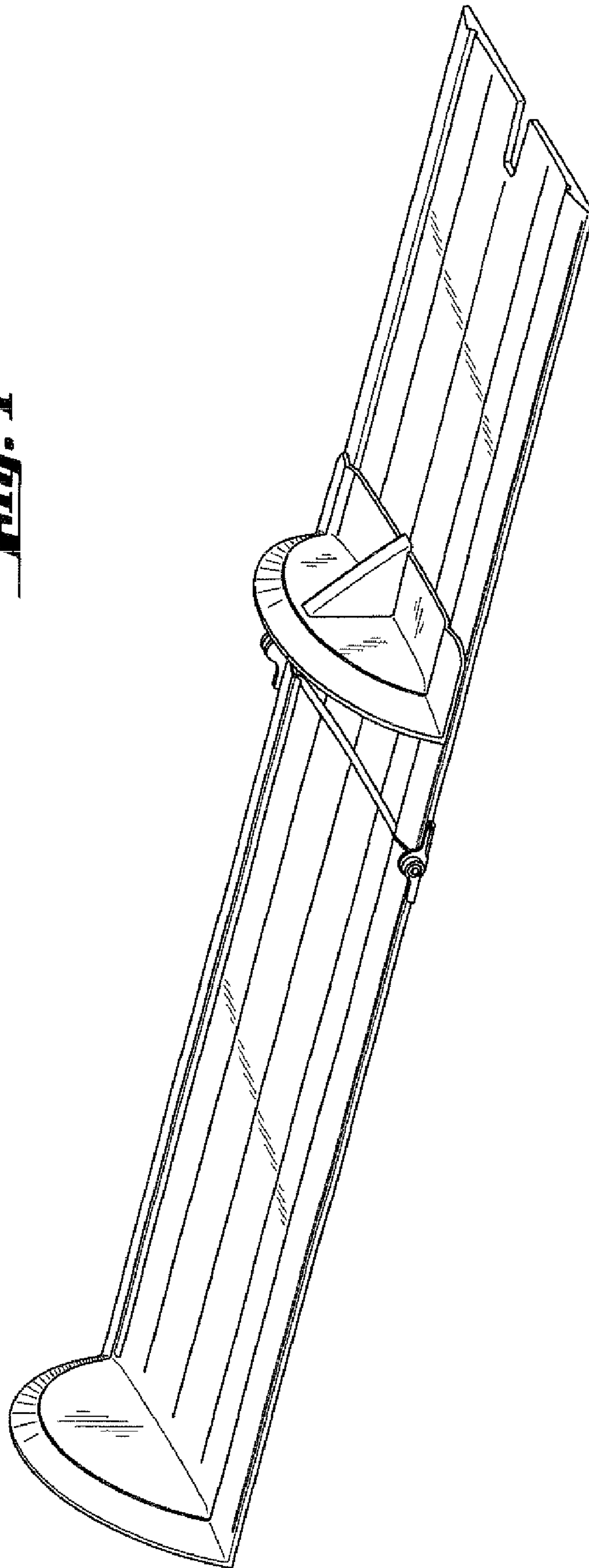


Fig. 1



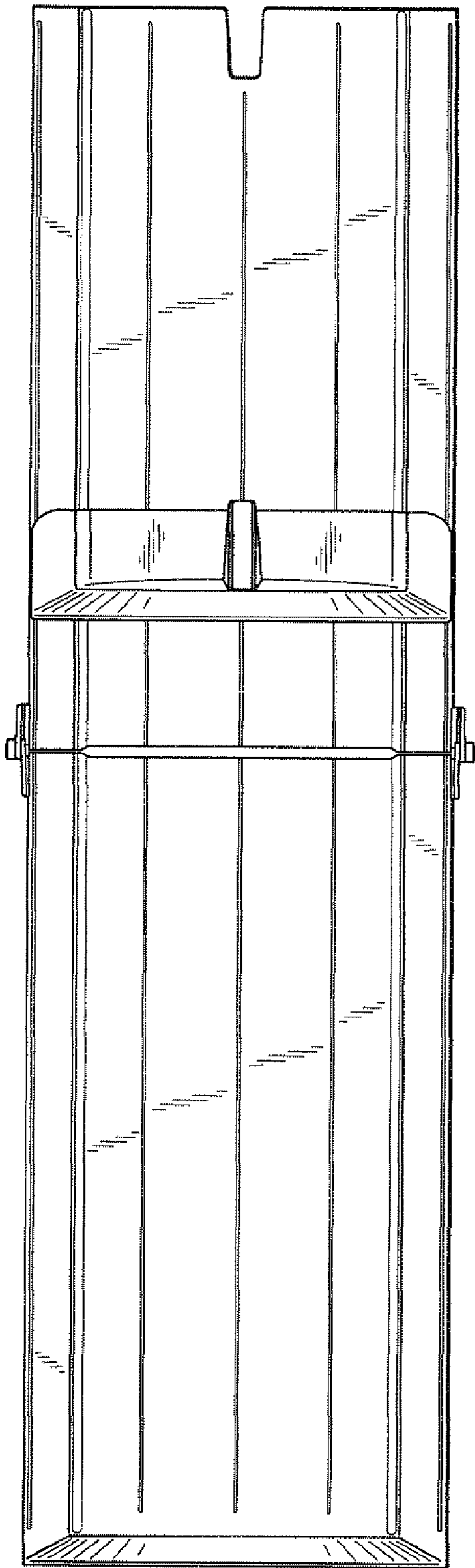


Fig. 2

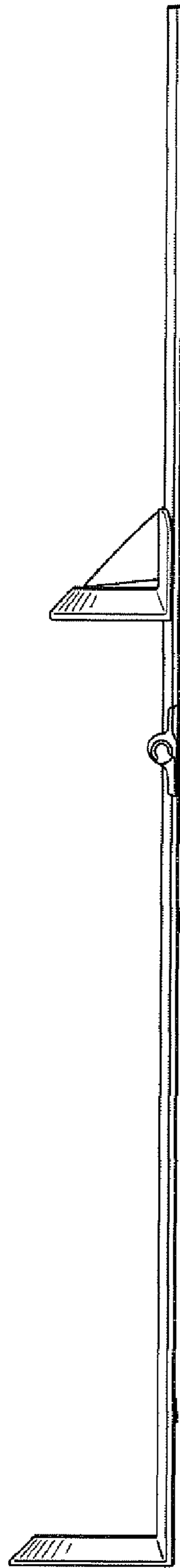


Fig. 3

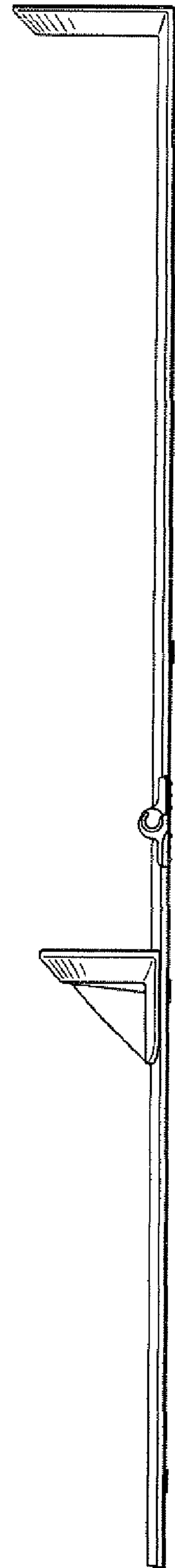


Fig. 4

Fig. 6

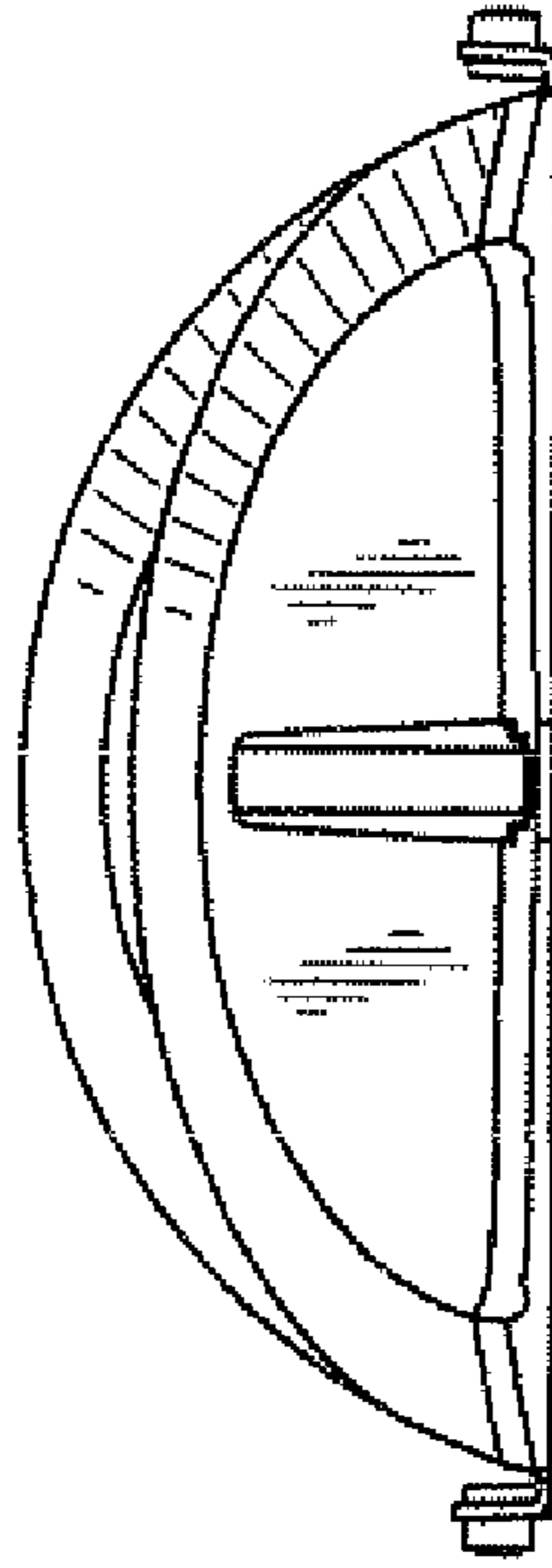


Fig. 5

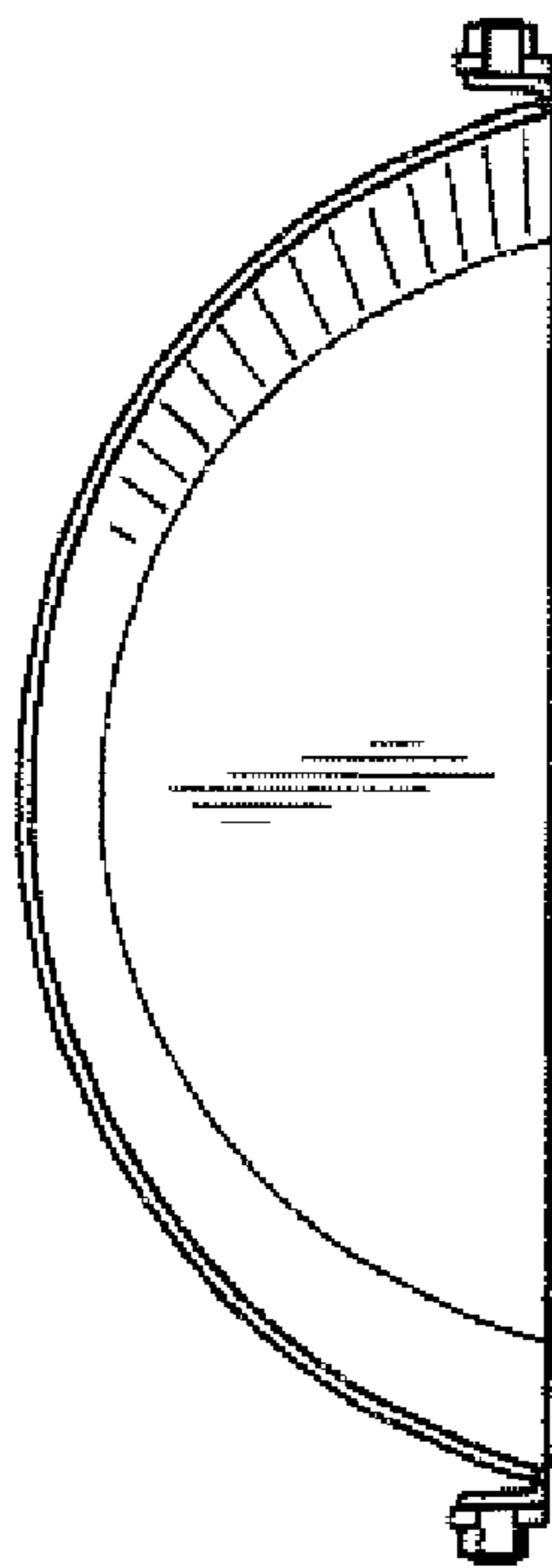


FIG. 1

