



US00D610926S

(12) **United States Design Patent**
Gerent et al.

(10) **Patent No.:** **US D610,926 S**
(45) **Date of Patent:** **** *Mar. 2, 2010**

(54) **PORTABLE COORDINATE MEASUREMENT MACHINE**

(75) Inventors: **Jerry Gerent**, Vista, CA (US); **Dongmei Hong**, San Diego, CA (US); **Thibault Duportal**, Prunay Cassereau (FR); **Romain Granger**, Montoire (FR)

(73) Assignee: **Hexagon Metrology, Inc.**, Norcross, GA (US)

(**) Term: **14 Years**

(21) Appl. No.: **29/341,062**

(22) Filed: **Jul. 30, 2009**

Related U.S. Application Data

(62) Division of application No. 29/306,621, filed on Apr. 11, 2008, now Pat. No. Des. 599,226.

(51) **LOC (9) Cl.** **10-04**

(52) **U.S. Cl.** **D10/63; D15/199**

(58) **Field of Classification Search** D10/46, D10/63; D15/199; 33/503-505, 558; 74/491.01-490.15; 319/560; 700/245, 262, 195, 80; 702/150-156, 702/94, 95, 167-169

See application file for complete search history.

(56) **References Cited**

U.S. PATENT DOCUMENTS

4,588,339 A	5/1986	Bilz
5,084,981 A	2/1992	McMurtry et al.
5,088,337 A	2/1992	Bennett
5,148,377 A	9/1992	McDonald
5,187,874 A	2/1993	Takahashi et al.
5,189,797 A	3/1993	Granger
5,396,712 A	3/1995	Herzog
5,408,754 A	4/1995	Raab
5,412,880 A	5/1995	Raab
5,505,003 A	4/1996	Evans et al.
5,510,977 A	4/1996	Raab
5,521,847 A	5/1996	Ostrowski et al.
5,526,576 A	6/1996	Fuchs et al.

5,528,505 A	6/1996	Granger et al.
D377,932 S *	2/1997	Schena et al. D14/411
5,611,147 A	3/1997	Raab
5,615,489 A	4/1997	Breyer et al.
5,757,499 A	5/1998	Eaton
5,768,792 A	6/1998	Raab
5,794,356 A	8/1998	Raab
5,822,450 A	10/1998	Arakawa et al.
5,829,148 A	11/1998	Eaton
5,978,748 A	11/1999	Raab
5,991,704 A	11/1999	Rekar et al.
6,134,506 A	10/2000	Rosenberg et al.
6,161,079 A	12/2000	Zink et al.

(Continued)

FOREIGN PATENT DOCUMENTS

DE 4345091 A1 7/1995

(Continued)

Primary Examiner—Antoine D Davis

(74) *Attorney, Agent, or Firm*—Knobbe, Martens, Olson & Bear LLP

(57) **CLAIM**

The ornamental design for a portable coordinate measurement machine, as shown and described.

DESCRIPTION

FIG. 1 is a perspective view of a portable coordinate measurement machine showing our new design in accordance with a first embodiment of the invention;

FIG. 2 is a side view thereof;

FIG. 3 is a front view thereof;

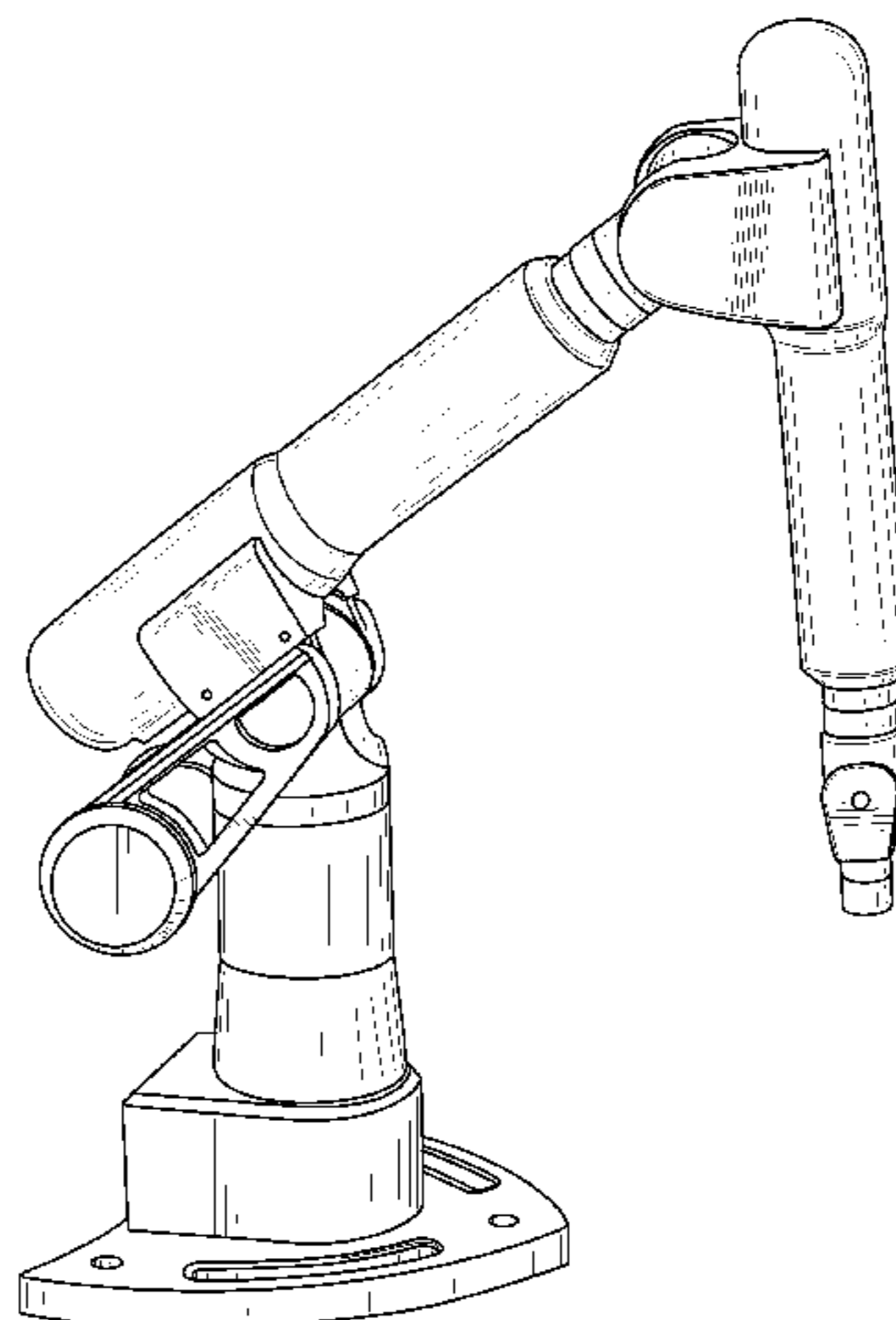
FIG. 4 is a rear view thereof;

FIG. 5 is a top view thereof; and,

FIG. 6 is a bottom view thereof.

A single side view is provided for each embodiment of portable coordinate measurement machine as the opposite side is symmetric.

1 Claim, 6 Drawing Sheets



US D610,926 S

Page 2

U.S. PATENT DOCUMENTS

6,219,928	B1	4/2001	Raab et al.	
6,366,831	B1	4/2002	Raab	
6,487,896	B1	12/2002	Dall'Aglio	
6,526,670	B1	3/2003	Carli	
D472,824	S *	4/2003	Raab et al. D10/63
6,598,306	B2	7/2003	Eaton	
6,611,346	B2	8/2003	Granger	
6,611,617	B1	8/2003	Crampton	
D479,544	S *	9/2003	Raab et al. D15/199
6,618,496	B1	9/2003	Tassakos et al.	
6,668,466	B1	12/2003	Bieg et al.	
D490,831	S *	6/2004	Raab et al. D15/199
D491,589	S *	6/2004	Raab et al. D15/199
D491,965	S *	6/2004	Raab et al. D15/199
D496,595	S *	9/2004	Raab et al. D10/63
D497,815	S *	11/2004	Raab et al. D10/63
6,817,108	B2	11/2004	Eaton	
D502,881	S *	3/2005	Raab et al. D10/63
D502,882	S *	3/2005	Raab et al. D10/63
D503,116	S *	3/2005	Raab et al. D10/63
D503,117	S *	3/2005	Raab et al. D10/63
D503,348	S *	3/2005	Raab et al. D10/63
6,892,465	B2	5/2005	Raab et al.	
6,904,691	B2	6/2005	Raab et al.	
D507,978	S *	8/2005	Raab et al. D10/63
6,925,722	B2	8/2005	Raab et al.	
6,931,745	B2	8/2005	Granger	
6,952,882	B2	10/2005	Raab et al.	
6,984,236	B2	1/2006	Raab	
6,988,322	B2	1/2006	Raab et al.	
7,003,892	B2	2/2006	Eaton et al.	

7,017,275	B2	3/2006	Raab et al.	
7,043,847	B2	5/2006	Raab et al.	
7,051,450	B2	5/2006	Raab et al.	
7,073,271	B2	7/2006	Raab et al.	
7,152,456	B2	12/2006	Eaton	
7,174,651	B2	2/2007	Raab et al.	
7,246,030	B2	7/2007	Raab et al.	
7,269,910	B2	9/2007	Raab et al.	
7,296,364	B2	11/2007	Seitz et al.	
7,296,979	B2	11/2007	Raab et al.	
7,372,581	B2	5/2008	Raab et al.	
7,395,606	B2	7/2008	Crampton	
D607,350	*	1/2010	Cooduvalli et al. D10/63
2002/0195551	A1	12/2002	Baxter et al.	
2004/0185706	A1	9/2004	Price et al.	
2007/0063500	A1	3/2007	Eaton	
2008/0016711	A1	1/2008	Baebler	
2009/0025243	A1	1/2009	Prestidge et al.	

FOREIGN PATENT DOCUMENTS

DE	101 12 977	11/2002
EP	0522610 A1	1/1993
FR	2740546	4/1997
GB	2274526 A	7/1994
JP	04057690	2/1992
JP	05-031685	2/1993
JP	2003-021133	1/2003
JP	2003025176	1/2003
JP	2003175484	6/2003
JP	2006-214559	8/2006
WO	WO 98/08050	2/1998

* cited by examiner

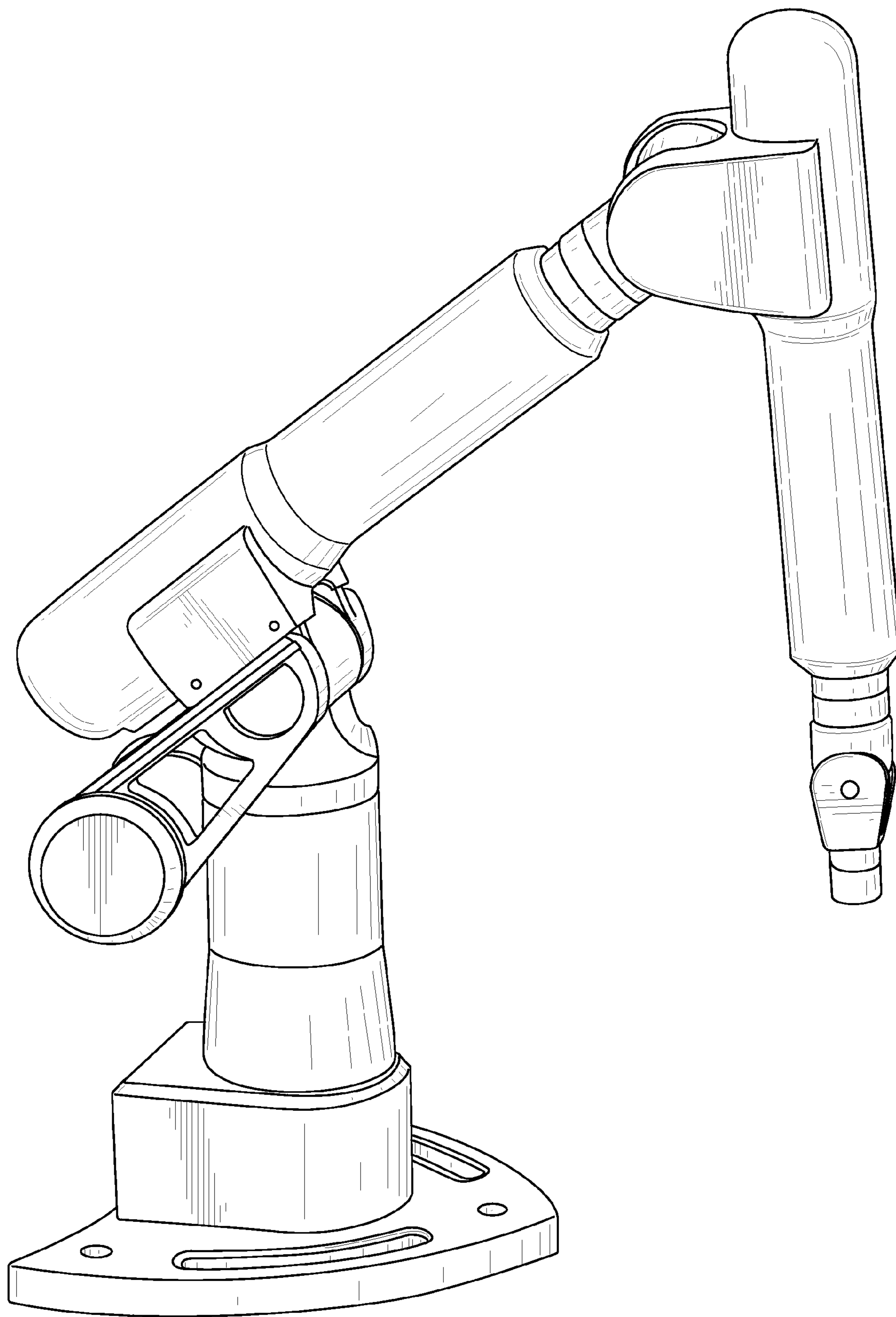


FIG. 1

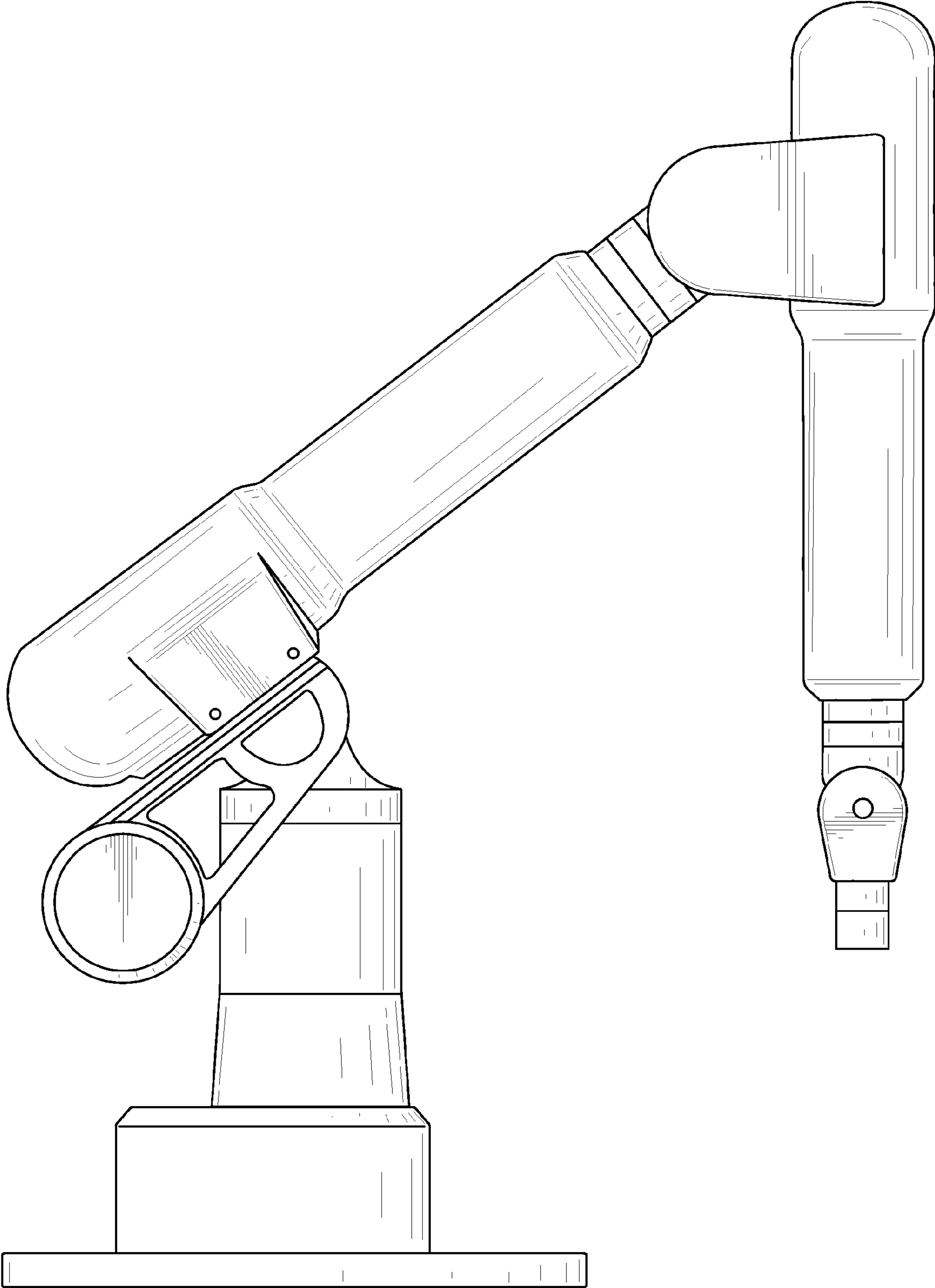


FIG. 2

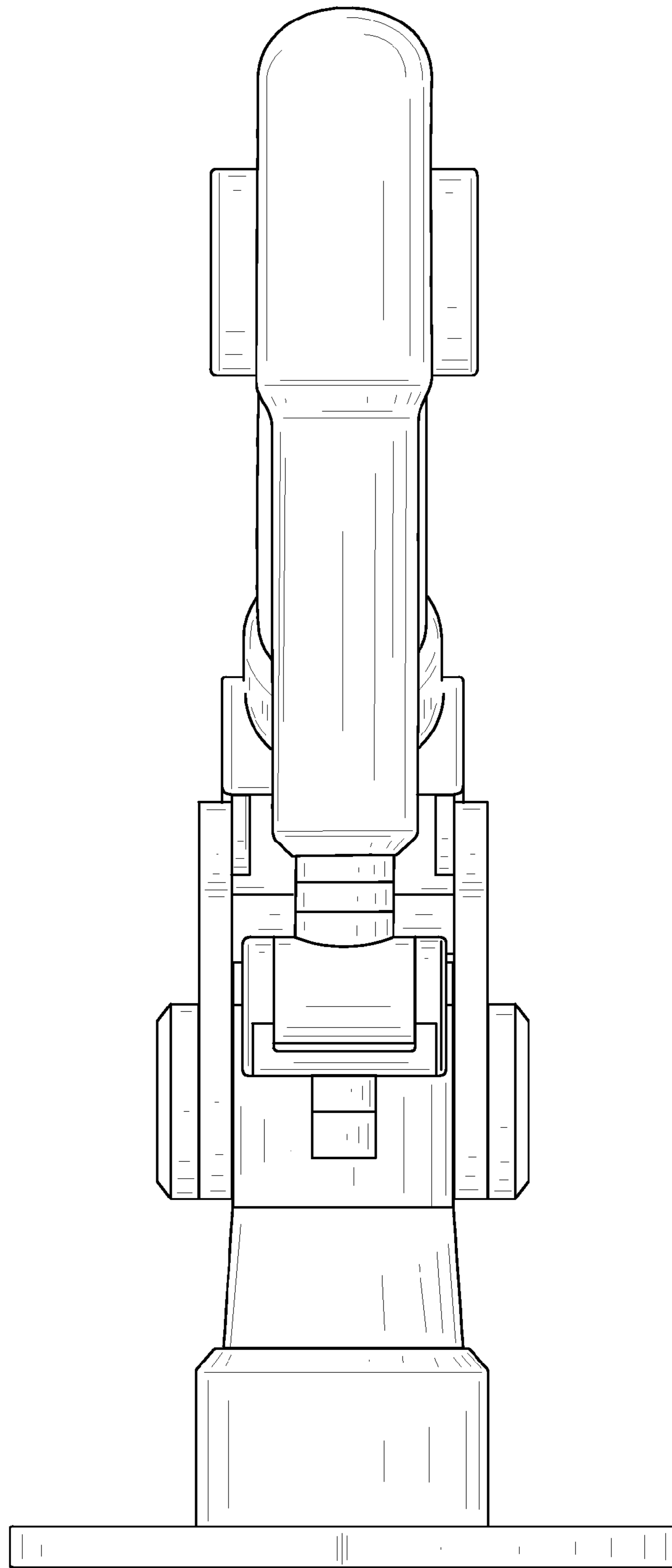


FIG. 3

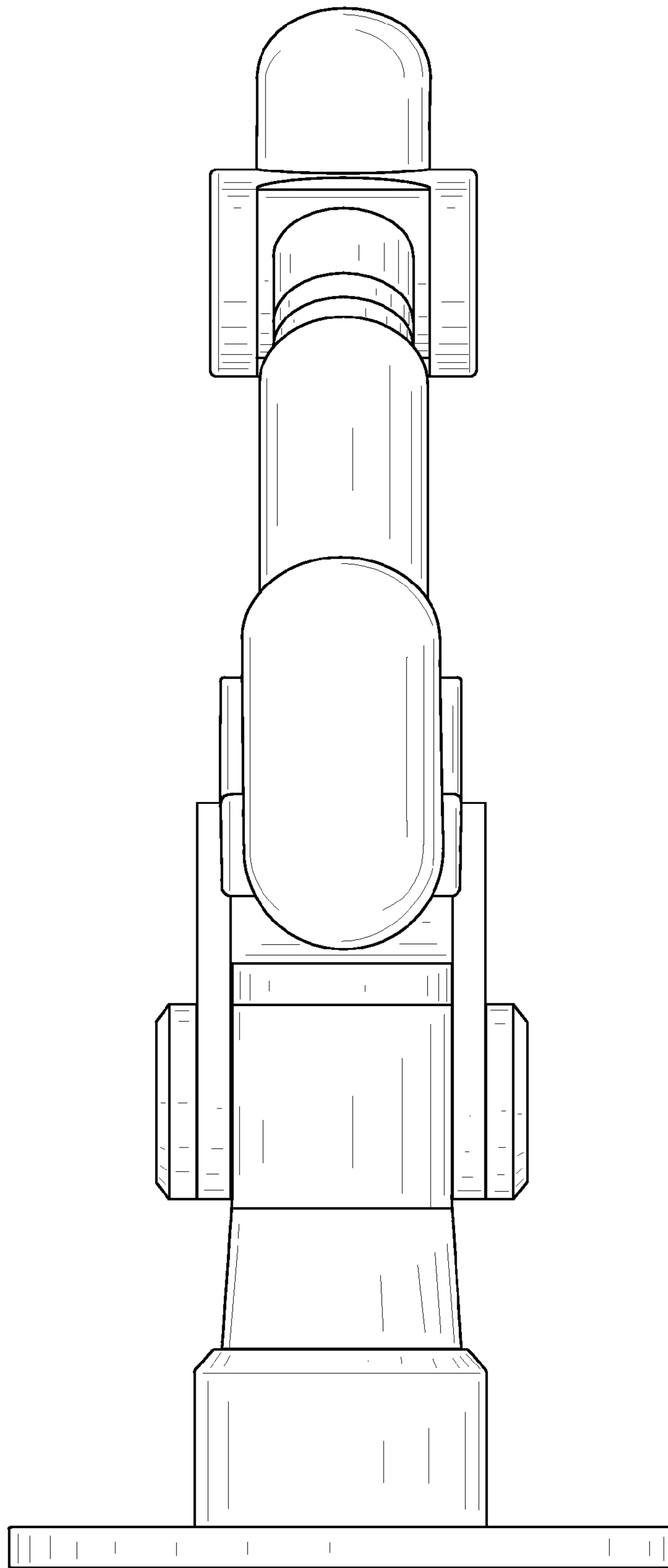


FIG. 4

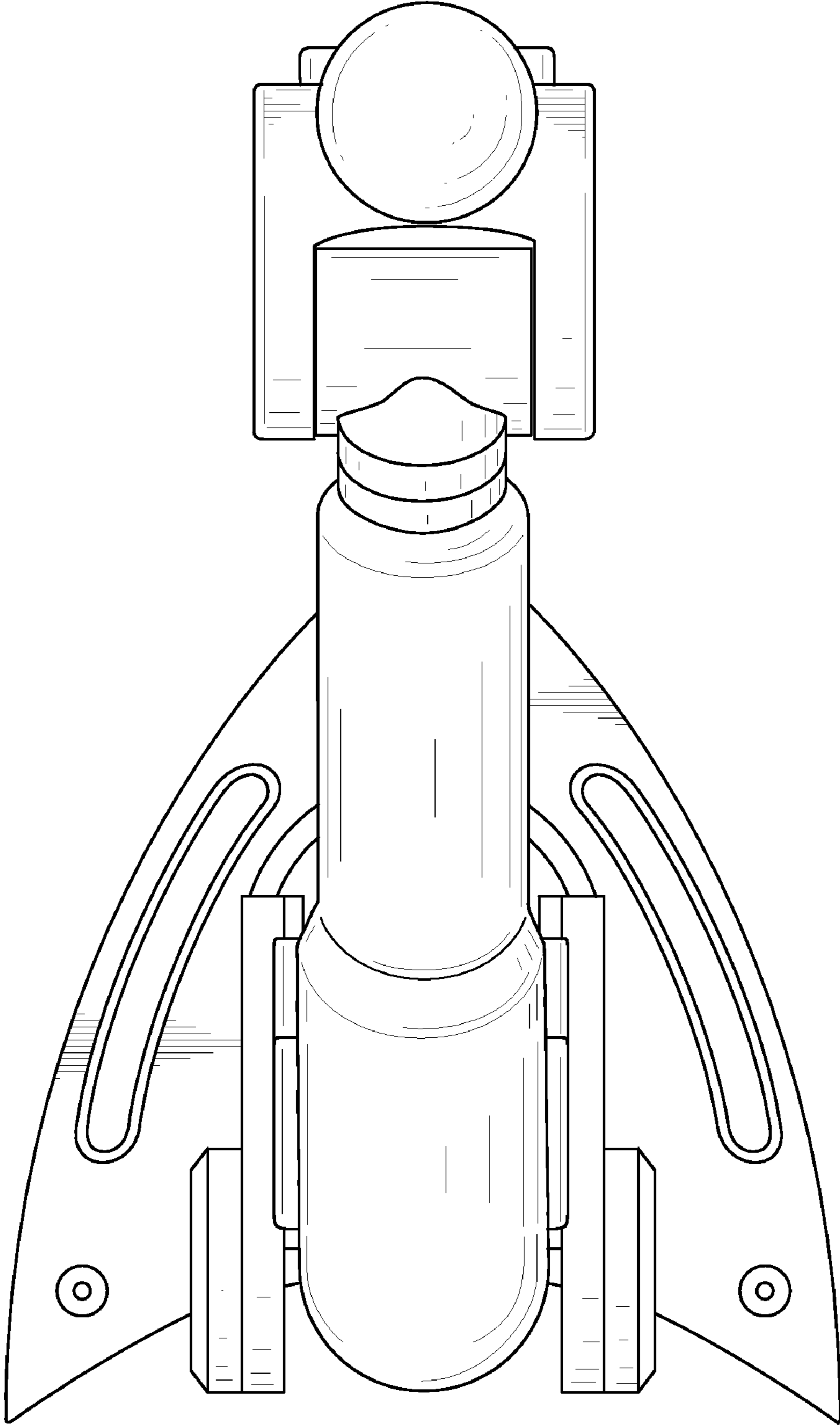


FIG. 5

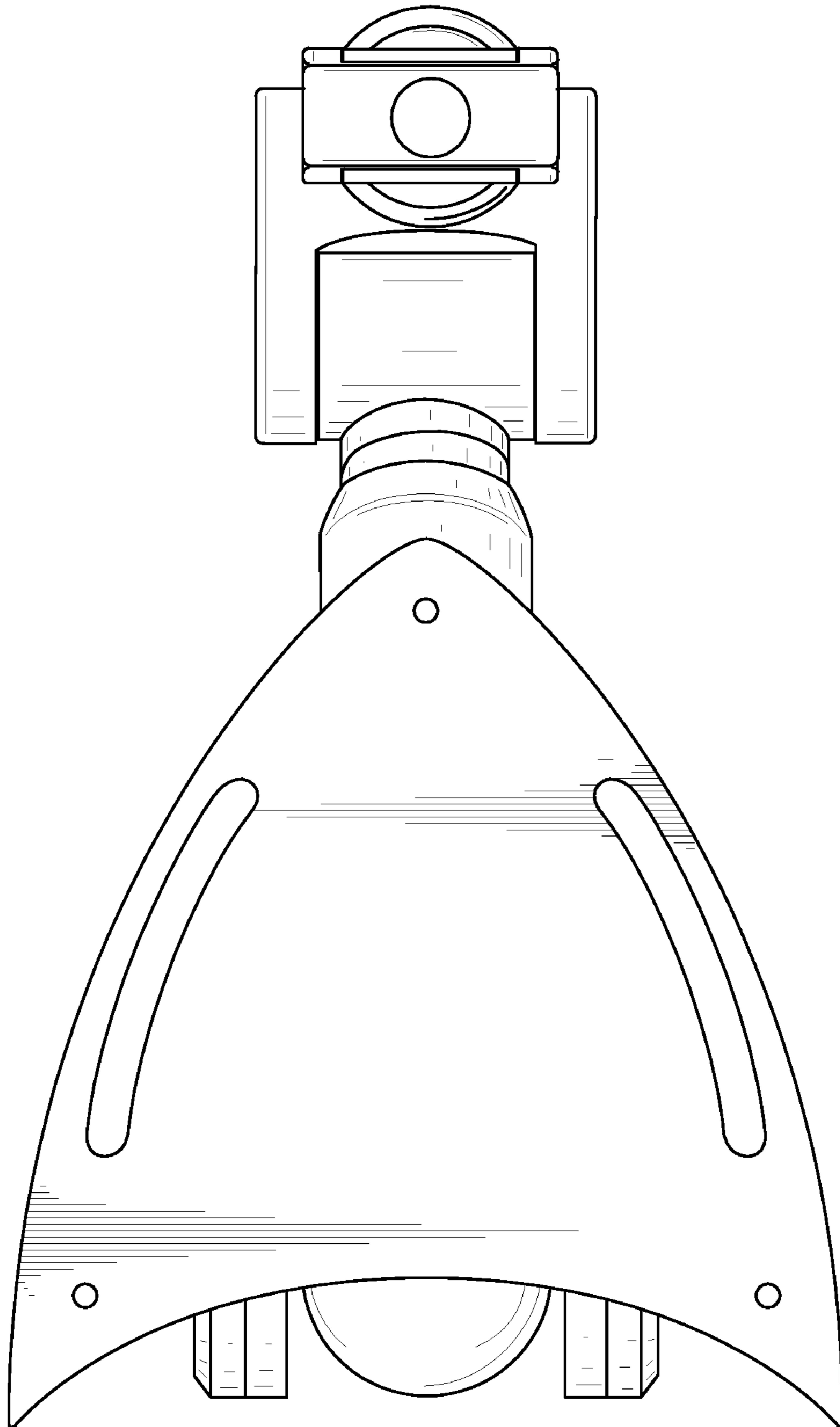


FIG. 6