



US00D610925S

(12) **United States Design Patent**
Pater

(10) **Patent No.:** **US D610,925 S**
(45) **Date of Patent:** **** Mar. 2, 2010**

(54) **PROTRACTOR FOR A CHALK LINE**

D429,171 S * 8/2000 Bernal Vazquez et al. D10/69
* cited by examiner

(75) Inventor: **Derek Pater**, Melbourne (AU)

Primary Examiner—Antoine D Davis

(73) Assignee: **Fortune Extendables Corp.**, Taichung Hsien (TW)

(74) *Attorney, Agent, or Firm*—Alan Kamrath; Kamrath & Associates PA

(**) Term: **14 Years**

(57) **CLAIM**

(21) Appl. No.: **29/340,672**

The ornamental design for a protractor for a chalk line, as shown and described.

(22) Filed: **Jul. 23, 2009**

DESCRIPTION

(51) **LOC (9) Cl.** **10-04**

FIG. 1 is a perspective view of a protractor for a chalk line, showing my new design;

(52) **U.S. Cl.** **D10/62; D10/65; D10/69**

FIG. 2 is a front view thereof;

(58) **Field of Classification Search** D10/62,

FIG. 3 is a rear view thereof;

D10/65, 69; 33/1 LE, 27.04, 41.5, 42, 276, 33/277, 340, 341, 350, 351, 353, 354, 366.12, 33/367, 379, 414, 424, 534

FIG. 4 is a left side view thereof;

See application file for complete search history.

FIG. 5 is a right side view thereof;

(56) **References Cited**

FIG. 6 is a top view thereof;

U.S. PATENT DOCUMENTS

FIG. 7 is a bottom view thereof;

2,998,655 A * 9/1961 White 33/340

FIG. 8 is an another perspective view thereof; and,

3,009,254 A * 11/1961 Youngs 33/379

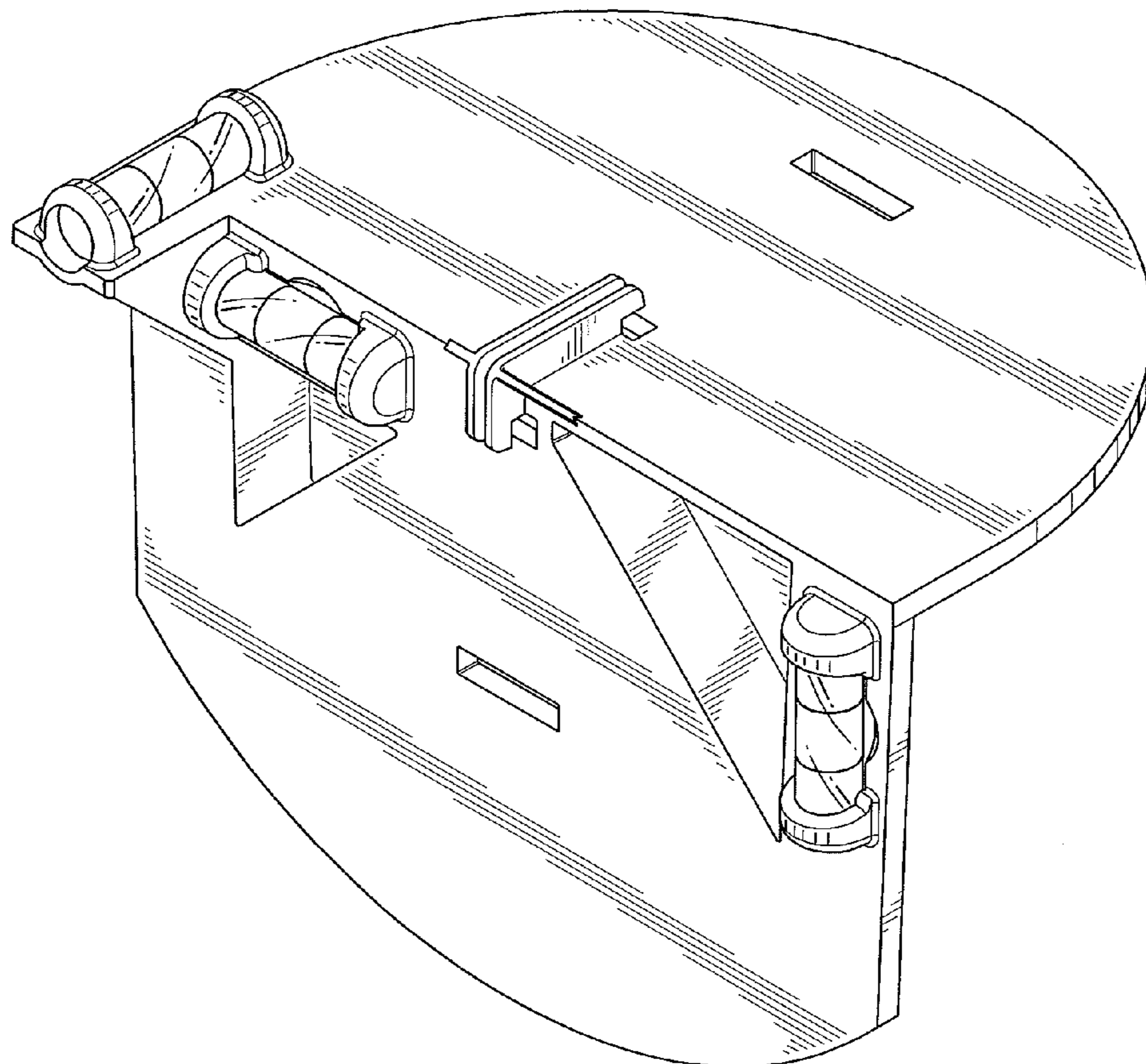
FIG. 9 is an operational perspective view thereof, wherein the broken lines are shown for illustrative purposes only and form no part of the claimed design.

D250,577 S * 12/1978 Thompson et al. D10/65

4,731,933 A * 3/1988 Cope 33/414

4,911,214 A * 3/1990 Scott 33/42

1 Claim, 6 Drawing Sheets



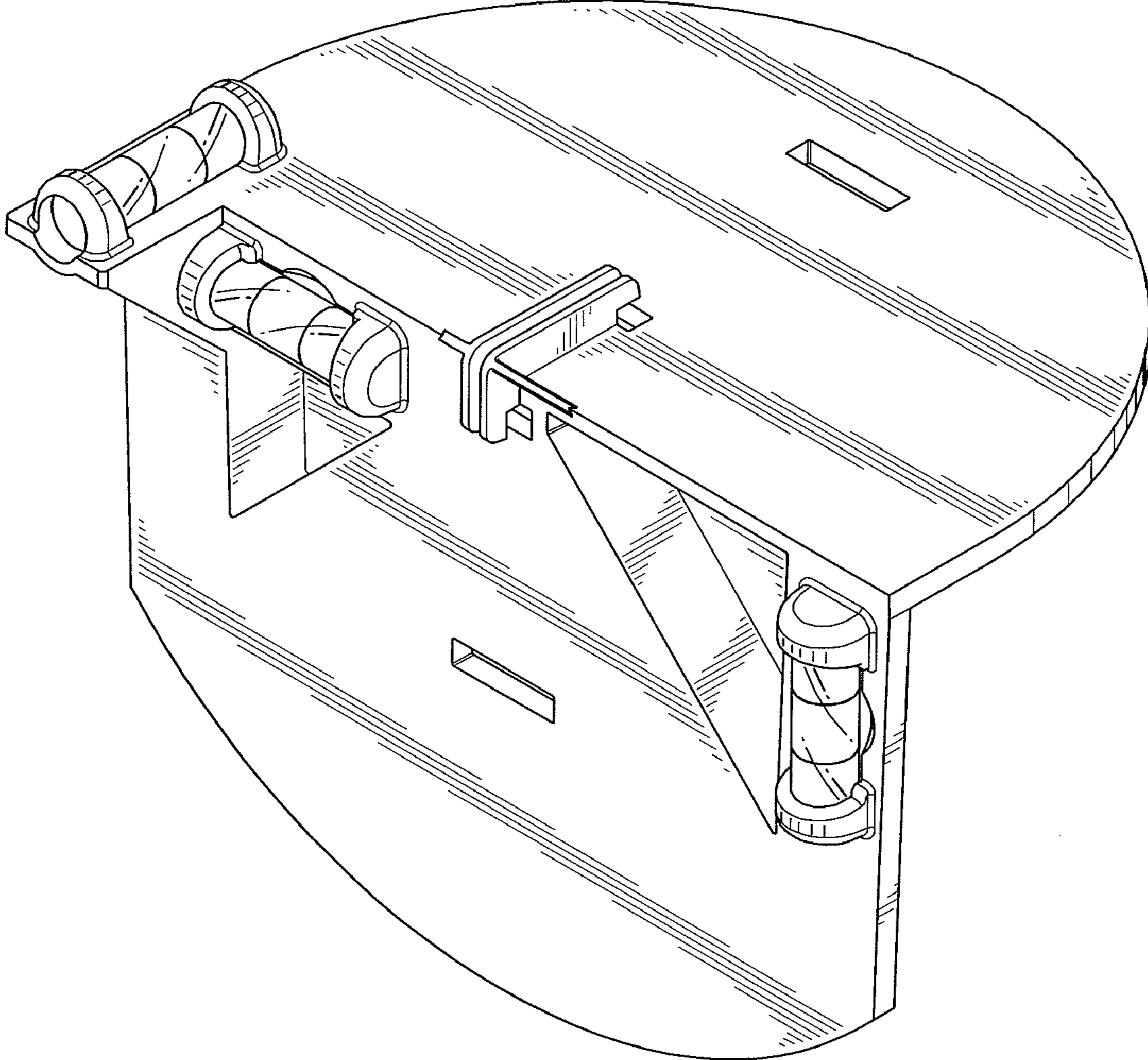


FIG.1

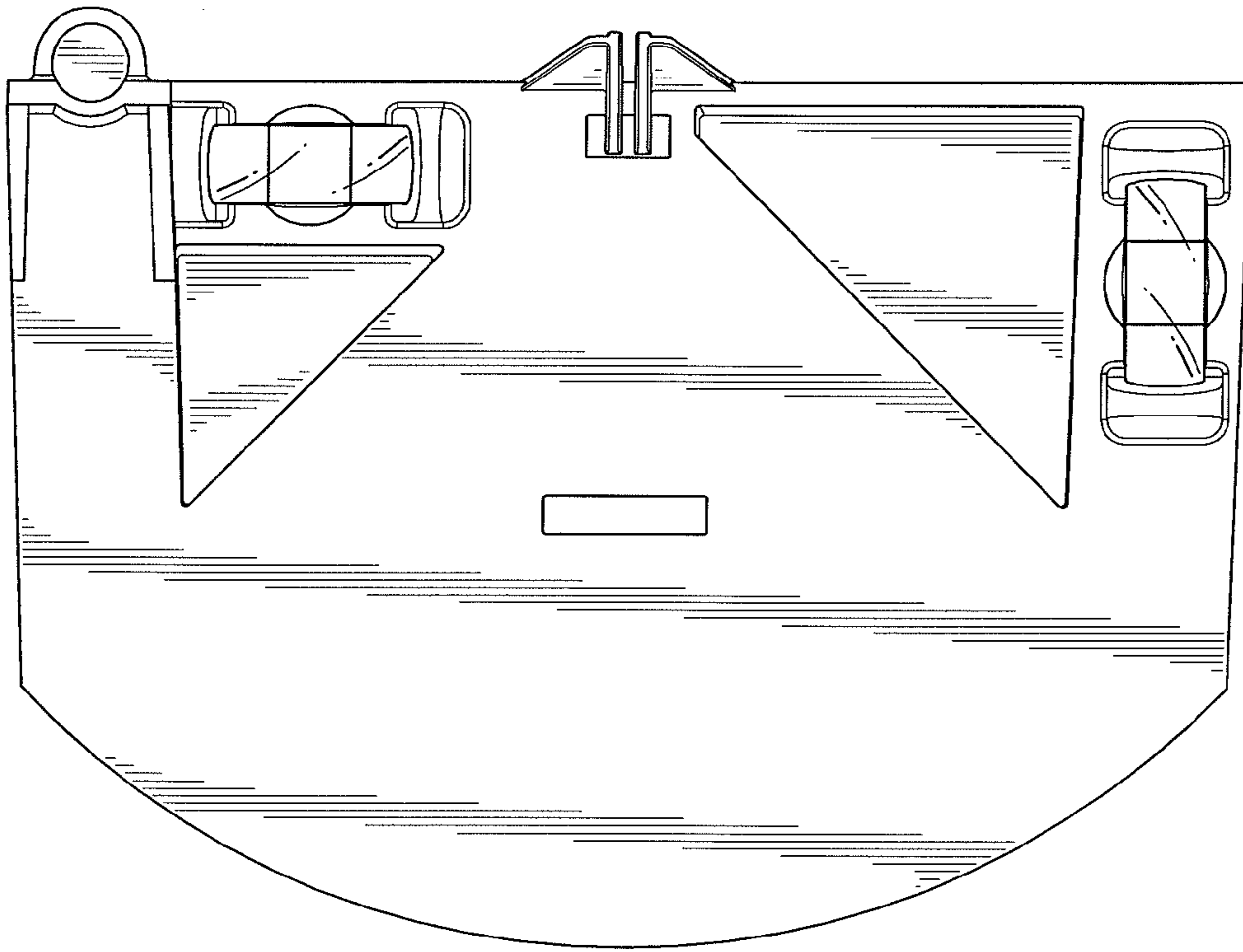


FIG. 2

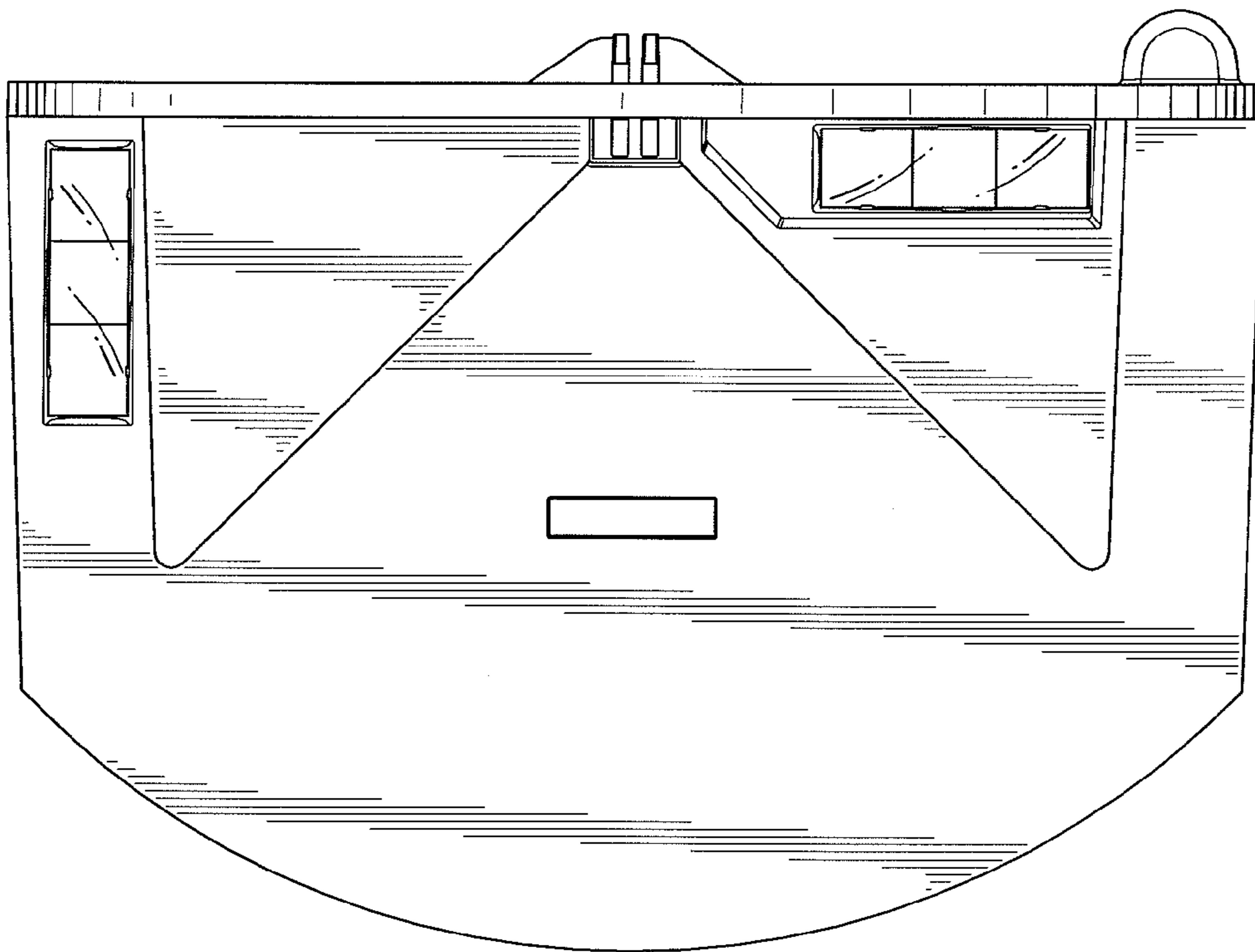


FIG. 3

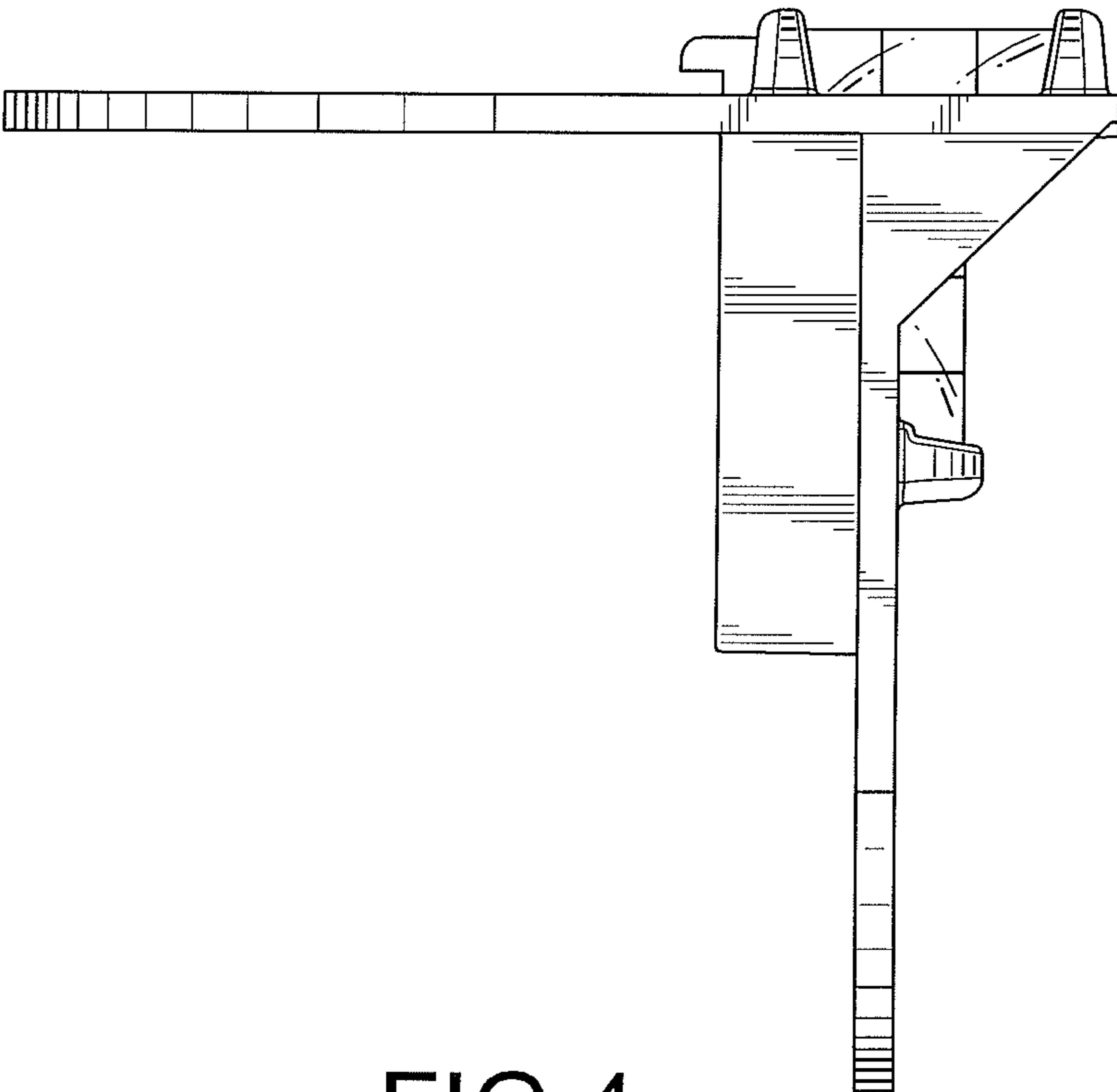


FIG.4

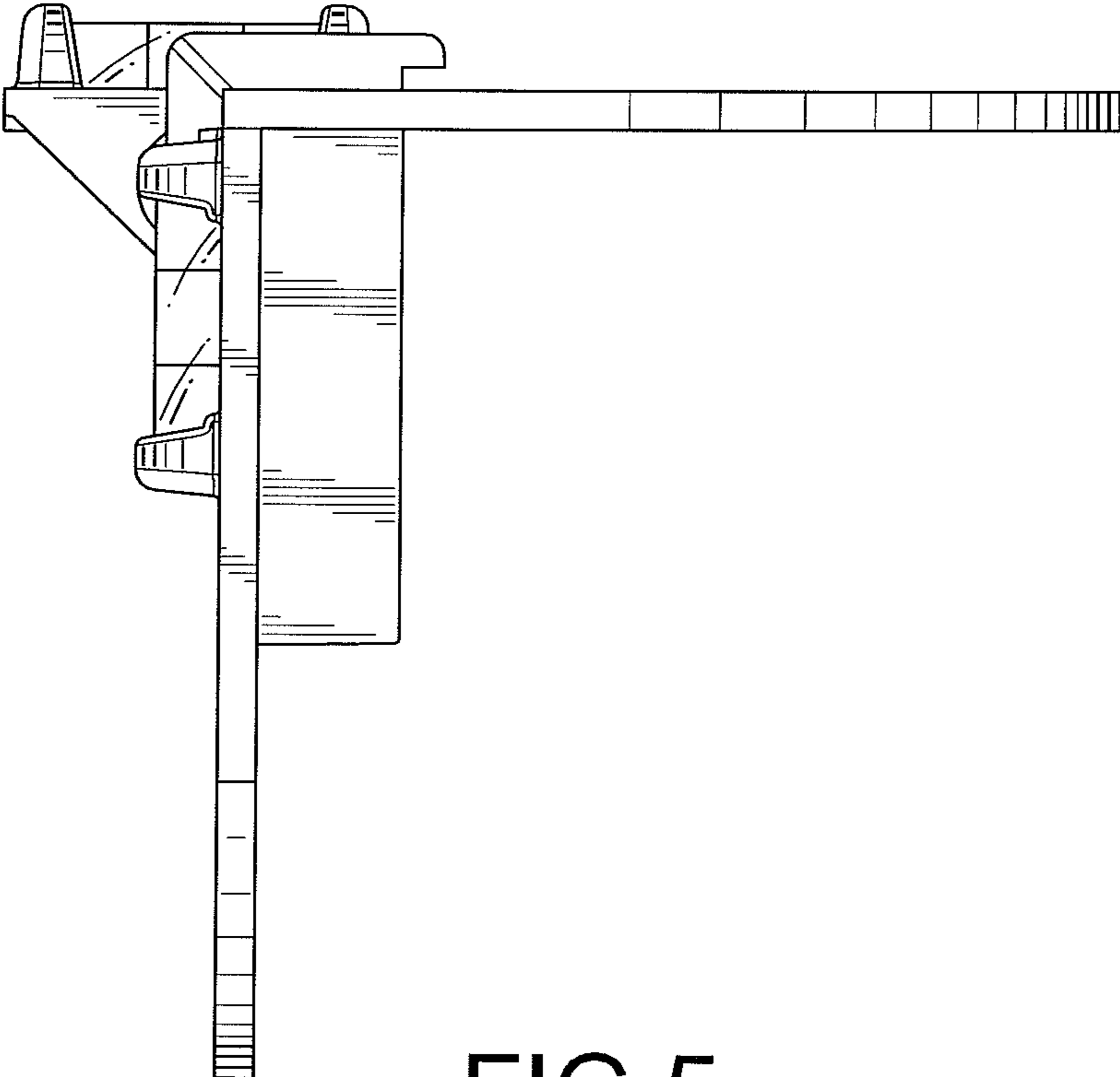


FIG.5

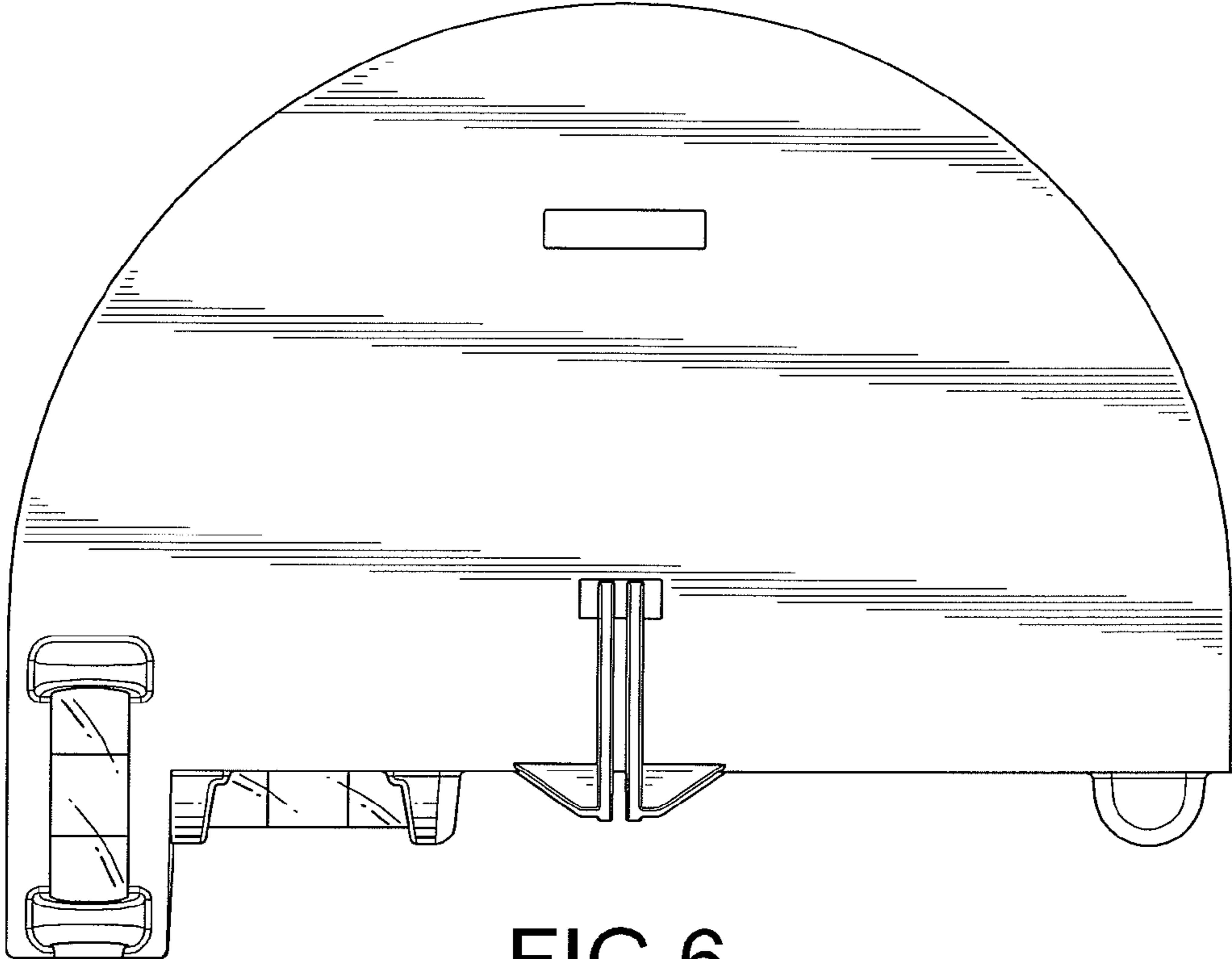


FIG. 6

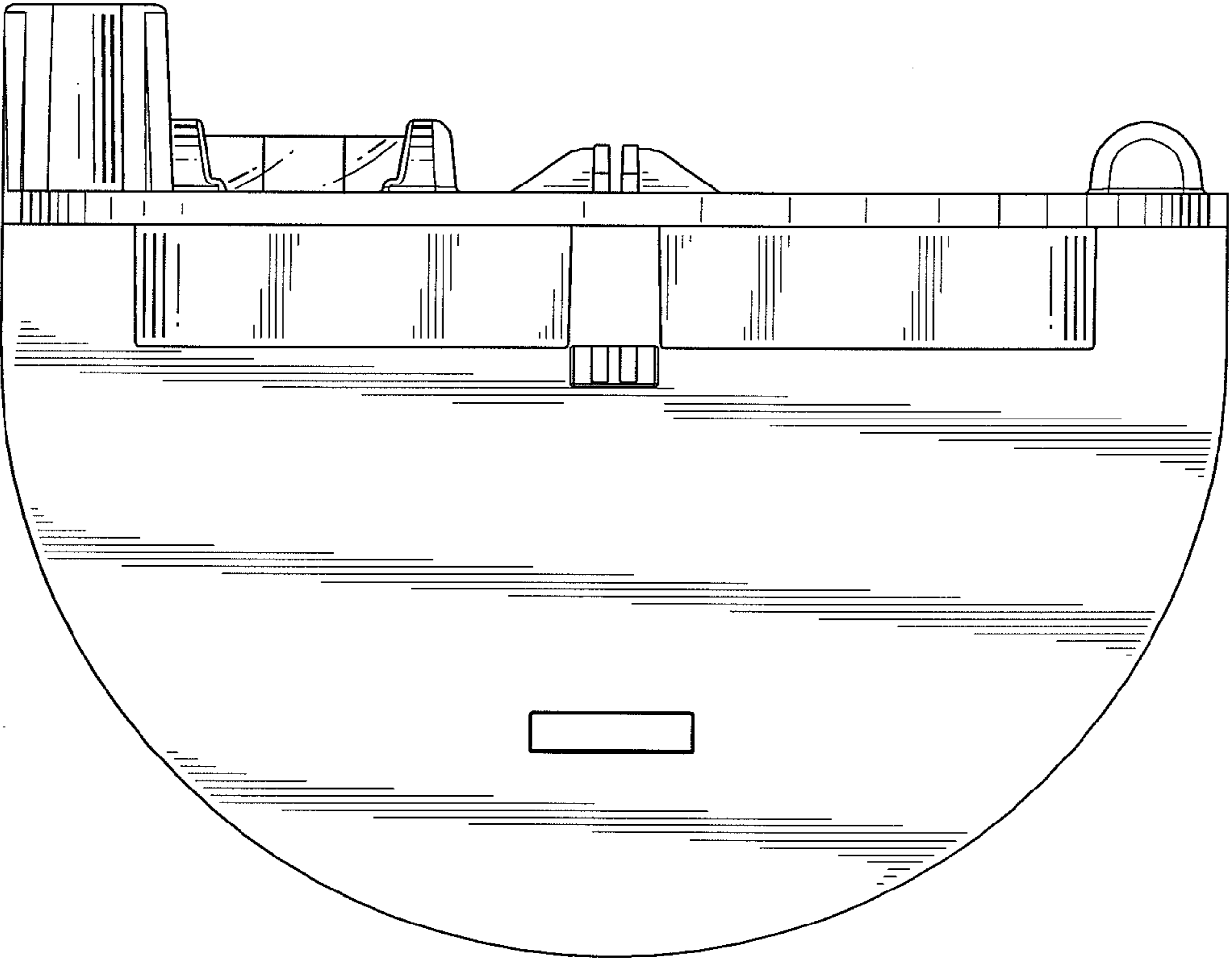


FIG. 7

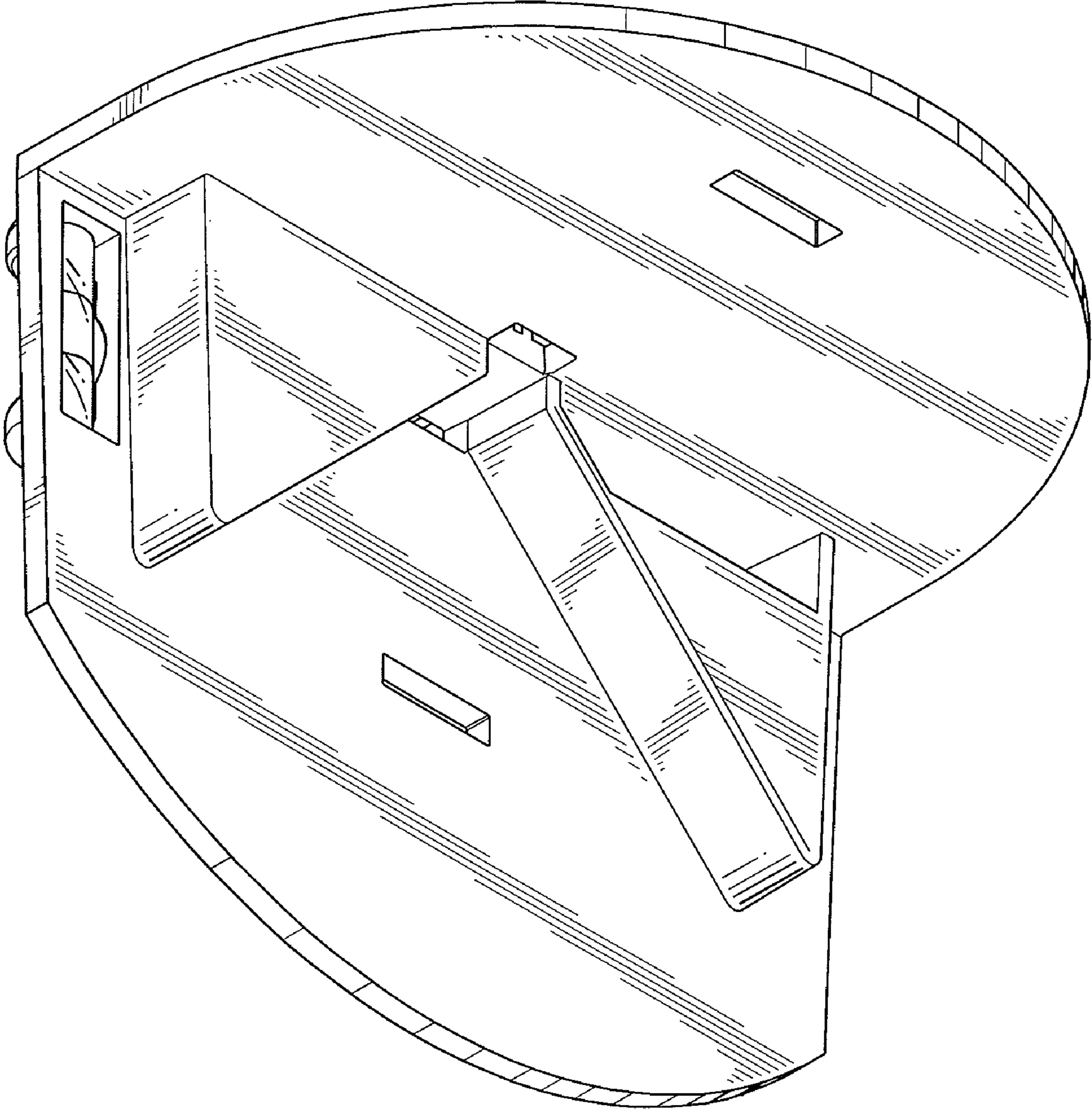


FIG.8

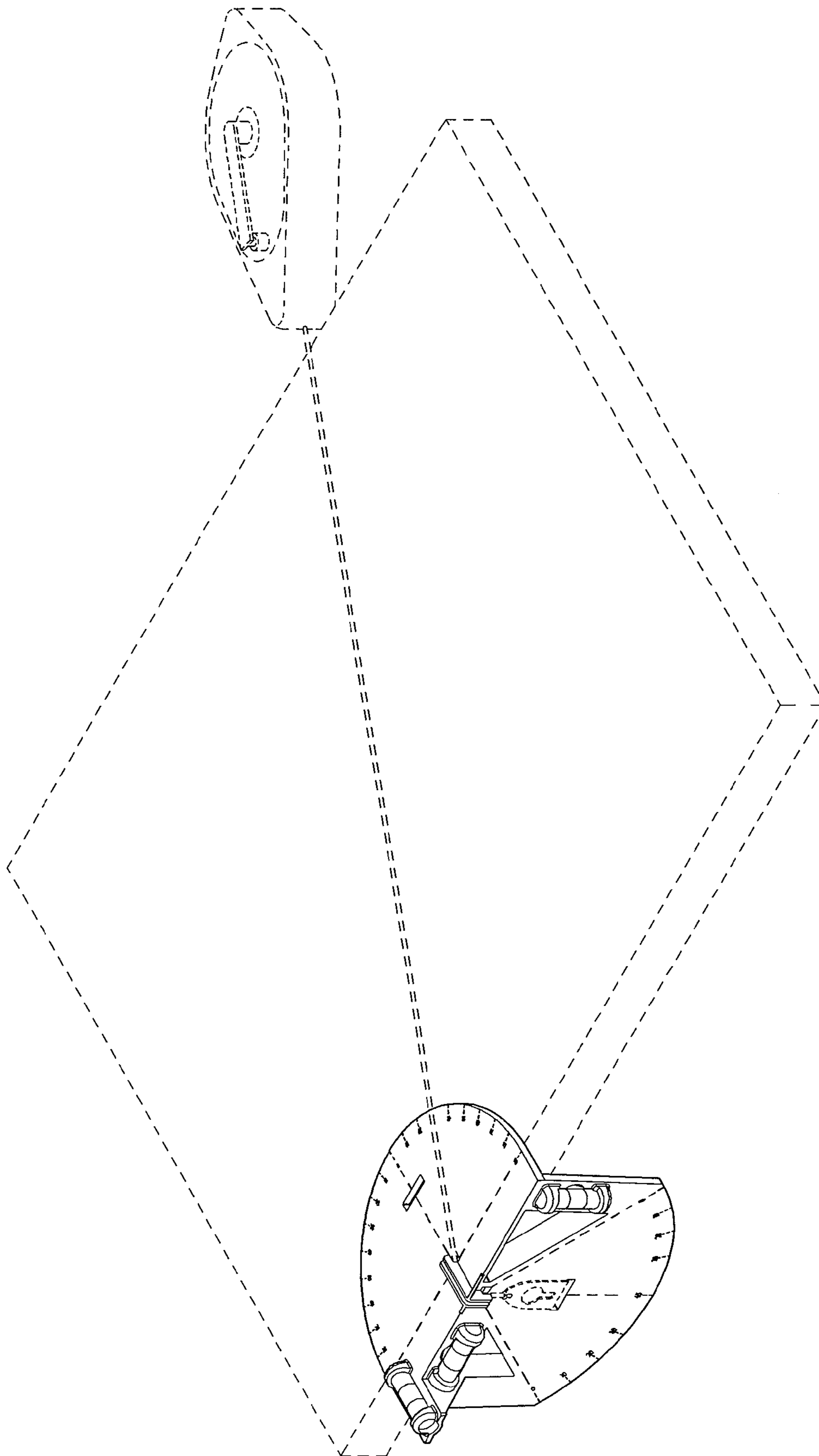


FIG. 9