



US00D610924S

(12) **United States Design Patent**
Duport et al.

(10) **Patent No.:** **US D610,924 S**

(45) **Date of Patent:** **** Mar. 2, 2010**

(54) **WATCH CASE**

(75) Inventors: **Fabrice Duport**, Peseux (CH);
Fernando Soares, Le Landeron (CH)

(73) Assignee: **Tiffany Watch Co. Ltd.**, Biel/Bienne
(CH)

(**) Term: **14 Years**

(21) Appl. No.: **29/343,731**

(22) Filed: **Sep. 18, 2009**

(30) **Foreign Application Priority Data**

Mar. 18, 2009 (WO) PCT/DM/071484

(51) **LOC (9) Cl.** **10-02**

(52) **U.S. Cl.** **D10/39**

(58) **Field of Classification Search** D10/30-39,
D10/122-132; 368/276, 281, 282, 285, 223,
368/80, 232, 228

See application file for complete search history.

(56) **References Cited**

U.S. PATENT DOCUMENTS

2,446,065	A	*	7/1948	Starke	368/282
3,269,108	A	*	8/1966	Mottironi	368/281
D356,041	S	*	3/1995	Bulgari	D10/39
D420,600	S	*	2/2000	Gruosi-Scheufele	D10/39
D432,438	S	*	10/2000	Lassigne	D10/32
D440,887	S	*	4/2001	Tripet	D10/32
D441,306	S	*	5/2001	Buccellati	D10/32

D506,935	S	*	7/2005	Dreyfuss	D10/32
D507,975	S	*	8/2005	Dreyfuss	D10/32
D508,421	S	*	8/2005	Diltoer	D10/39
D514,457	S	*	2/2006	Diltoer	D10/39
D519,853	S	*	5/2006	Sirmakes	D10/32
D532,318	S	*	11/2006	Bedat	D10/32
D539,671	S	*	4/2007	Lassigne	D10/32
D547,210	S	*	7/2007	Gruosi-Scheufele	D10/39
D588,945	S	*	3/2009	Arabo	D10/39

* cited by examiner

Primary Examiner—Lucy Lieberman

(74) *Attorney, Agent, or Firm*—Collen IP; Donald J. Ranft

(57) **CLAIM**

The ornamental design for a watch case, as shown and described.

DESCRIPTION

FIG. 1 is a front view of my new, original and ornamental design for a watch case;

FIG. 2 is a rear view thereof;

FIG. 3 is a top view thereof;

FIG. 4 is a bottom view thereof;

FIG. 5 is a right side view thereof;

FIG. 6 is a left side view thereof;

FIG. 7 is a front perspective view thereof; and,

FIG. 8 is a rear perspective view thereof.

1 Claim, 3 Drawing Sheets

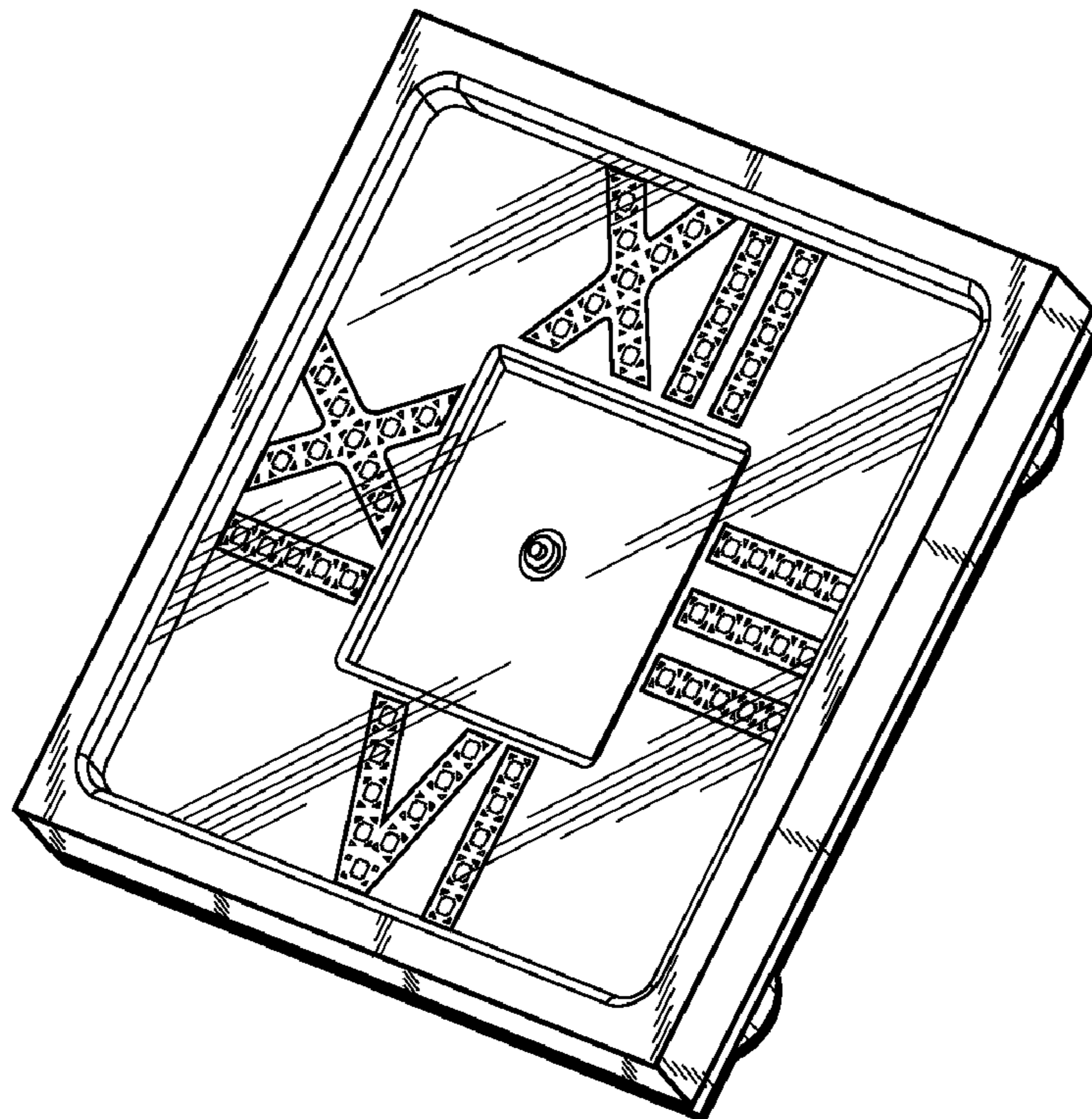


Fig. 1

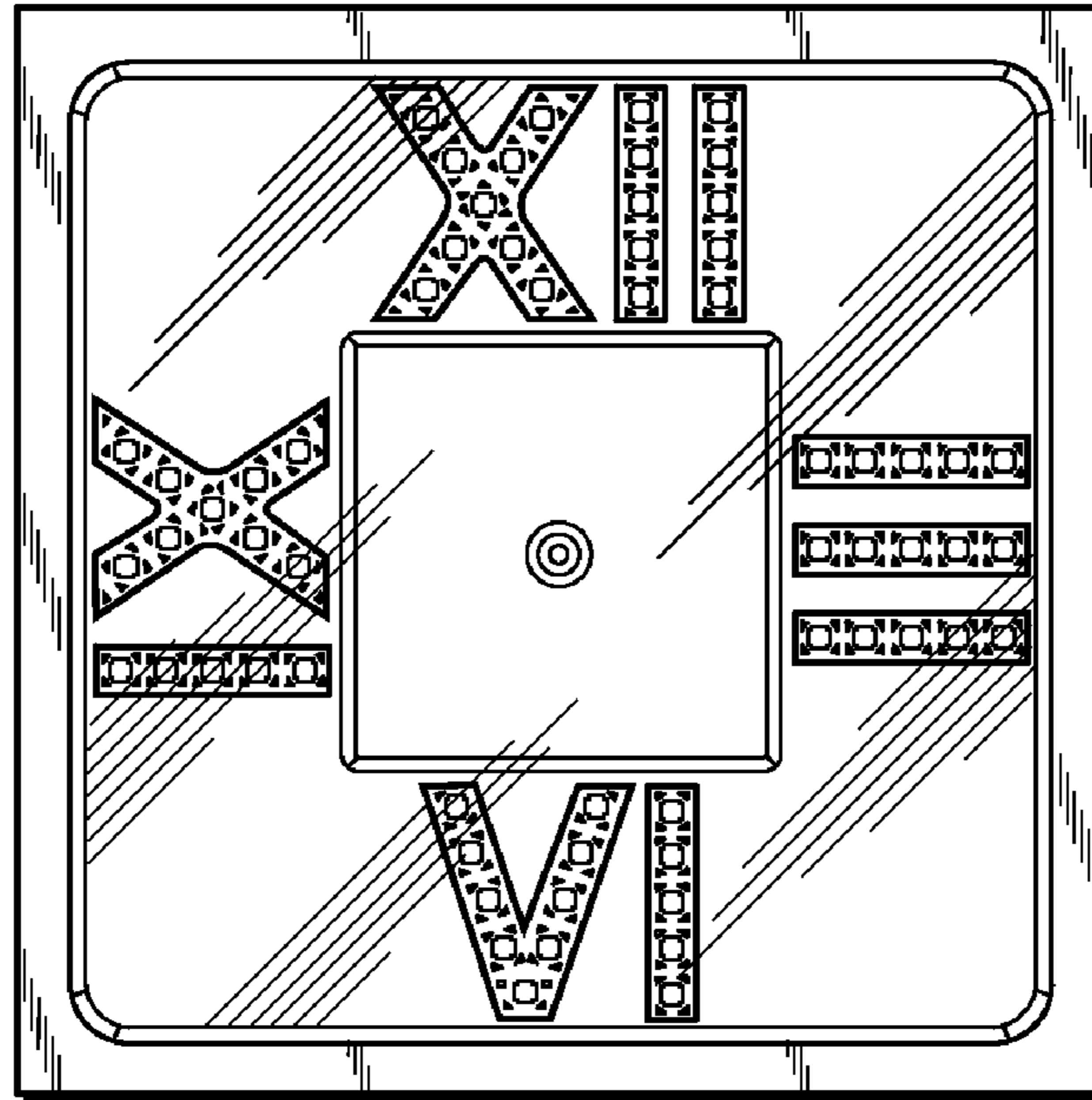


Fig. 2

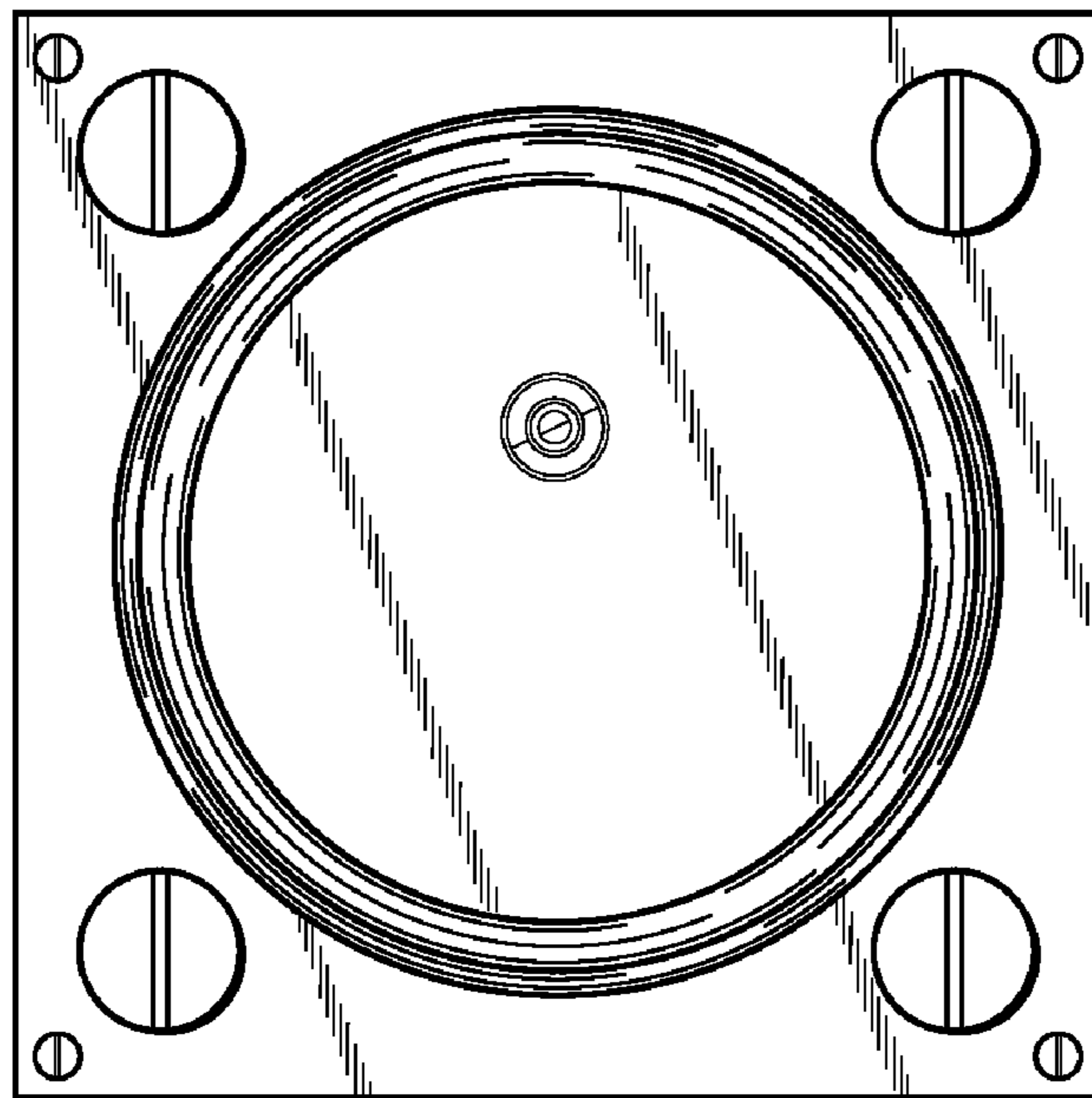


Fig. 3

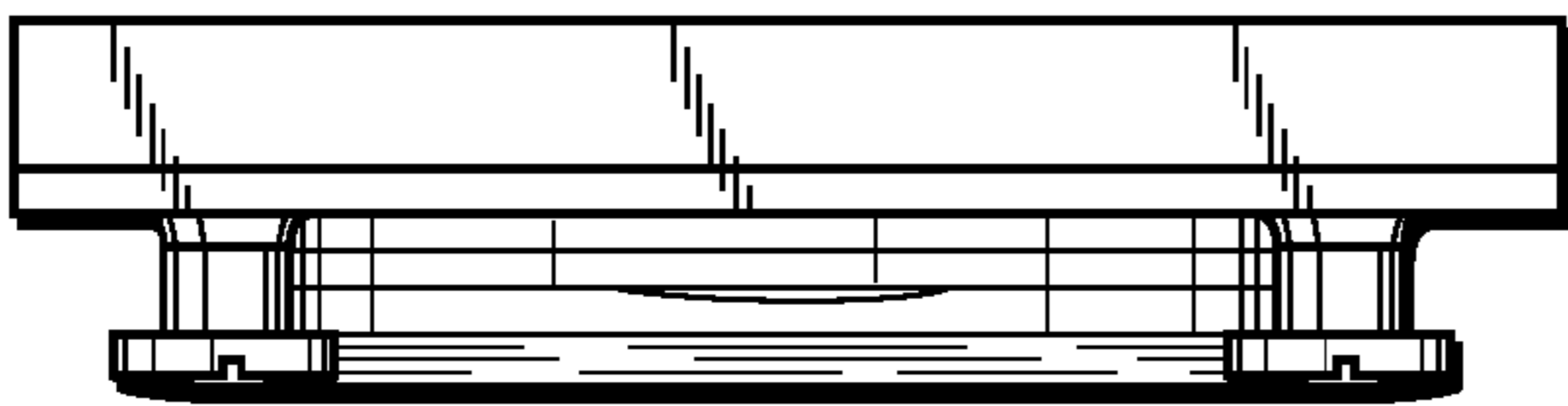


Fig. 4

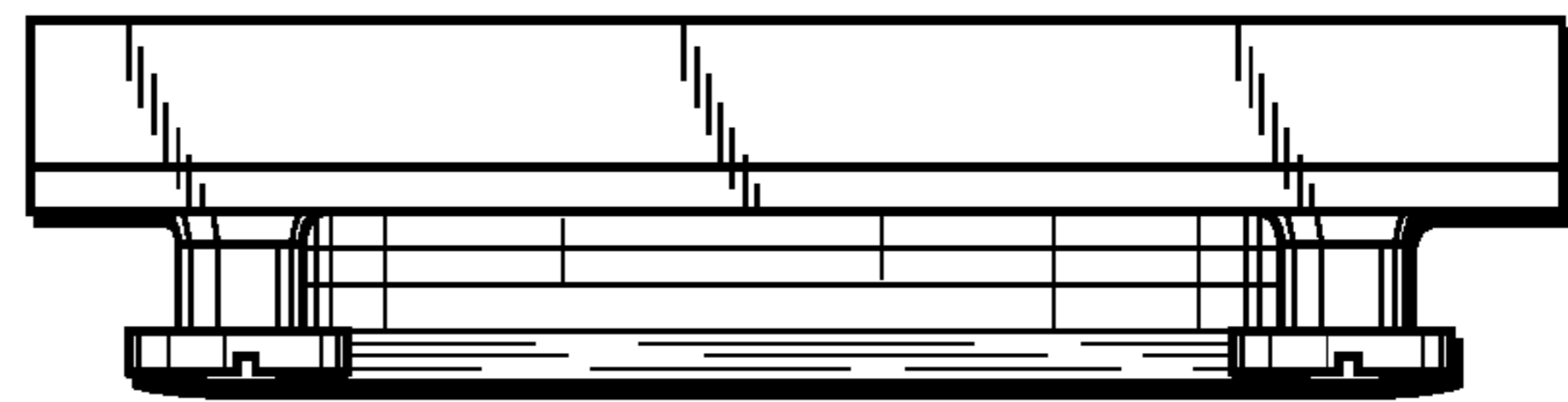


Fig. 5

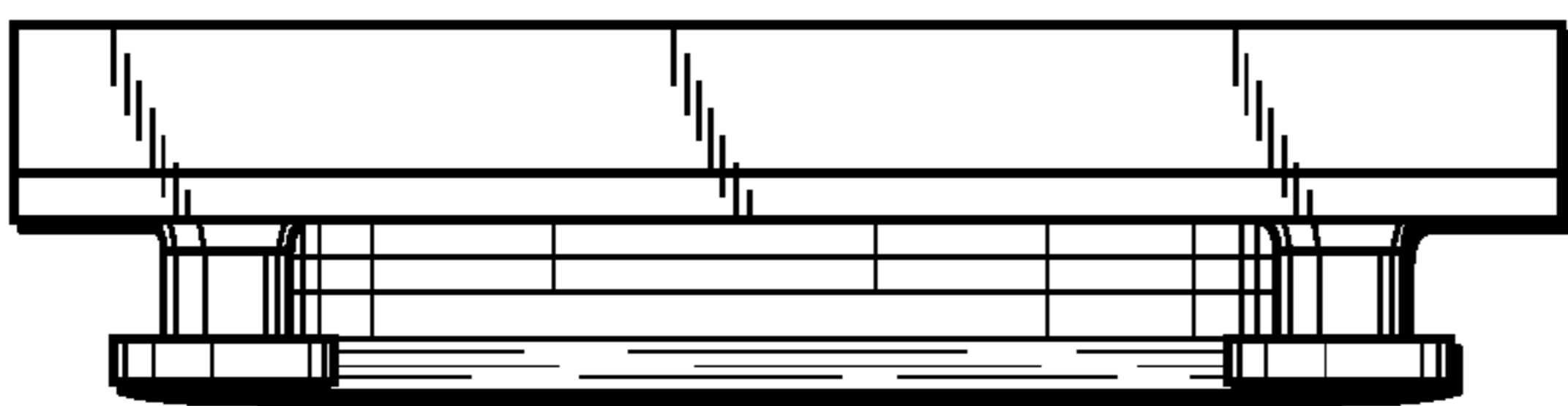


Fig. 6

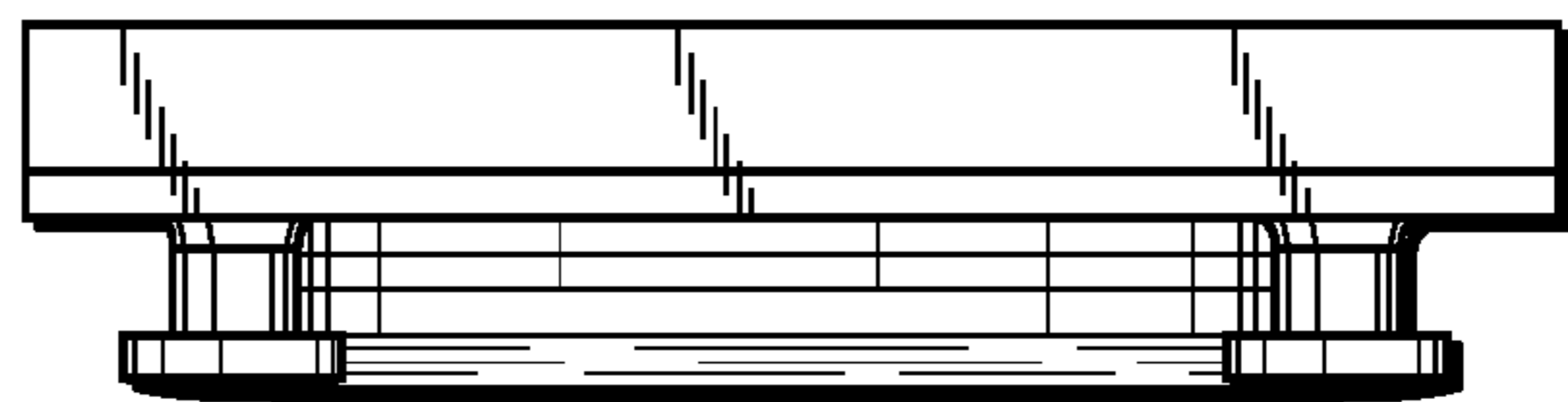


Fig. 7

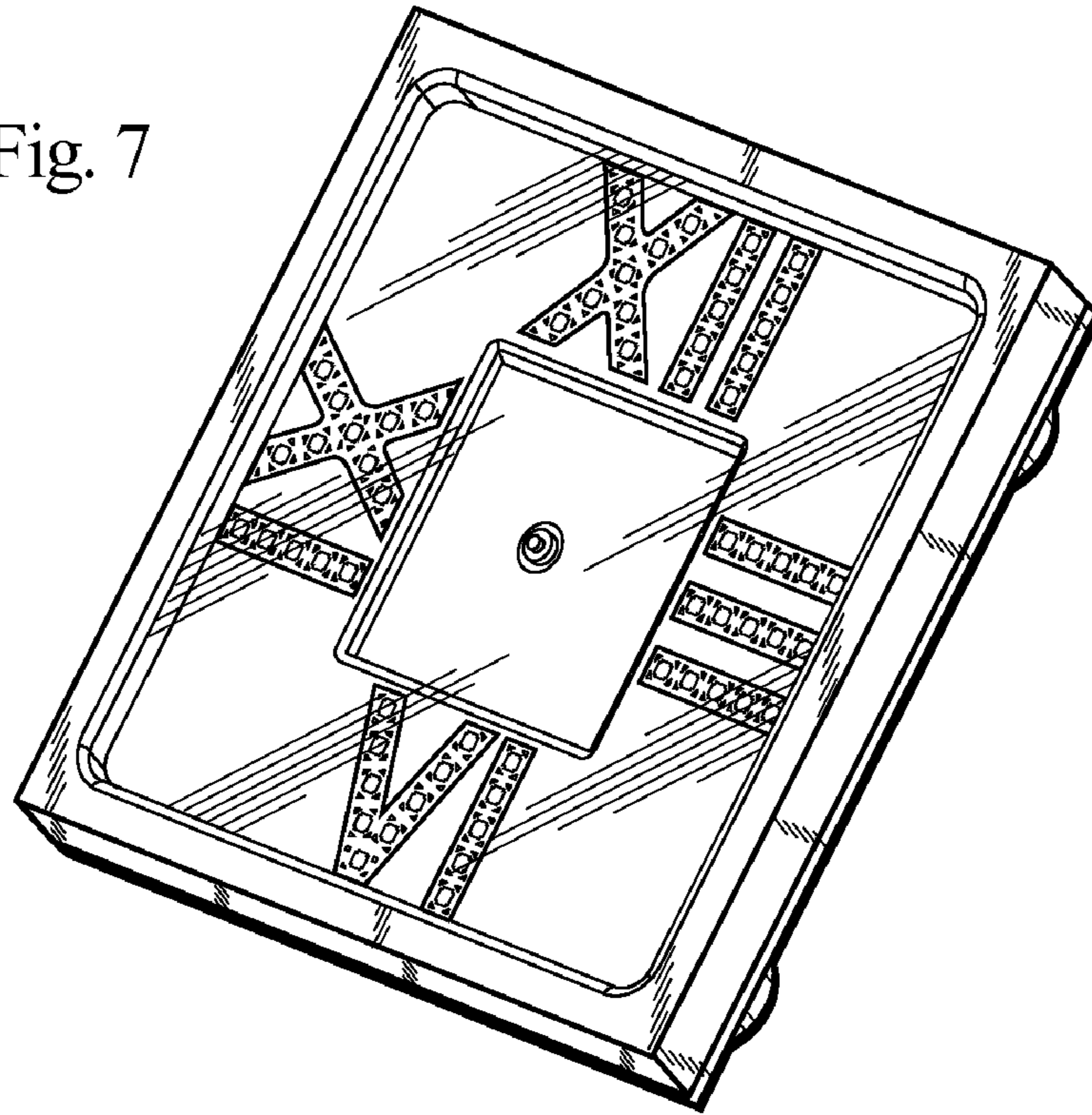


Fig. 8

