



US00D610923S

(12) **United States Design Patent**
Duport et al.

(10) **Patent No.:** **US D610,923 S**
(45) **Date of Patent:** **** Mar. 2, 2010**

(54) **WATCH CASE**

(75) Inventors: **Fabrice Duport**, Peseux (CH);
Fernando Soares, Le Landeron (CH)

(73) Assignee: **Tiffany Watch Co. Ltd.**, Biel/Bienne
(CH)

(**) Term: **14 Years**

(21) Appl. No.: **29/343,730**

(22) Filed: **Sep. 18, 2009**

(30) **Foreign Application Priority Data**

Mar. 18, 2009 (WO) PCT/DM/071484

(51) **LOC (9) Cl.** **10-02**

(52) **U.S. Cl.** **D10/38**

(58) **Field of Classification Search** D10/30-39,
D10/122-132; 368/276, 281, 282, 285, 223,
368/80, 232, 228

See application file for complete search history.

(56) **References Cited**

U.S. PATENT DOCUMENTS

D122,218 S * 8/1940 Markle D11/74
D297,125 S * 8/1988 Grinberg D10/39
D323,992 S * 2/1992 Coveri D10/32
D370,859 S * 6/1996 Scheufele D10/39
D421,922 S * 3/2000 Wunderman D10/39
D441,306 S * 5/2001 Buccellati D10/32

D456,726 S * 5/2002 Finazzi D10/39
D509,446 S * 9/2005 Wunderman D10/32
D509,449 S * 9/2005 Scheufele D10/39
D526,218 S * 8/2006 Krieger D10/39
D537,741 S * 3/2007 Gruosi-Scheufele D10/39
D546,715 S * 7/2007 Gruosi-Scheufele D10/39
D547,211 S * 7/2007 Dias D10/39
D580,278 S * 11/2008 Hegi D10/32
D586,240 S * 2/2009 Reginelli D10/32
D591,176 S * 4/2009 Monachon D10/32

* cited by examiner

Primary Examiner—Lucy Lieberman

(74) *Attorney, Agent, or Firm*—Collen IP; Donald J. Ranft

(57) **CLAIM**

The ornamental design for a watch case, as shown and described.

DESCRIPTION

FIG. 1 is a front view of my new, original and ornamental design for a watch case;

FIG. 2 is a rear view thereof;

FIG. 3 is a right side view thereof;

FIG. 4 is a left side view thereof;

FIG. 5 is a bottom view thereof;

FIG. 6 is a top view thereof; and,

FIG. 7 is a front perspective view thereof.

1 Claim, 4 Drawing Sheets

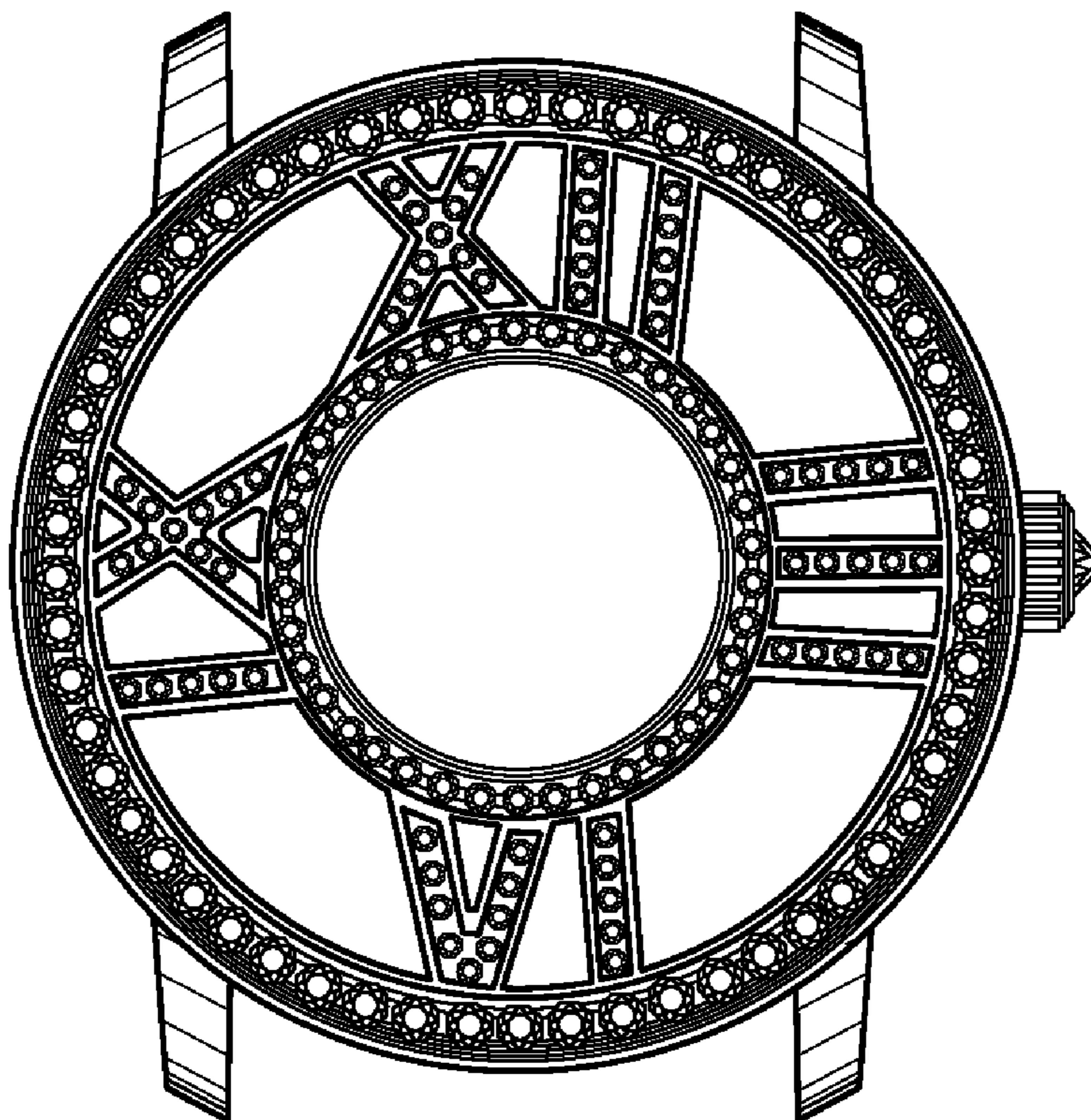


Fig. 1

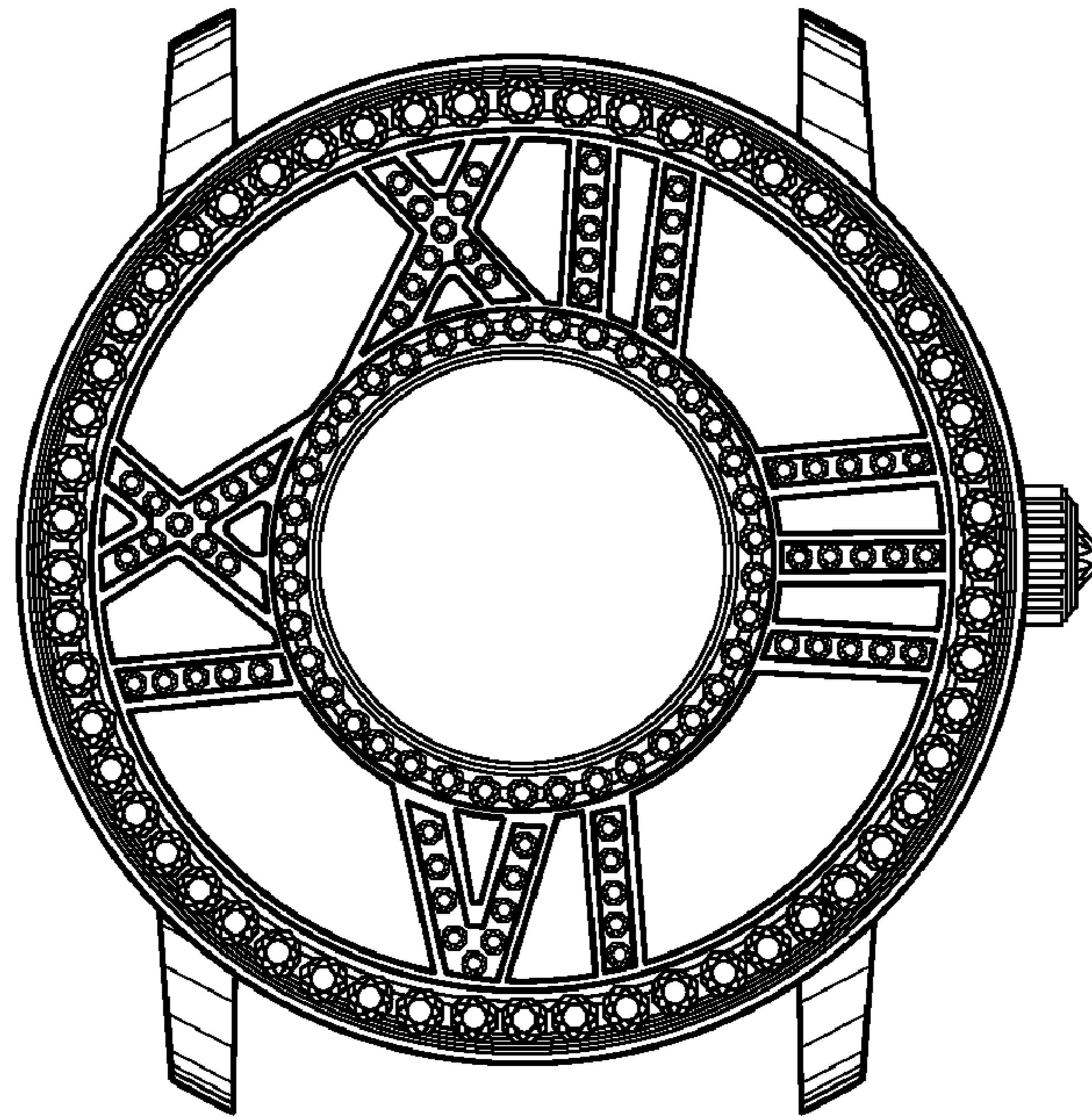


Fig. 2

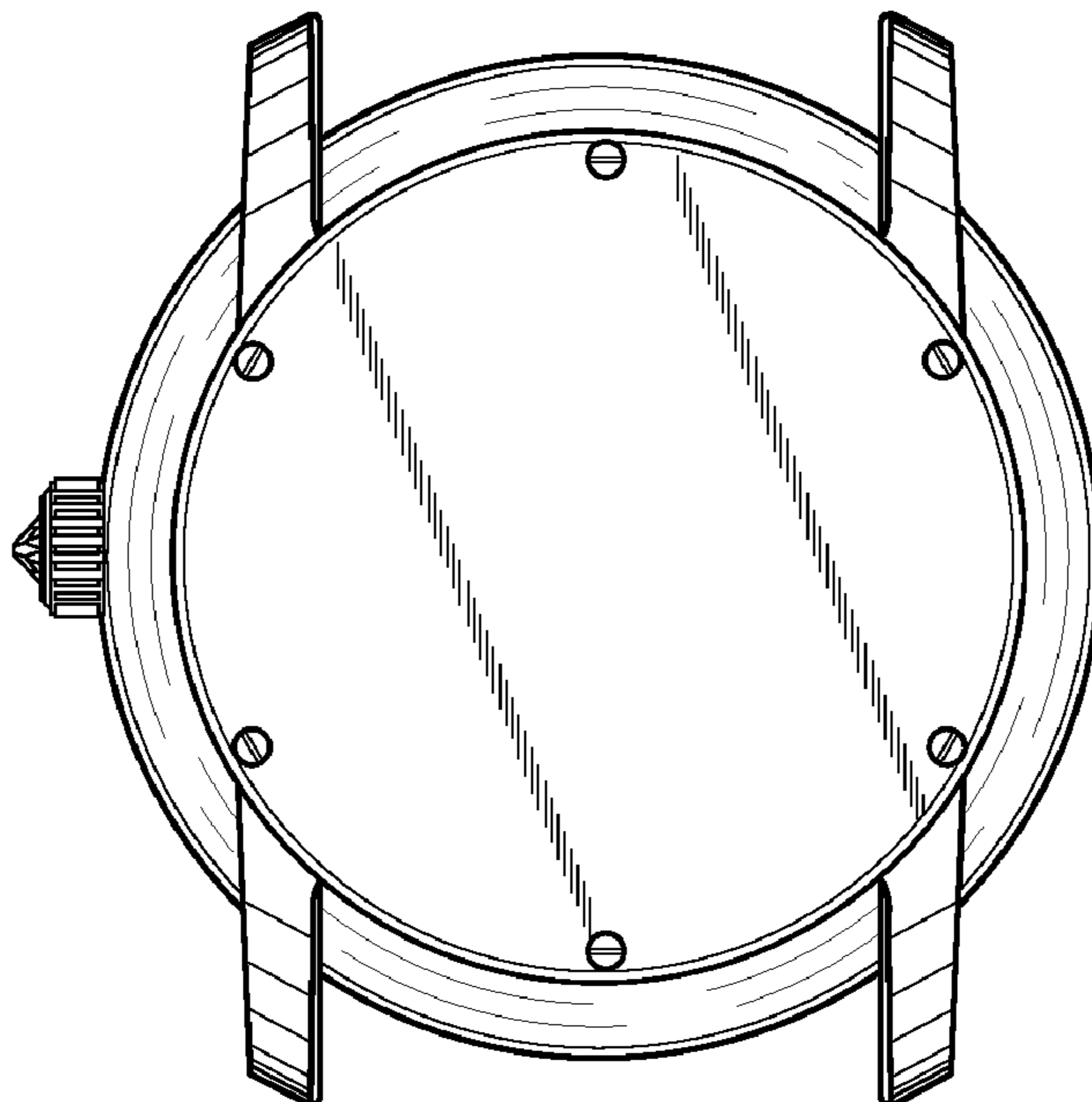


Fig. 3

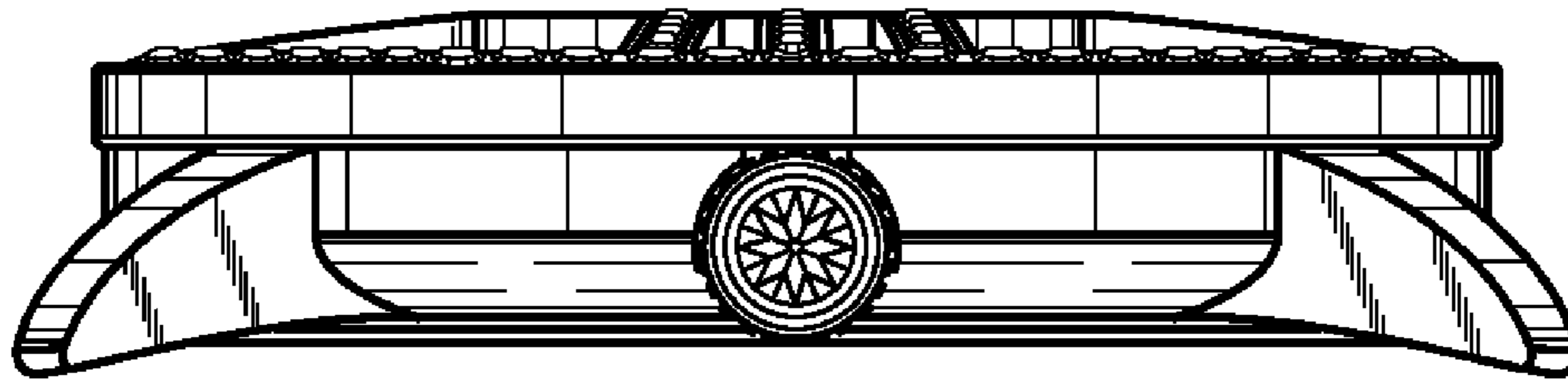


Fig. 4

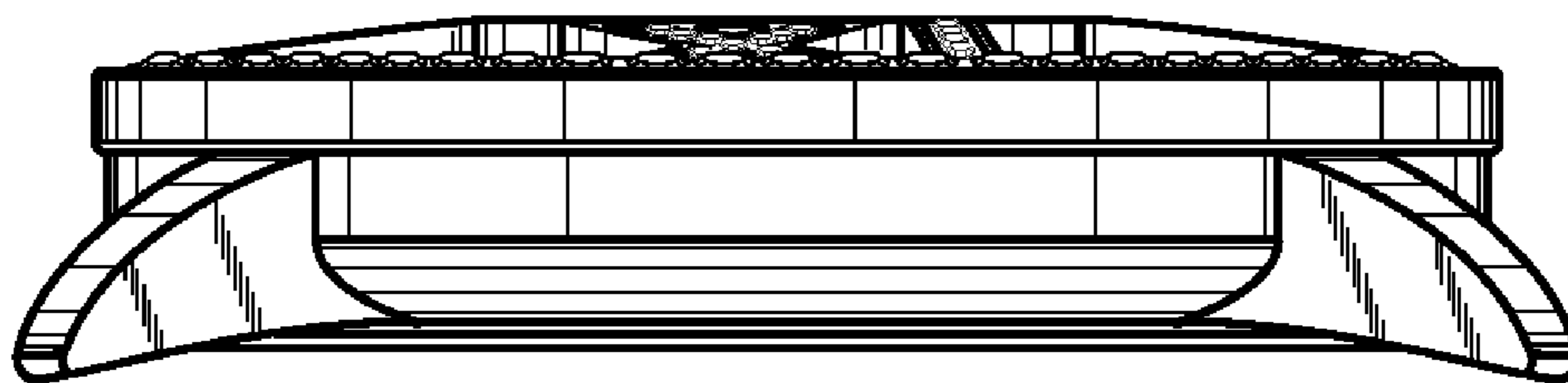


Fig. 5

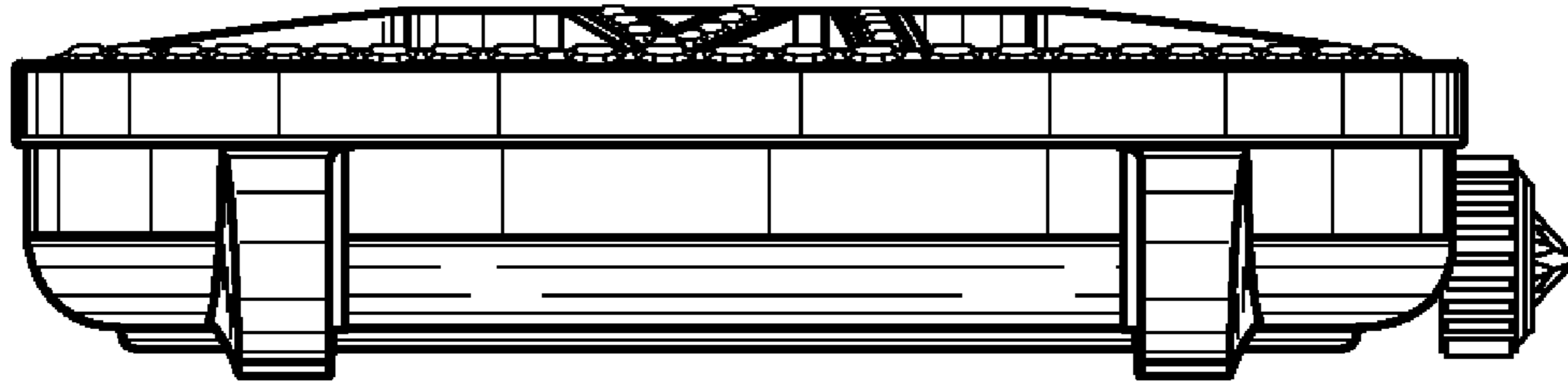


Fig. 6

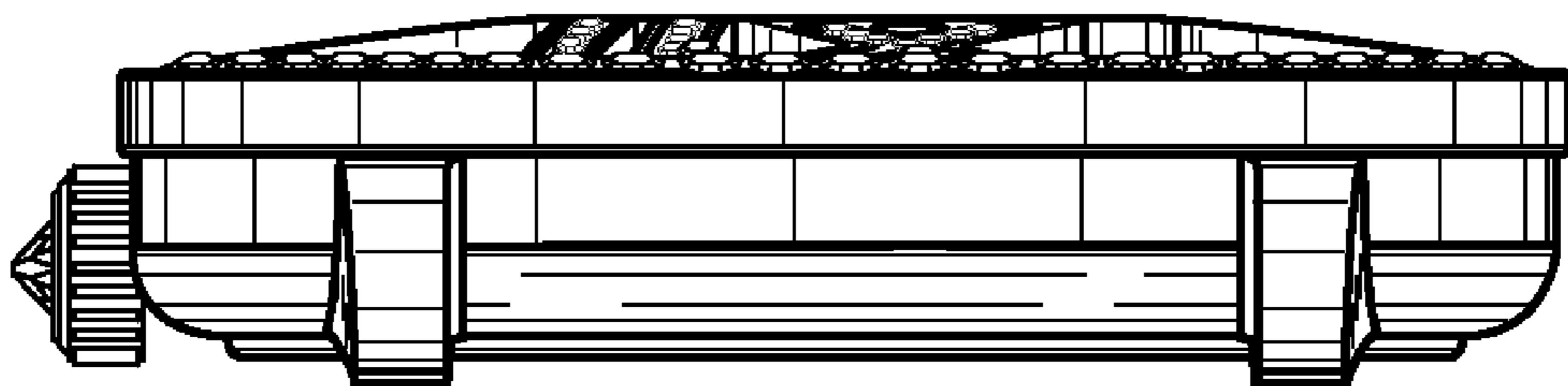


Fig. 7

