



US00D610922S

(12) **United States Design Patent**
Lammers-Meis et al.

(10) **Patent No.:** **US D610,922 S**
(45) **Date of Patent:** **** Mar. 2, 2010**

(54) **WATCH DEVICE**

(75) Inventors: **David F. Lammers-Meis**, Olathe, KS
(US); **Paul E. Skelton**, Lenexa, KS
(US); **Peter J. Henne**, Overland Park,
KS (US); **Brian M. Sandefur**,
Lawrence, KS (US)

(73) Assignee: **Garmin Ltd.** (KY)

(**) Term: **14 Years**

(21) Appl. No.: **29/338,399**

(22) Filed: **Jun. 10, 2009**

Related U.S. Application Data

(63) Continuation of application No. 29/299,704, filed on
Jan. 2, 2008, now abandoned.

(51) **LOC (9) Cl.** **10-02**

(52) **U.S. Cl.** **D10/32; D10/31**

(58) **Field of Classification Search** **D10/30-39;**
D11/3; 368/276, 281, 282, 285, 223, 239-242,
368/82-84, 10; D24/165, 167; 600/503
See application file for complete search history.

(56) **References Cited**

U.S. PATENT DOCUMENTS

- D331,021 S * 11/1992 Ishii et al. D10/31
- 5,453,960 A 9/1995 Teres et al. 368/69
- D366,425 S * 1/1996 Hirose D10/31
- 5,735,800 A * 4/1998 Yasukawa et al. 600/503
- D394,394 S * 5/1998 Bruce et al. D10/30
- D394,395 S * 5/1998 Bruce et al. D10/30
- 5,766,131 A * 6/1998 Kondo et al. 600/502
- D404,658 S * 1/1999 Hanagata D10/30
- D407,030 S * 3/1999 Toyoshima et al. D10/39
- D439,527 S * 3/2001 Kennedy D10/30
- D440,163 S * 4/2001 Callis D10/31
- D449,996 S * 11/2001 DiTullo et al. D10/30
- D450,849 S * 11/2001 Rantala D24/165
- D451,820 S * 12/2001 Sugisawa D10/30
- D452,005 S * 12/2001 Rantala D24/165

- D452,006 S * 12/2001 Komulainen D24/167
- D456,275 S * 4/2002 Blauner et al. D10/30
- D471,469 S * 3/2003 Vanderbeek et al. D10/30
- 6,556,222 B1 4/2003 Narayanaswami 345/786
- D486,075 S * 2/2004 Frank D10/38
- 6,868,046 B2 3/2005 Farine et al. 368/28
- D507,498 S * 7/2005 Hung D10/31
- 6,982,930 B1 * 1/2006 Hung 368/10

(Continued)

FOREIGN PATENT DOCUMENTS

KR 10-2001-0050157 3/2005

OTHER PUBLICATIONS

Nike Oregon Watches, published prior to Jan. 2007.

(Continued)

Primary Examiner—Lucy Lieberman
(74) *Attorney, Agent, or Firm*—Samuel M. Korte

(57) **CLAIM**

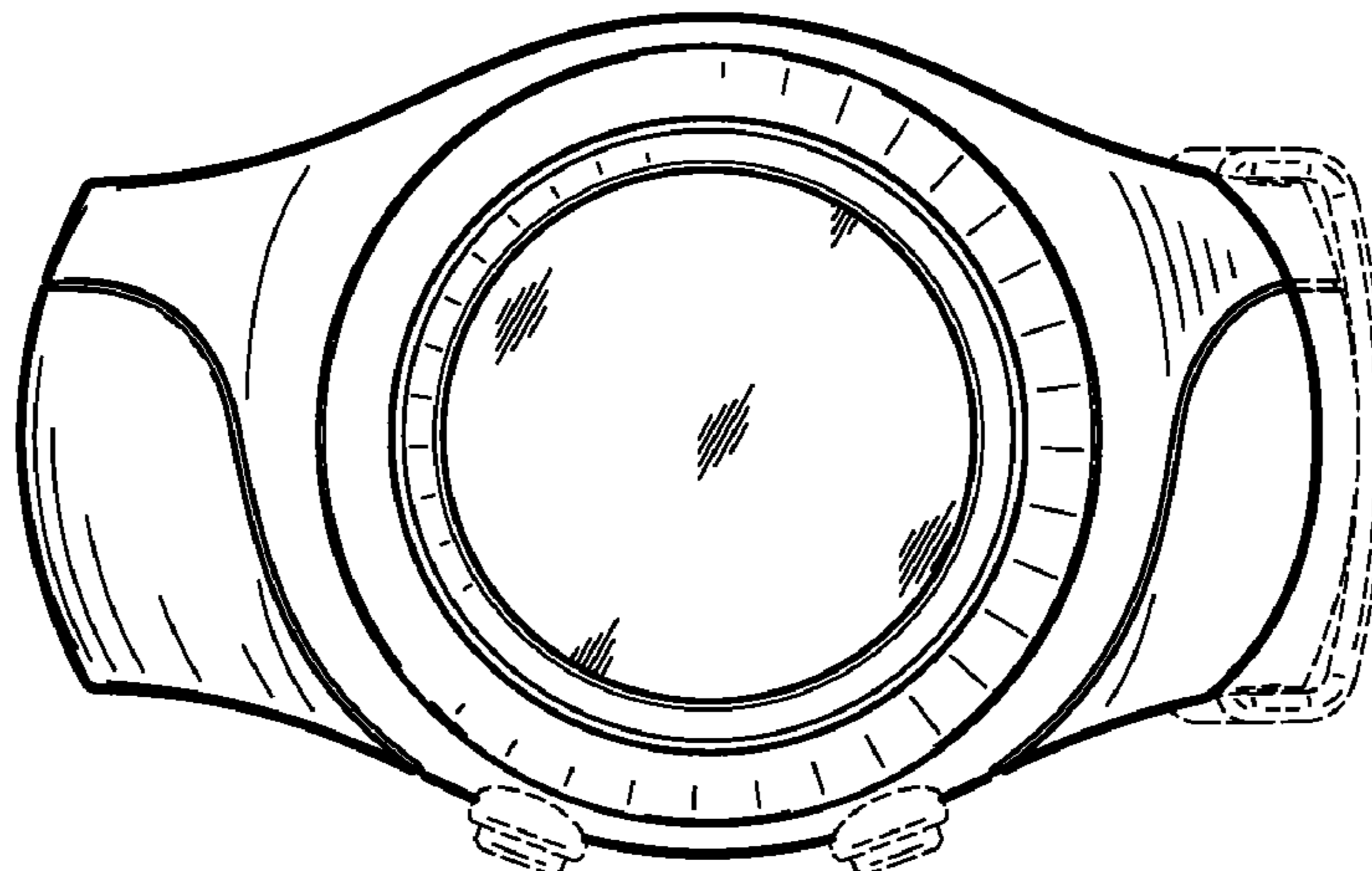
The ornamental design for a watch device, as shown and
described.

DESCRIPTION

FIG. 1 is a front, bottom and right side perspective view of a
watch device showing our new design;
FIG. 2 is a top, front and left side perspective view thereof
FIG. 3 is a front elevation thereof;
FIG. 4 is a right side elevation thereof;
FIG. 5 is a left side elevation thereof;
FIG. 6 is a rear elevation thereof;
FIG. 7 is a bottom view thereof; and,
FIG. 8 is a top view thereof.

Portions of FIGS. 1 through 8 are shown in dashed lines for
illustrative purposes only and form no part of the claimed
design.

1 Claim, 4 Drawing Sheets



US D610,922 S

Page 2

U.S. PATENT DOCUMENTS

D540,695 S * 4/2007 Leung D10/31
D547,679 S * 7/2007 Juhng et al. D10/38
7,314,450 B2 * 1/2008 Iwamiya et al. 600/503
7,341,561 B2 * 3/2008 Tanaka et al. 600/503
7,372,778 B2 * 5/2008 Klopfenstein et al. 368/10

OTHER PUBLICATIONS

Phillipe Starck O-Ring Watch, published Mar. 2007.

Suunto T6 Wristop Personal Trainer with Heart Rate Monitor, <http://www.amazon.com/Suunto-T6-Wristop-Personal-Trainer/dp/B0002T67JC> published prior to Jan. 2, 2008.

Suunto T4 Heart Rate Monitor and Fitness Trainer Watch, [http://www.amazon.com/Suunto-Heart-Monitor-Fitness-Trainer/dp/B000H1GBMI/ref-32 pd_sbs_sg_njs_5](http://www.amazon.com/Suunto-Heart-Monitor-Fitness-Trainer/dp/B000H1GBMI/ref-32_pd_sbs_sg_njs_5) published prior Jan. 2, 2008.

* cited by examiner

Fig. 1

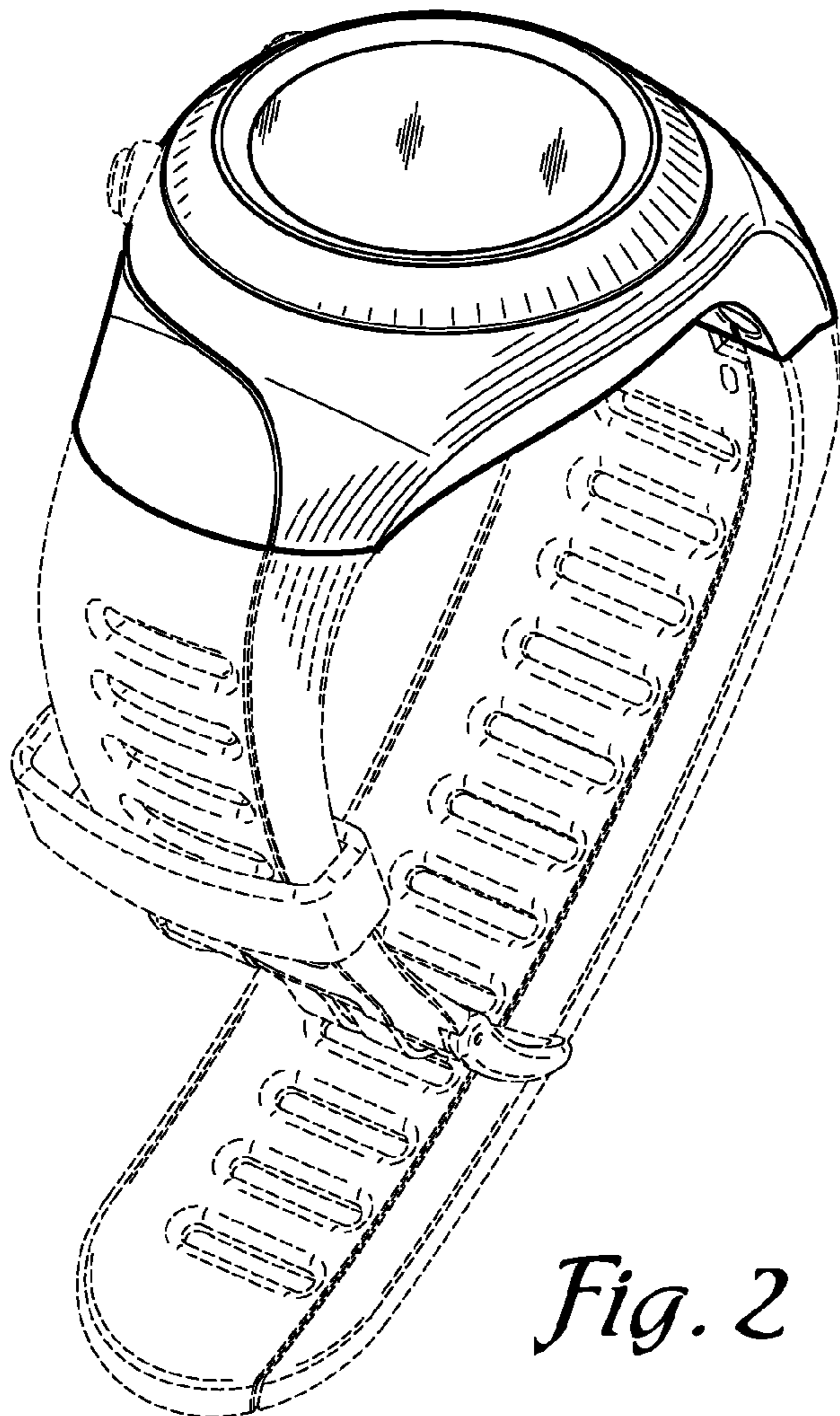
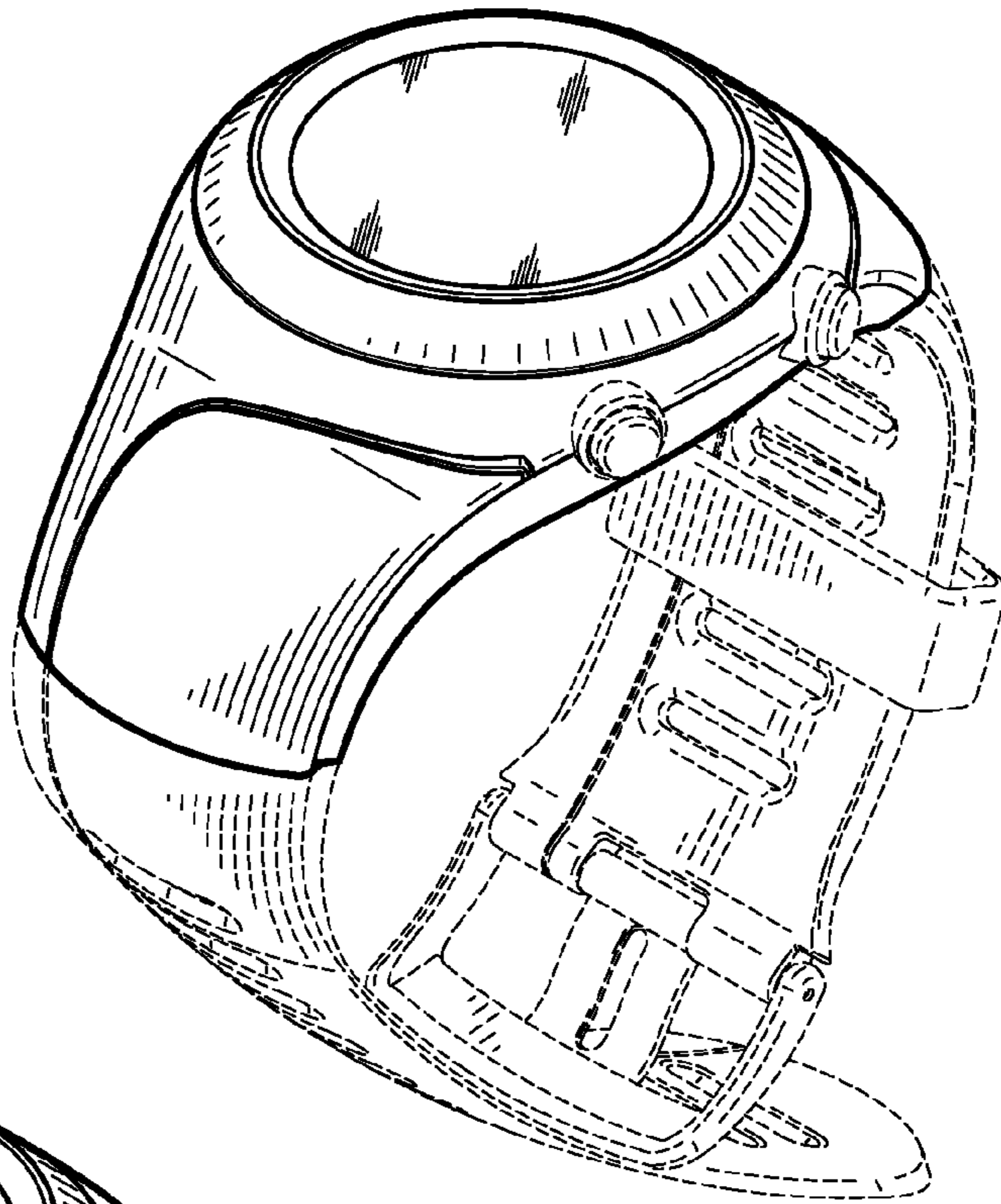


Fig. 2

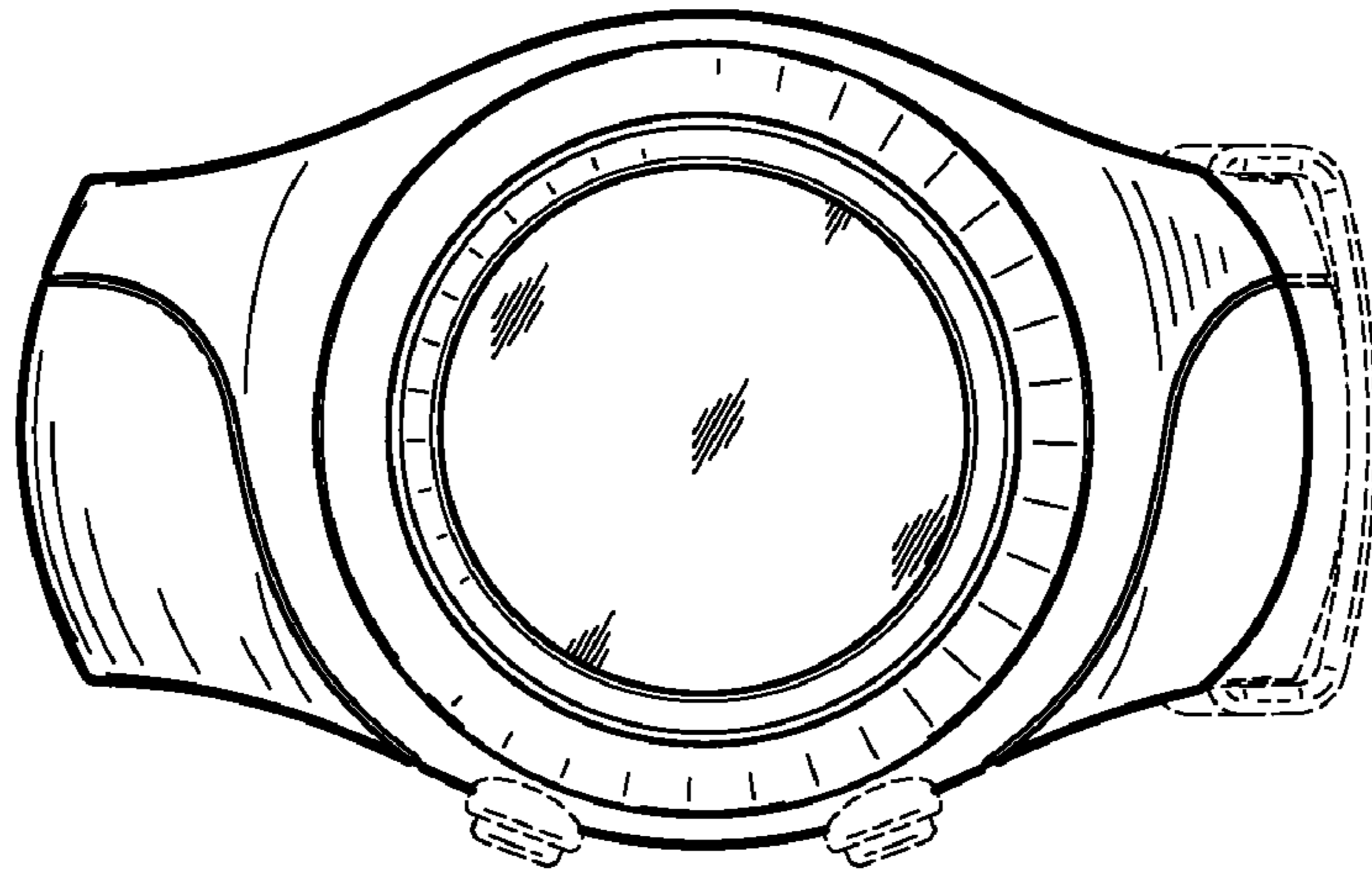


Fig. 3

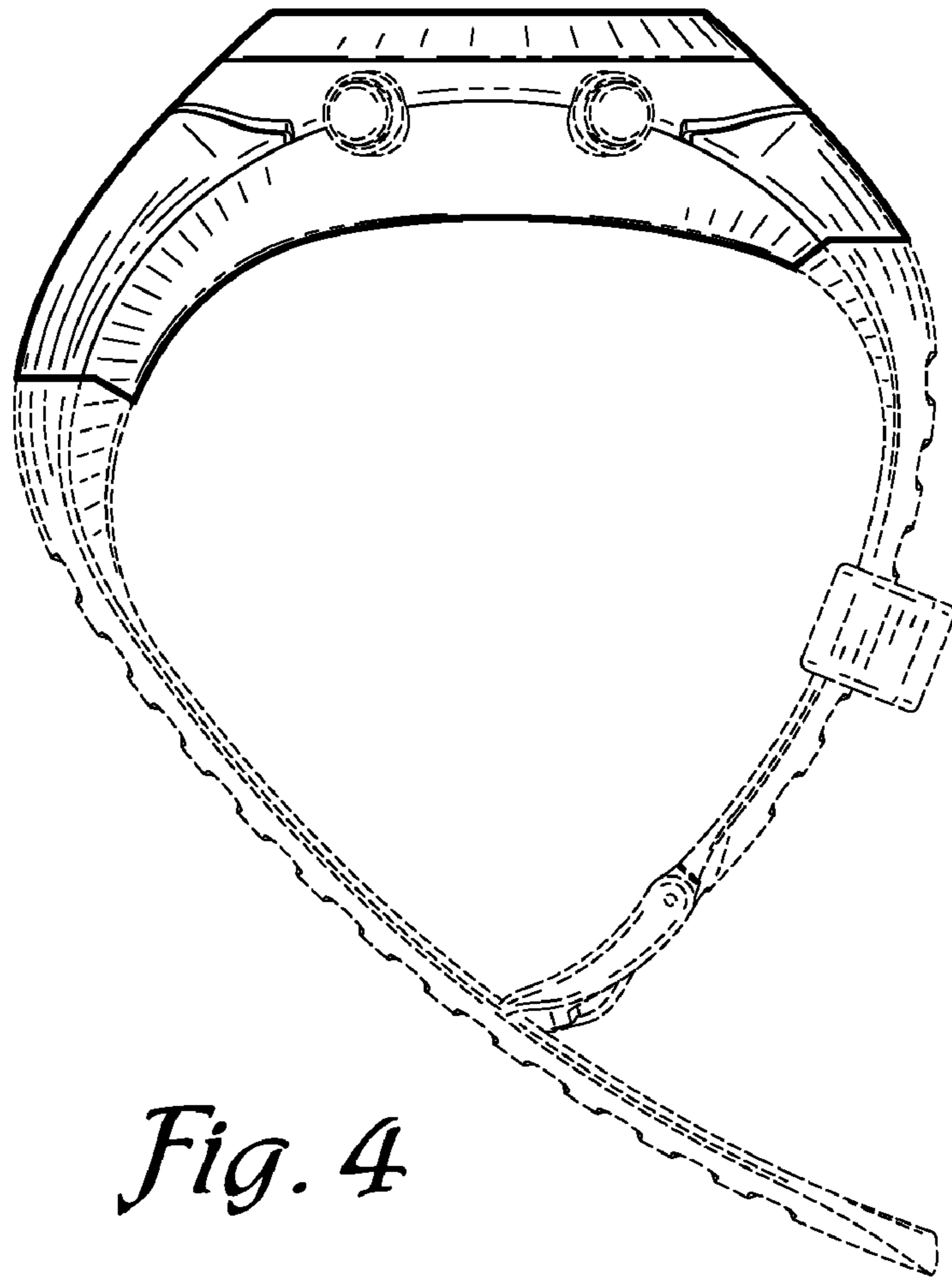


Fig. 4

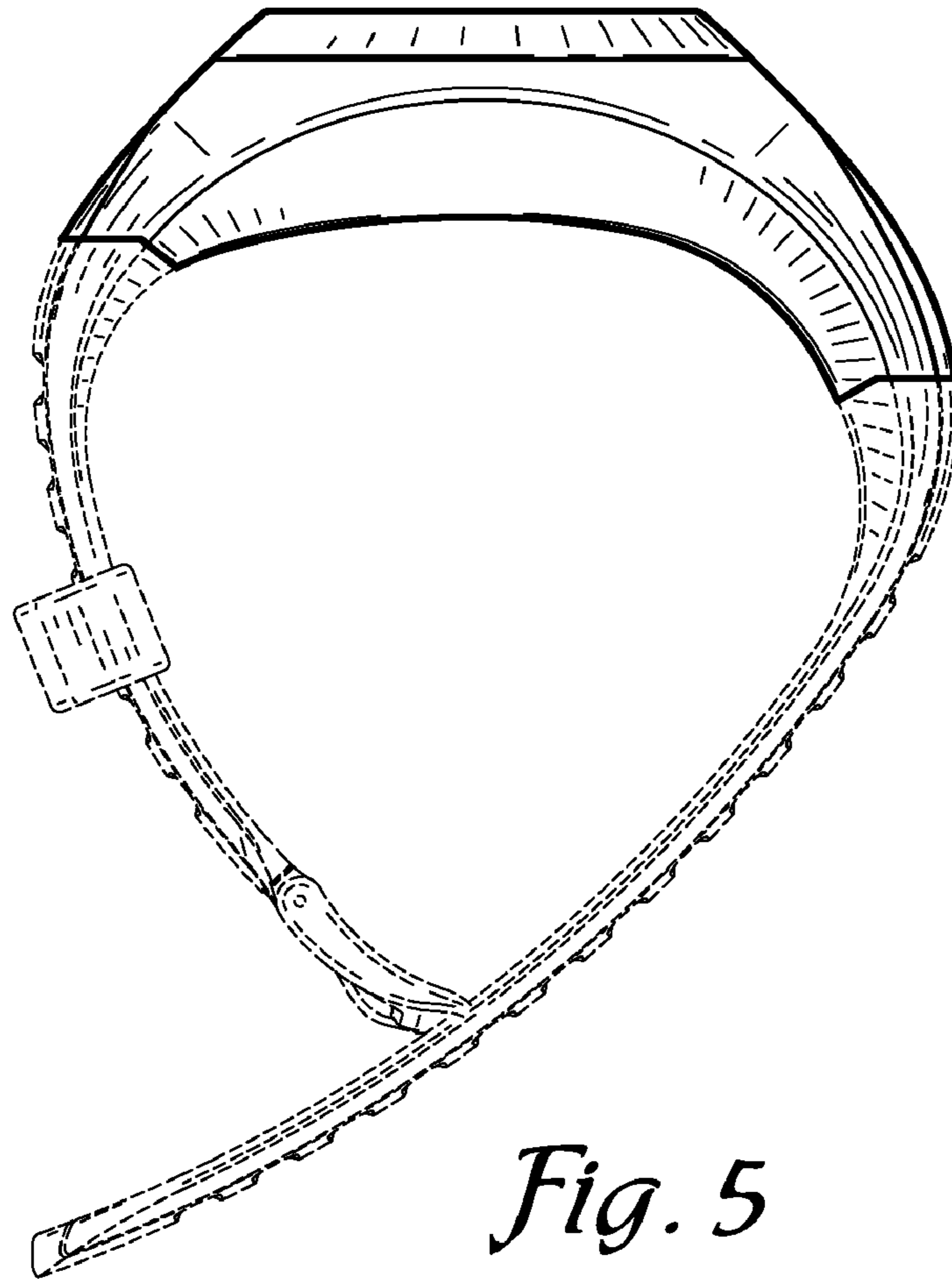


Fig. 5

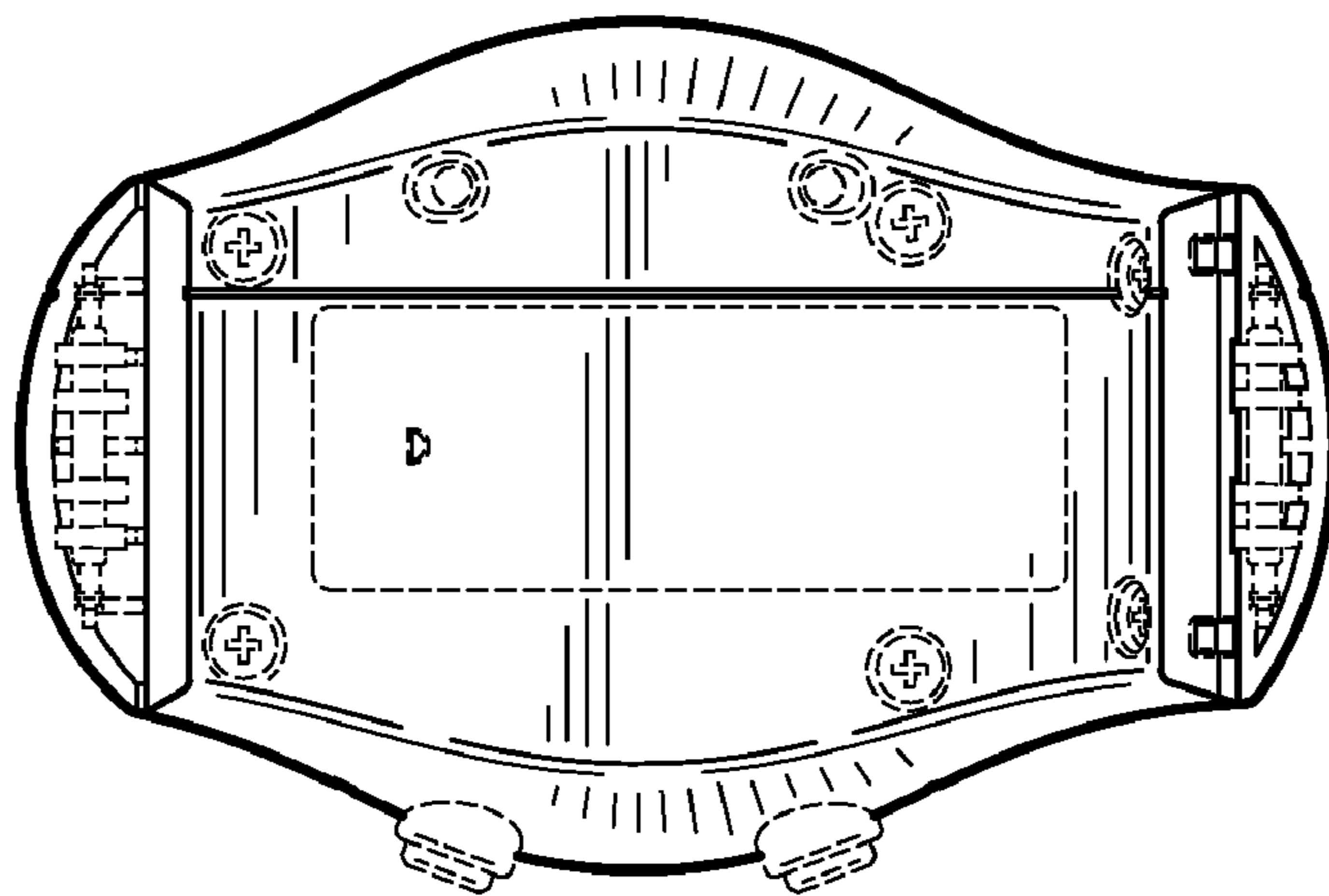


Fig. 6

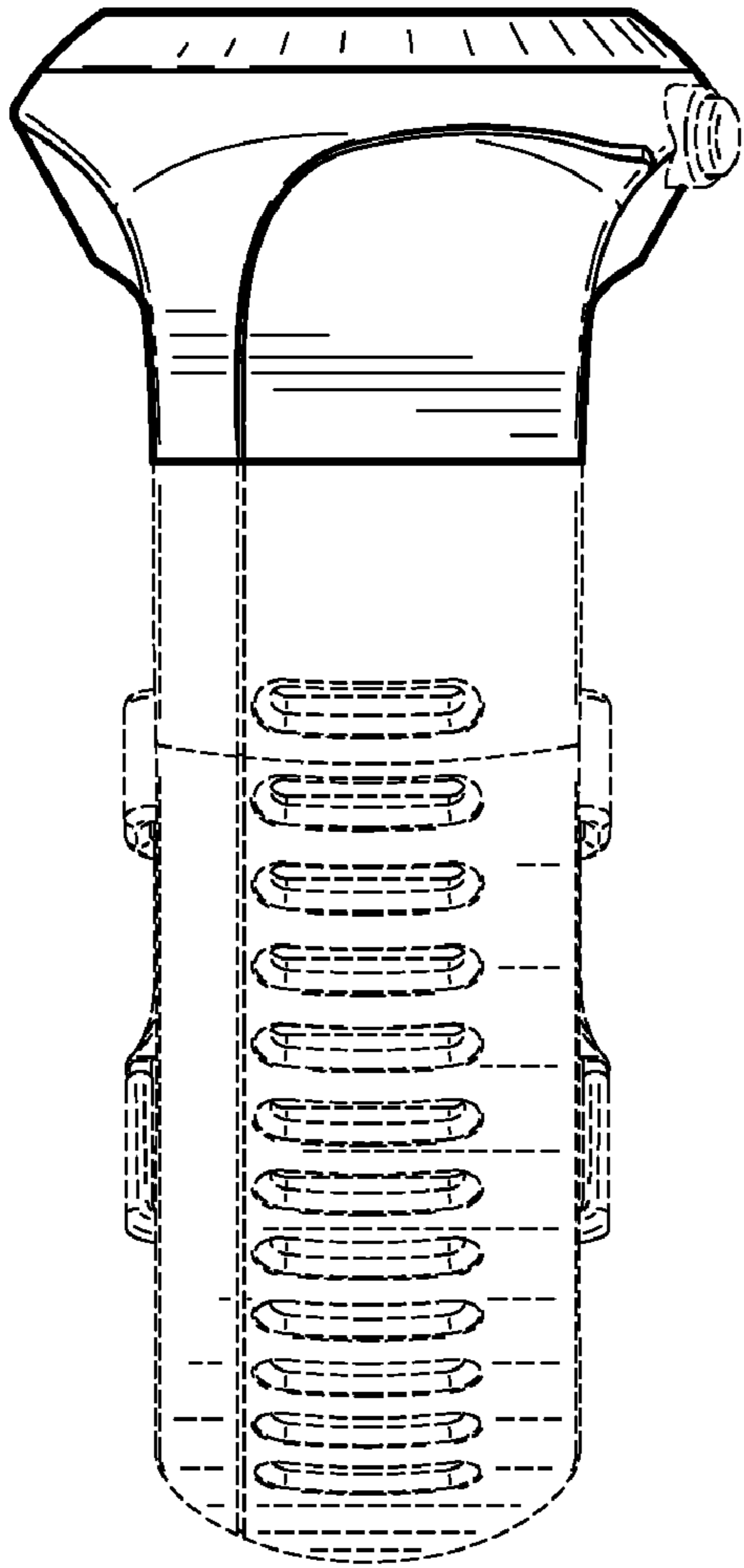


Fig. 7

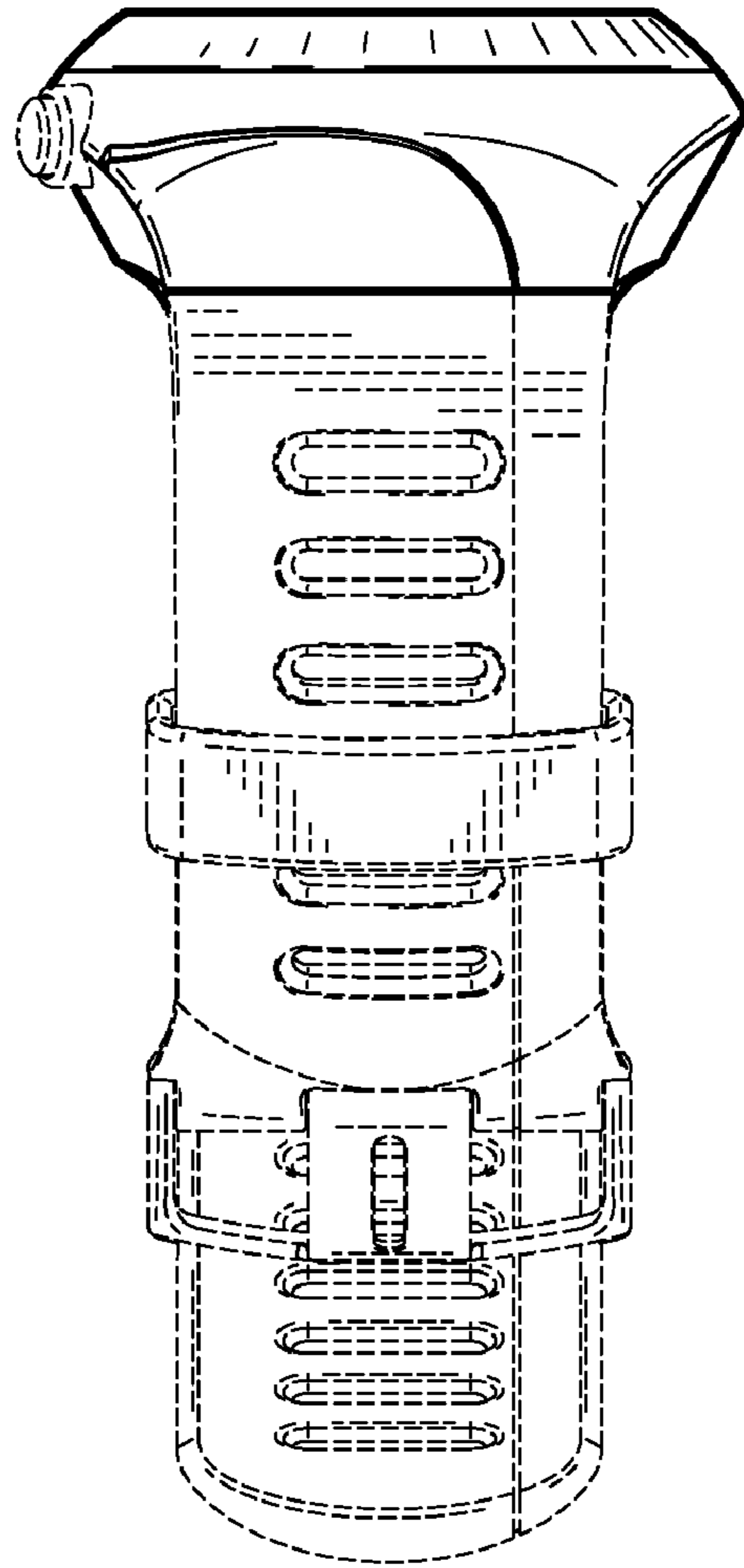


Fig. 8