



US00D610919S

(12) **United States Design Patent**
James

(10) **Patent No.:** **US D610,919 S**
(45) **Date of Patent:** **** Mar. 2, 2010**

(54) **FOOD PACKAGE**

(75) Inventor: **Thomas James**, Franklin Lakes, NJ (US)

(73) Assignee: **Societe des Produits Nestle S.A.**, Vevey (CH)

(**) Term: **14 Years**

(21) Appl. No.: **29/339,896**

(22) Filed: **Jul. 9, 2009**

(51) **LOC (9) Cl.** **09-05**

(52) **U.S. Cl.** **D9/711**

(58) **Field of Classification Search** D9/711,
D9/702-703, 719, 738-740, 517-518, 522,
D9/416, 444, 435, 460, 455, 499, 414, 739;
D7/560-562; 206/434, 426-427, 429-430,
206/485, 485.1, 499, 508, 431; 229/117.3,
229/185, 121-122, 200, 207, 236, 87.01;
220/23.83

See application file for complete search history.

(56) **References Cited**

U.S. PATENT DOCUMENTS

3,687,281	A *	8/1972	Prot	206/430
4,037,721	A *	7/1977	Schillinger	206/434
4,632,249	A *	12/1986	Blot	206/431
4,756,419	A *	7/1988	Le Bras	206/430
5,855,275	A *	1/1999	Hunter et al.	206/429
D558,602	S *	1/2008	Kissner et al.	D9/711
D595,150	S *	6/2009	Cain	D9/711

* cited by examiner

Primary Examiner—Caron Veynar

Assistant Examiner—Abraham Bahta

(74) *Attorney, Agent, or Firm*—K&L Gates LLP

(57) **CLAIM**

The ornamental design for a food package, as shown and described.

DESCRIPTION

FIG. 1 illustrates a front right perspective view of the food package showing my new design;

FIG. 2 illustrates a front elevation view thereof;

FIG. 3 illustrates a rear elevation view thereof;

FIG. 4 illustrates a top view thereof;

FIG. 5 illustrates a bottom view thereof;

FIG. 6 illustrates a right side elevation view thereof, wherein the left side elevation view is a mirror image of this view;

FIG. 7 illustrates a front right perspective view of a second alternative embodiment of the food package showing my new design;

FIG. 8 illustrates a front elevation view of FIG. 7;

FIG. 9 illustrates a rear elevation view of FIG. 7;

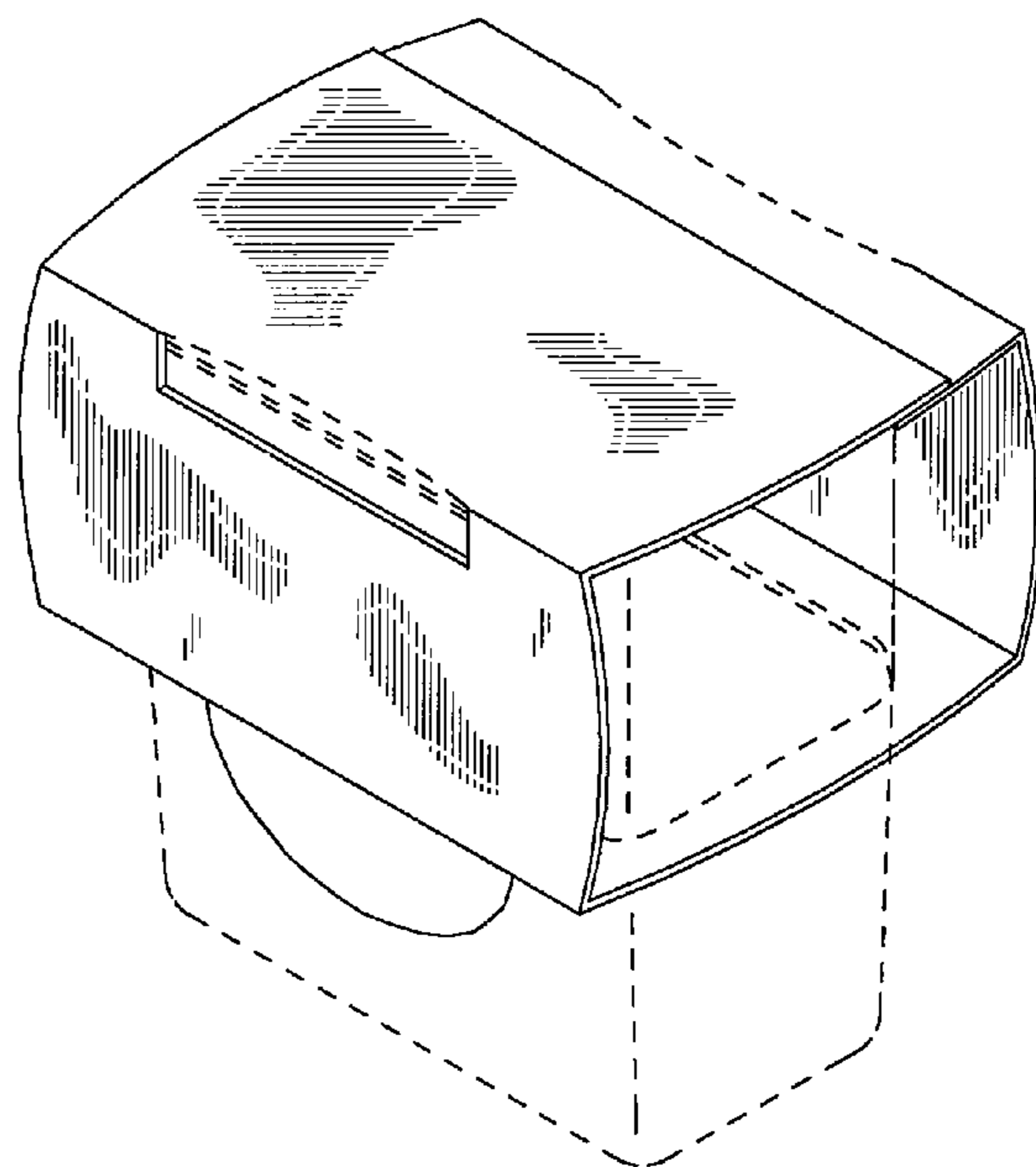
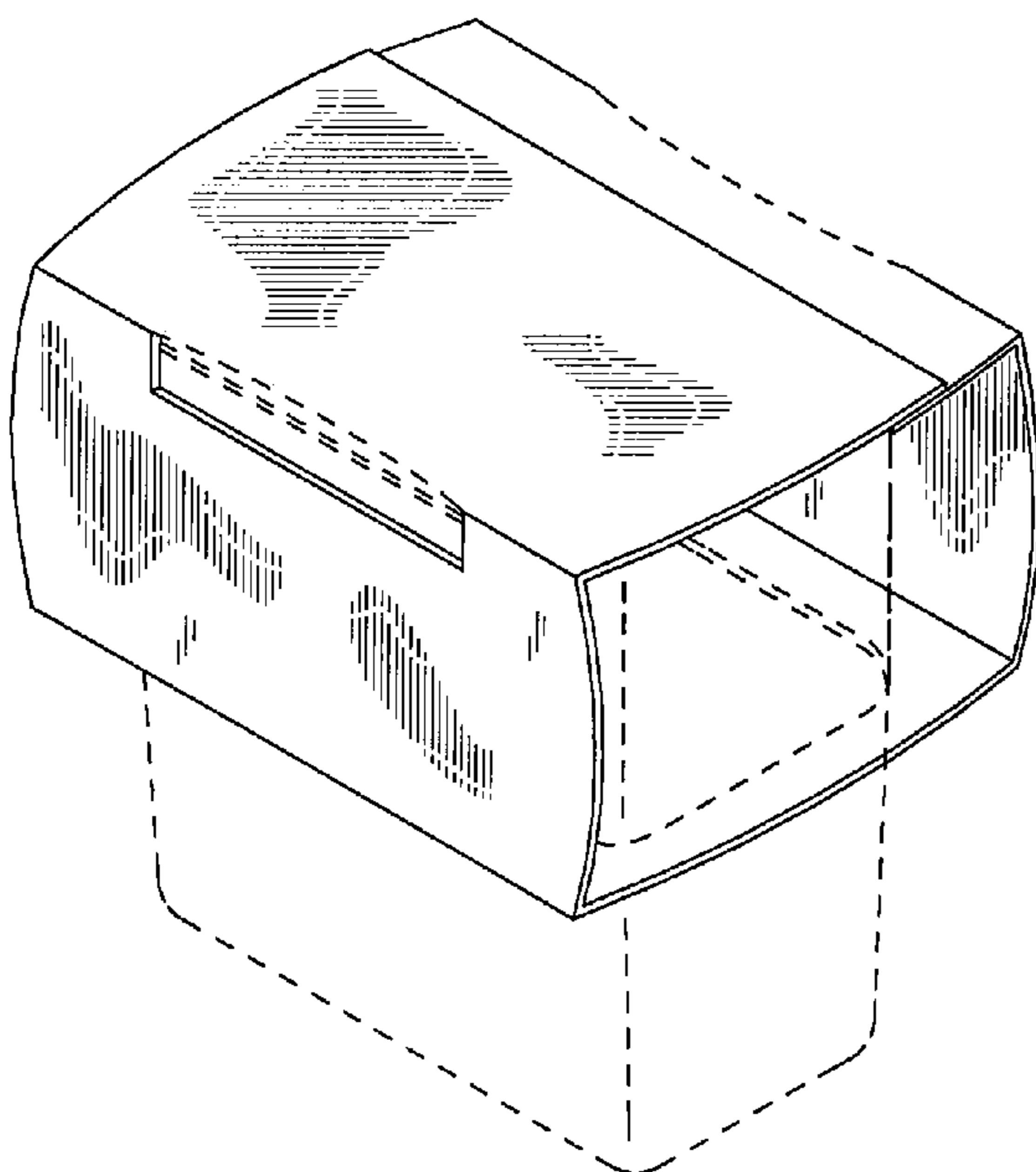
FIG. 10 illustrates a top view of FIG. 7;

FIG. 11 illustrates a bottom view of FIG. 7; and,

FIG. 12 illustrates a right side elevation view of FIG. 7, wherein the left side elevation view is a mirror image of this view.

The broken line showing of portions of the food package is included for the purpose of illustrating environmental structure and forms no part of the claimed design.

1 Claim, 6 Drawing Sheets



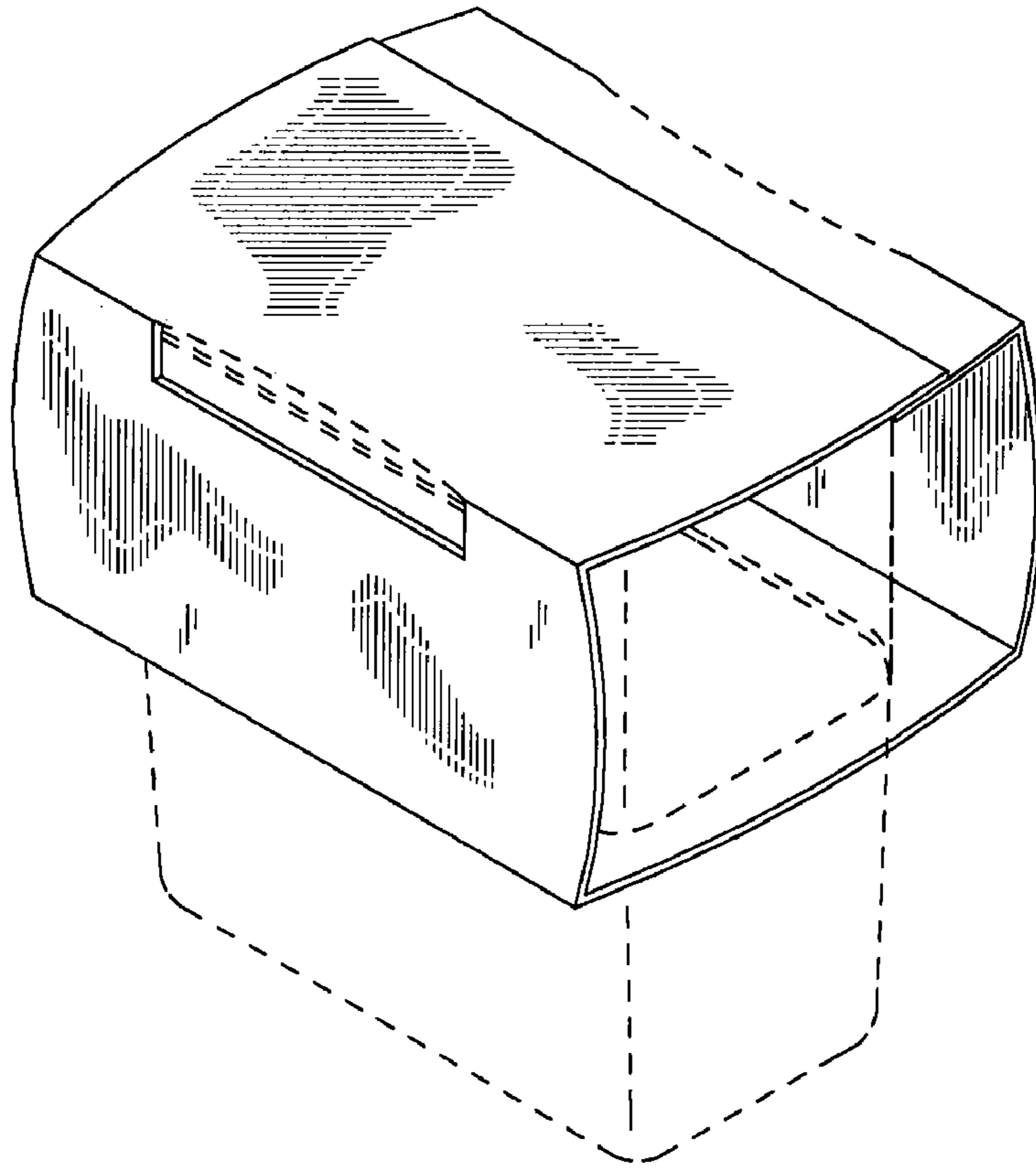


FIG. 1

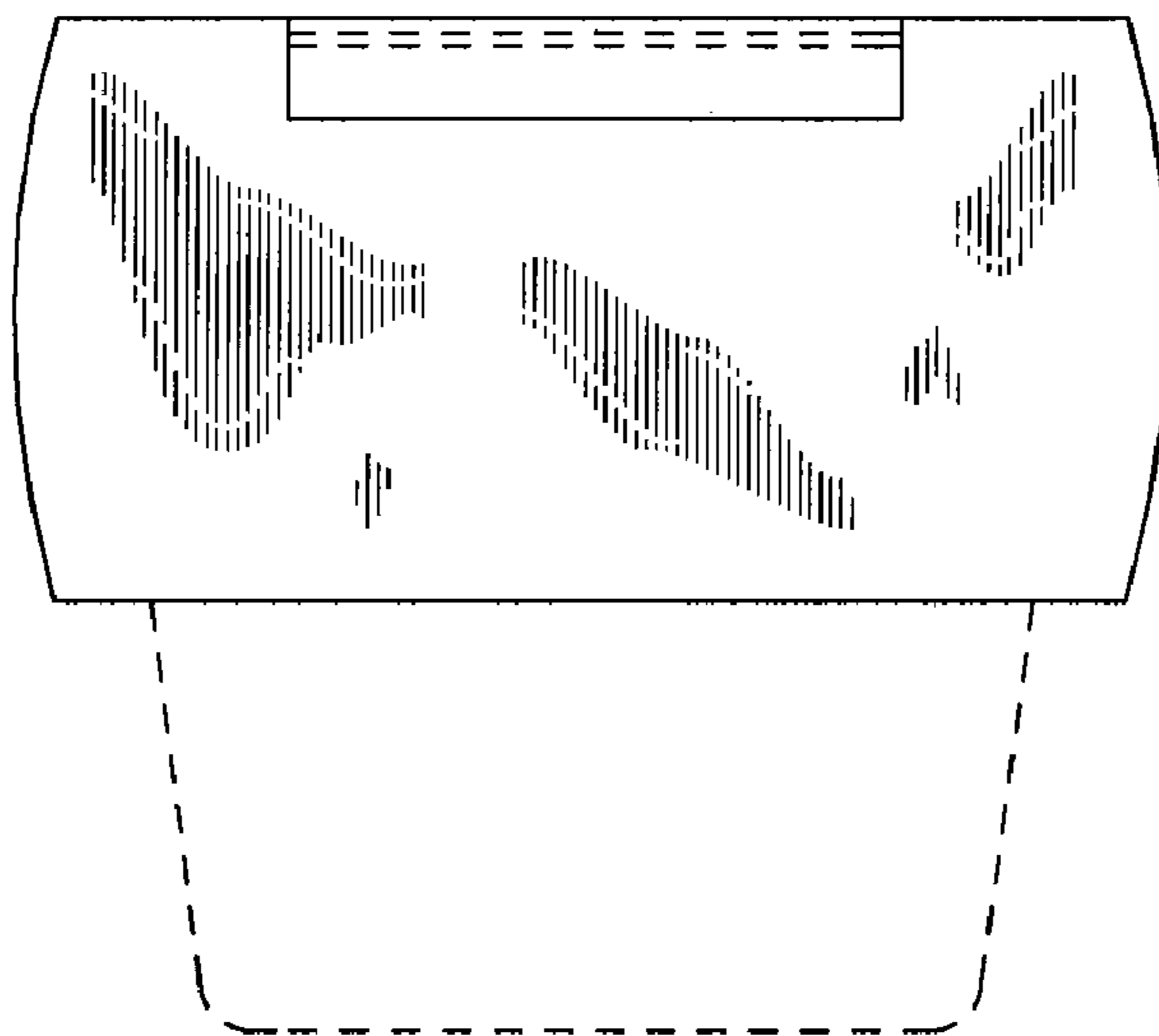


FIG. 2

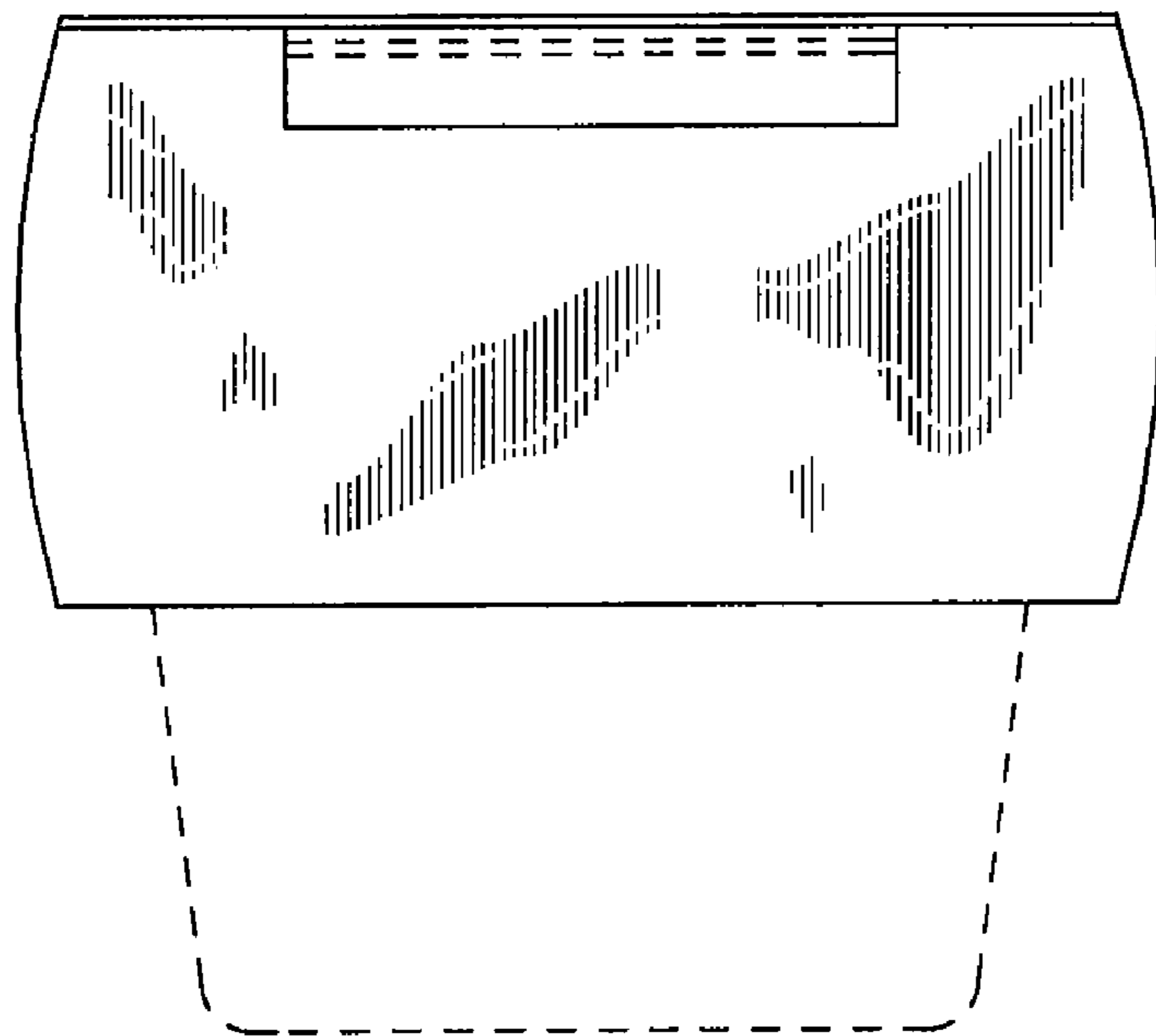


FIG. 3

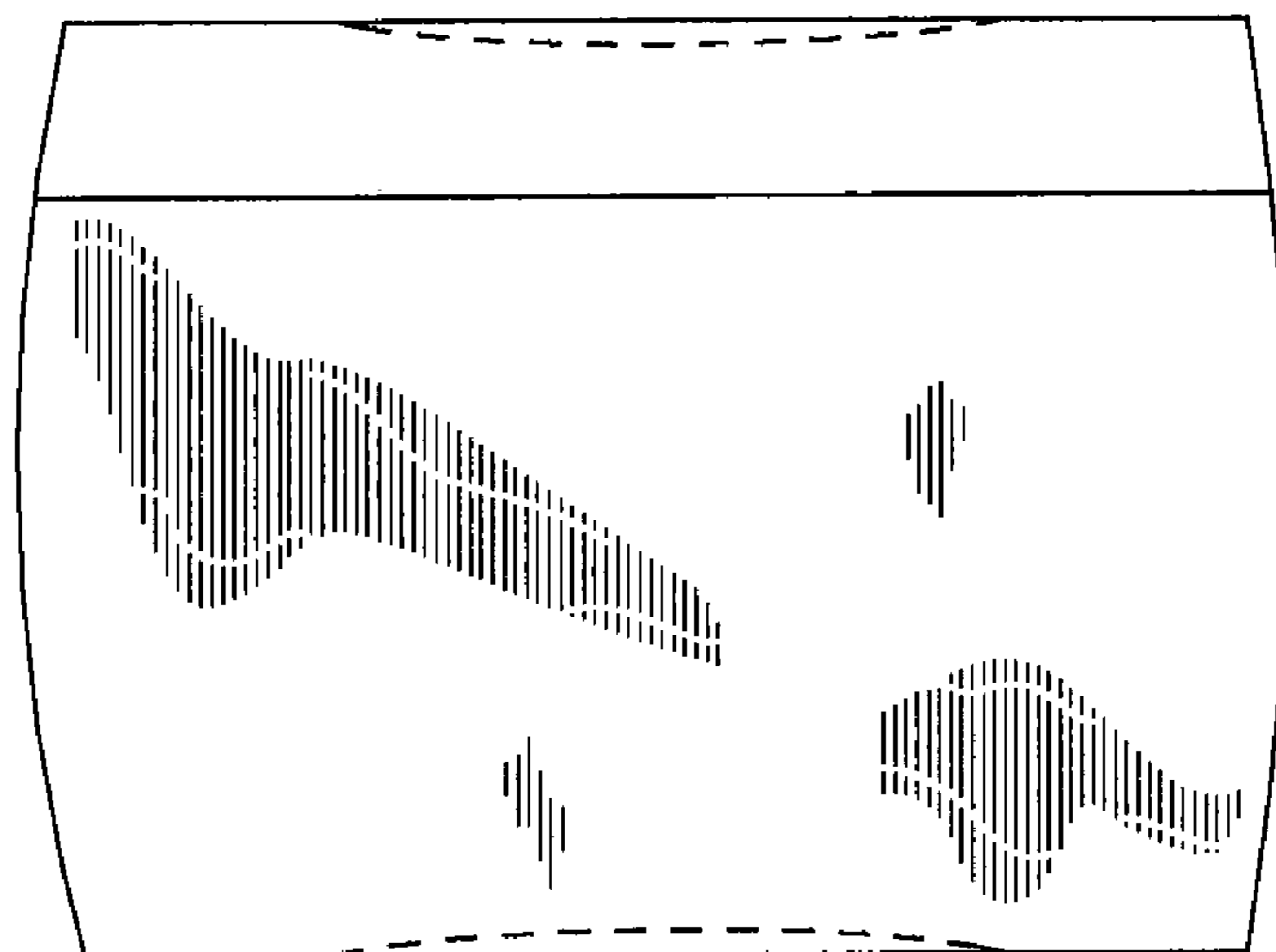


FIG. 4

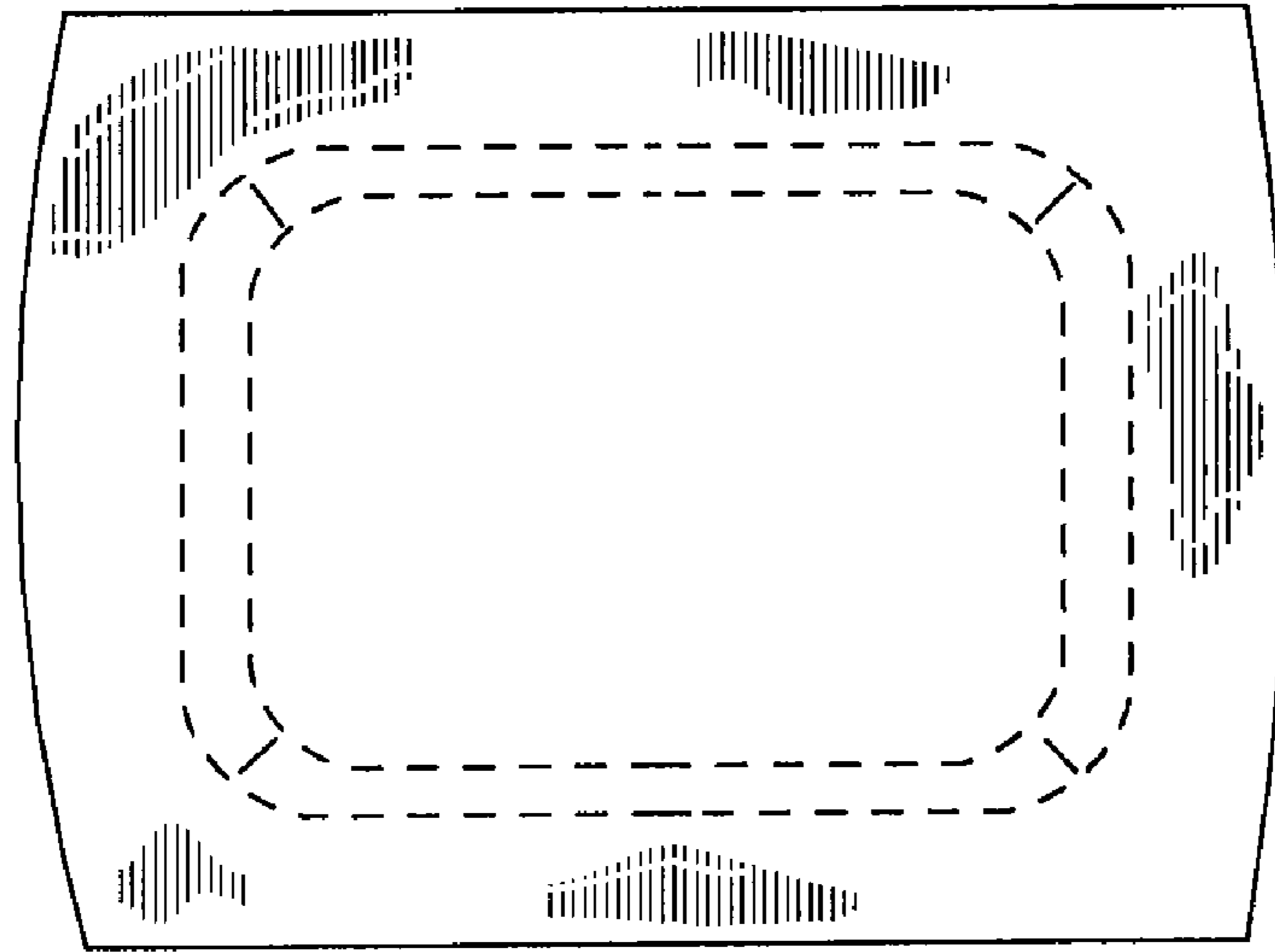


FIG. 5

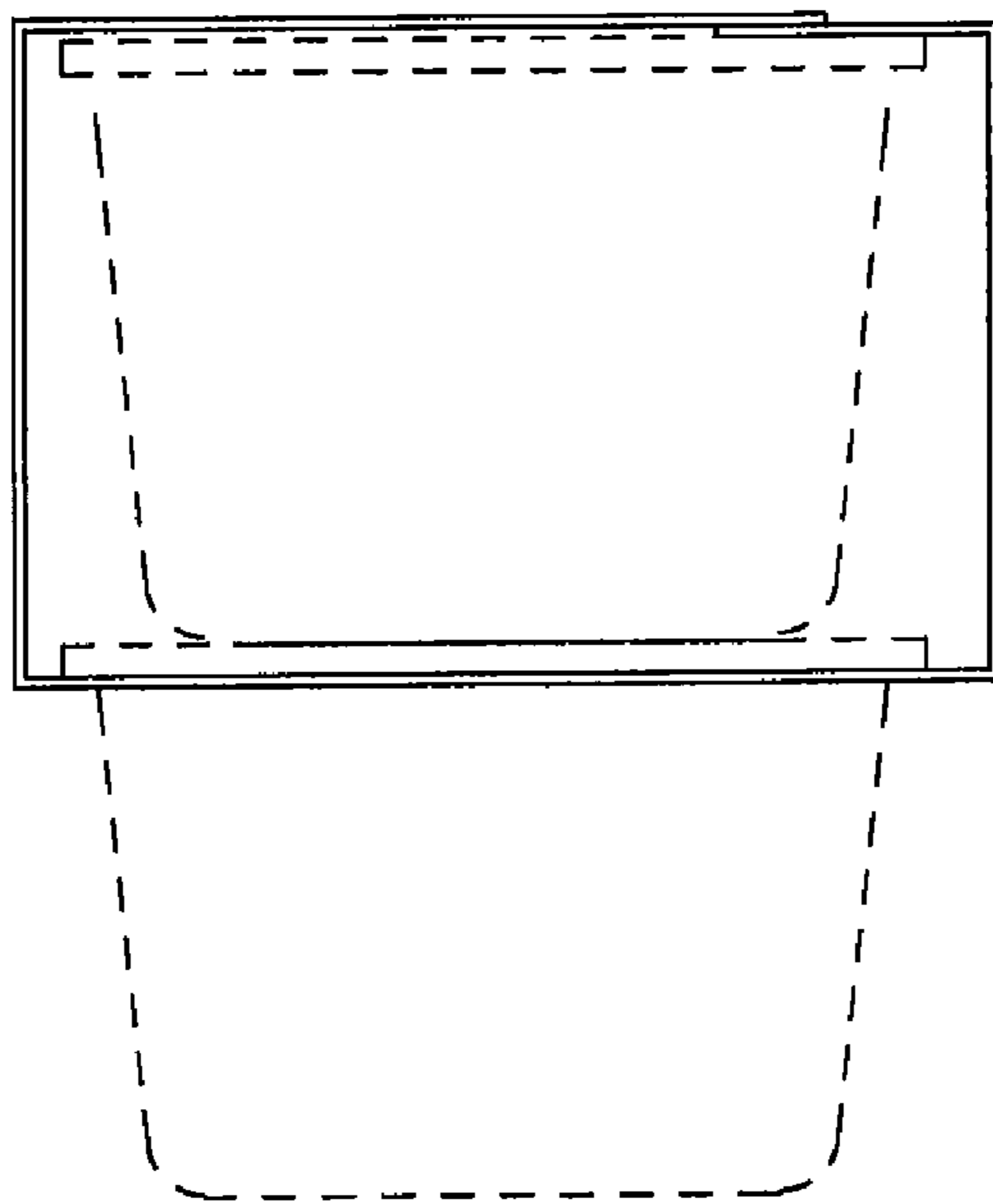


FIG. 6

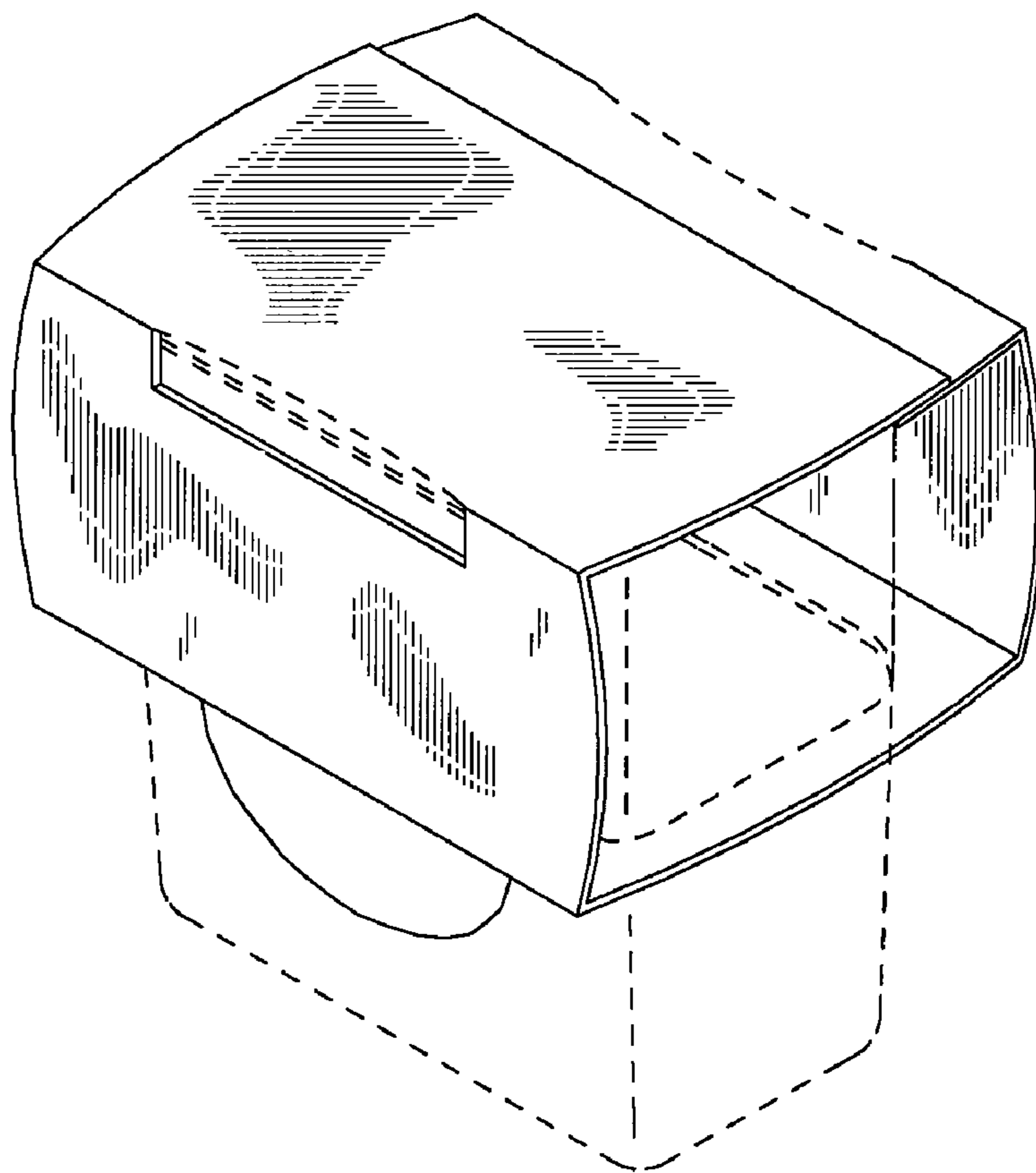


FIG. 7

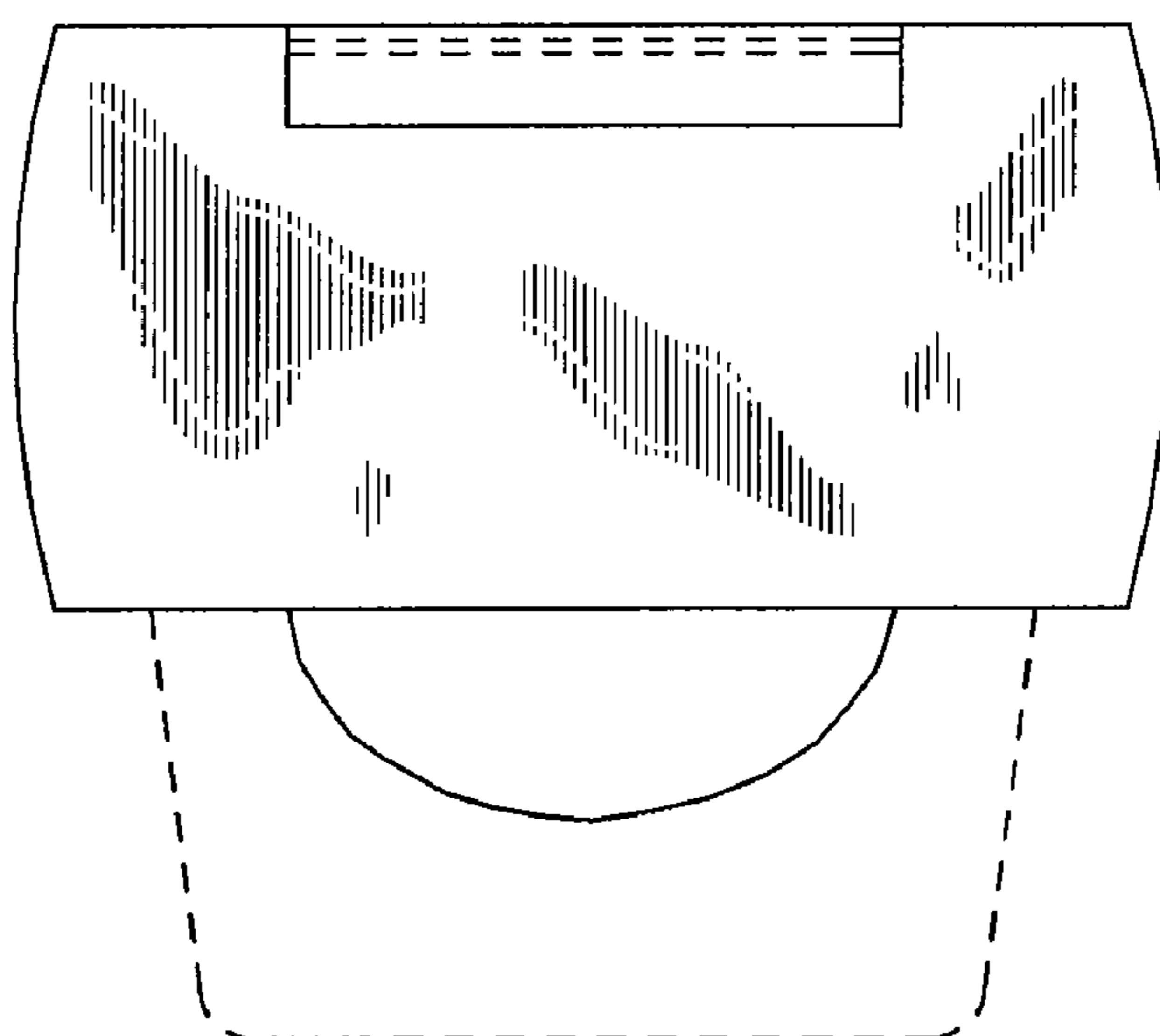


FIG. 8

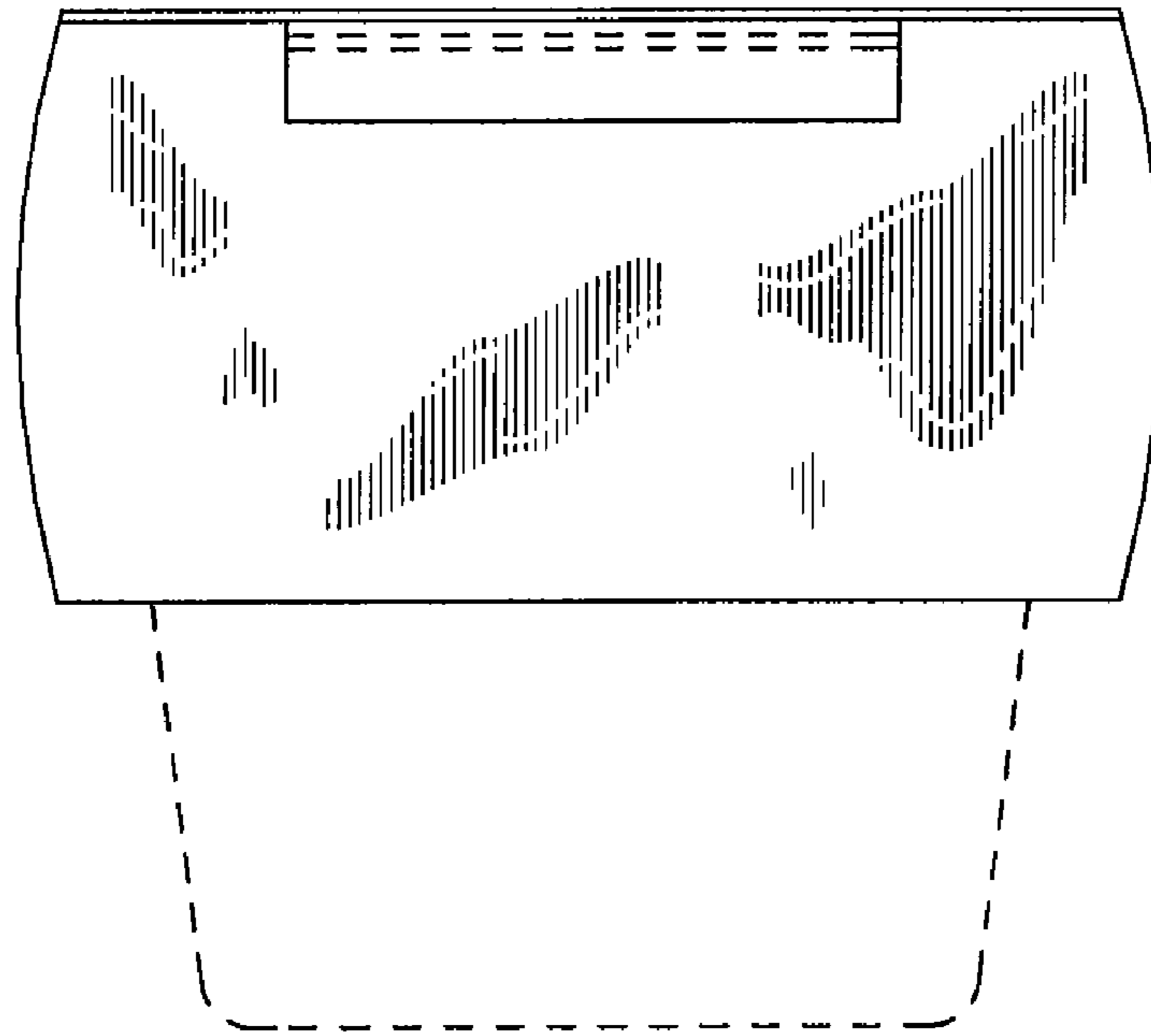


FIG. 9

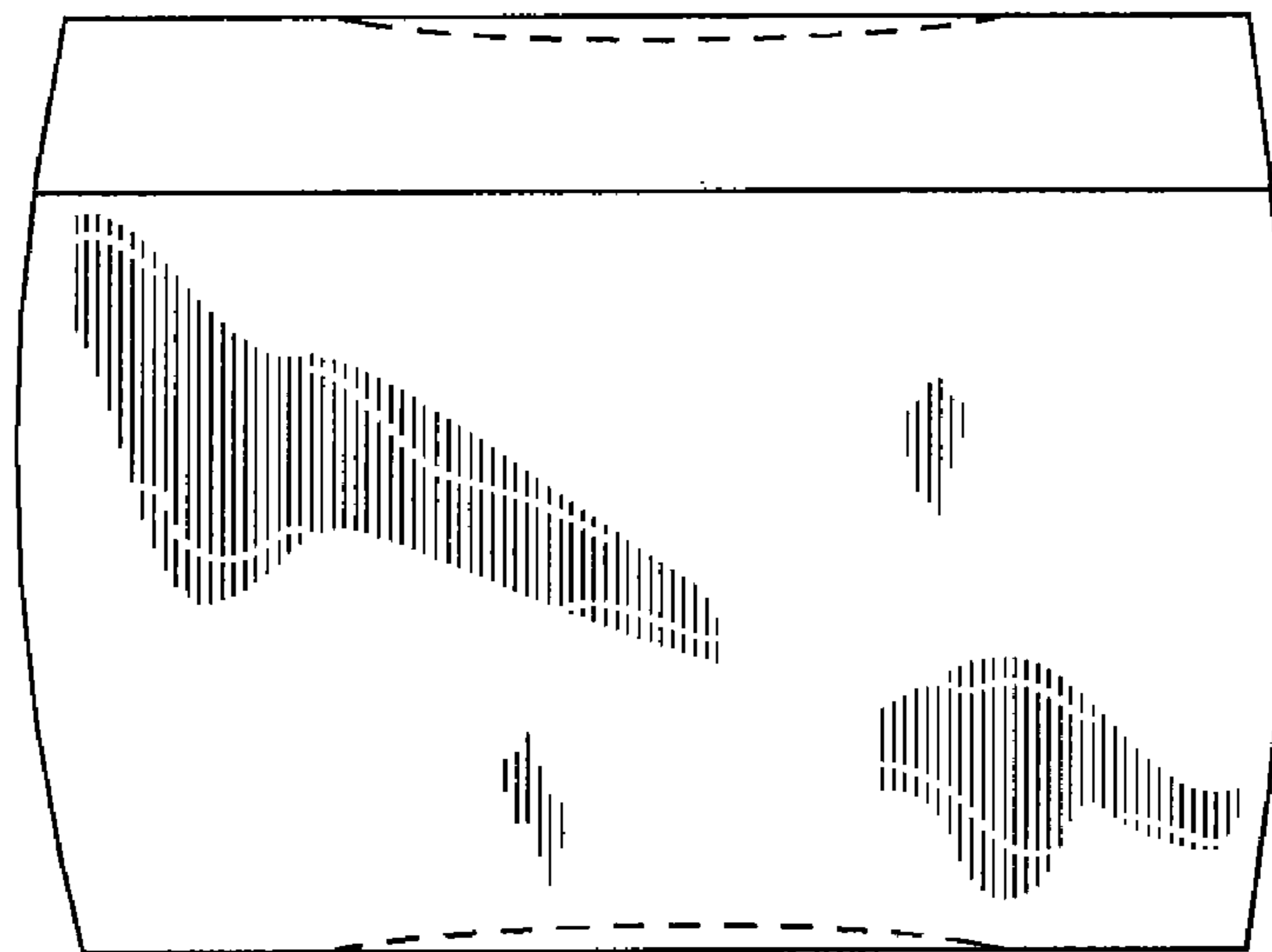


FIG. 10

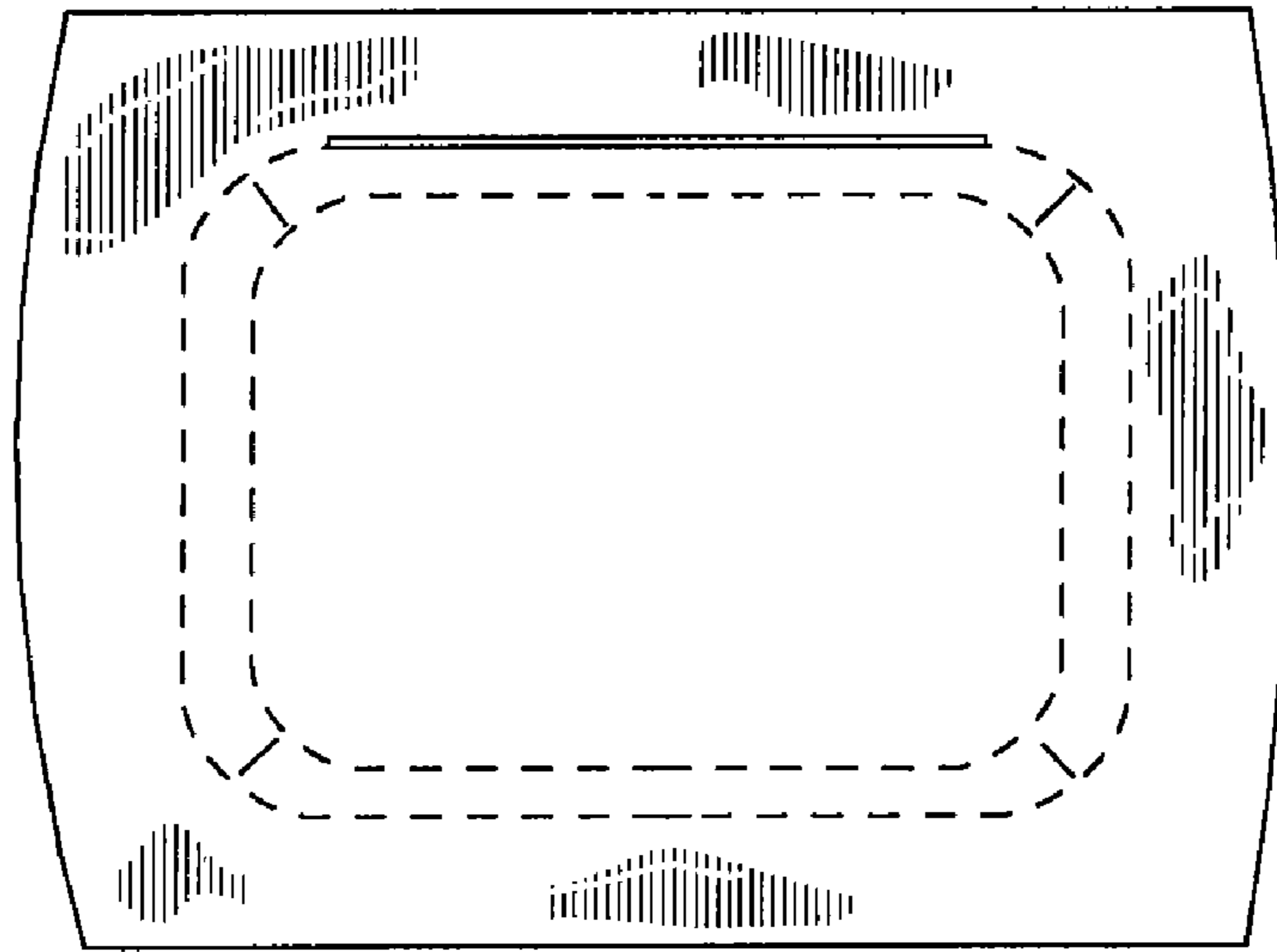


FIG. 11

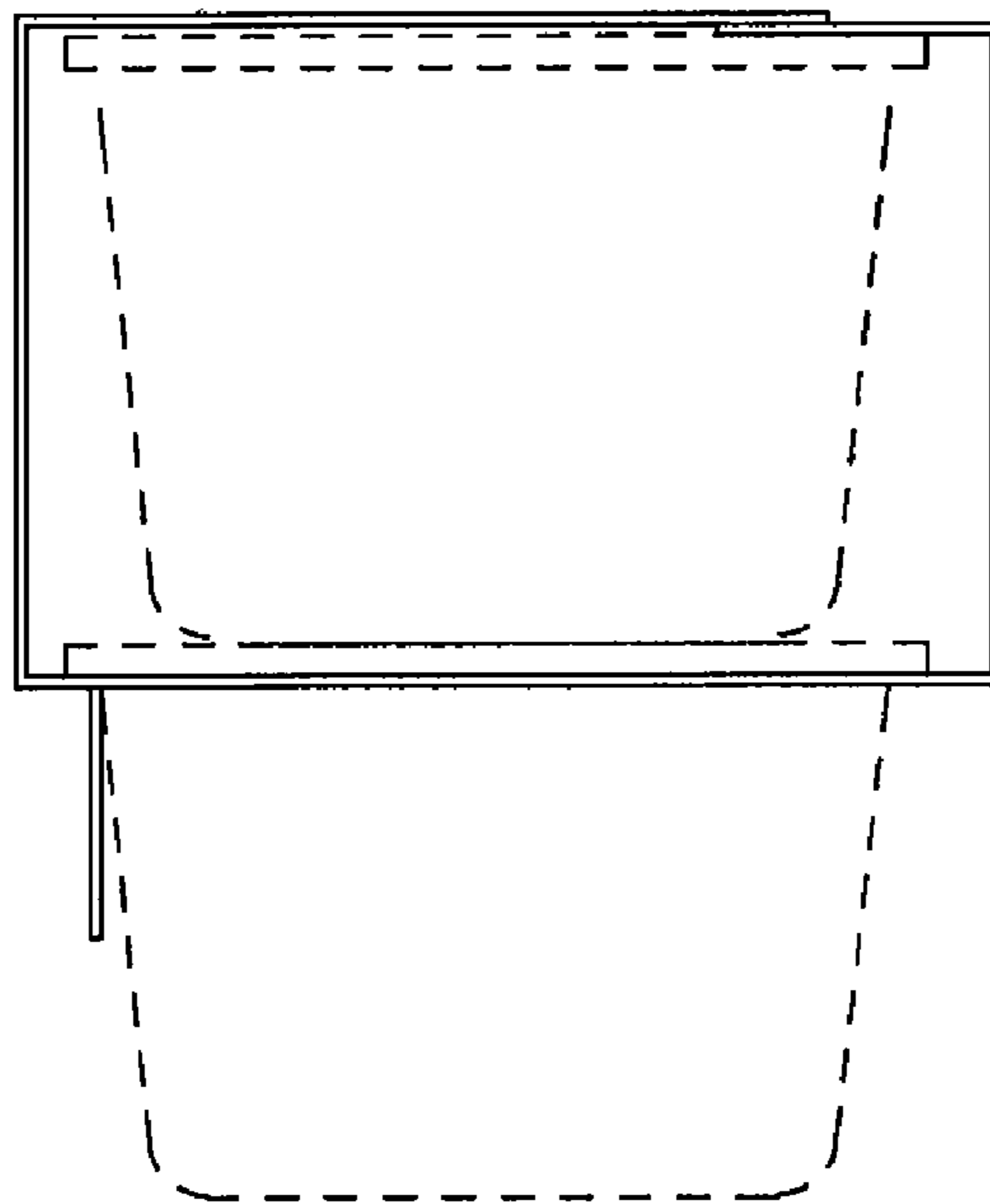


FIG. 12