



US00D610917S

(12) **United States Design Patent**  
**Ho**

(10) **Patent No.:** **US D610,917 S**  
(45) **Date of Patent:** **\*\* Mar. 2, 2010**

(54) **DISPENSER BOTTLE**

(76) Inventor: **Hsiao-Liang Ho**, 11F., No. 245, Sec. 1,  
Dunhua S. Rd., Da-An District, Taipei  
City 106 (TW)

(\*\*) Term: **14 Years**

(21) Appl. No.: **29/341,682**

(22) Filed: **Aug. 11, 2009**

(51) **LOC (9) Cl.** ..... **09-01**

(52) **U.S. Cl.** ..... **D9/694**

(58) **Field of Classification Search** ..... D9/682-694,  
D9/434-455, 516-575; D6/542; 215/379-385;  
220/669-675; 222/211, 212, 213, 215, 321.7-321.9,  
222/372, 373, 378, 379, 383.1, 384-386,  
222/398, 400.7, 401, 402.1-402.25

See application file for complete search history.

(56) **References Cited**

**U.S. PATENT DOCUMENTS**

D63,734 S *	1/1924	Philippe	.....	D9/546
D86,094 S *	1/1932	Samuels	.....	D9/529
2,823,836 A *	2/1958	Bach	.....	222/521
D266,987 S *	11/1982	Perez Carasa y Perez	.....	D9/694
		de Guzman	.....	D9/694
D318,610 S *	7/1991	Nitta	.....	D9/687
5,636,922 A *	6/1997	Clark	.....	366/145
D434,645 S *	12/2000	Adachi et al.	.....	D9/694

D469,684 S *	2/2003	Lerolle	.....	D9/682
D486,062 S *	2/2004	Huang	.....	D9/694
D525,534 S *	7/2006	Snell	.....	D9/694
7,134,577 B1 *	11/2006	Verma	.....	222/321.9
D563,704 S *	3/2008	Snell	.....	D6/542
D596,042 S *	7/2009	Chen	.....	D9/690
2003/0160070 A1 *	8/2003	Lee	.....	222/321.7
2005/0218159 A1 *	10/2005	Hour	.....	222/321.7

\* cited by examiner

*Primary Examiner*—Catherine Tuttle

(74) *Attorney, Agent, or Firm*—Rabin & Berdo, P.C.

(57) **CLAIM**

The ornamental design for a dispenser bottle, as shown and described.

**DESCRIPTION**

FIG. 1 is a perspective view of a dispenser bottle, showing my new design;

FIG. 2 is a front view thereof;

FIG. 3 is a rear view thereof;

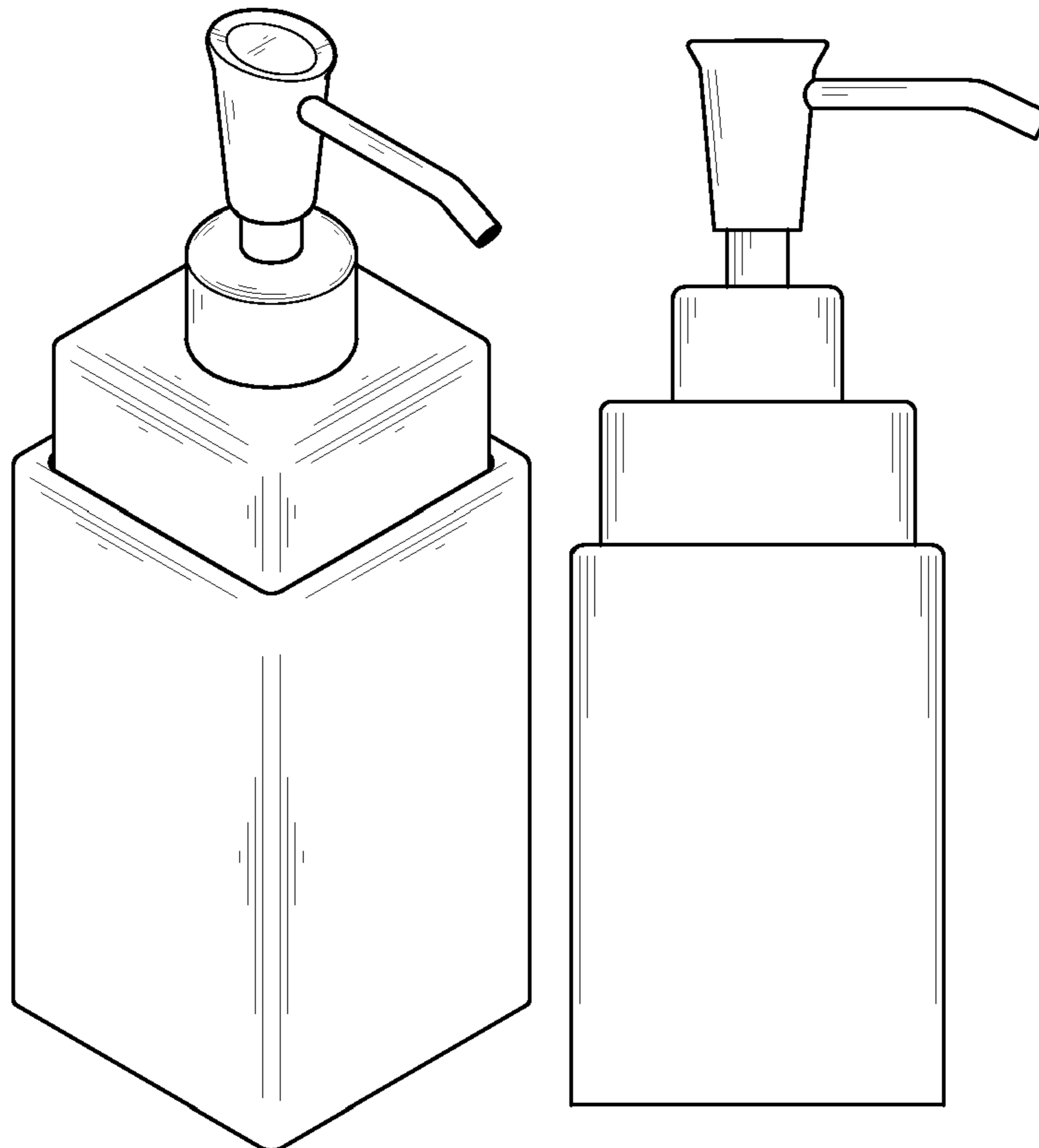
FIG. 4 is a left side view thereof;

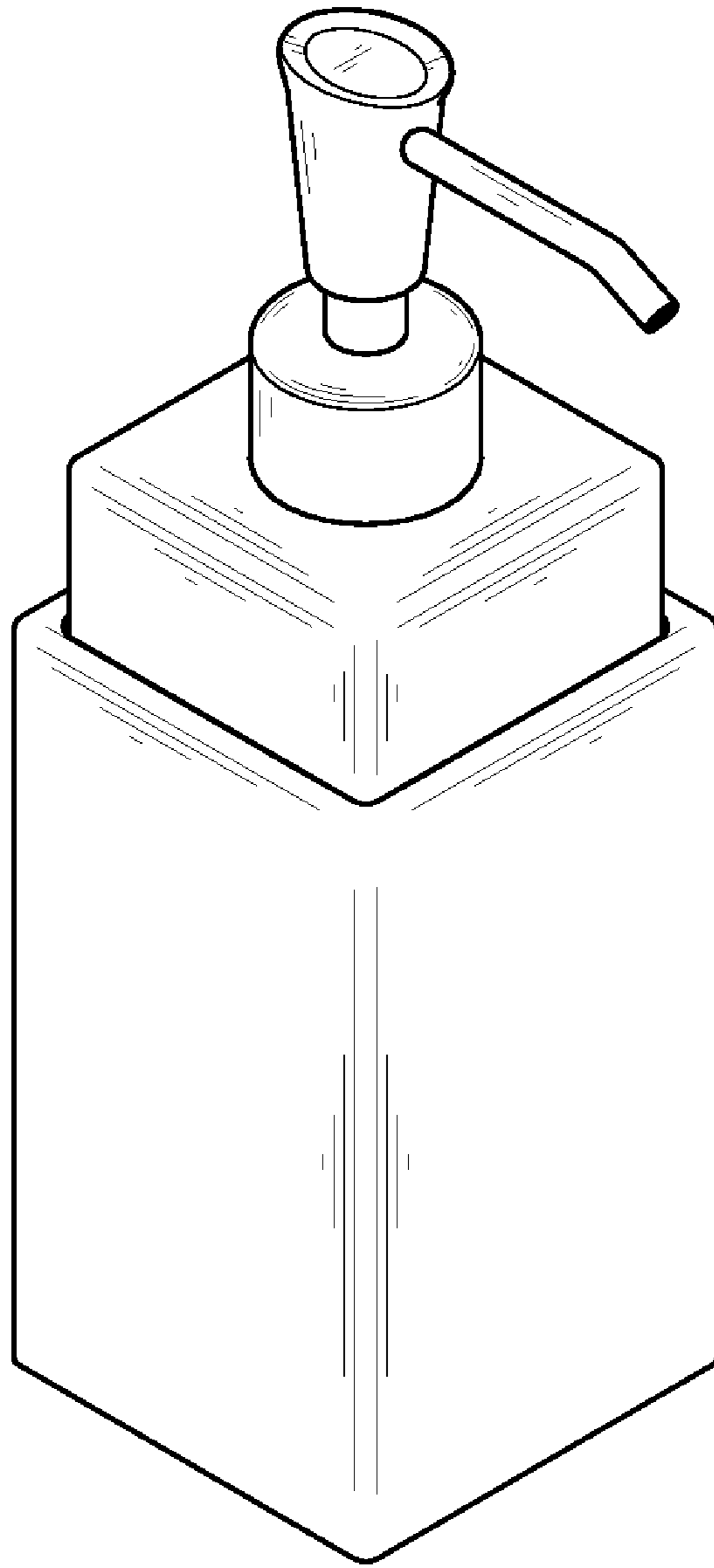
FIG. 5 is a right side view thereof;

FIG. 6 is top view thereof; and,

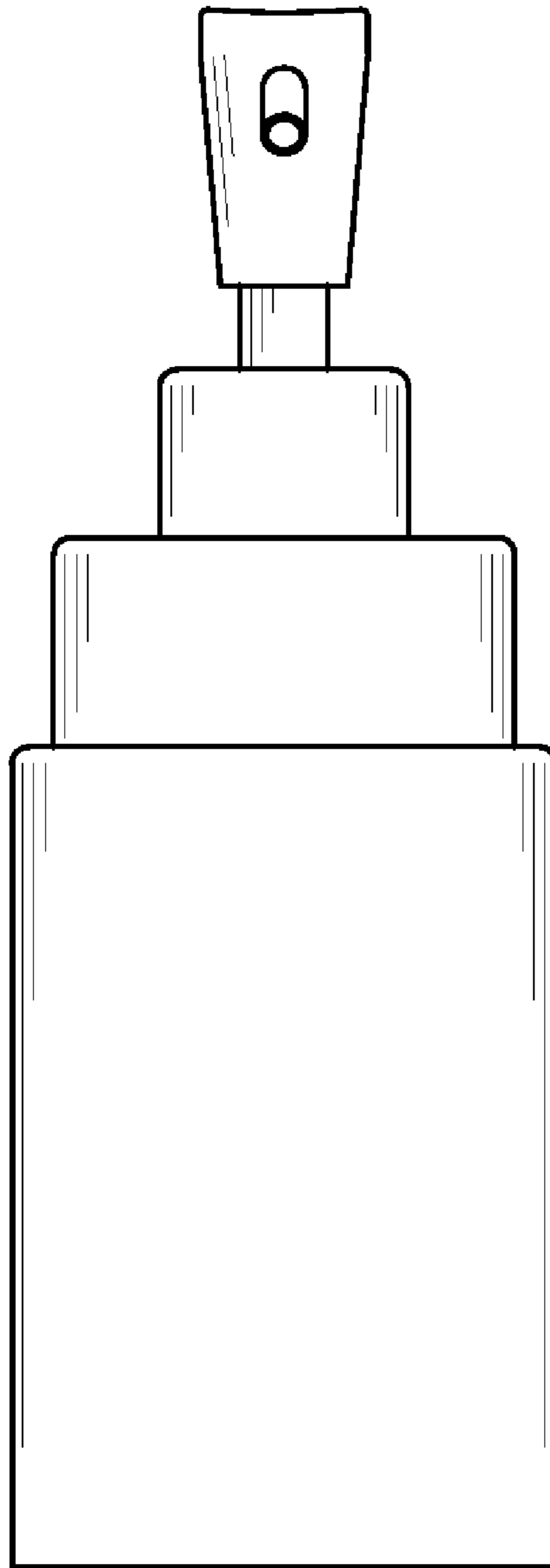
FIG. 7 is a bottom view thereof.

**1 Claim, 7 Drawing Sheets**

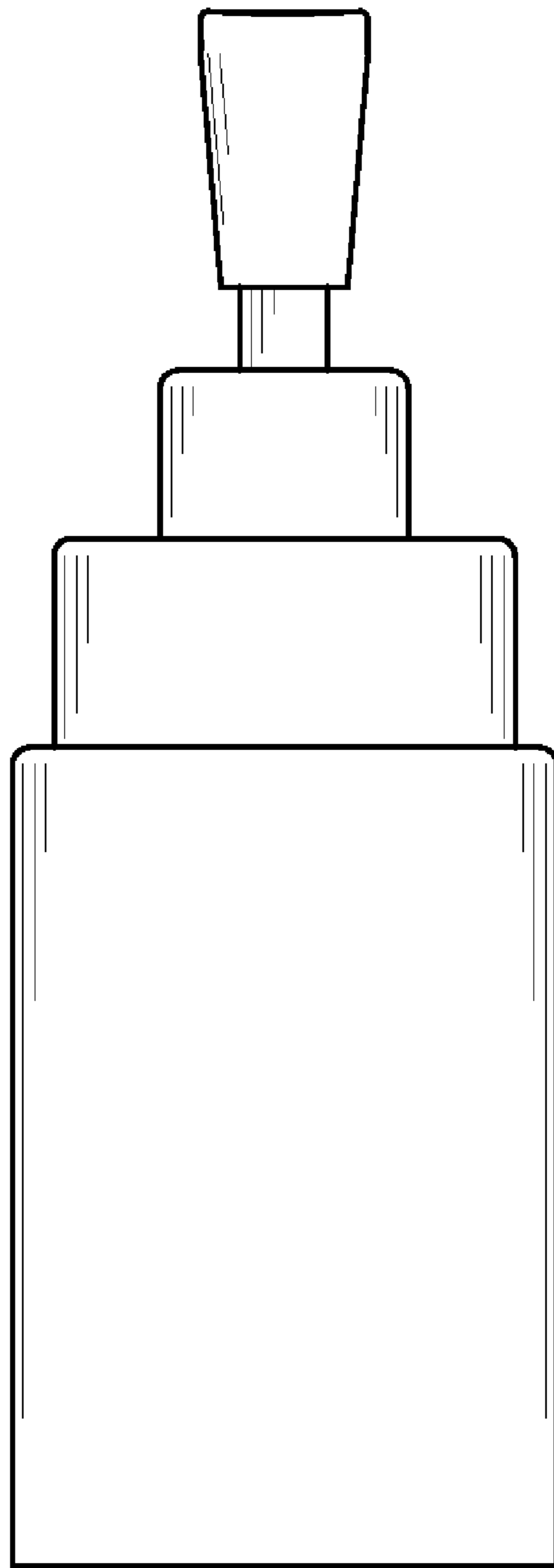




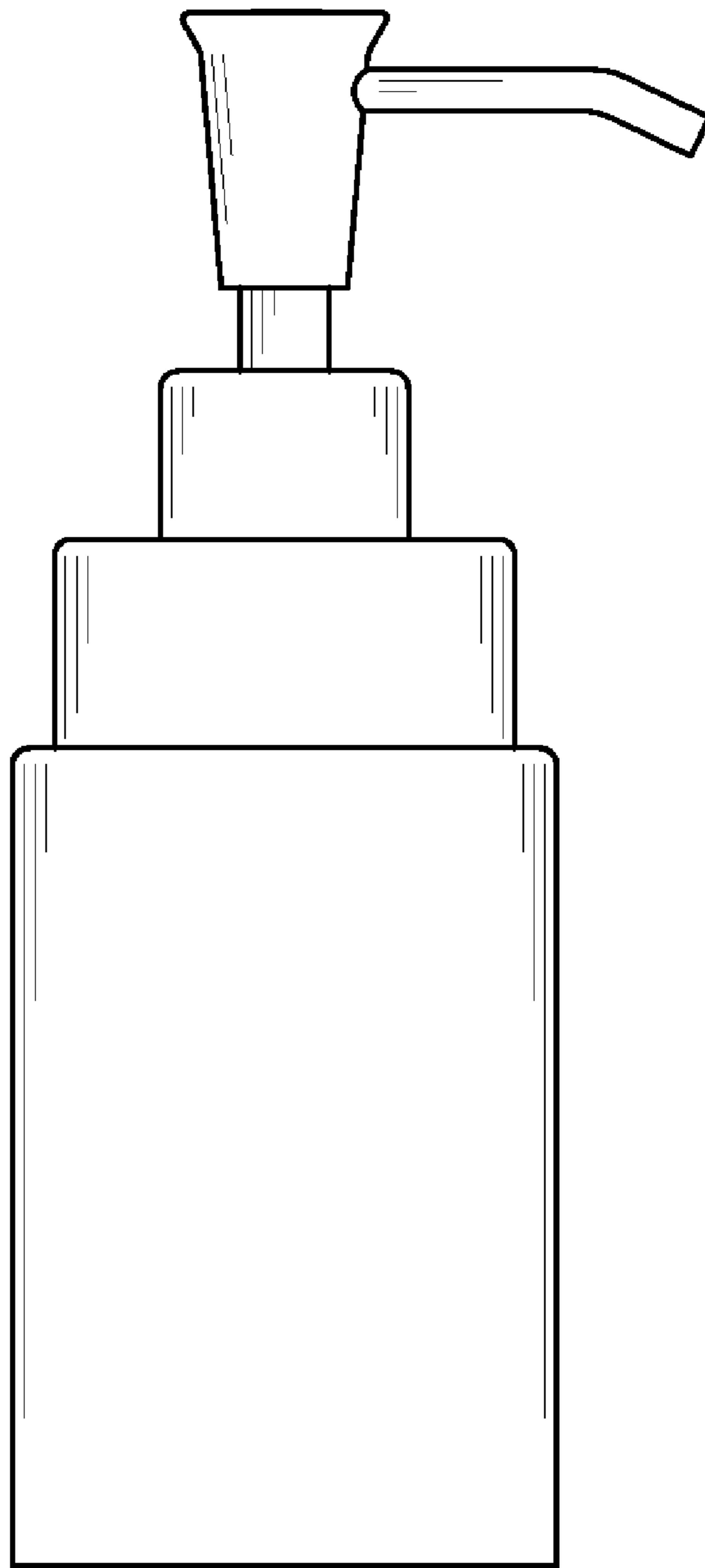
**Fig. 1**



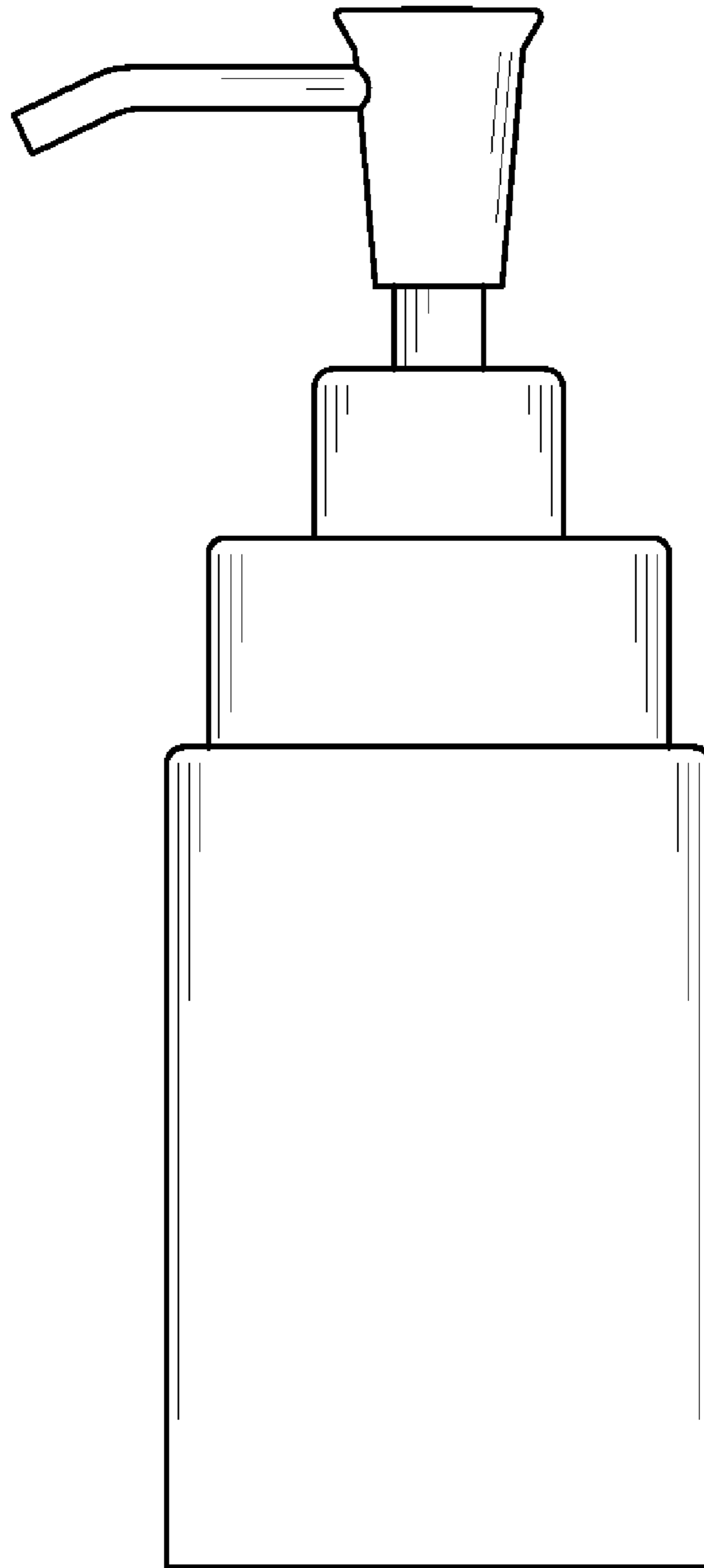
**Fig. 2**



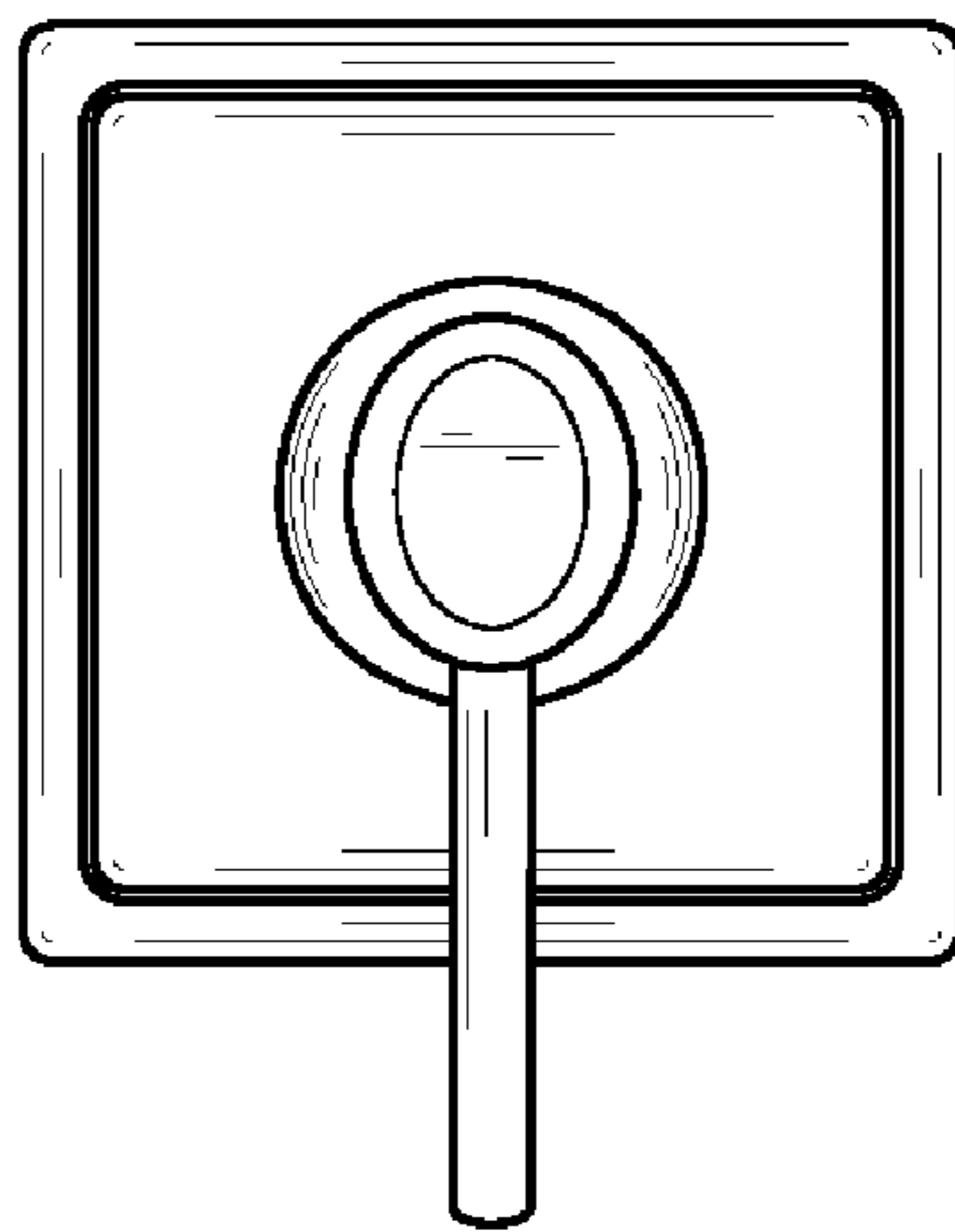
**Fig. 3**



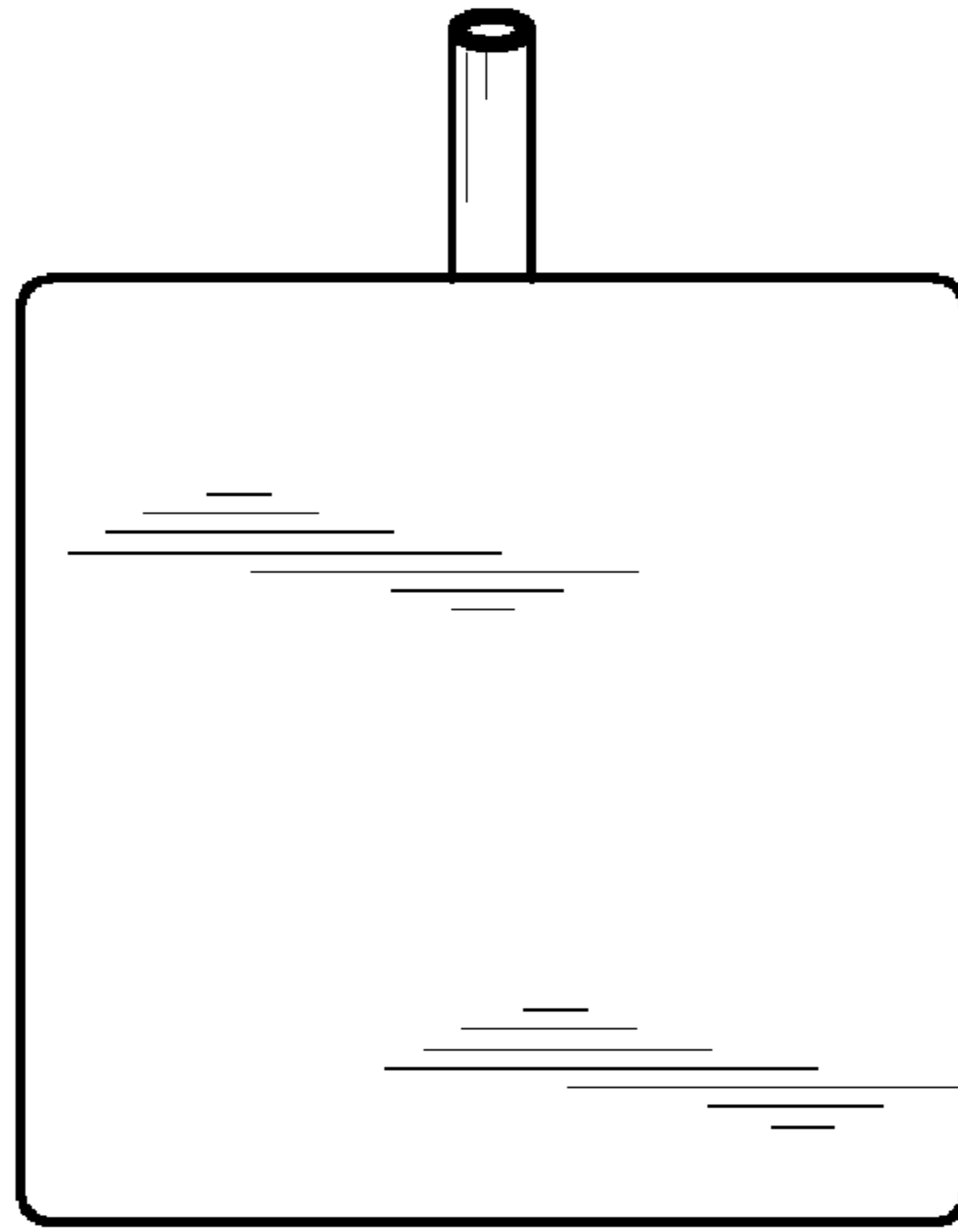
**Fig. 4**



**Fig. 5**



**Fig. 6**



**Fig. 7**