



US00D610905S

(12) **United States Design Patent**  
**Jones**

(10) **Patent No.:** **US D610,905 S**  
(45) **Date of Patent:** **\*\* Mar. 2, 2010**

(54) **BOTTLE LID TAG SECURITY DEVICE**

D446,422 S \* 8/2001 Sumner et al. .... D7/402  
D570,237 S \* 6/2008 Goetzl ..... D10/104  
D601,017 S \* 9/2009 Hungerford ..... D9/434

(75) Inventor: **Michael Edward Jones**, Penymynydd  
(GB)

\* cited by examiner

(73) Assignee: **Mainetti (UK) Limited** (GB)

*Primary Examiner*—Susan Bennett Hattan  
(74) *Attorney, Agent, or Firm*—Jack Schwartz & Associates,  
PLLC

(\*\*) Term: **14 Years**

(21) Appl. No.: **29/317,320**

(57) **CLAIM**

(22) Filed: **Apr. 28, 2008**

The ornamental design for a bottle lid tag security device, as shown and described.

(30) **Foreign Application Priority Data**

Oct. 29, 2007 (GB) ..... 4005058

**DESCRIPTION**

(51) **LOC (9) Cl.** ..... **09-07**

(52) **U.S. Cl.** ..... **D9/434; D9/435; D9/445**

(58) **Field of Classification Search** ..... D9/454,  
D9/450, 449, 447, 446, 443, 438, 436, 435,  
D9/434; D7/510, 396.2, 391; 222/565, 556,  
222/109, 498, 153.01–153.14; 221/63; 220/847,  
220/838, 375, 367.1, 258.2, 257.1, 254.1–254.4;  
215/306, 256, 249, 243, 237, 235, 230; 16/257  
See application file for complete search history.

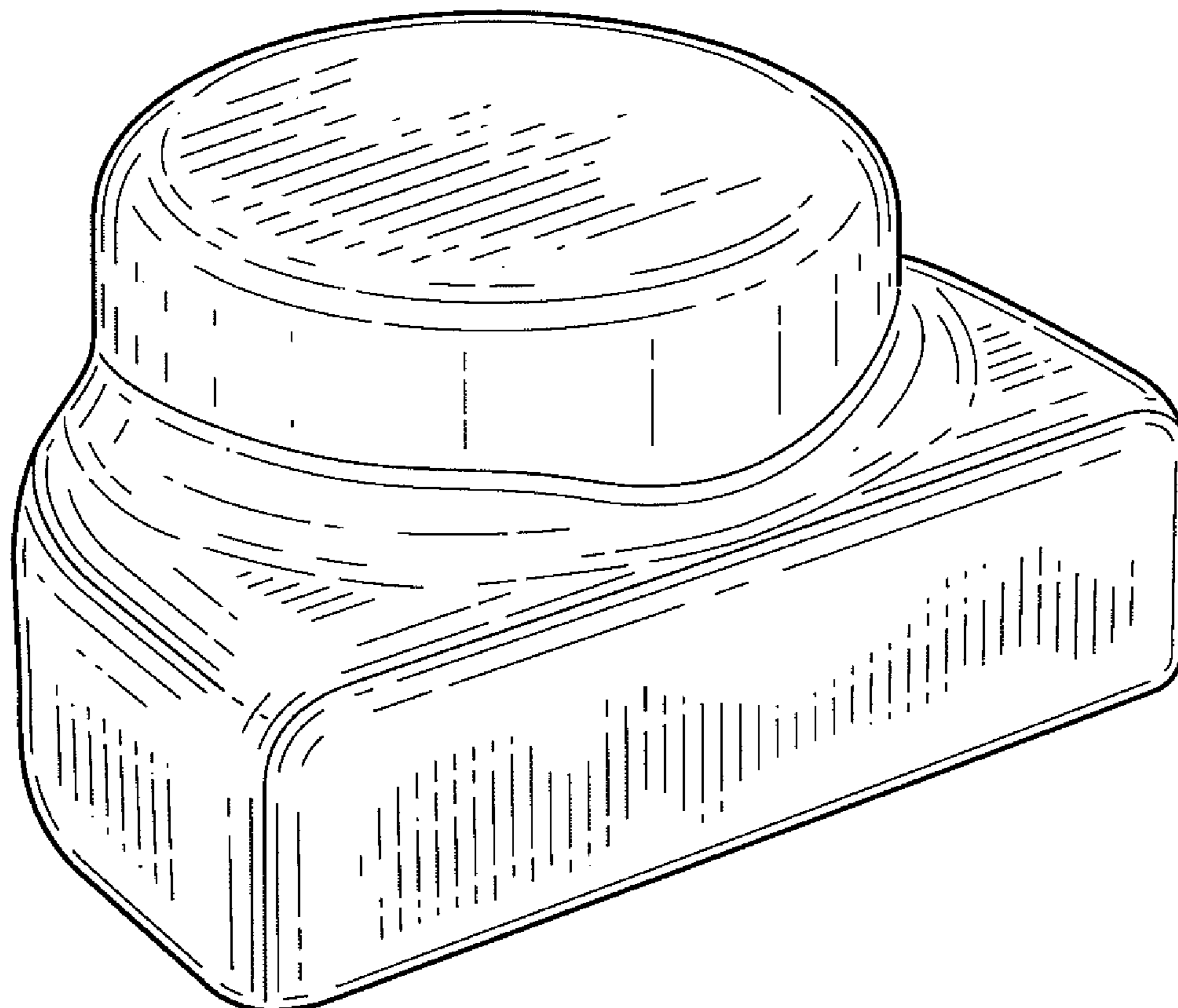
FIG. 1 is a top view of the bottle lid tag security device;  
FIG. 2 is a front view of the bottle lid tag security device;  
FIG. 3 is a right side view of the bottle lid tag security device;  
FIG. 4 is a rear view of the bottle lid tag security device;  
FIG. 5 is a left side view of the bottle lid tag security device;  
FIG. 6 is a bottom view of the bottle lid tag security device;  
FIG. 7 is a front perspective view of the bottle lid tag security device; and,  
FIG. 8 is an bottom perspective view of the bottle lid tag security device.

(56) **References Cited**

**U.S. PATENT DOCUMENTS**

D388,722 S \* 1/1998 Wilson ..... D10/106

**1 Claim, 3 Drawing Sheets**



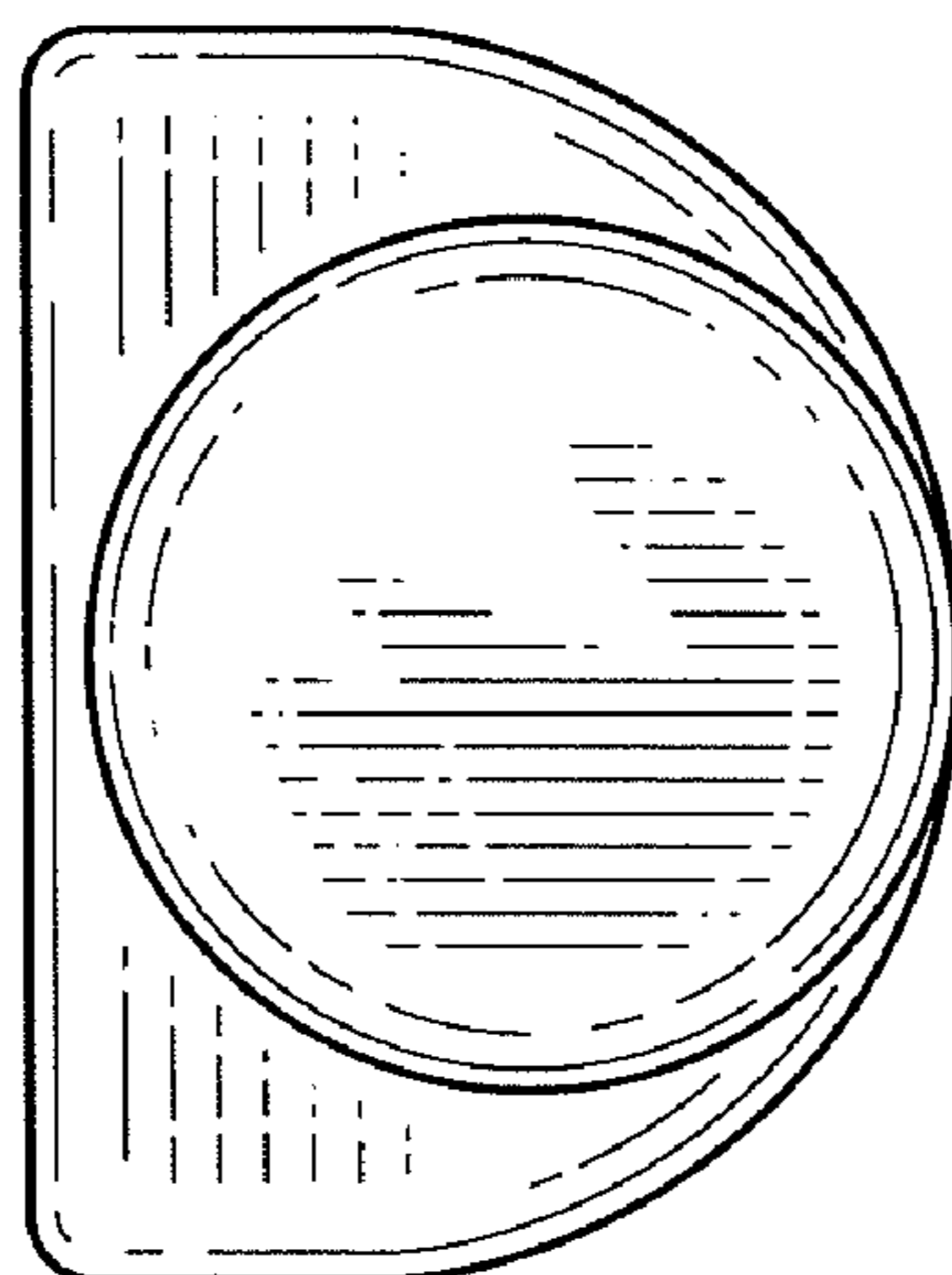


FIG. 1

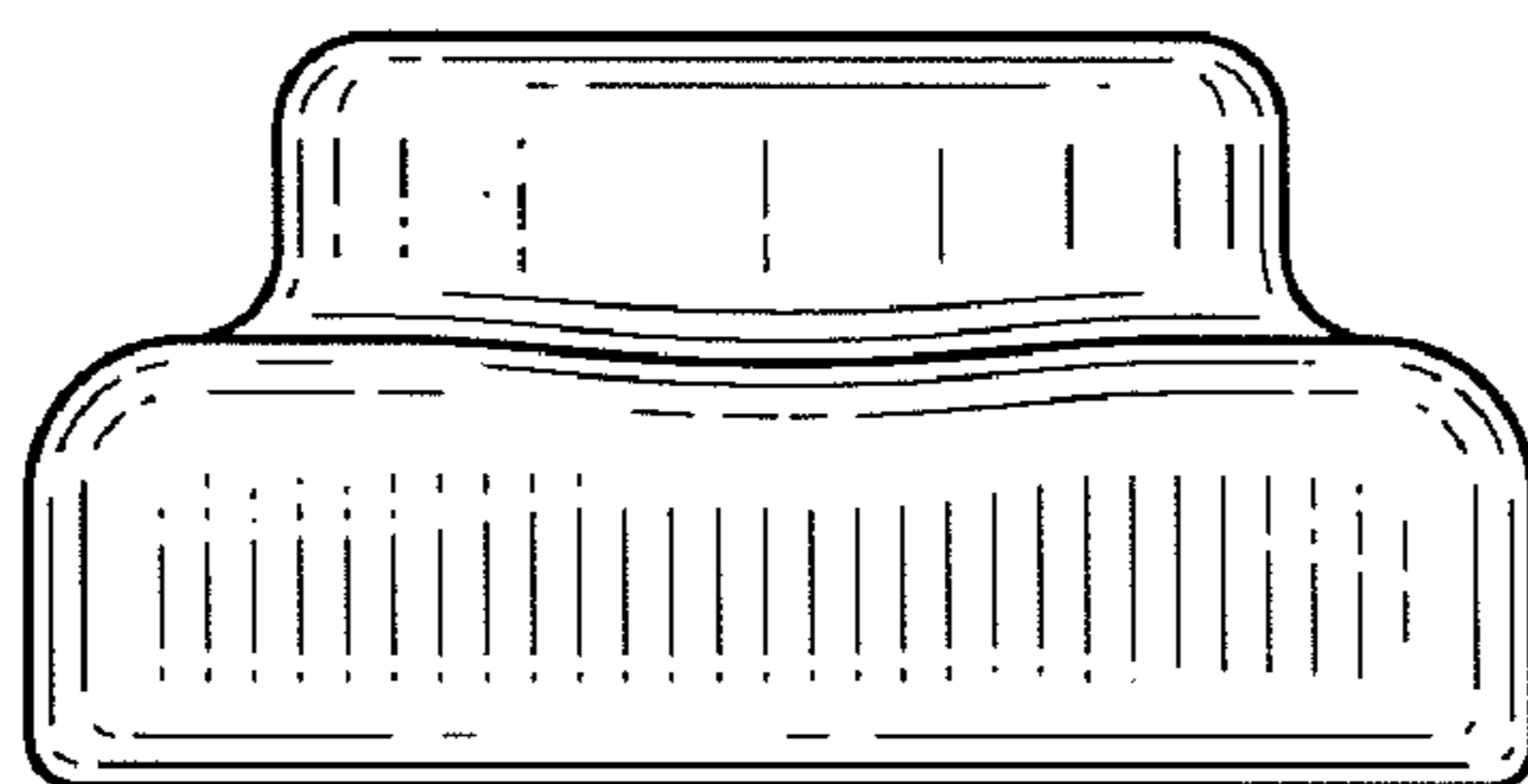


FIG. 2

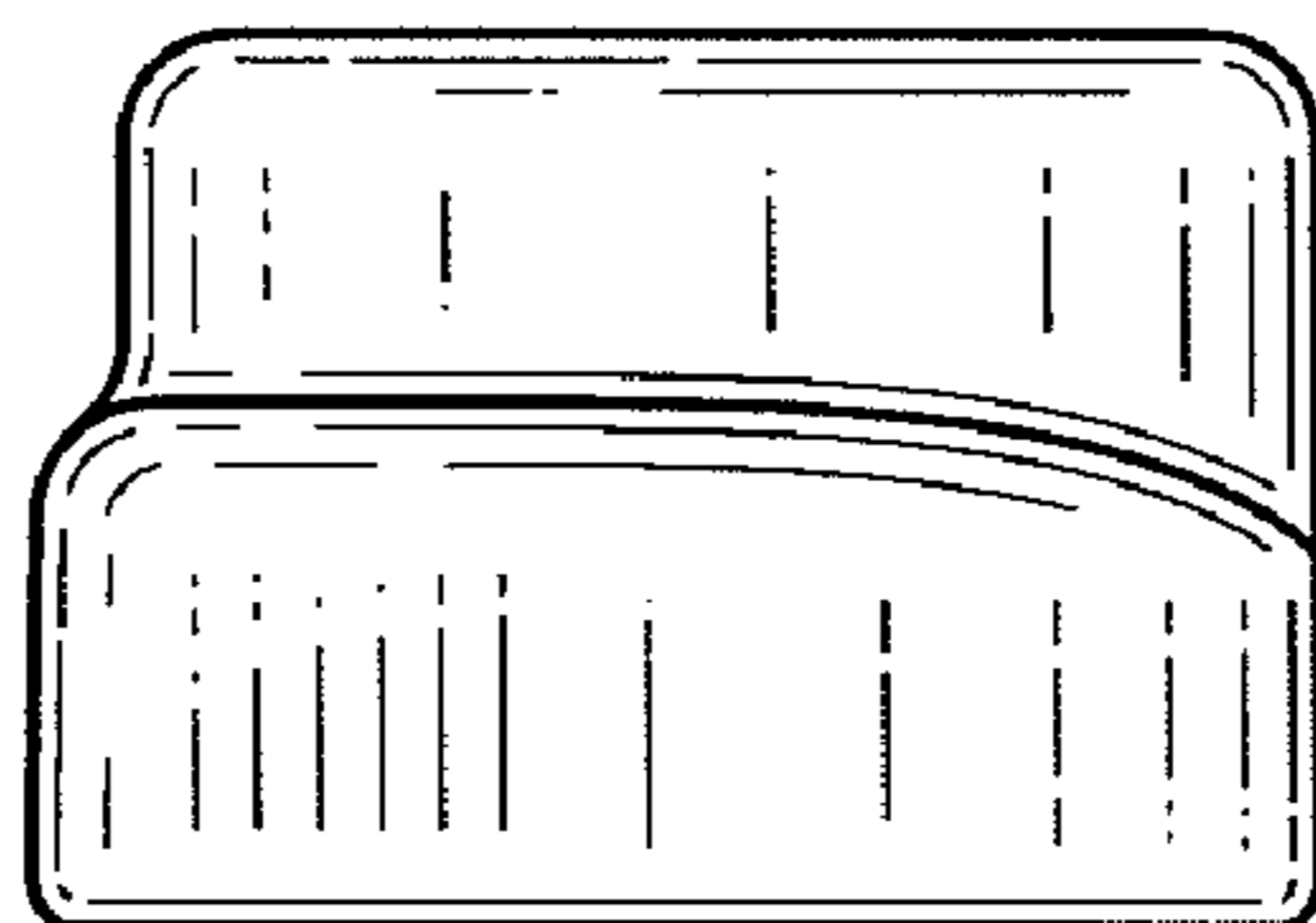


FIG. 3

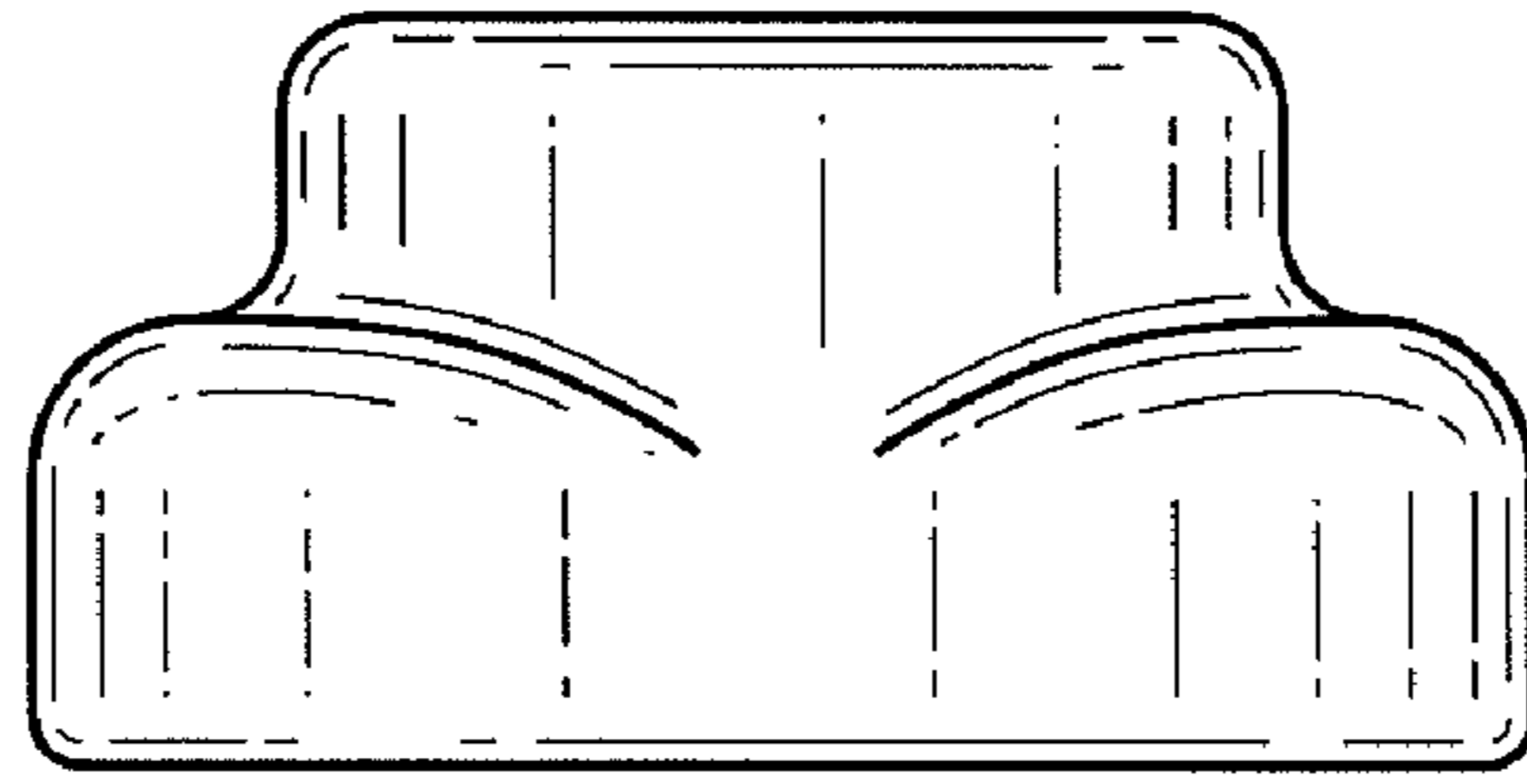


FIG. 4

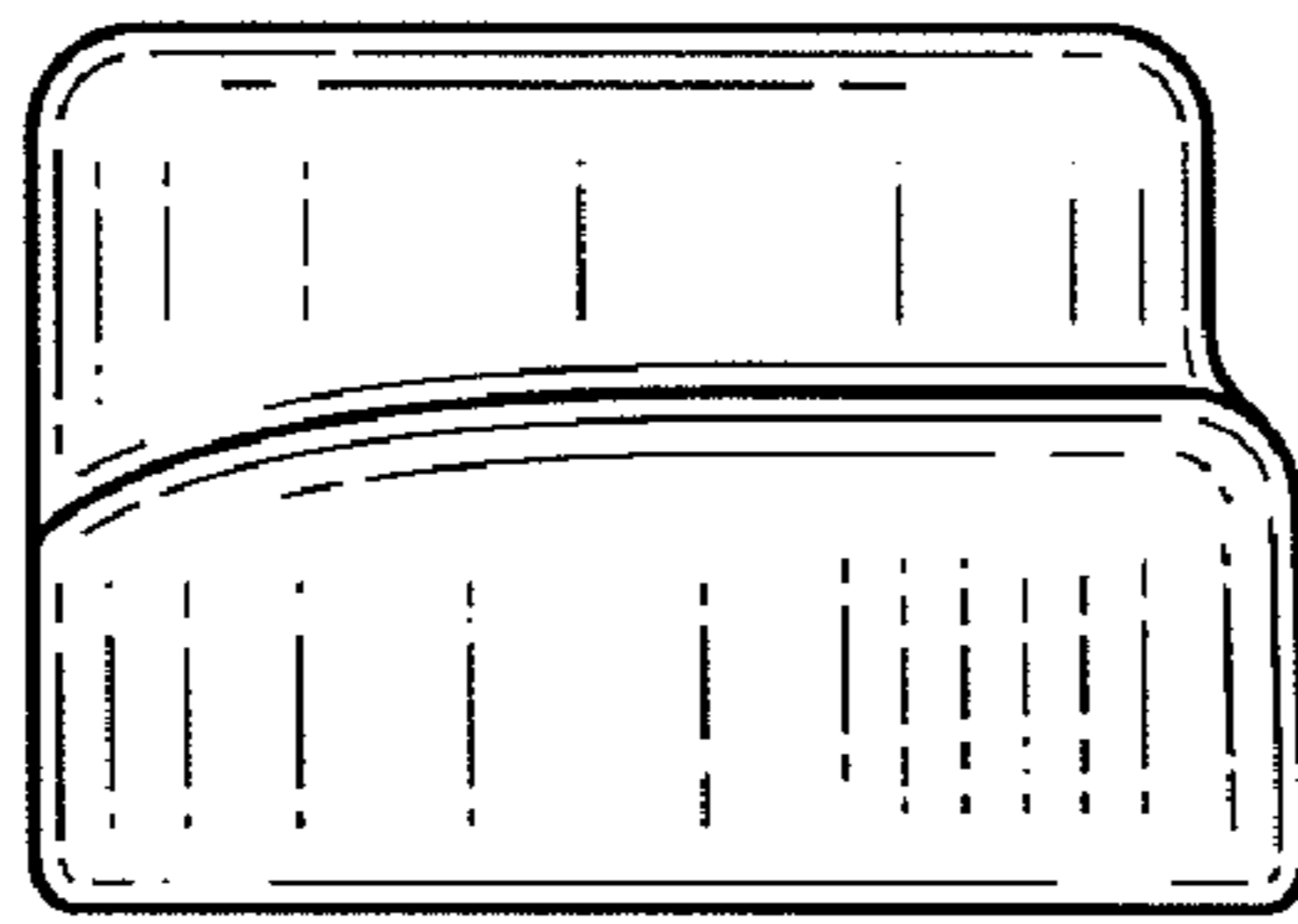


FIG. 5

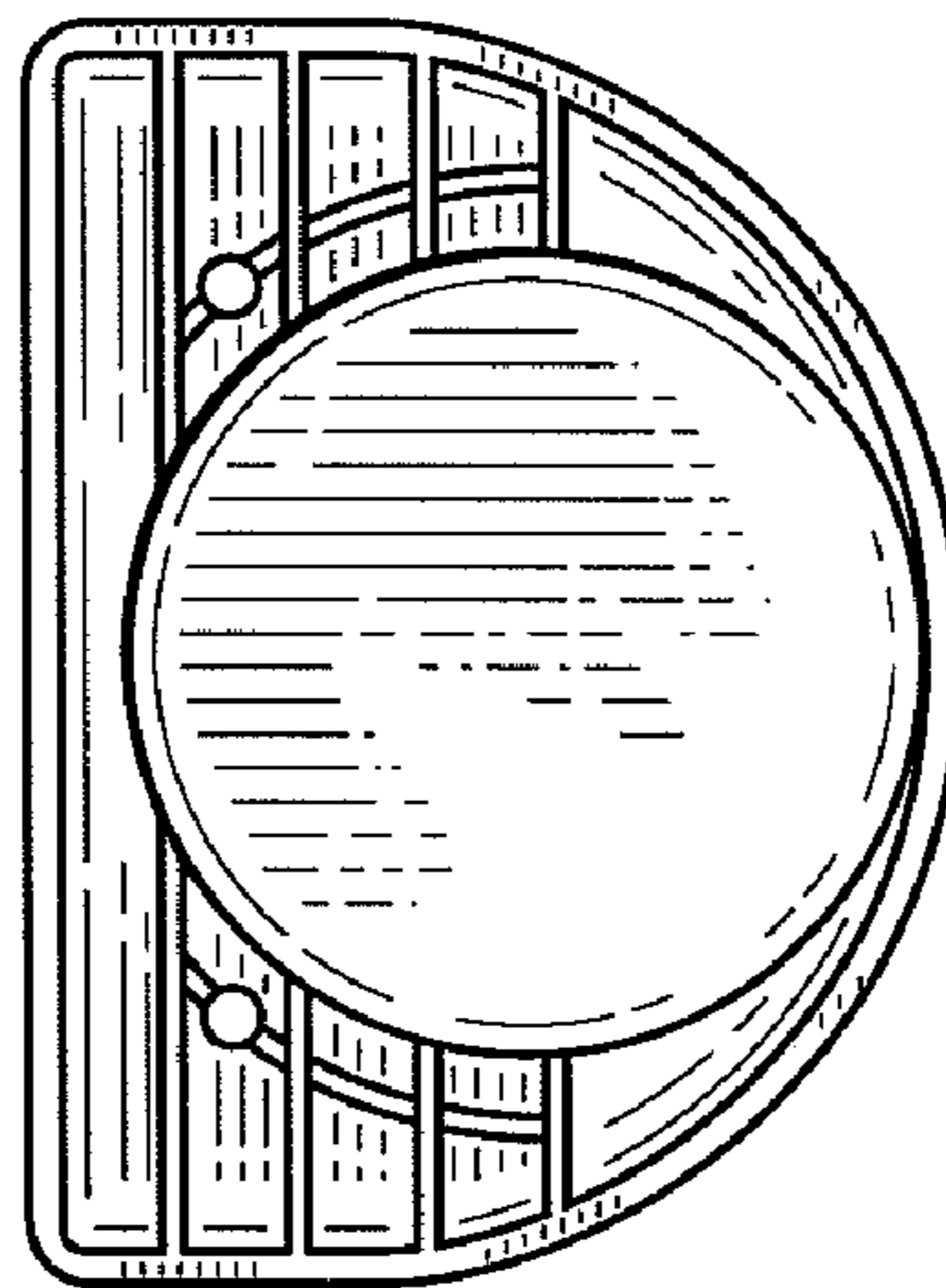


FIG. 6

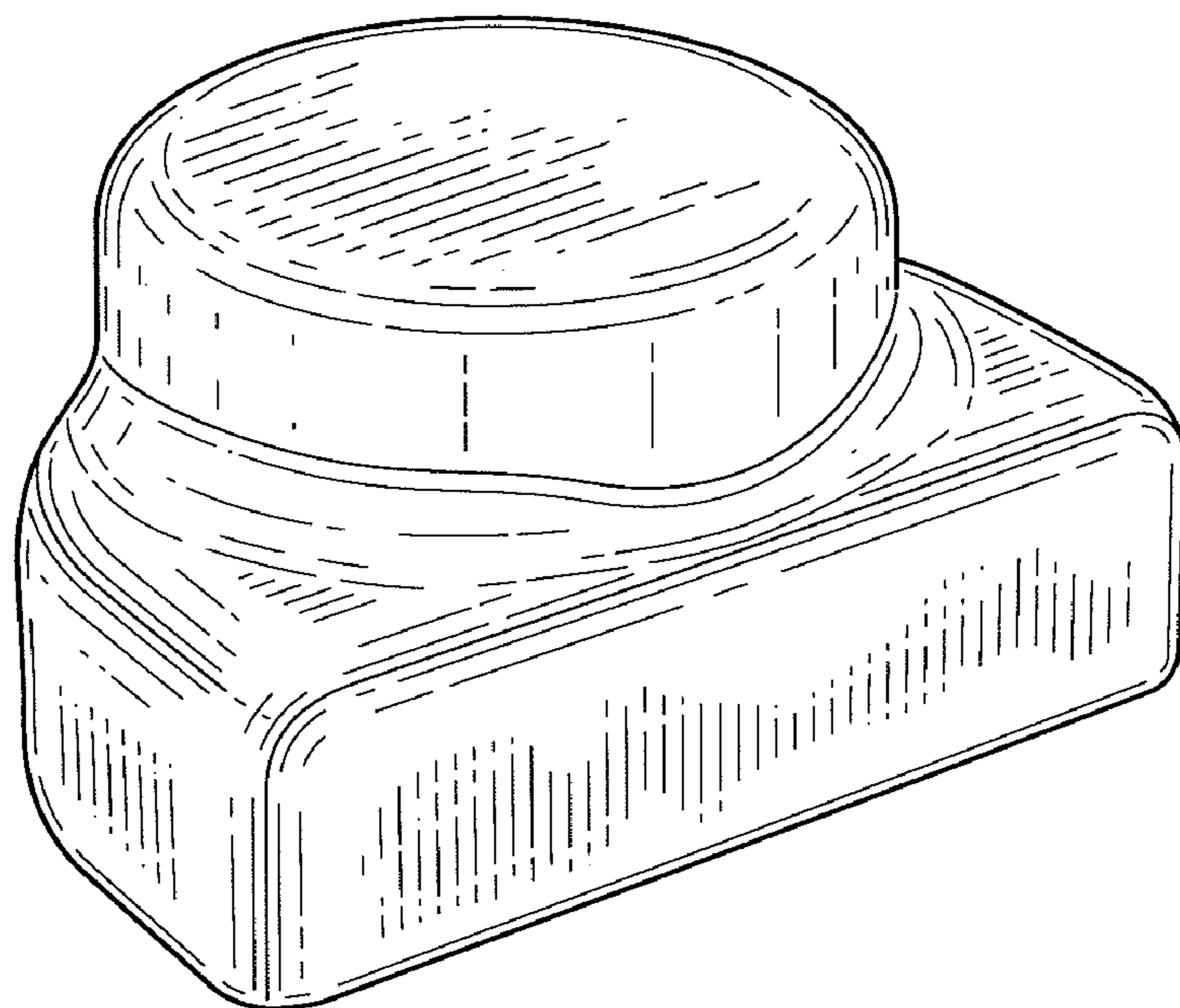


FIG. 7

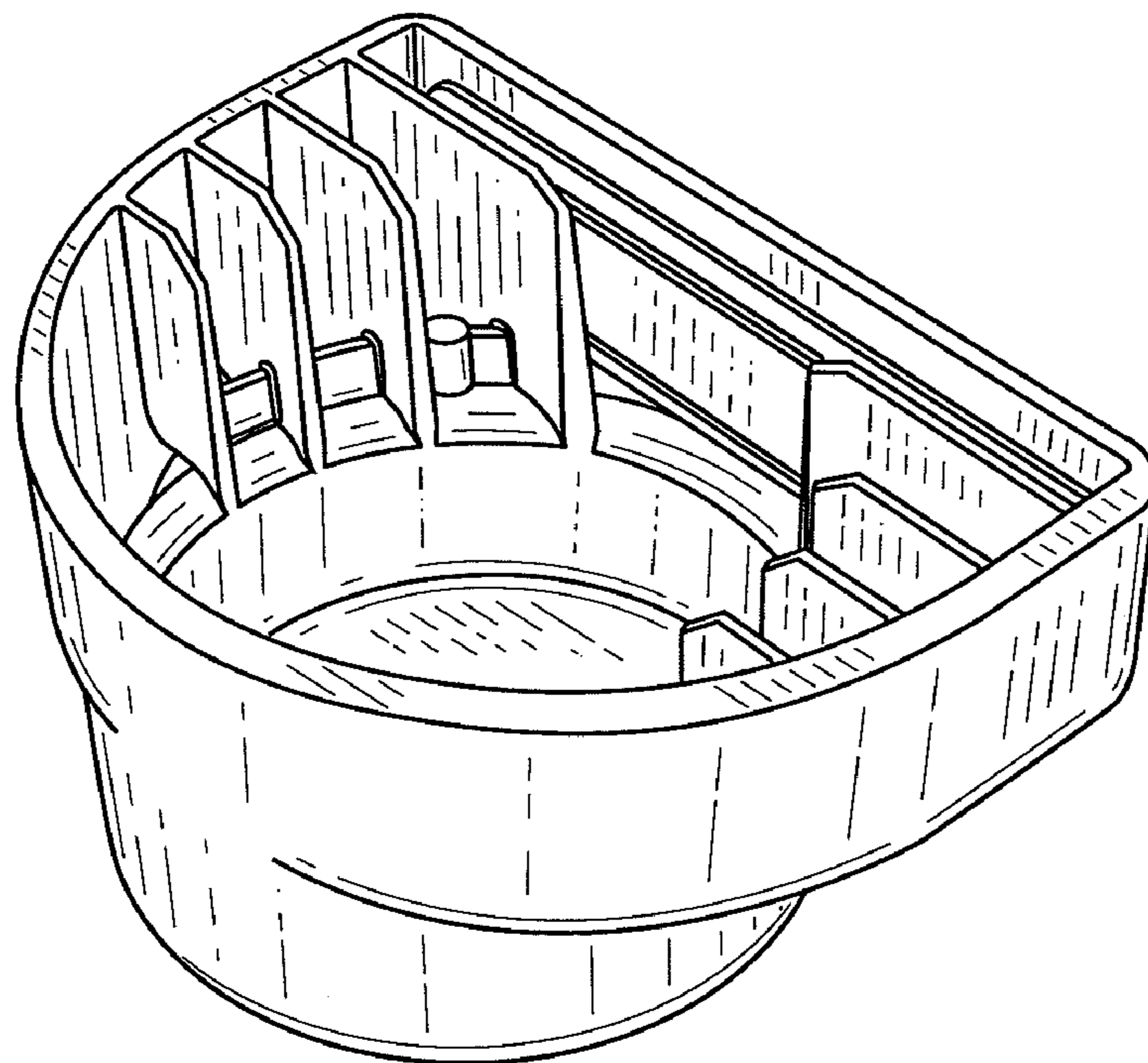


FIG. 8