



US00D610904S

(12) **United States Design Patent**
Russell et al.

(10) **Patent No.:** **US D610,904 S**
(45) **Date of Patent:** **** Mar. 2, 2010**

(54) **BOX**
(75) Inventors: **Carrie Lynn Russell**, Loveland, OH (US); **Denise Irene Siebert**, Franklin, OH (US); **Joseph Lawrence Napier**, Cincinnati, OH (US); **Paul Edward Backett**, Portland, OR (US)

(73) Assignee: **The Procter & Gamble Company**, Cincinnati, OH (US)

(**) Term: **14 Years**

(21) Appl. No.: **29/337,474**

(22) Filed: **May 22, 2009**

Related U.S. Application Data

(62) Division of application No. 29/285,223, filed on Mar. 23, 2007, now Pat. No. Des. 595,129.

(51) **LOC (9) Cl.** **09-03**

(52) **U.S. Cl.** **D9/432**

(58) **Field of Classification Search** D9/430-433, D9/414, 416, 417, 420-423, 734, 759; 206/45.21, 206/45.29, 233, 476, 525.1, 526, 750, 763, 206/774, 784; 229/100, 101, 103.3, 117, 229/117.01, 117.03-117.08, 120.02, 120.08, 229/120.13-120.18, 120.31, 120.37, 125.09, 229/125.15, 125.29, 126, 138, 155, 170, 229/221, 222, 247, 902, 904, 917, 933-937, 229/942; 221/416, 734

See application file for complete search history.

(56) **References Cited**

U.S. PATENT DOCUMENTS

- 1,262,992 A 4/1918 Stephano
- 2,005,924 A * 6/1935 Wilson 229/242
- 2,143,957 A 1/1939 Petter
- D155,883 S * 11/1949 Abraham D9/418
- 2,722,310 A 11/1955 Smith
- 3,406,816 A 10/1968 Green
- 3,670,881 A 6/1972 Dutcher

- 3,951,329 A 4/1976 Turner
- D251,546 S * 4/1979 Larsson et al. D9/432
- D259,922 S 7/1981 Seki
- 4,756,409 A 7/1988 Murray
- 4,775,097 A 10/1988 Katzman
- 4,852,796 A 8/1989 Katzman
- D311,686 S * 10/1990 Tozawa D9/423
- D317,718 S * 6/1991 Carol D9/739
- 5,076,491 A 12/1991 Freudentahl
- 5,129,545 A * 7/1992 Parks 221/34
- D328,799 S * 8/1992 Leonard D26/104
- D333,781 S * 3/1993 Kobel D9/734
- 5,195,677 A 3/1993 Quintana
- D359,681 S * 6/1995 Murphy D9/418
- 5,505,369 A 4/1996 Taliaferro
- D379,759 S * 6/1997 Mulry D9/418
- D381,901 S * 8/1997 Alig et al. D9/414
- 6,047,833 A * 4/2000 Salomon 206/765
- D446,717 S * 8/2001 Lancaster et al. D9/418

(Continued)

Primary Examiner—Robert M Spear

Assistant Examiner—Karen Acker

(57) **CLAIM**

The ornamental design for a box, as shown and described.

DESCRIPTION

FIG. 1 is a front perspective view of a box, incorporating our new design;

FIG. 2 is a front elevational view thereof;

FIG. 3 is a rear elevational view thereof;

FIG. 4 a right side elevational view thereof;

FIG. 5 is a left side elevational view thereof;

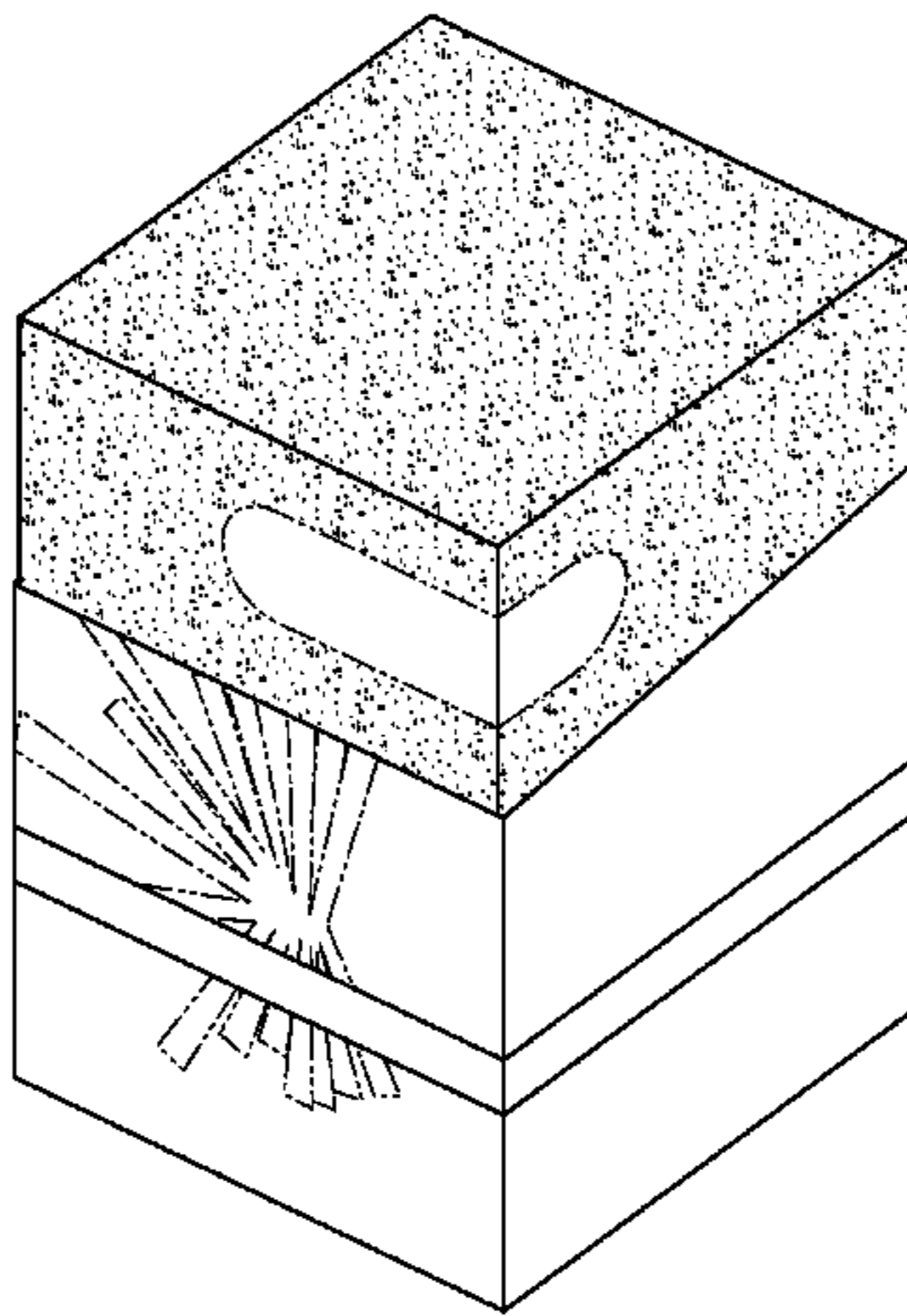
FIG. 6 is a top plan view thereof; and,

FIG. 7 is a bottom plan view thereof.

The broken lines in the drawing represent unclaimed environmental material.

The dotted sections in the drawing represent translucent material.

1 Claim, 4 Drawing Sheets



US D610,904 S

Page 2

U.S. PATENT DOCUMENTS

D450,579 S	11/2001	Lancman							
D456,709 S *	5/2002	Dionisio	D9/418	D543,450 S *	5/2007	Watzig et al.	D9/418	
D459,221 S *	6/2002	Springer et al.	D9/734	7,213,711 B2 *	5/2007	Wang	206/776
D464,885 S *	10/2002	Weinstein et al.	D9/432	D551,969 S *	10/2007	Aurilio et al.	D9/432
6,672,475 B1 *	1/2004	Ho et al.	221/45	D581,805 S *	12/2008	Suxdorf	D9/685
D491,097 S *	6/2004	Johnson	D11/121	2007/0170197 A1 *	7/2007	Decker et al.	221/63
6,959,834 B2 *	11/2005	McDonald	221/63	2008/0197182 A1 *	8/2008	Jackson	229/247
					2008/0264828 A1 *	10/2008	Benson et al.	206/776

* cited by examiner

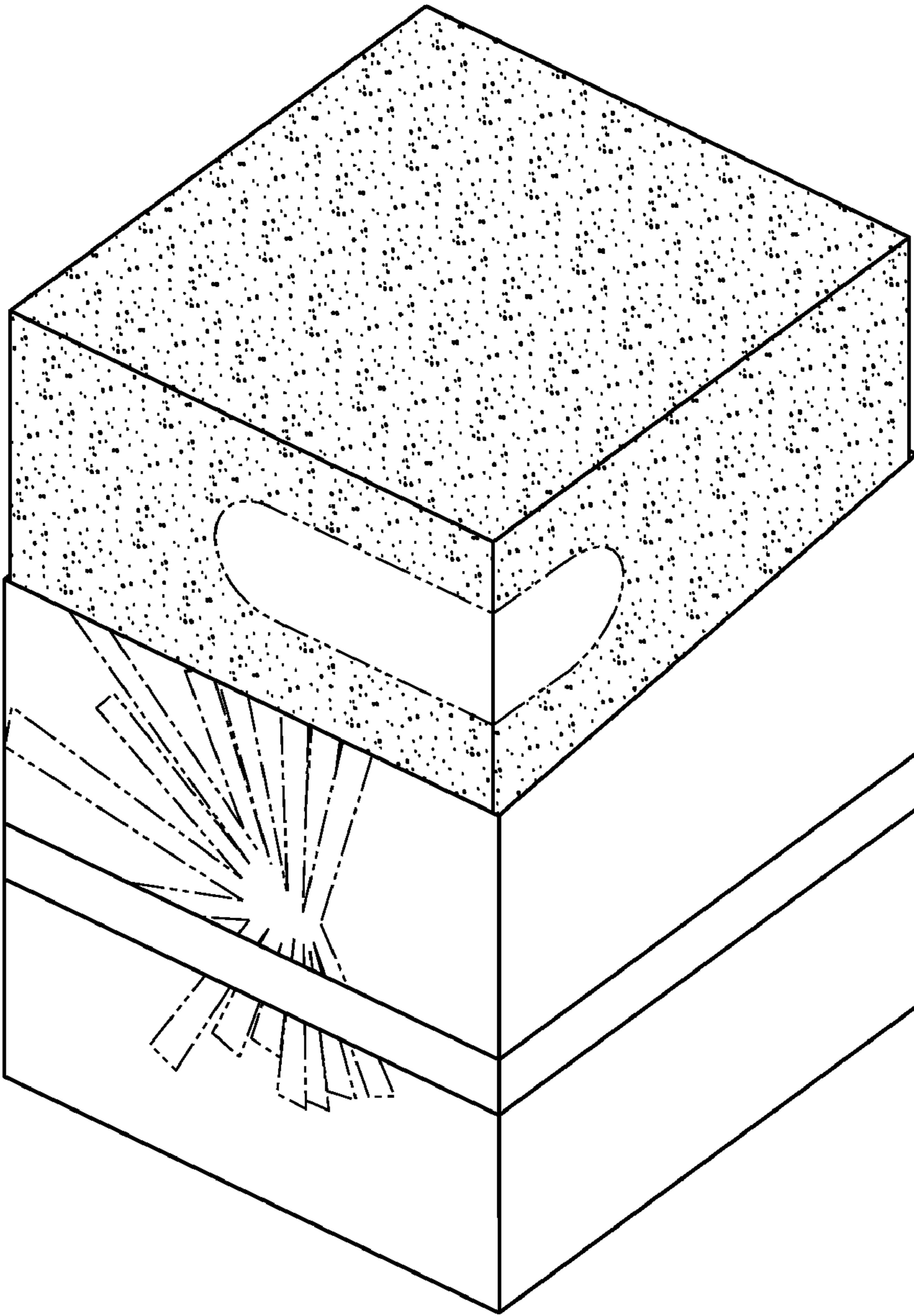


Fig. 1

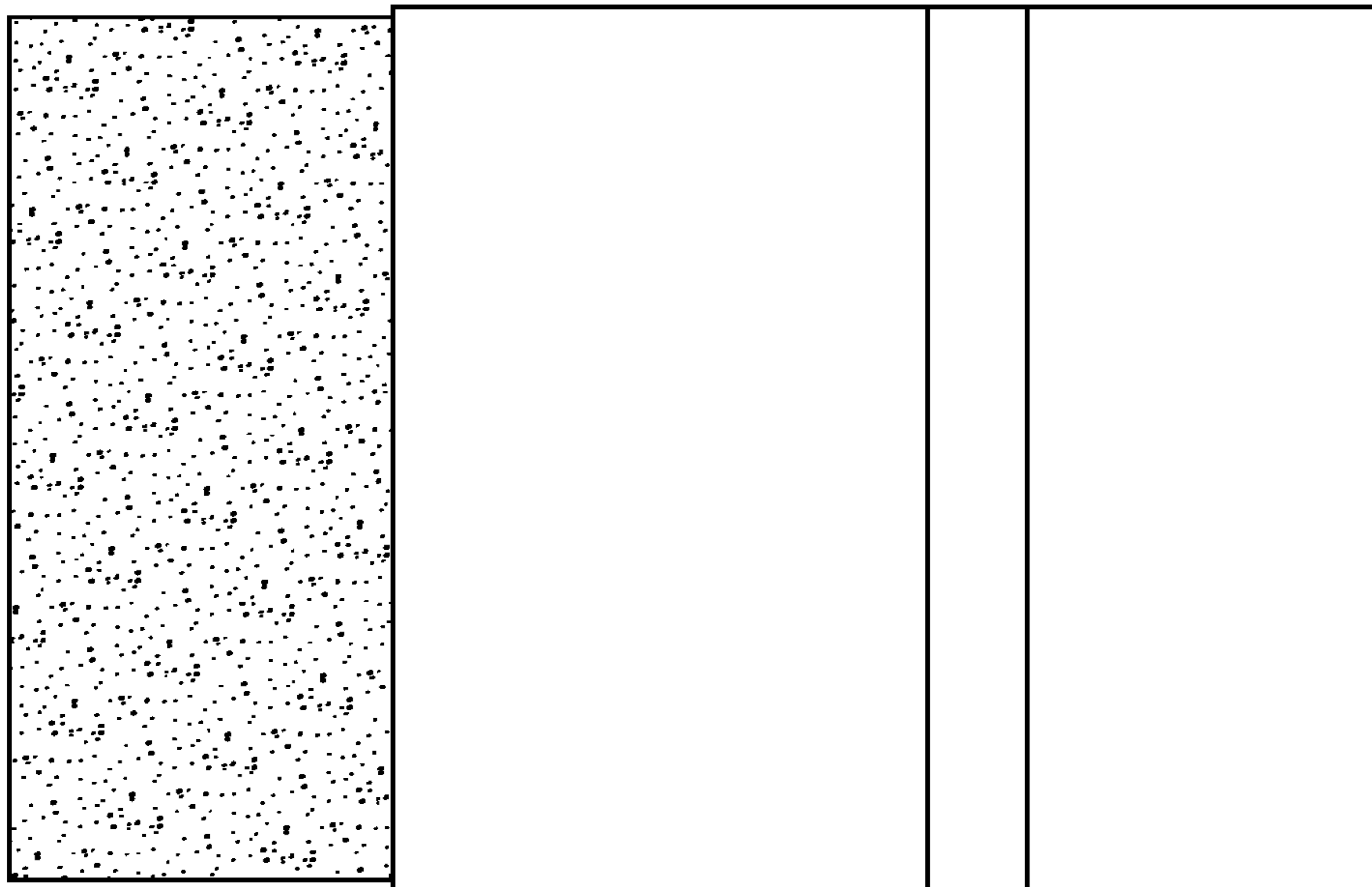


Fig. 3

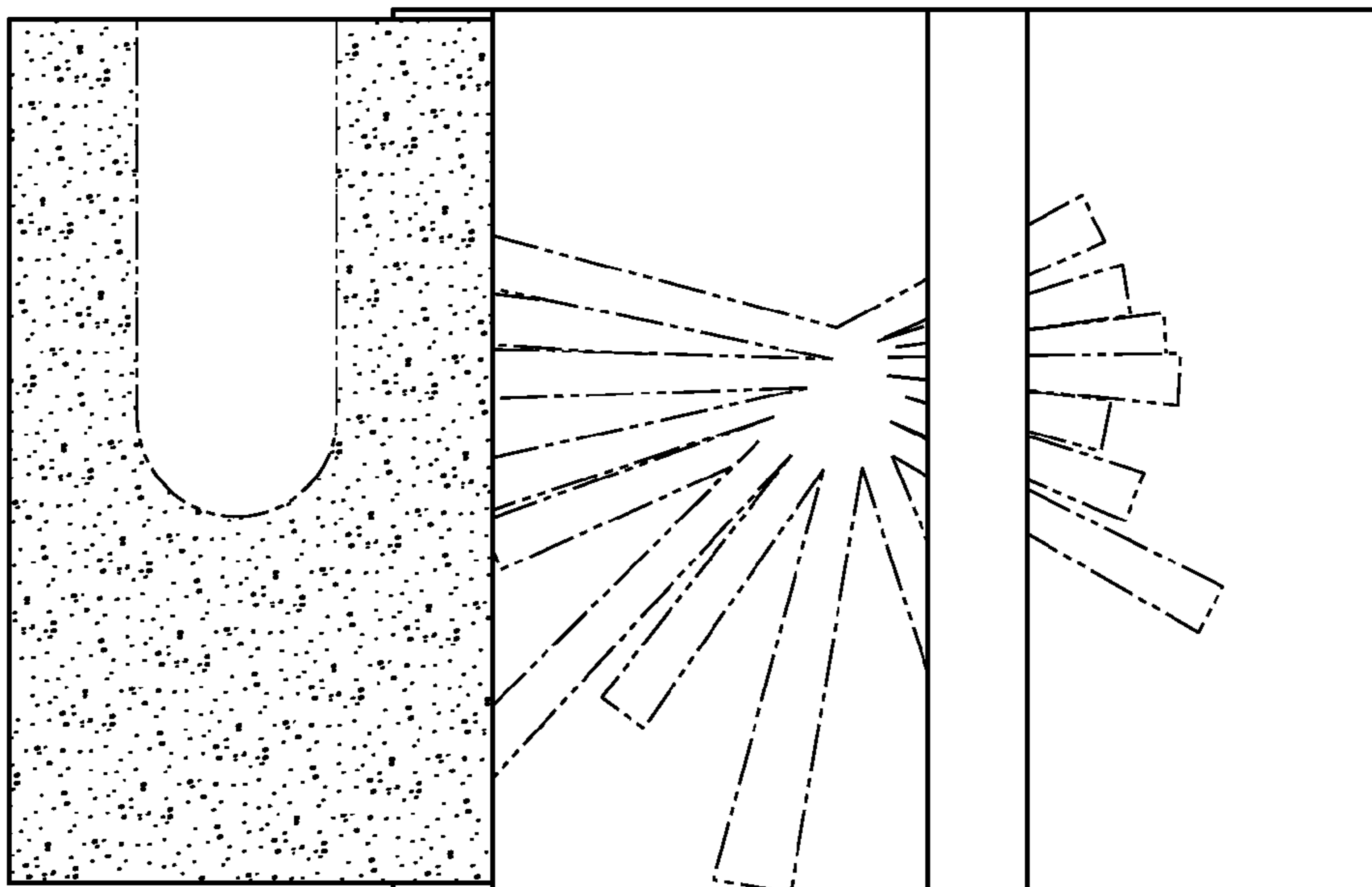


Fig. 2

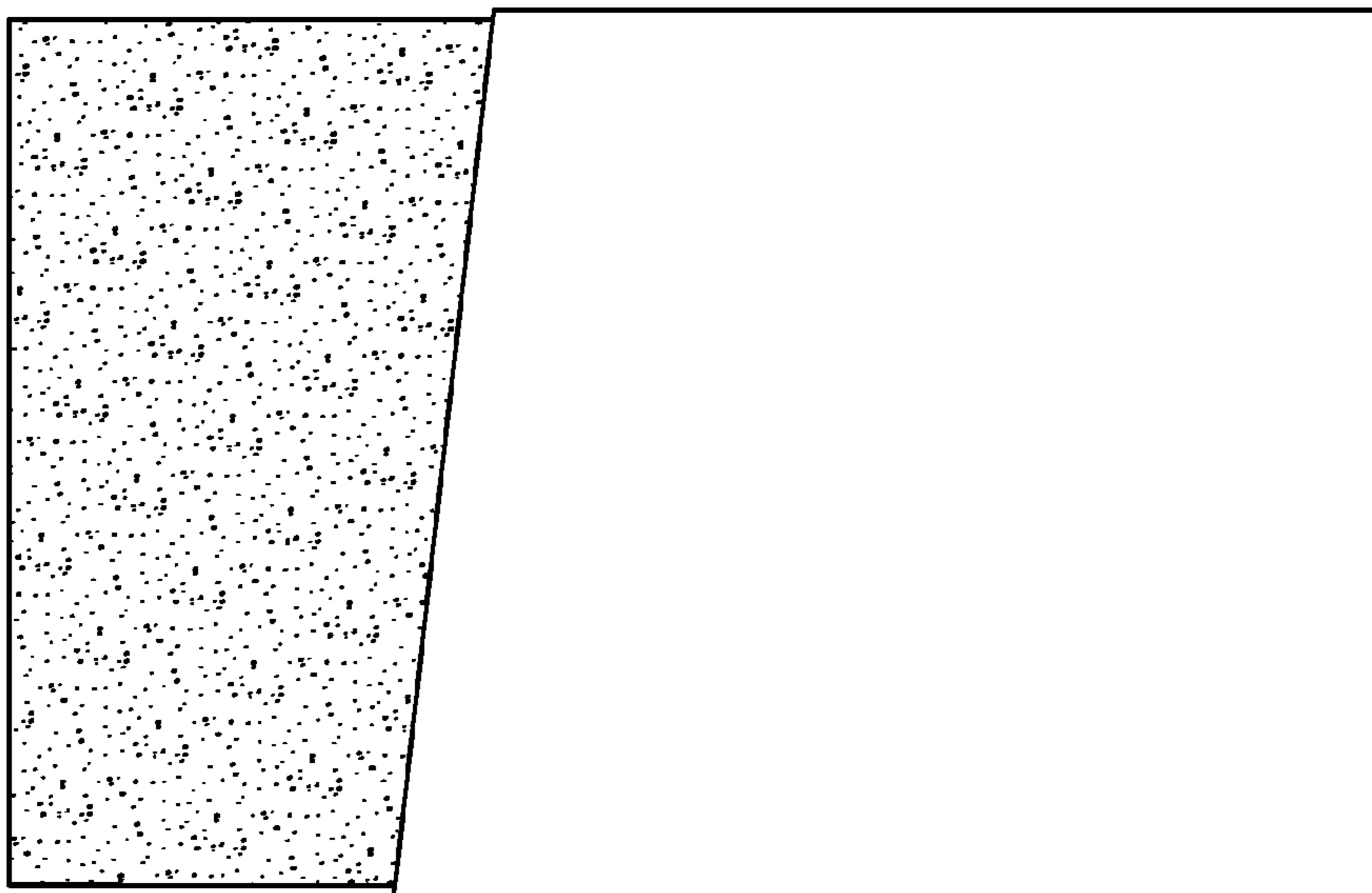


Fig. 5

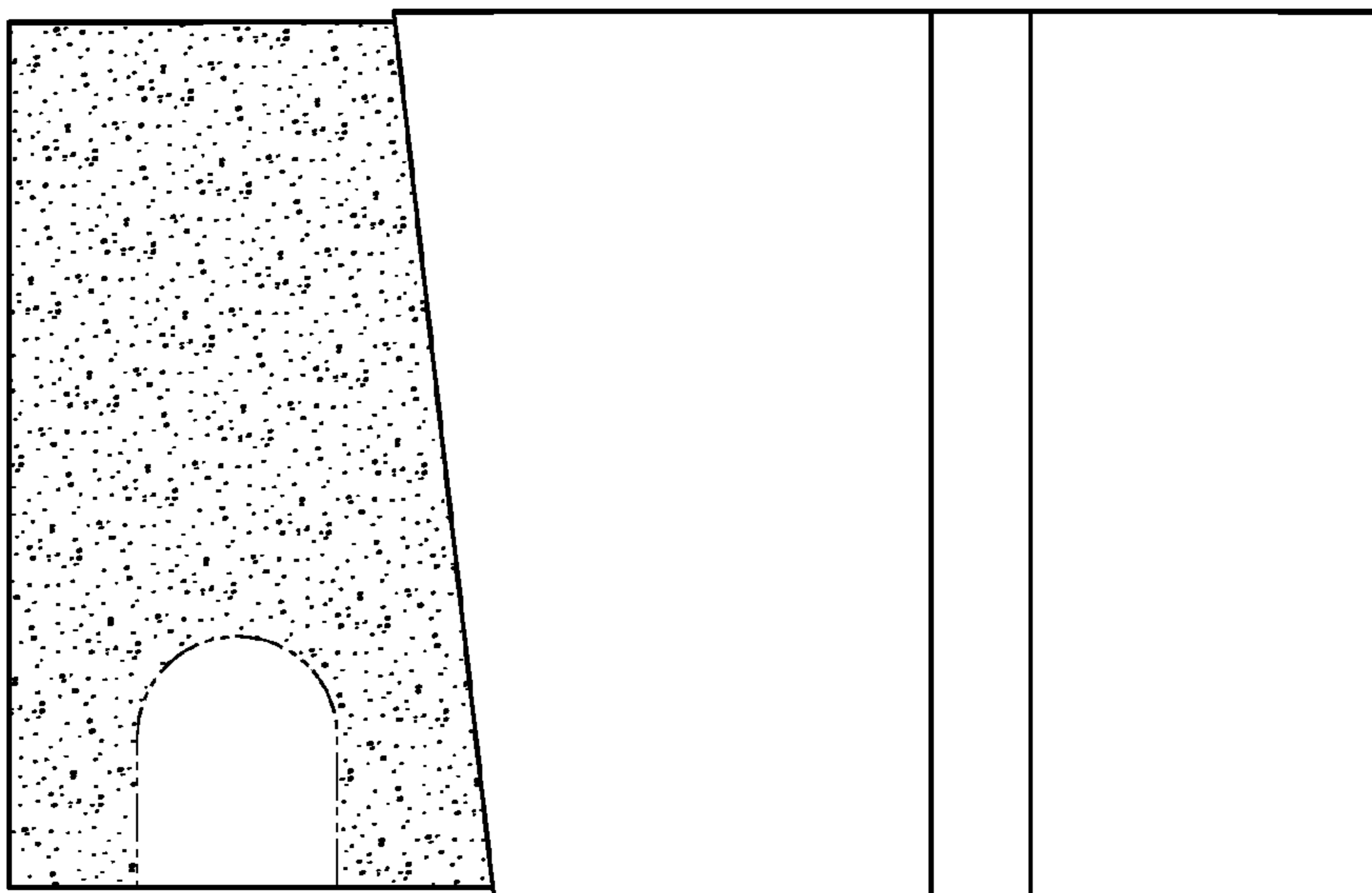


Fig. 4

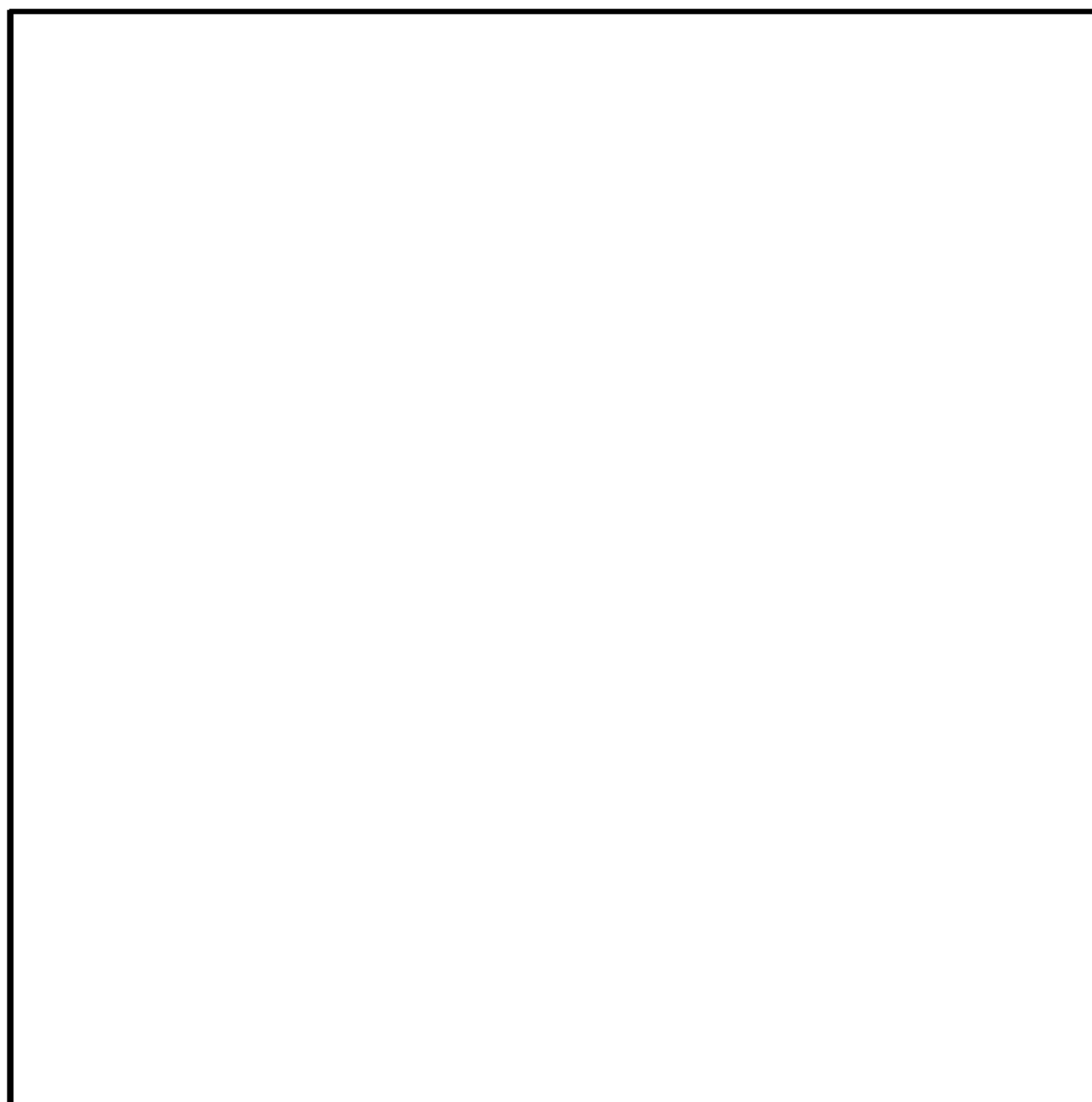


Fig. 7

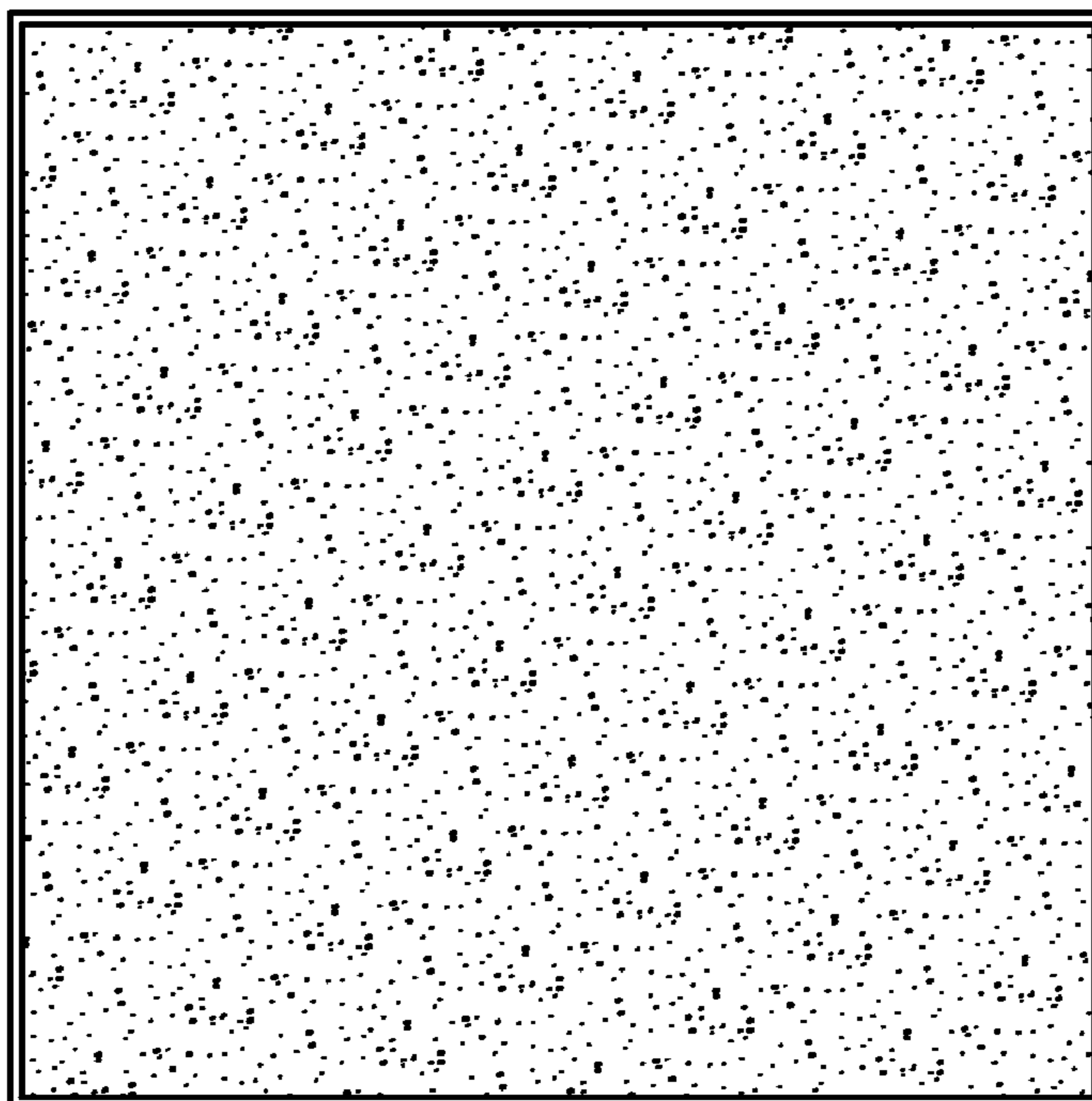


Fig. 6