



US00D610903S

(12) **United States Design Patent**
Shapiro et al.

(10) **Patent No.:** **US D610,903 S**
(45) **Date of Patent:** **** Mar. 2, 2010**

(54) **CONTAINER ASSEMBLY**

FOREIGN PATENT DOCUMENTS

(75) Inventors: **Catherine M. Shapiro**, Omaha, NE (US); **Jess C. Sweley**, Omaha, NE (US); **Brian M. Degner**, Omaha, NE (US); **Darin Charles Koestring**, Evansville, IL (US); **Todd Preston Yunker**, Evansville, IL (US); **Kenneth Paul Meissbach**, Lawrence, KS (US)

EP 0 449 643 A1 10/1991

(Continued)

(73) Assignee: **ConAgra Foods RDM, Inc.**, Omaha, NE (US)

OTHER PUBLICATIONS

“Cafe Steamers,” HealthyChoice.com, http://www.healthychoice.com/products/meals/cafe_steamers.jsp (Retrieved Aug. 2007).

(Continued)

(**) Term: **14 Years**

Primary Examiner—Philip S Hyder
Assistant Examiner—Susan E Krakower

(21) Appl. No.: **29/324,487**

(74) *Attorney, Agent, or Firm*—Merchant & Gould; Kevin E. West

(22) Filed: **Sep. 12, 2008**

(57) **CLAIM**

Related U.S. Application Data

The ornamental design for a container assembly, as shown.

(63) Continuation of application No. 12/040,641, filed on Feb. 29, 2008.

DESCRIPTION

(51) **LOC (9) Cl.** **09-03**

FIG. 1 is a perspective view of a container assembly showing our new design.

(52) **U.S. Cl.** **D9/428**

FIG. 2 is a top plan view of the container assembly of FIG. 1. FIG. 3 is a bottom plan view of the container assembly of FIG. 1.

(58) **Field of Classification Search** D9/414–416, D9/418–420, 423–428, 430–432, 434, 435; D7/354, 392.1, 394, 396.1, 538, 543–545, D7/550.1, 551, 554.3, 587, 566, 575, 584, D7/586, 629, 667; 220/4.22–4.24, 574, 604–608, 220/659, 675, 781–782, 793, 835, 839, DIG. 14; 206/119, 470, 508, 545, 806; 229/406; 219/725, 219/735; D23/359; D3/302, 314

FIG. 4 is a left elevation view of the container assembly of FIG. 1.

See application file for complete search history.

FIG. 5 is a right elevation view of the container assembly of FIG. 1.

(56) **References Cited**

FIG. 6 is a back elevation view of the container assembly of FIG. 1; and,

U.S. PATENT DOCUMENTS

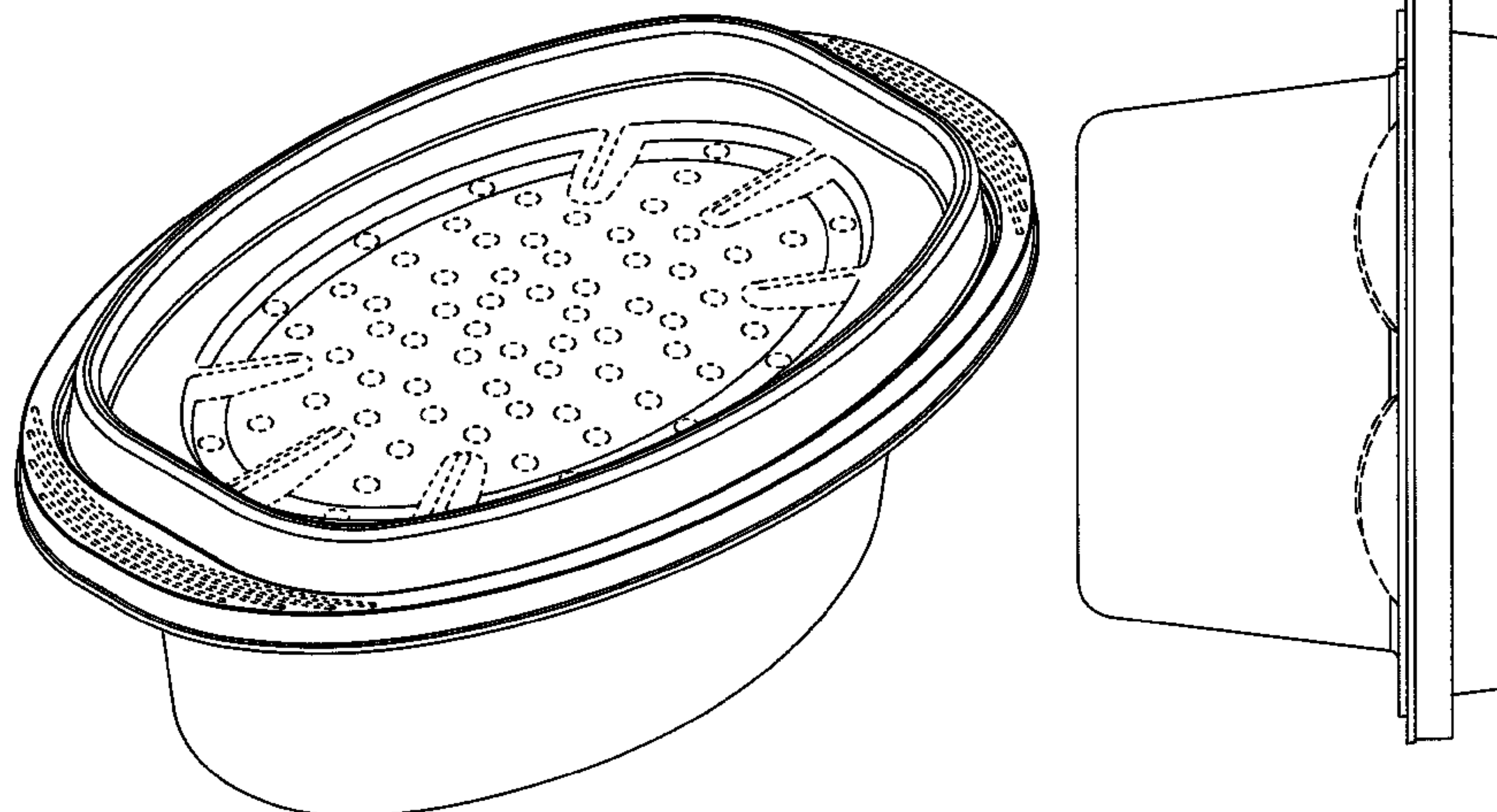
FIG. 7 is a front elevation view of the container assembly of FIG. 1.

1,099,603 A 6/1914 Ingersoll

It is understood that the surfaces that surround the features shown in broken lines form part of the claimed design.

(Continued)

1 Claim, 5 Drawing Sheets



US D610,903 S

Page 2

U.S. PATENT DOCUMENTS					
1,476,910 A	12/1923	Naugle	4,477,705 A	10/1984	Danley et al.
1,906,592 A	5/1933	Hiester	4,478,349 A	10/1984	Haverland, Jr. et al.
2,039,374 A	5/1936	Young	4,481,392 A	11/1984	Nibbe et al.
2,271,921 A	2/1942	Luker	4,486,640 A	12/1984	Bowen et al.
2,290,396 A	7/1942	Webster	4,496,815 A	1/1985	Jorgensen
2,540,036 A	1/1951	Spencer	4,532,397 A	7/1985	McClelland
2,559,101 A	7/1951	Wool	4,612,431 A	9/1986	Brown et al.
2,576,862 A	11/1951	Smith et al.	4,661,672 A	4/1987	Nakanaga
2,591,578 A	4/1952	McNealy et al.	4,703,148 A	10/1987	Mikulski et al.
2,600,566 A	6/1952	Moffett	4,703,149 A	10/1987	Sugisawa et al.
2,660,529 A	11/1953	Bloom	4,745,249 A	5/1988	Daniels
2,667,422 A	1/1954	Kauffman	4,777,053 A	10/1988	Tobelmann et al.
2,714,070 A	7/1955	Welch	4,794,005 A	12/1988	Swiontek
D185,399 S	6/1959	Tupper	4,803,088 A	2/1989	Yamamoto et al.
2,960,218 A	11/1960	Cheeley	4,842,876 A	6/1989	Anderson et al.
2,961,520 A	11/1960	Long	4,848,579 A	7/1989	Barnes et al.
3,012,895 A	12/1961	Stelnicki	4,853,505 A	8/1989	Sorenson
3,141,400 A	7/1964	Powers	4,853,509 A	8/1989	Murakami
3,179,036 A	4/1965	Luker	4,870,233 A	9/1989	McDonald et al.
3,191,520 A	6/1965	Halter	4,873,919 A	10/1989	Janssen
3,219,460 A	11/1965	Brown	4,899,925 A	2/1990	Bowden et al.
3,220,856 A	11/1965	Vischer	4,923,704 A	5/1990	Levinson
3,240,610 A	3/1966	Cease	4,924,048 A	5/1990	Bunce et al.
3,244,537 A	4/1966	Cease	4,935,592 A	6/1990	Oppenheimer
3,246,446 A	4/1966	Powers	4,939,332 A	7/1990	Hahn
3,262,668 A	7/1966	Luker	4,952,765 A	8/1990	Toyosawa
3,271,169 A	9/1966	Baker et al.	4,960,598 A	10/1990	Swiontek
3,287,140 A	11/1966	Brussell	4,961,944 A	10/1990	Matoba et al.
3,421,654 A	1/1969	Hexel	4,963,708 A	10/1990	Kearns et al.
3,445,050 A	5/1969	Peters et al.	D312,189 S	11/1990	Noel
3,521,788 A	7/1970	Carter et al.	4,987,280 A	1/1991	Kanafani et al.
3,547,661 A	12/1970	Stevenson	4,990,349 A	2/1991	Chawan et al.
3,610,135 A	10/1971	Sheridan	4,992,638 A	2/1991	Hewitt et al.
3,610,458 A	10/1971	Nissley	5,025,715 A	6/1991	Sir
3,615,646 A	10/1971	Neely et al.	5,026,958 A	6/1991	Palacios
3,669,688 A	6/1972	Thompson	5,041,295 A	8/1991	Perry et al.
3,718,480 A	2/1973	Tremblay et al.	5,050,791 A	9/1991	Bowden et al.
3,811,374 A	5/1974	Mann	5,052,369 A	10/1991	Johnson
3,836,042 A	9/1974	Petitto	5,057,331 A	10/1991	Levinson
3,865,301 A	2/1975	Pothier et al.	D321,302 S	11/1991	Zimmerman
3,881,027 A	4/1975	Levinson	5,063,072 A	11/1991	Gillmore et al.
3,884,213 A	5/1975	Smith	5,075,526 A	12/1991	Sklenak et al.
3,884,383 A	5/1975	Burch et al.	5,077,066 A	12/1991	Mattson et al.
3,908,029 A	9/1975	Fredrickson	5,094,865 A	3/1992	Levinson
3,941,967 A	3/1976	Sumi et al.	5,106,635 A	4/1992	McCutchan et al.
3,965,323 A	6/1976	Forker, Jr. et al.	5,107,087 A	4/1992	Yamada et al.
3,974,353 A	8/1976	Goltsos	5,108,768 A	4/1992	So
3,975,552 A	8/1976	Stangroom	5,176,284 A	1/1993	Sorensen
3,983,256 A	9/1976	Norris et al.	5,190,777 A	3/1993	Anderson et al.
3,985,990 A	10/1976	Levinson	5,223,291 A	6/1993	Levinson et al.
4,018,355 A	4/1977	Ando	5,230,914 A	7/1993	Akervik
4,031,261 A	6/1977	Durst	5,241,149 A	8/1993	Watanbe et al.
4,065,583 A	12/1977	Ahlgren	5,300,747 A	4/1994	Simon
4,096,948 A	6/1978	Kuchenbecker	5,315,083 A	5/1994	Green
4,113,095 A	9/1978	Dietz et al.	D353,303 S	12/1994	Davis
4,126,945 A	11/1978	Manser et al.	5,370,042 A	12/1994	Tolchin et al.
4,133,896 A	1/1979	Standing et al.	5,423,453 A	6/1995	Fritz
4,154,860 A	5/1979	Daswick	D370,598 S	6/1996	Koch
4,186,217 A	1/1980	Tchack	D371,963 S *	7/1996	Ahern, Jr. D9/428
4,228,945 A	10/1980	Wysocki	5,558,798 A	9/1996	Tsai
4,233,325 A	11/1980	Slangan et al.	D376,512 S *	12/1996	Klemme D7/538
4,280,032 A	7/1981	Levinson	5,588,587 A	12/1996	Stier et al.
4,306,133 A	12/1981	Levinson	5,645,300 A	7/1997	Hill
4,317,017 A	2/1982	Bowen	D384,555 S	10/1997	Bradley
4,328,254 A	5/1982	Waldburger	5,674,546 A	10/1997	Barnes et al.
4,348,421 A	9/1982	Sakakibara et al.	D386,042 S	11/1997	Miller
4,351,997 A	9/1982	Mattisson et al.	3,353,707 A	11/1997	Eyles 206/519
4,390,555 A	6/1983	Levinson	5,695,801 A	12/1997	Oh
4,416,906 A	11/1983	Watkins	5,698,306 A	12/1997	Prosise et al.
4,425,368 A	1/1984	Watkins	5,726,426 A	3/1998	Davis et al.
4,439,656 A	3/1984	Peleg	5,741,534 A	4/1998	Chung
			5,747,086 A	5/1998	Bows et al.
			5,770,840 A	6/1998	Lorence

US D610,903 S

Page 3

5,807,597	A	9/1998	Barnes et al.	
5,876,811	A	3/1999	Blackwell et al.	
5,900,264	A	5/1999	Gies	
5,916,470	A	6/1999	Besser et al.	
5,916,620	A	6/1999	Oh	
5,925,281	A	7/1999	Levinson	
5,961,872	A	10/1999	Simon et al.	
5,988,045	A	11/1999	Housley	
D418,017	S	12/1999	Henry	
6,018,157	A	1/2000	Craft	
D422,176	S *	4/2000	Laib	D7/392.1
6,097,017	A	8/2000	Pickford	
6,106,882	A	8/2000	Oh et al.	
D432,914	S	10/2000	Hayes et al.	
6,126,976	A	10/2000	Hasse, Jr. et al.	
6,136,355	A	10/2000	Fukuyama	
6,147,337	A	11/2000	Besser	
6,150,646	A	11/2000	Lai et al.	
6,168,044	B1	1/2001	Zettle et al.	
6,175,105	B1	1/2001	Rubbright et al.	
6,180,148	B1	1/2001	Yajima	
6,180,150	B1	1/2001	Schäfer	
6,183,789	B1	2/2001	Nilsson et al.	
6,187,354	B1	2/2001	Hopkins	
6,192,792	B1	2/2001	Gremillion	
6,196,406	B1	3/2001	Ennis	
6,217,918	B1	4/2001	Oh et al.	
D441,597	S	5/2001	Wyche	
D442,425	S	5/2001	Wyche	
6,229,131	B1	5/2001	Koochaki	
D445,633	S	7/2001	Bradley	
D449,495	S *	10/2001	Tucker et al.	D7/629
6,309,684	B2	10/2001	Hopkins, Sr.	
6,455,084	B2	9/2002	Johns	
6,463,844	B1	10/2002	Wang et al.	
6,467,399	B1	10/2002	Boutte	
6,486,455	B1	11/2002	Merabet	
D466,762	S *	12/2002	Cote et al.	D7/545
6,509,047	B2	1/2003	Edomwonyi	
D470,768	S *	2/2003	Melhede	D9/428
6,559,431	B2	5/2003	Hopkins	
D477,187	S	7/2003	McCallister et al.	
6,608,292	B1	8/2003	Barnes	
6,645,539	B2	11/2003	Bukowski et al.	
6,727,484	B2	4/2004	Policappelli	
D497,774	S *	11/2004	Smith et al.	D7/543
6,818,873	B2	11/2004	Savage et al.	
D508,822	S *	8/2005	Smith et al.	D7/545
7,022,359	B2	4/2006	Montserrat Gibernau	
D521,380	S	5/2006	Jackson et al.	
7,038,181	B2	5/2006	Edmark	
7,045,190	B2	5/2006	Inagaki et al.	
7,090,090	B2	8/2006	Ohyama	
D529,797	S *	10/2006	Wilcox et al.	D9/428
D563,157	S	3/2008	Bouveret et al.	
D564,287	S	3/2008	Bouveret et al.	
D571,656	S *	6/2008	Maslowski	D9/425
D584,145	S	1/2009	Young	
D590,663	S *	4/2009	Simon et al.	D7/545
D591,591	S *	5/2009	Moecks et al.	D9/428
D592,948	S *	5/2009	Mayer	D9/418
2001/0043971	A1	11/2001	Johns	
2003/0003200	A1	1/2003	Bukowski et al.	
2003/0068411	A1	4/2003	McCallister	426/107
2003/0213718	A1	11/2003	Ducharme et al.	
2004/0058038	A1	3/2004	Lee	
2004/0121049	A1	6/2004	Ebner et al.	
2004/0164075	A1	8/2004	Henze et al.	

2005/0040161	A1	2/2005	Lin et al.
2005/0082305	A1	4/2005	Dais et al.
2005/0109772	A1	5/2005	Thorpe et al.
2005/0281921	A1	12/2005	Langston et al.
2006/0013929	A1	1/2006	Morris et al.
2006/0088678	A1	4/2006	Berrier et al.
2006/0110498	A1	5/2006	Dellinger et al.
2006/0118552	A1	6/2006	Tiefenback
2006/0121168	A1	6/2006	Flaherty et al.
2006/0151339	A1	7/2006	Bradley et al.
2006/0236593	A1	10/2006	Cap
2006/0260598	A1	11/2006	Bjork et al.
2007/0029314	A1	2/2007	Rodgers et al.
2007/0090103	A1	4/2007	France et al.
2007/0116806	A1	5/2007	Parsons
2007/0116807	A1	5/2007	Parsons
2007/0131679	A1	6/2007	Edwards et al.
2007/0181008	A1	8/2007	Pawlick et al.
2008/0069485	A1	3/2008	France et al.
2008/0138473	A1	6/2008	Pawlick et al.
2008/0210686	A1	9/2008	Shapiro et al.
2009/0022858	A1	1/2009	Pawlick
2009/0035433	A1	2/2009	France et al.
2009/0078125	A1	3/2009	Pawlick et al.

FOREIGN PATENT DOCUMENTS

EP	1 245 504	A1	10/2002
EP	1 352 841	A1	10/2003
EP	1 352 848	A1	10/2003
EP	1 464 262	A	10/2004
EP	1 612 150	A1	1/2006
FR	2 774 262	A1	8/1999
GB	1 560 488		2/1980
GB	2 295 371	A	5/1996
GB	2 308 465	A	6/1997
GB	2 340 823	A	3/2000
JP	2-109882		4/1990
JP	10-129742		5/1998
WO	WO 86/00275		1/1986
WO	WO 96/007604		3/1996
WO	WO 99/059897		11/1999
WO	WO 03/086882	A1	10/2003
WO	WO 2006/098950		9/2006
WO	WO 2006/128156	A2	11/2006
WO	WO 2006/136825	A1	12/2006
WO	WO 2009/097030	A1	8/2009

OTHER PUBLICATIONS

“Ziploc® Containers With Snap’n’Seal Lids: Designed With You in Mind,” brochure found at <http://www.ziploc.com/food-storage-containers/>, 2 pages (Retrieved Nov. 14, 2005).

“Ziploc® Containers With Snap’n’Seal Lids: Storage Made Simpler!,” brochure found at http://www.ziploc.com/new_containers.html, 1 page (Retrieved Nov. 14, 2005).

Anchor Hocking ’70 Catalog, p. 83, baking dishes at #4, 5 and 6 (Oct. 1970).

France, “Steam Cooking Apparatus,” U.S. Appl. No. 60/728,468, filed Oct. 20, 2005.

McCallister, “Microwaveable Pasta Product,” U.S. Appl. No. 09/965,300, filed Sep. 28, 2001.

Photographs of a food tray available from Inter Frost GmbH at a trade show in Germany, Oct. 2005.

http://www.unclebens.de/produkte/heiss_auf_reis/heiss_auf_reis_uebersicht.aspx, Mars Inc. 2006.

<http://www.buypastanmore.com>, 2008.

* cited by examiner

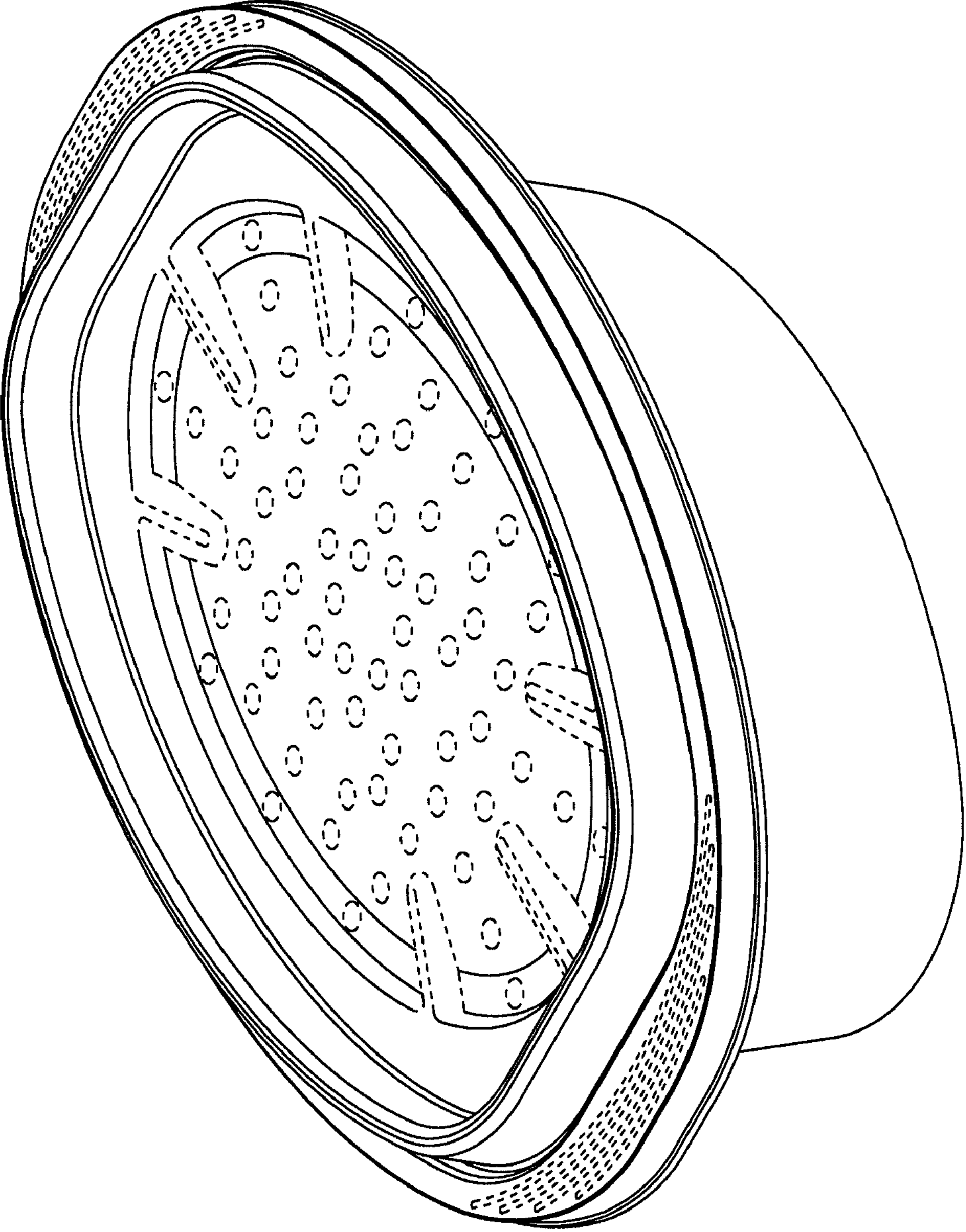


FIG. 1

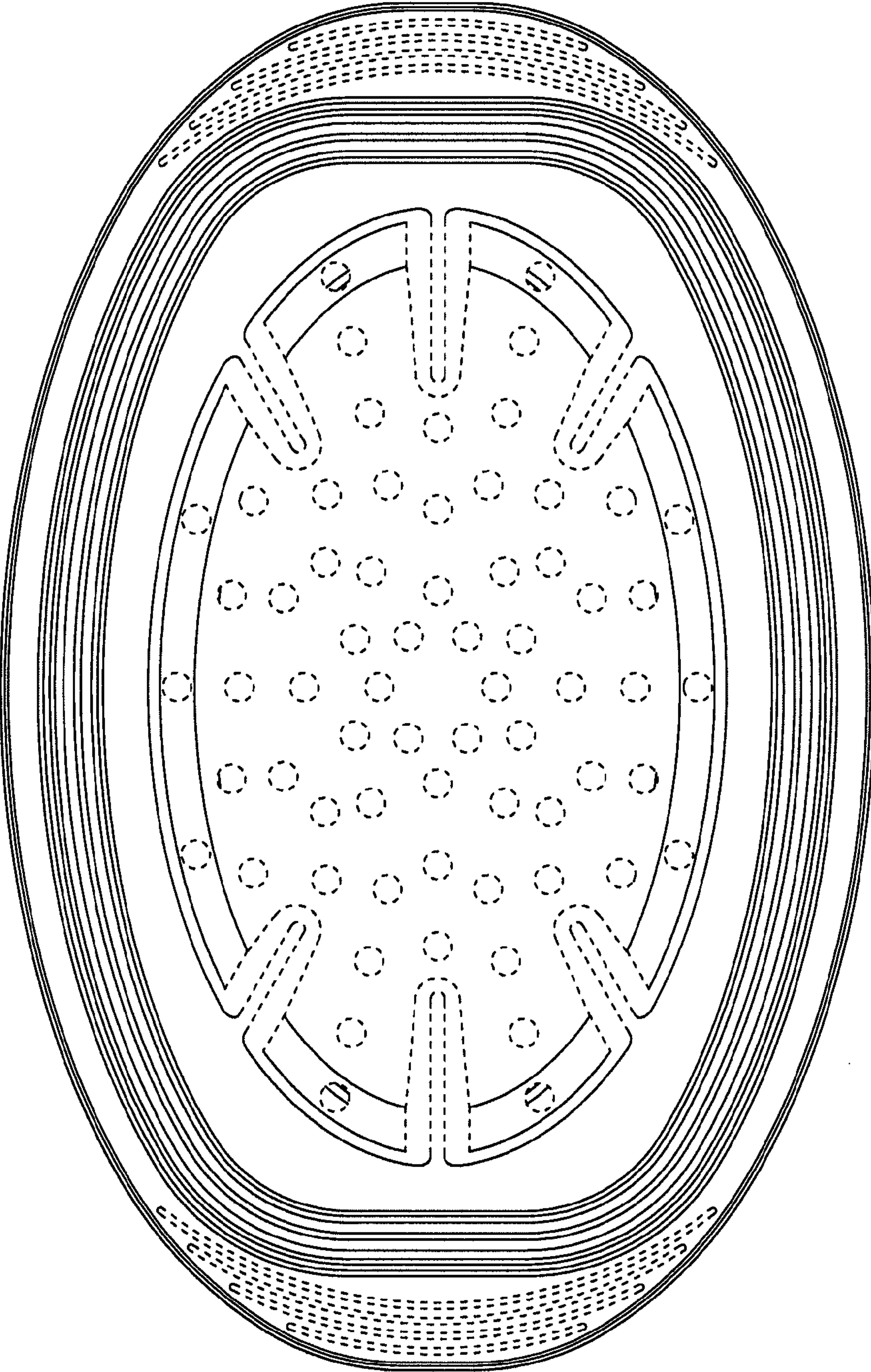


FIG. 2

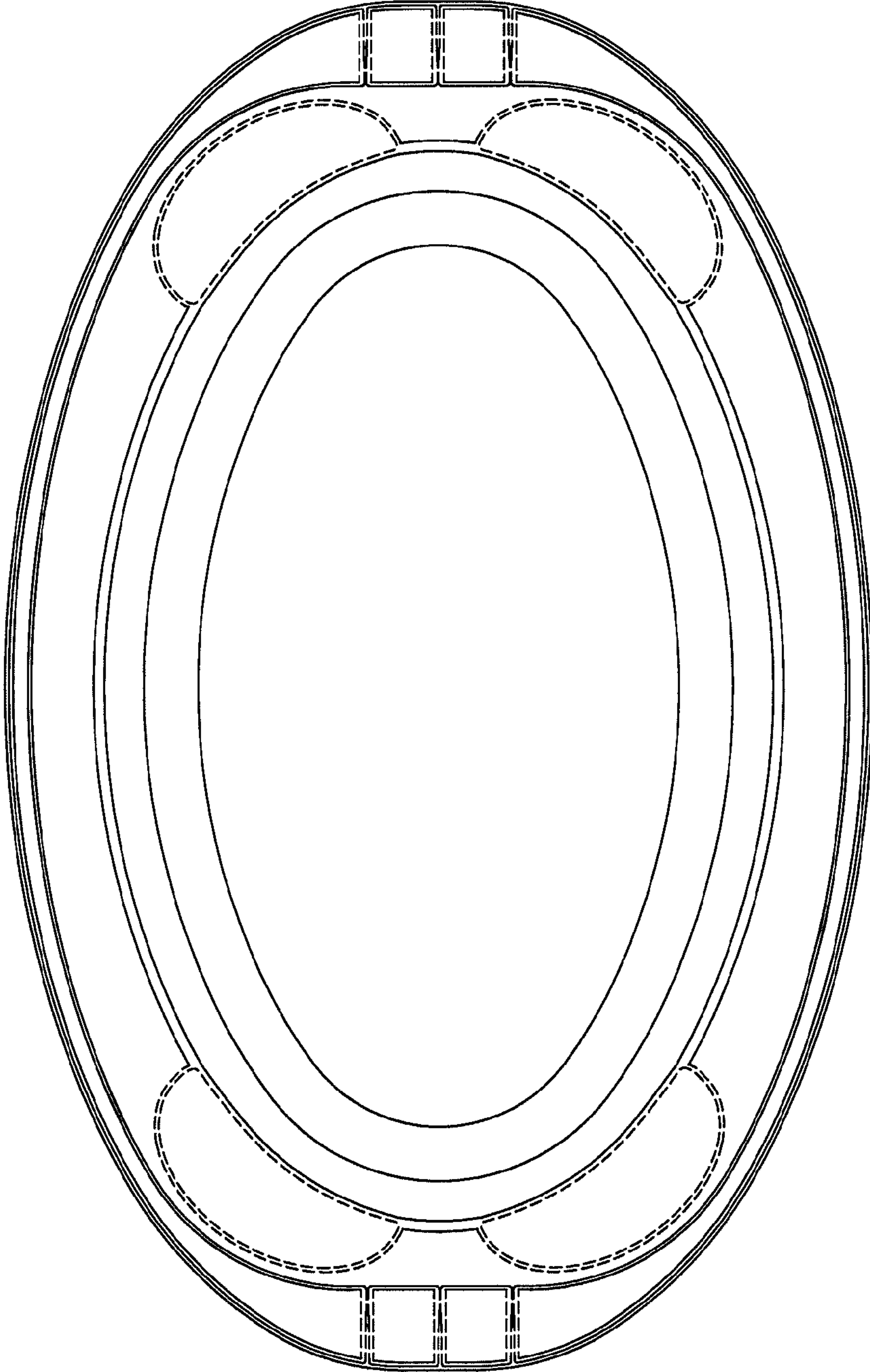


FIG. 3

FIG. 5

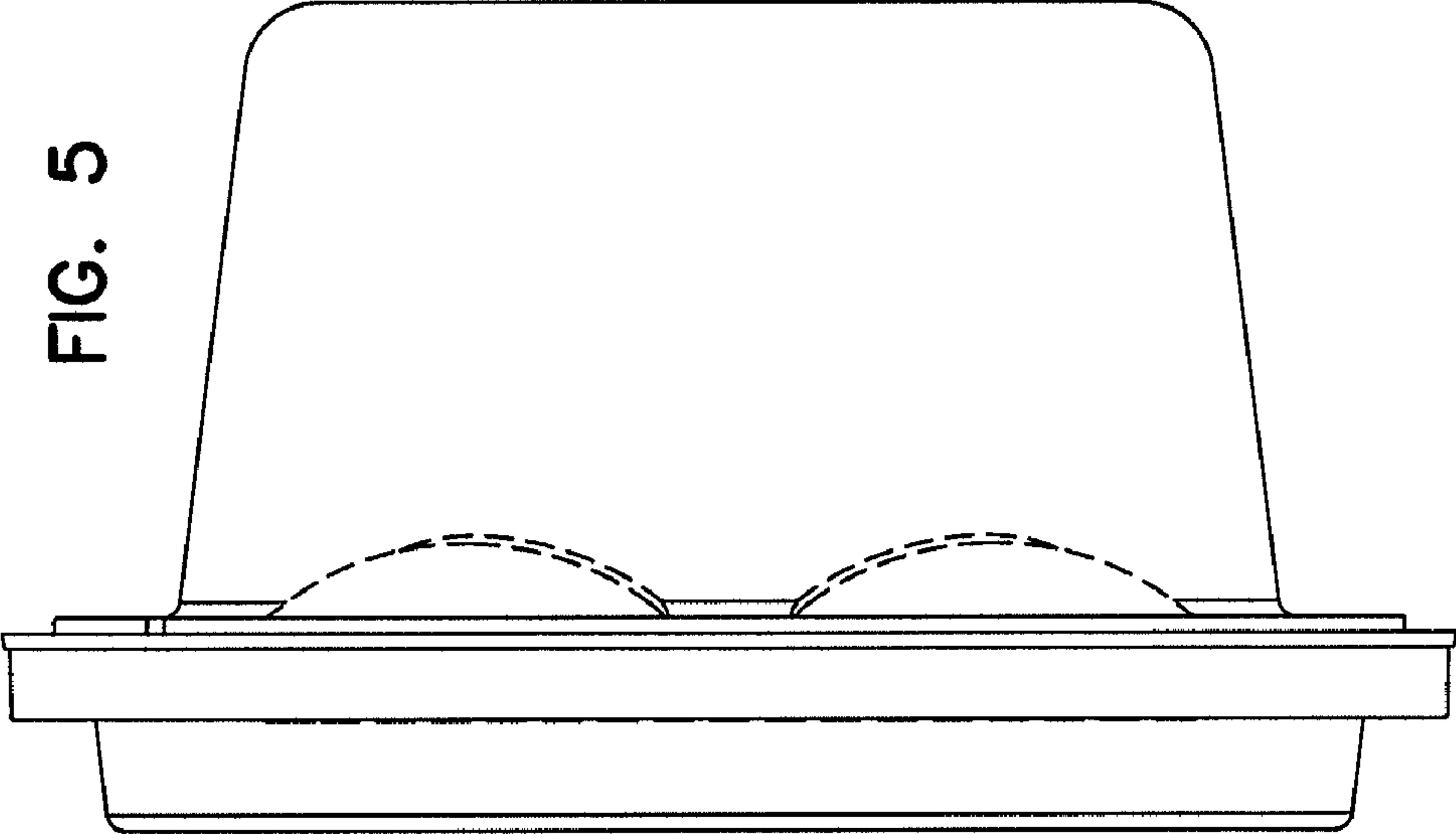
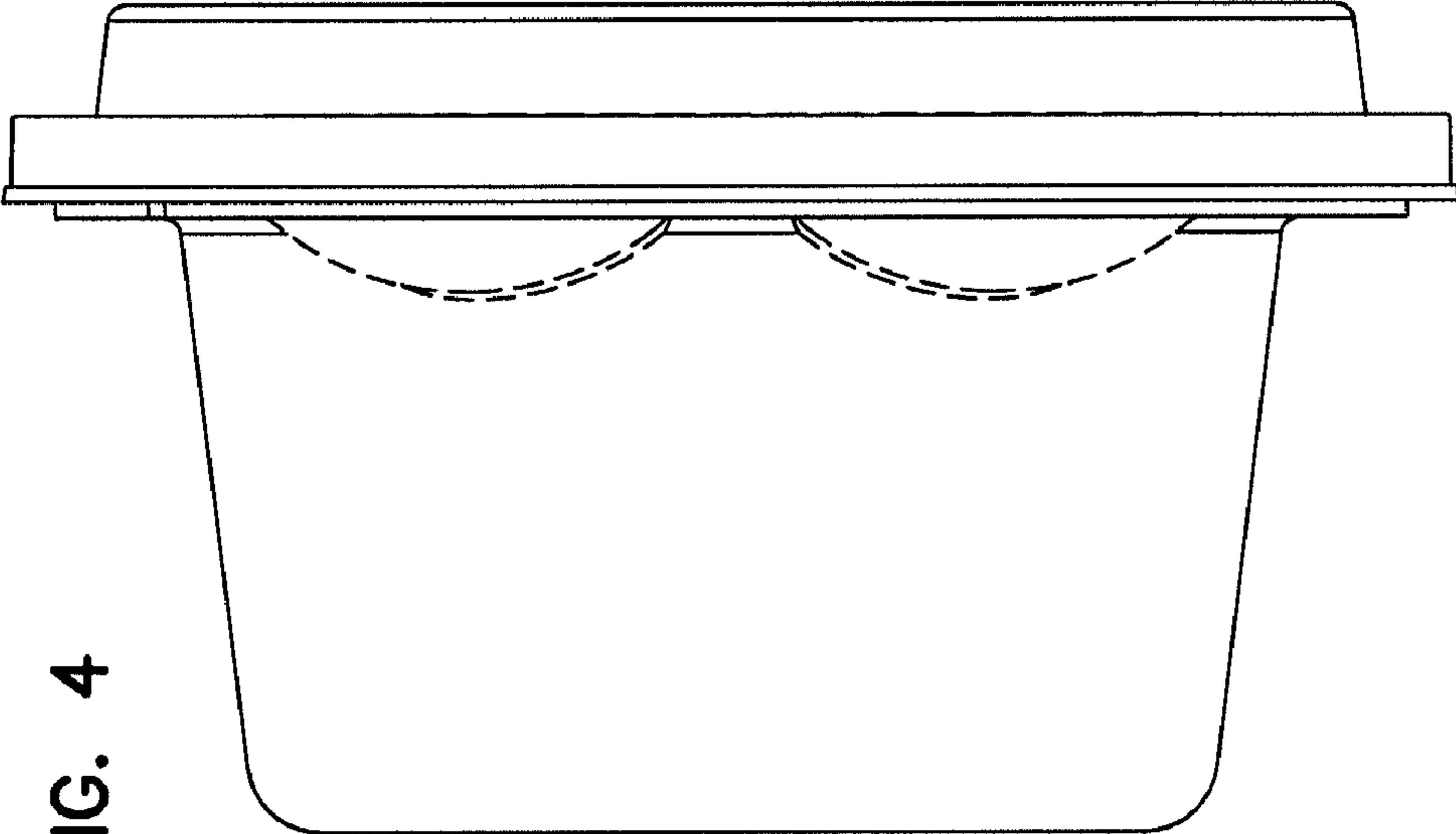


FIG. 4



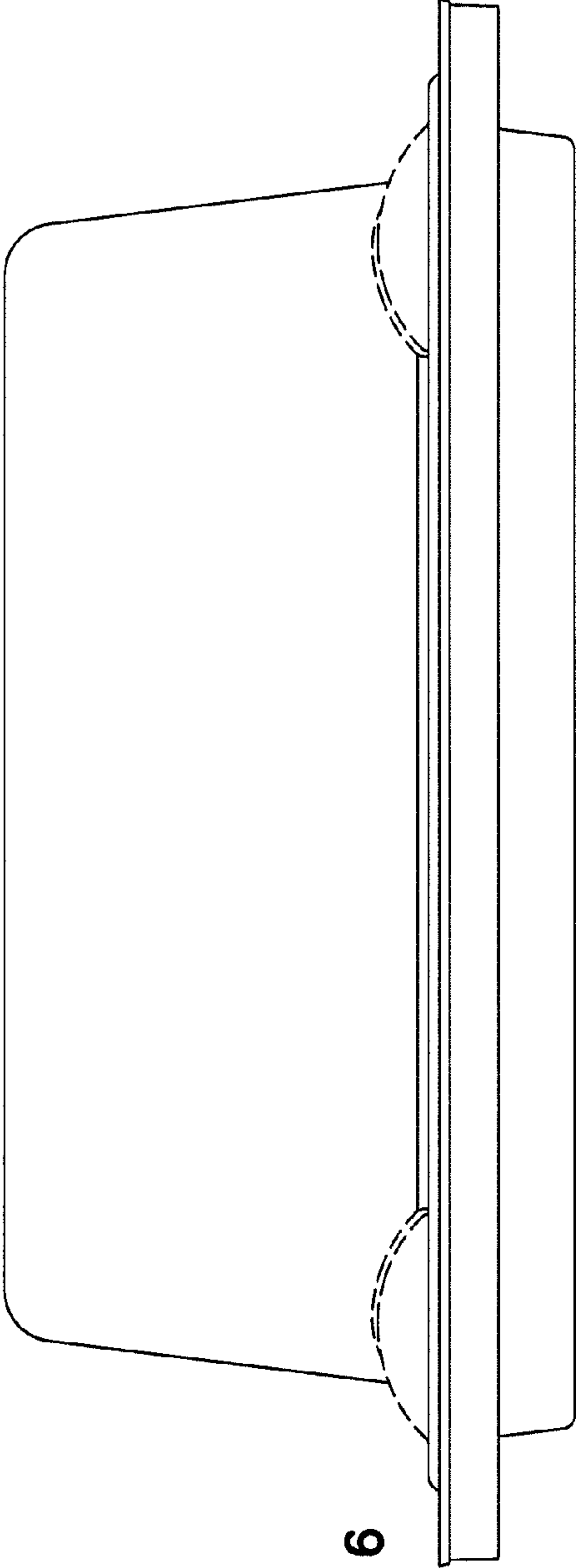


FIG. 6

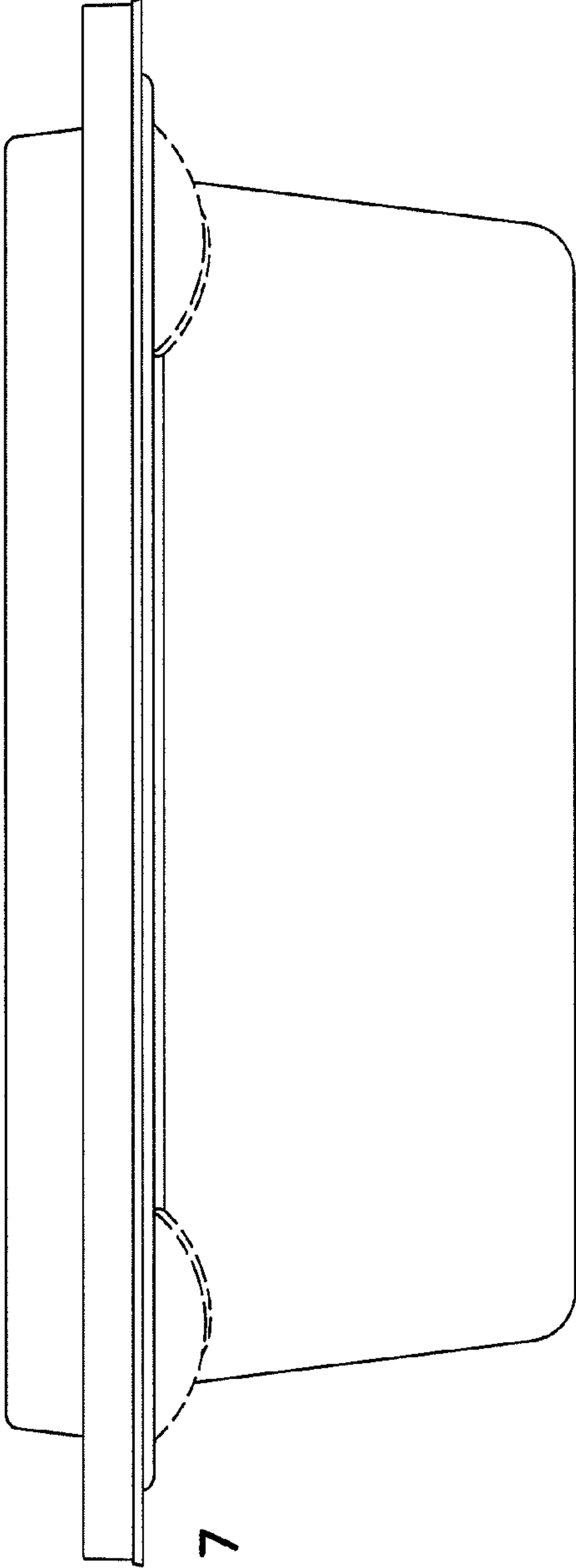


FIG. 7