



US00D610900S

(12) **United States Design Patent**  
**Piermayr et al.**

(10) **Patent No.:** **US D610,900 S**  
(45) **Date of Patent:** **\*\* Mar. 2, 2010**

(54) **CLAMPING OR CLOSING DEVICE FOR PLASTIC OR TEXTILE BANDS**

(75) Inventors: **Michael Piermayr**, Vienna (AT);  
**Christian Piermayr**, Vienna (AT)

(73) Assignee: **Harald Platzer Gesellschaft mbH**,  
Vienna (AT)

(\*\*) Term: **14 Years**

(21) Appl. No.: **29/258,817**

(22) Filed: **Apr. 27, 2006**

(30) **Foreign Application Priority Data**

Apr. 11, 2006 (AT) ..... 290/2006

(51) **LOC (9) Cl.** ..... **08-08**

(52) **U.S. Cl.** ..... **D8/394**

(58) **Field of Classification Search** ..... D8/354–356,  
D8/371, 376, 394–396, 382; 24/16 R, 279;  
248/49, 62, 74.1–74.4, 73

See application file for complete search history.

(56) **References Cited**

**U.S. PATENT DOCUMENTS**

D35,028 S *	9/1901	Ricker	.....	D8/396
D201,183 S *	5/1965	Sanders	.....	D13/152
D226,661 S *	4/1973	Christensen	.....	D8/354
D285,171 S *	8/1986	Russell	.....	D8/396
D312,498 S *	11/1990	Ebert	.....	D23/265
5,284,457 A *	2/1994	Gerstenberger et al.	.....	474/95
6,164,448 A *	12/2000	Schmutz et al.	.....	206/488
D448,280 S *	9/2001	Bourgerie	.....	D8/394
6,701,809 B2 *	3/2004	Huang	.....	81/125
2003/0192409 A1 *	10/2003	Wallace	.....	81/121.1

\* cited by examiner

*Primary Examiner*—T. Chase Nelson  
*Assistant Examiner*—John Windmuller  
(74) *Attorney, Agent, or Firm*—Laurence A. Greenberg;  
Werner H. Stemer; Ralph E. Locher

(57) **CLAIM**

The ornamental design for a clamping or closing device for plastic and textile bands, as shown and described.

**DESCRIPTION**

FIG. 1 is a side elevational view of an outer sleeve of the clamping or closing device for plastic or textile bands according to the invention, all side views being substantially identical;

FIG. 2 is an end view thereof;

FIG. 3 is an opposite end view thereof; and

FIG. 4 is a perspective view thereof;

FIG. 5 is a side elevational view of the outer sleeve of the clamping or closing device for plastic or textile bands with an insert part of the clamping or closing device for plastic or textile bands inserted therein;

FIG. 6 is an end view thereof;

FIG. 7 is an opposite end view thereof;

FIG. 8 is a perspective view thereof;

FIG. 9 is a side elevational view of the insert part of the clamping or closing device for plastic or textile bands in an open, unfolded position;

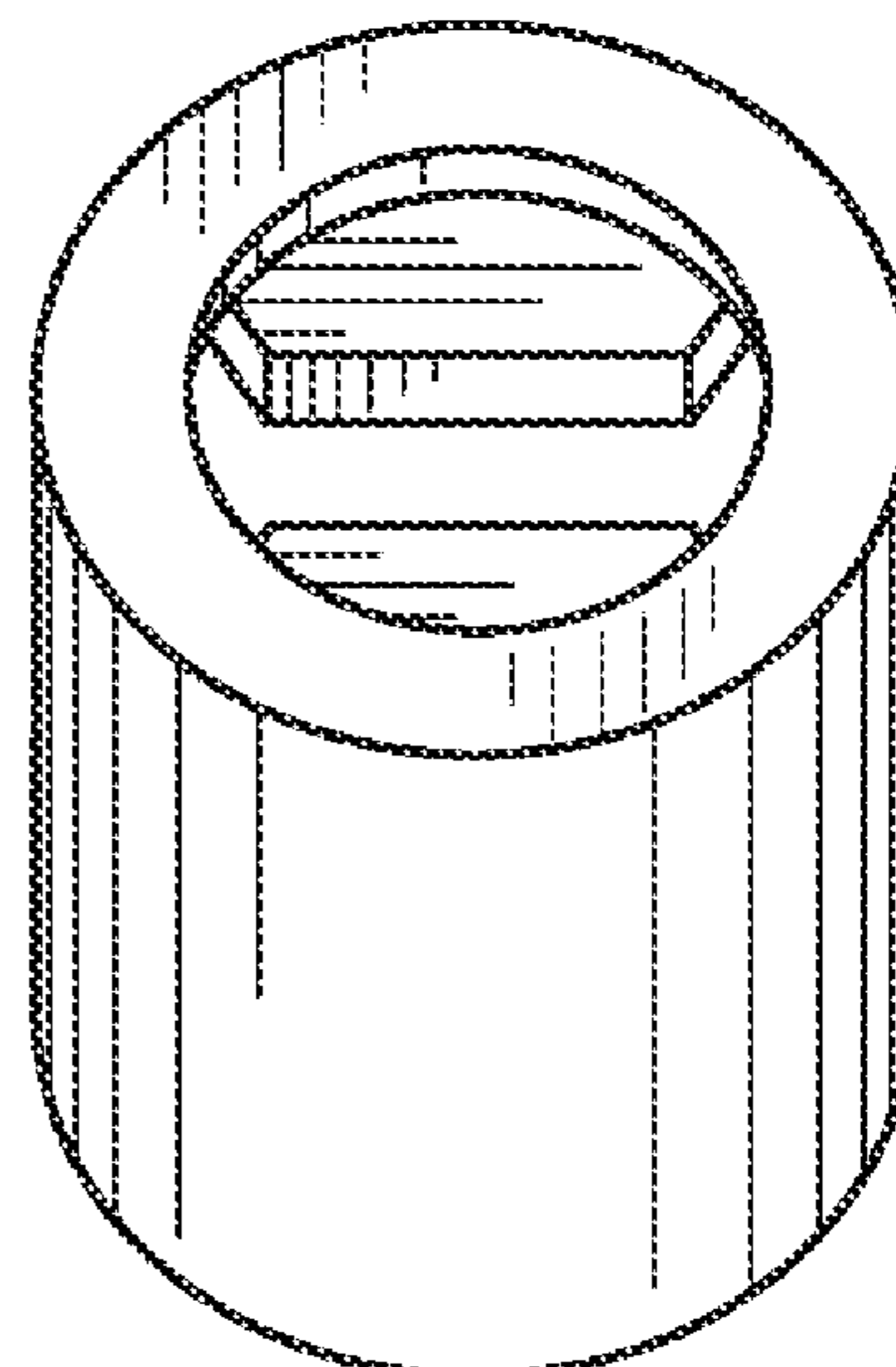
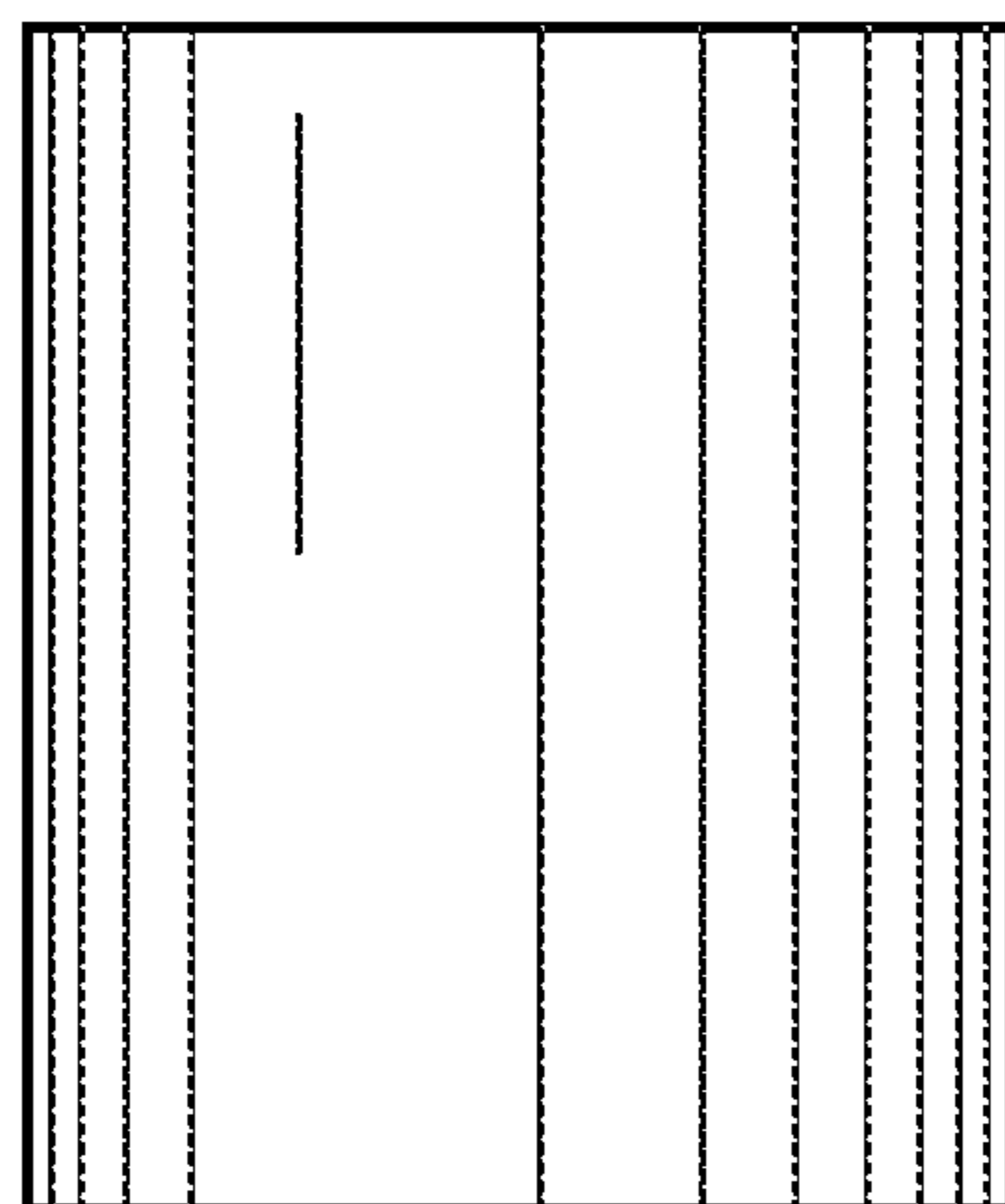
FIG. 10 is an opposite side view thereof;

FIG. 11 is an end view thereof; and

FIG. 12 is a an opposite end view thereof.

In the drawings, the broken lines show non-claimed structure that forms no part of the claimed design.

**1 Claim, 4 Drawing Sheets**



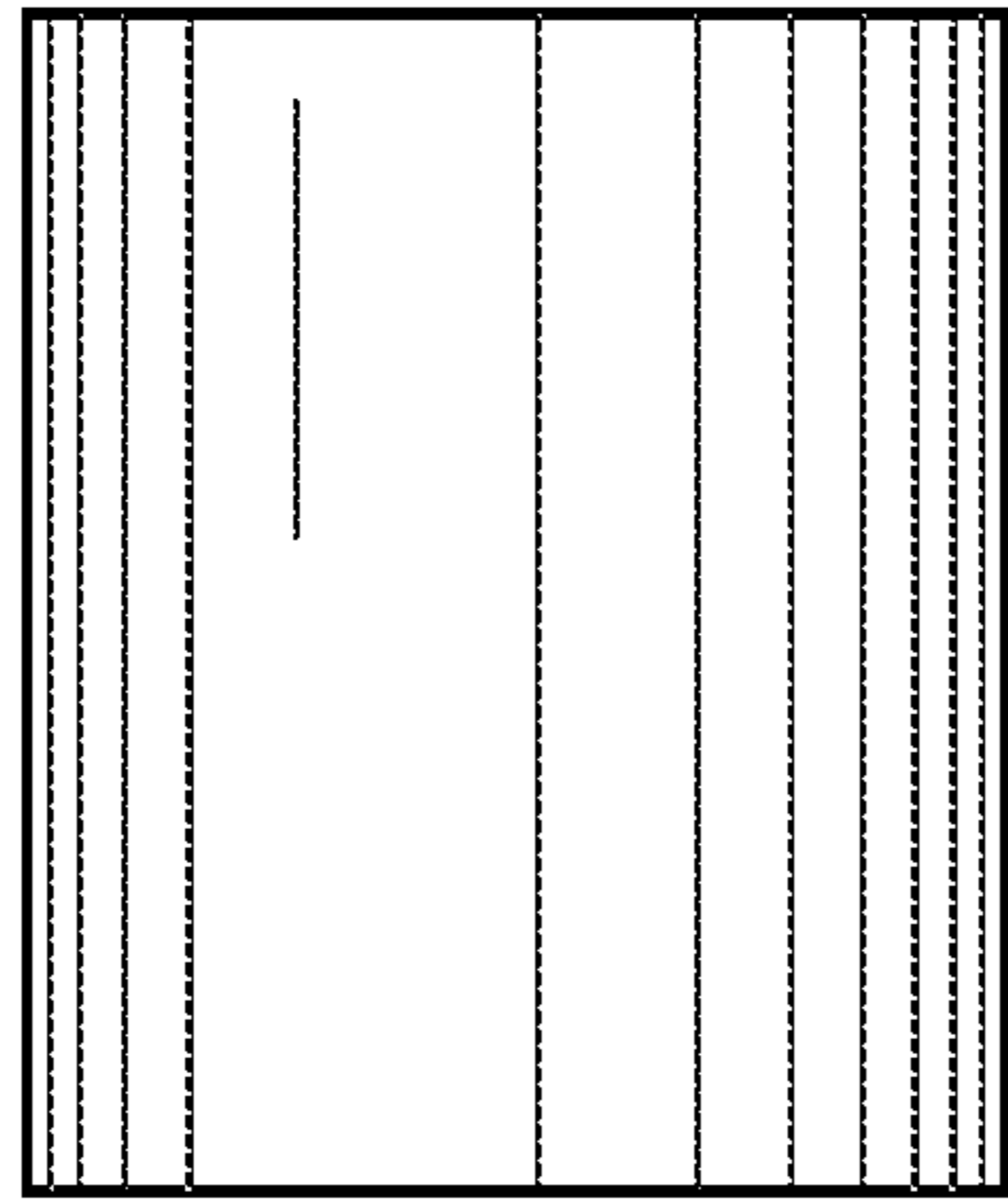


FIG. 1

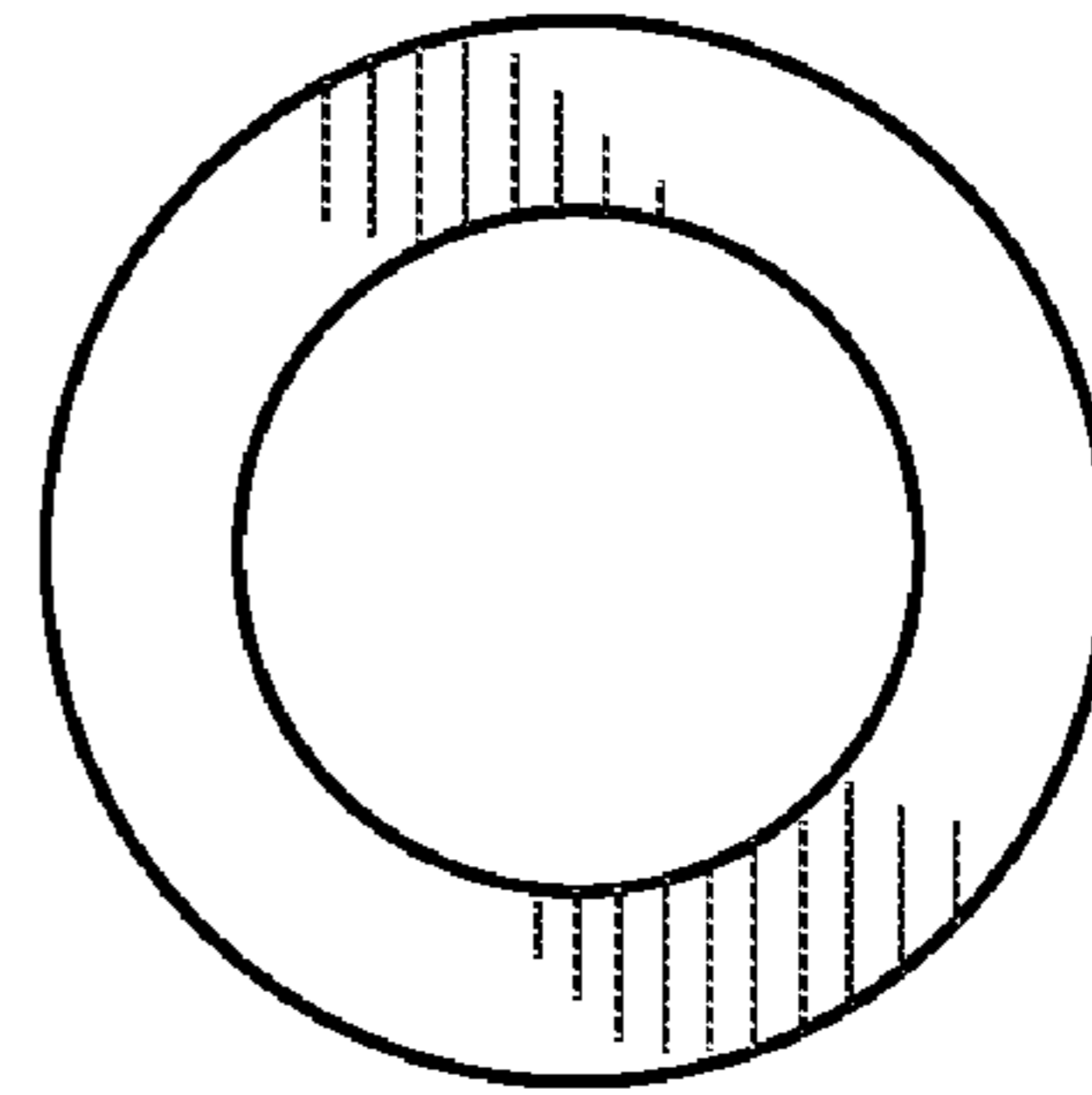


FIG. 2

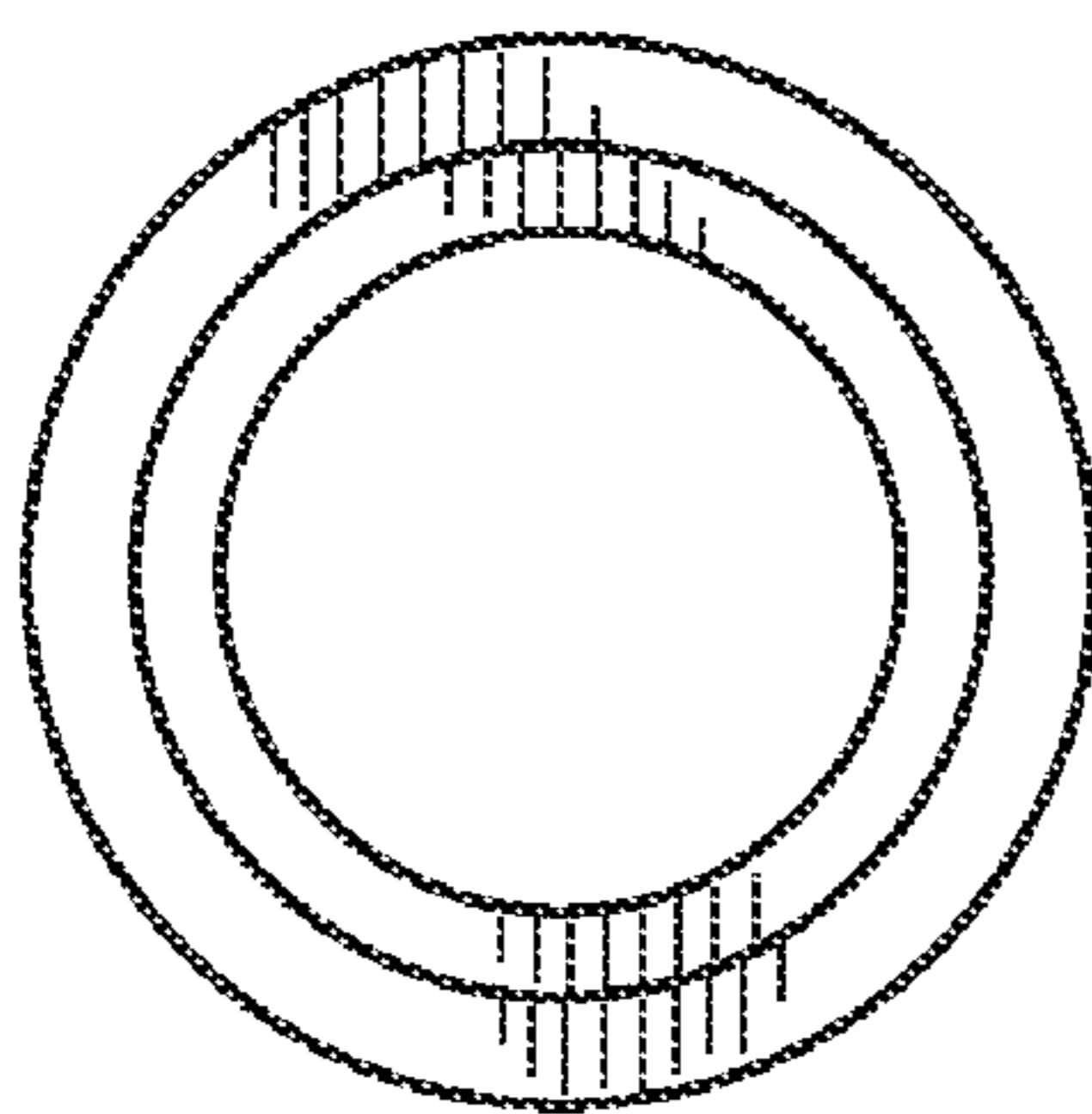


FIG. 3

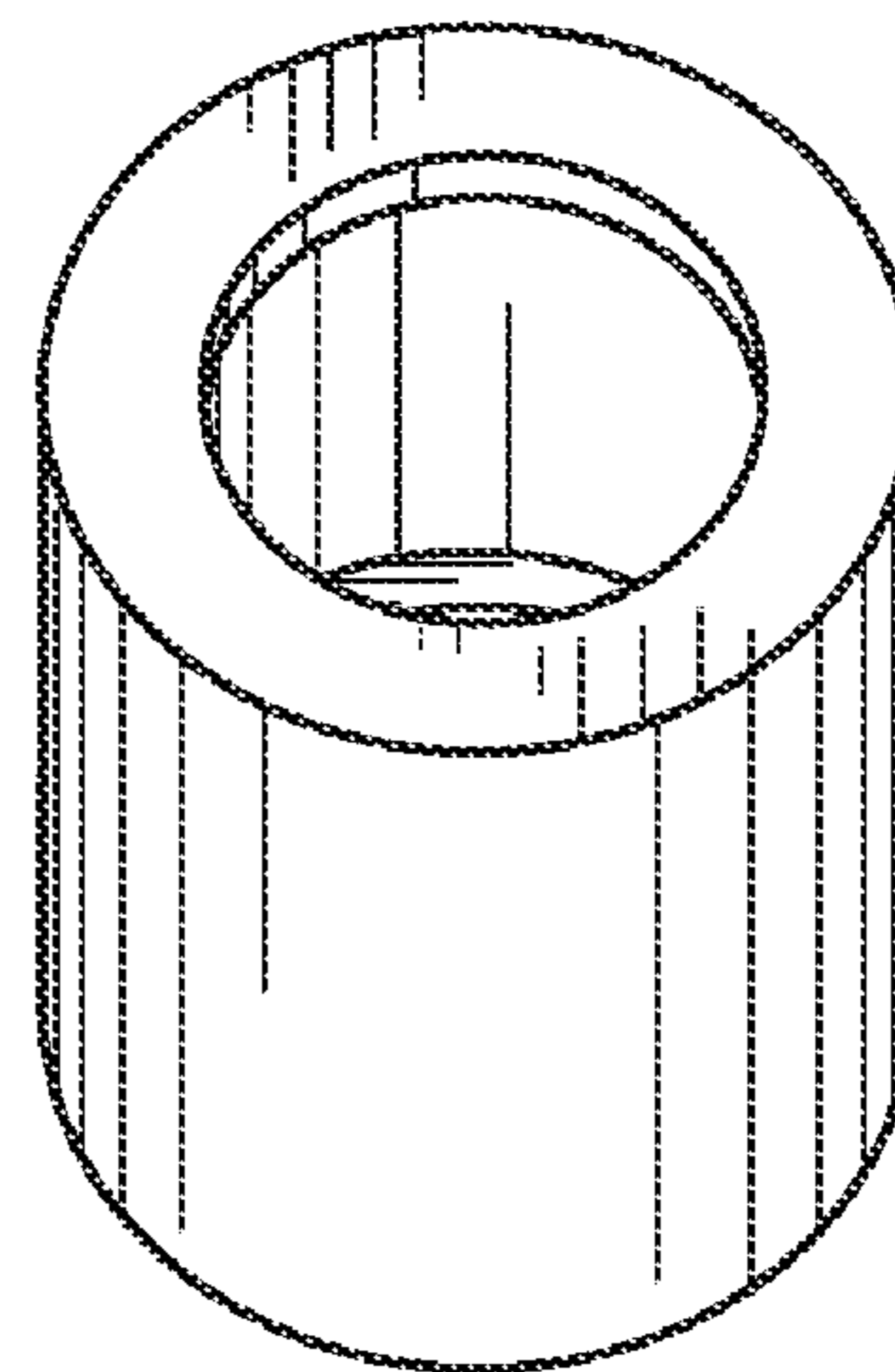


FIG. 4

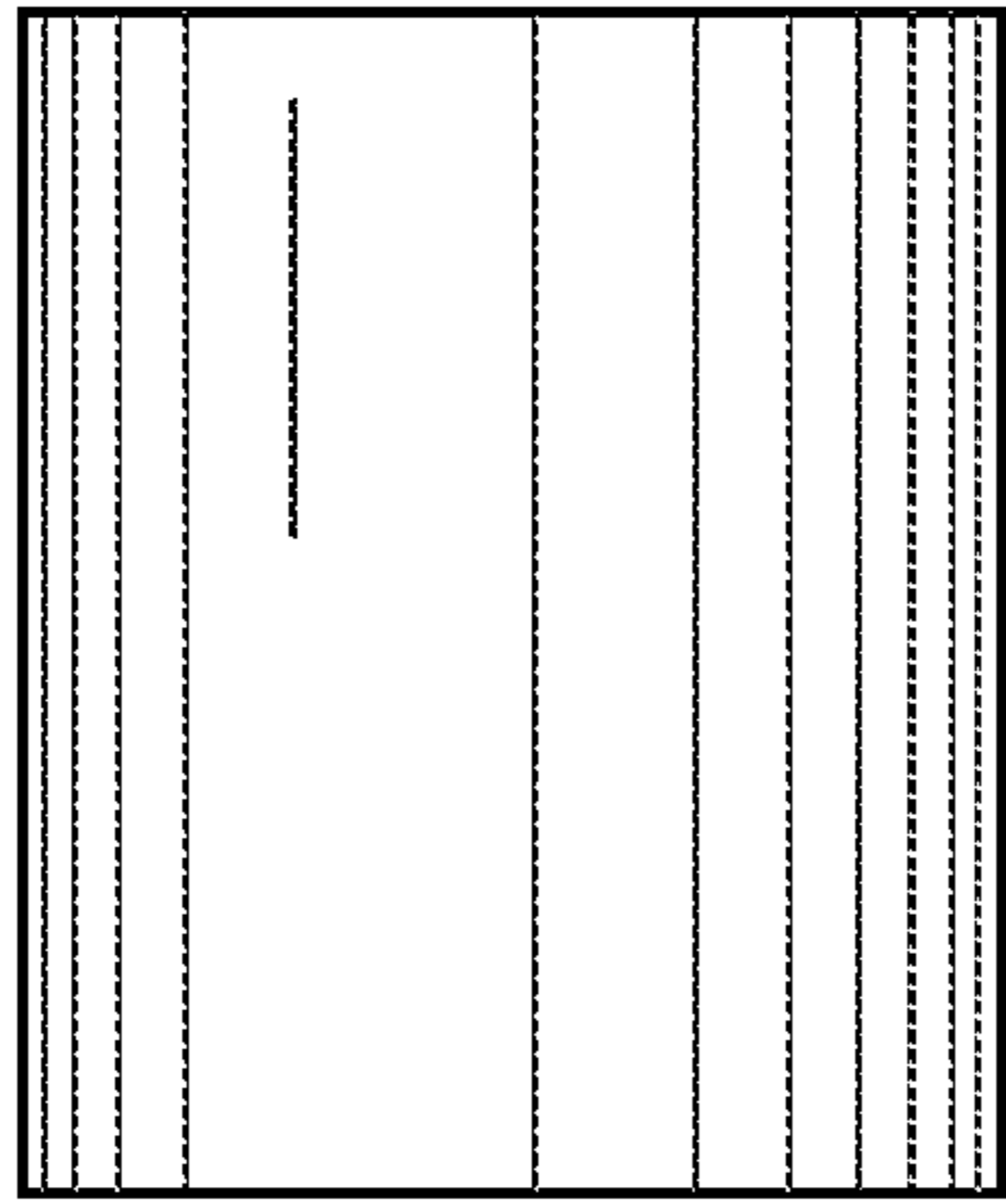


FIG. 5

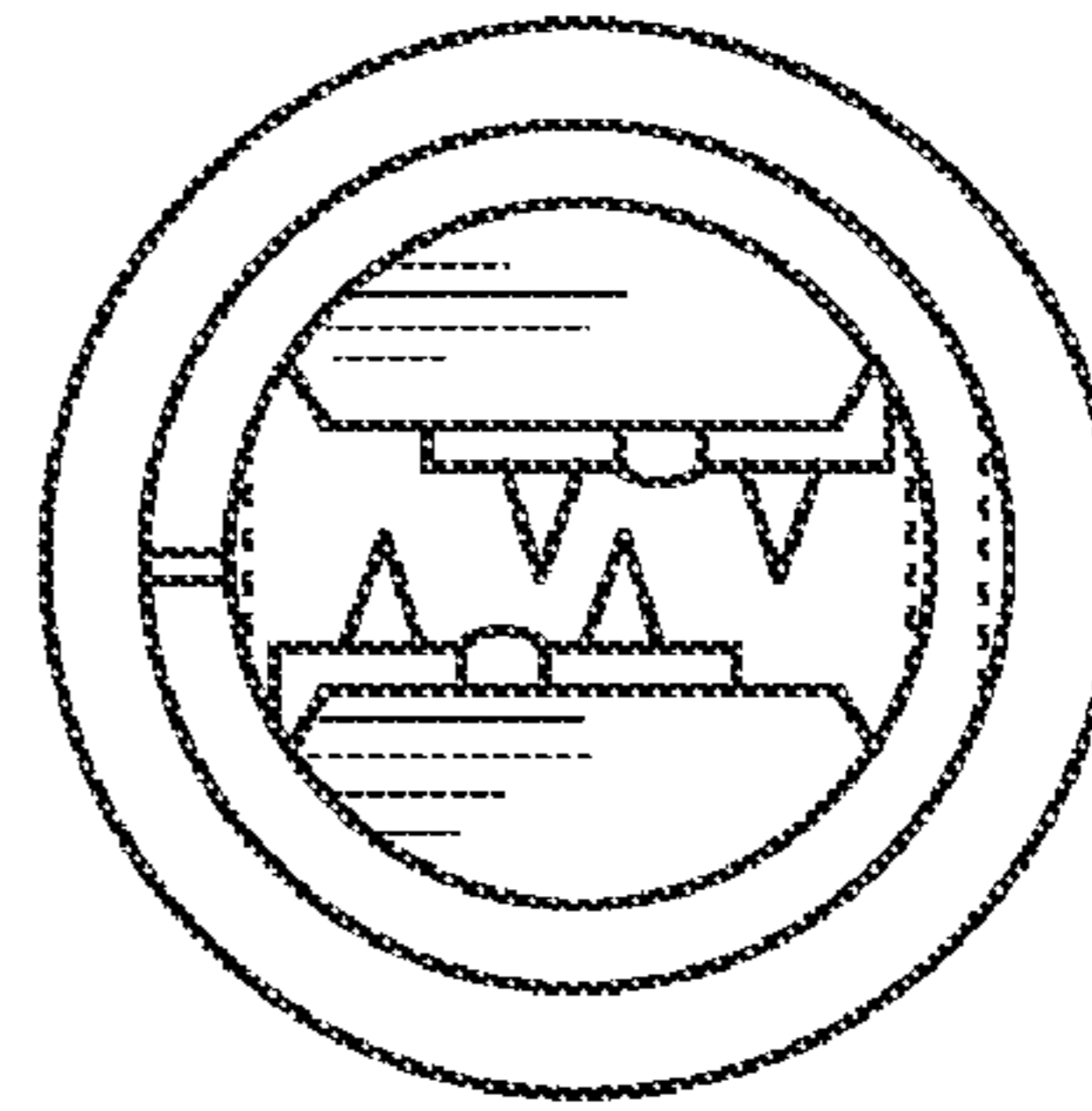


FIG. 6

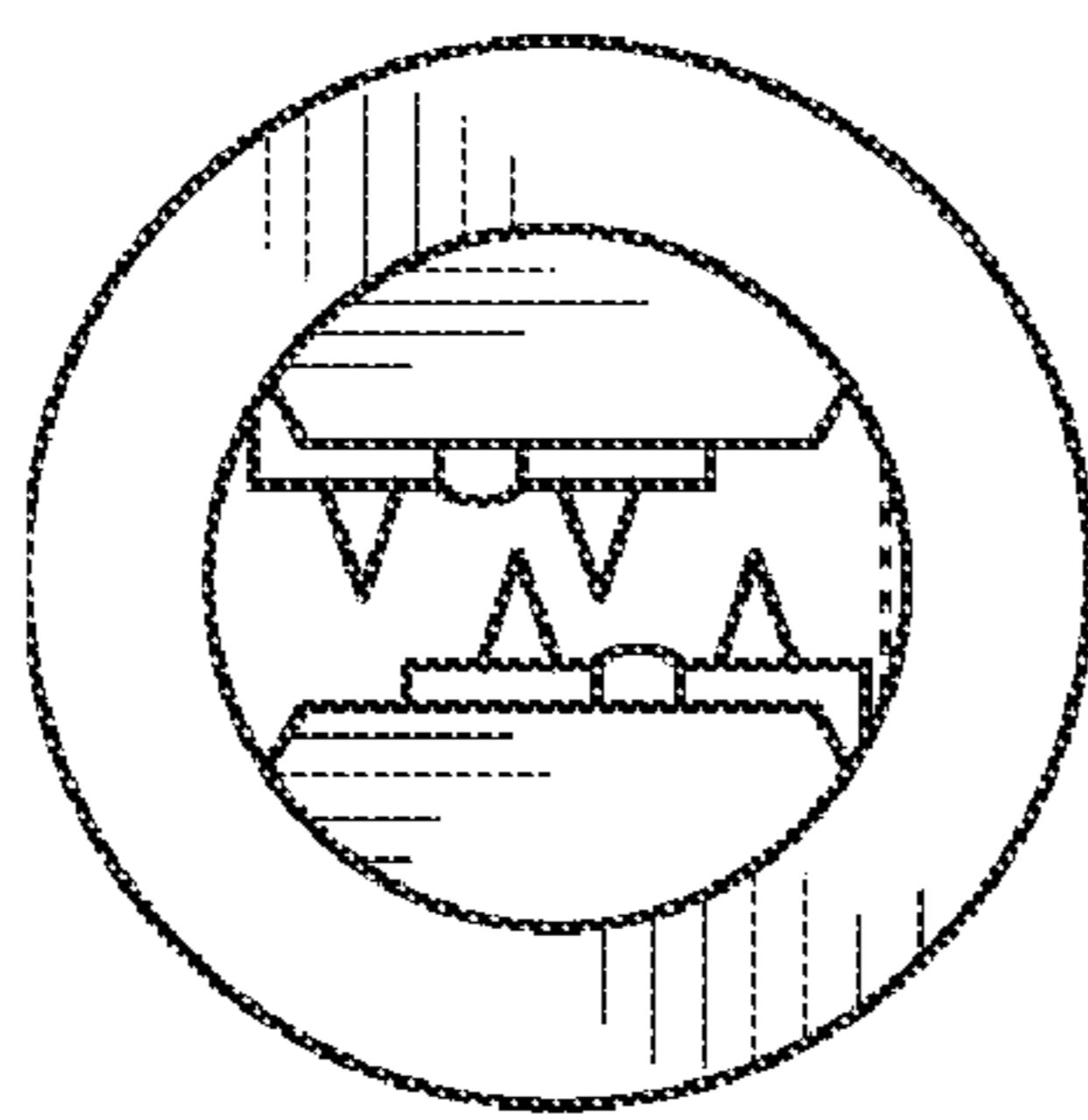


FIG. 7

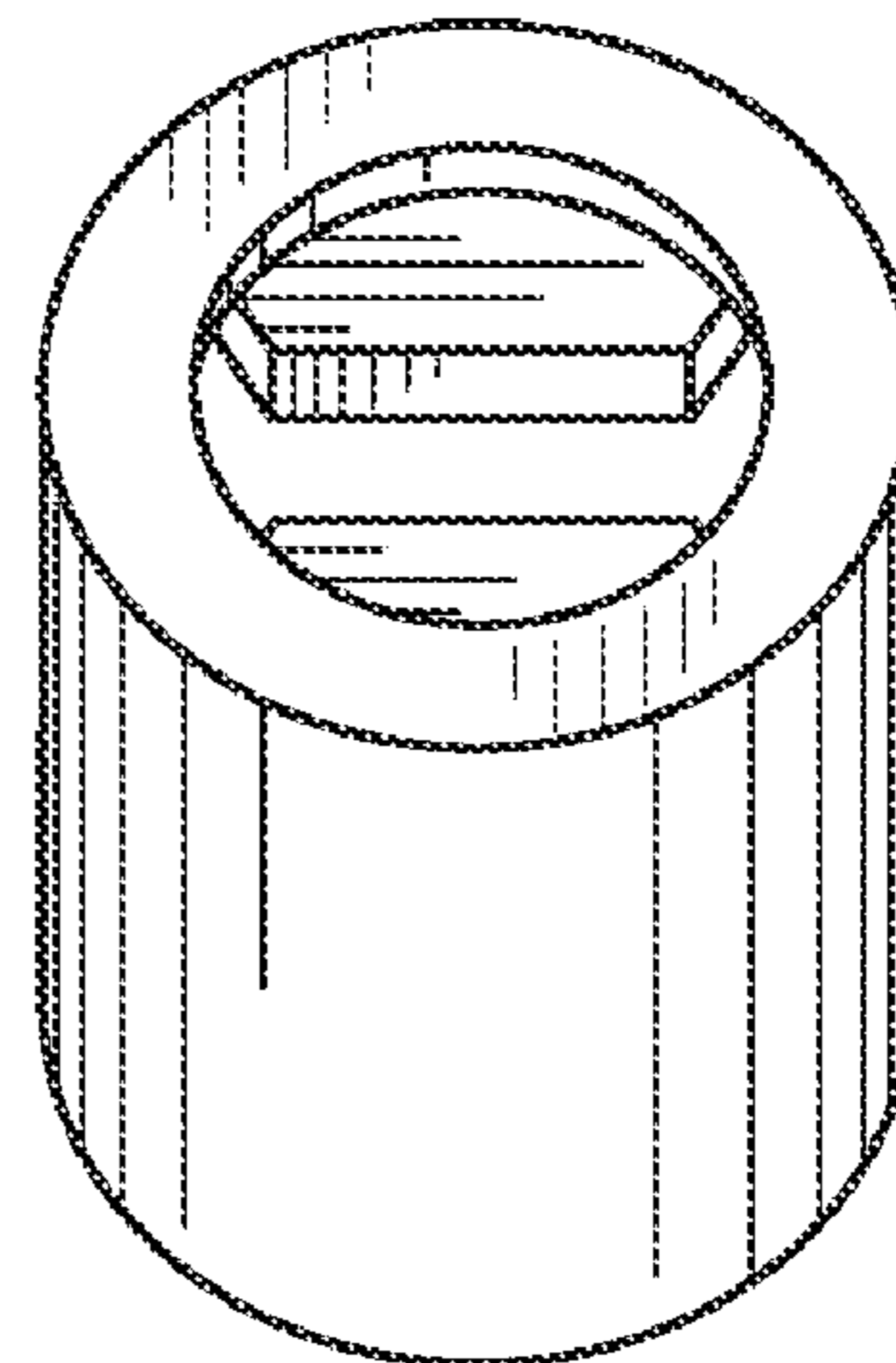


FIG. 8

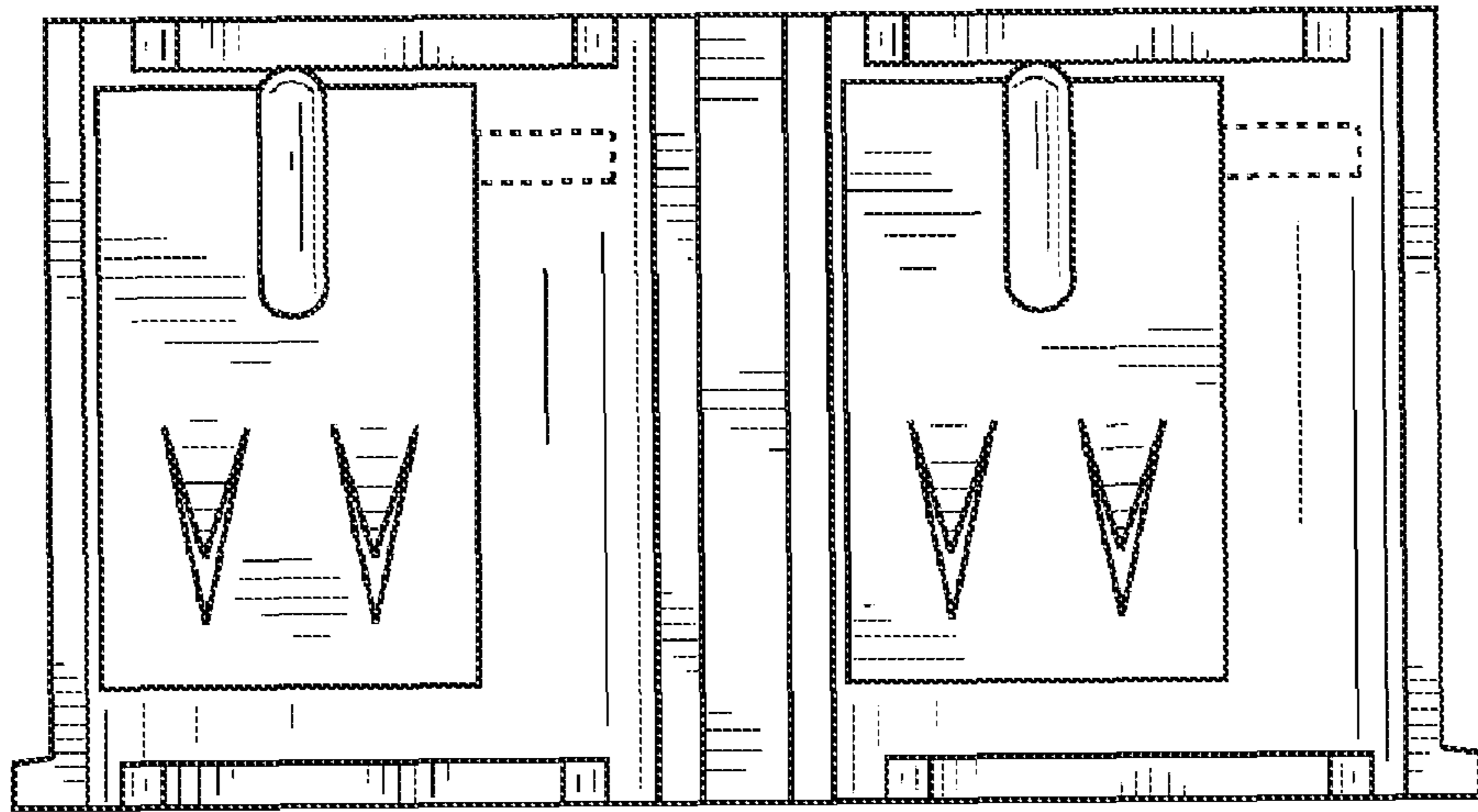


FIG. 9

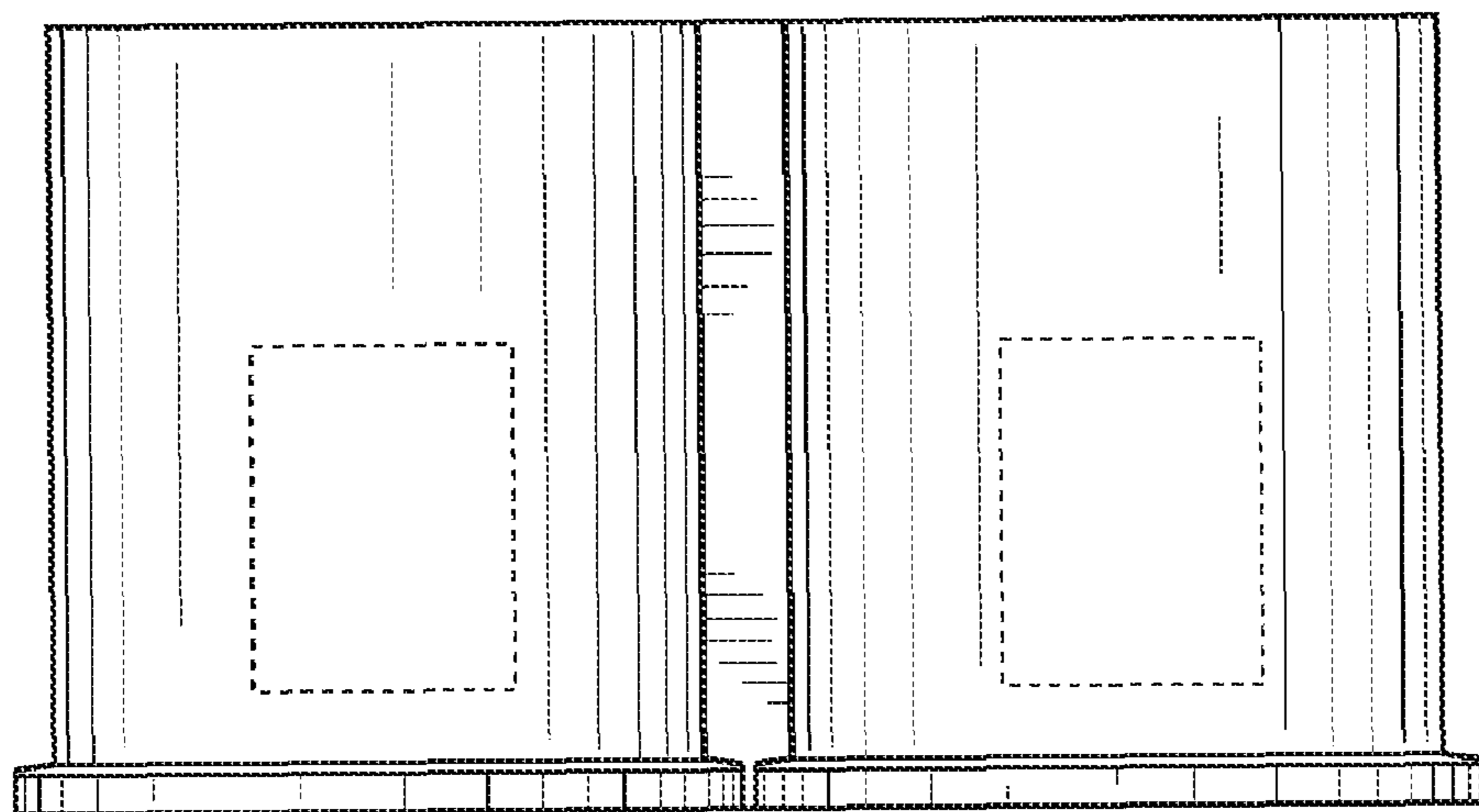


FIG. 10

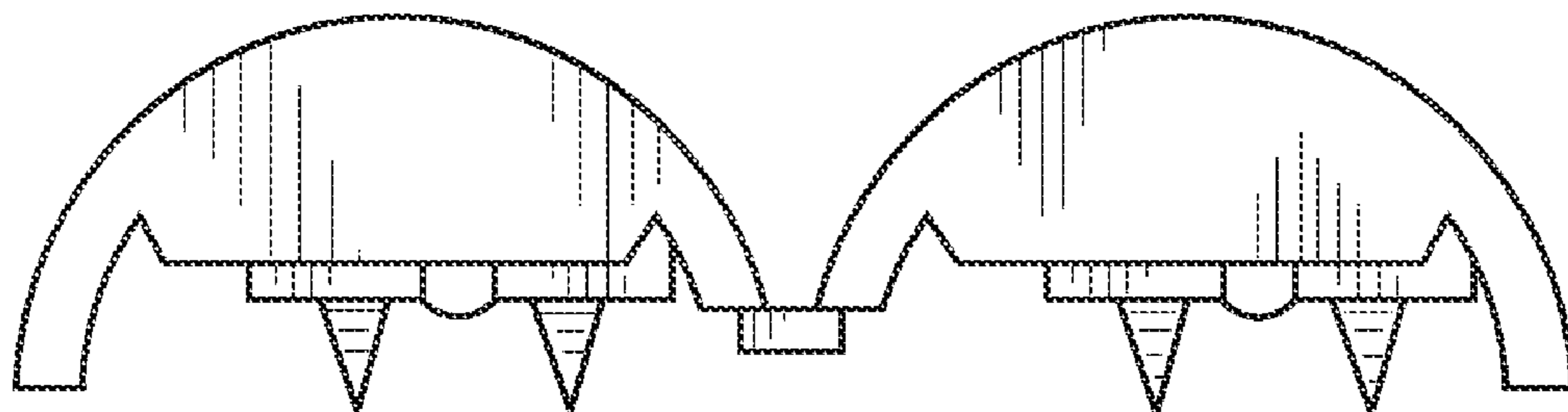


FIG. 11

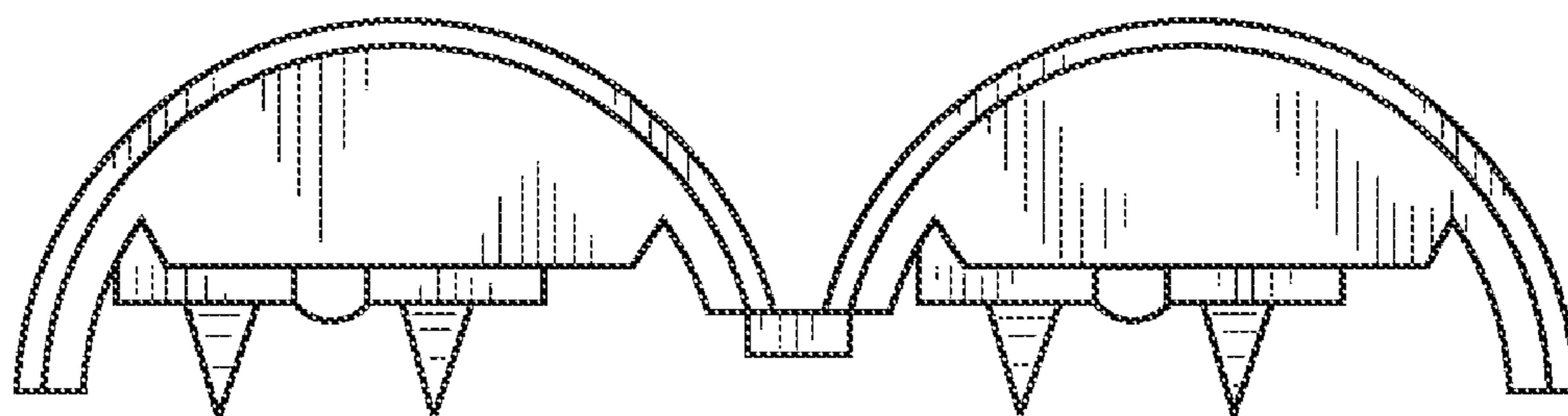


FIG. 12