



US00D610899S

(12) **United States Design Patent**  
**Hikai**

(10) **Patent No.:** **US D610,899 S**  
(45) **Date of Patent:** **\*\* Mar. 2, 2010**

(54) **METAL FITTING**

JP 2006-265864 A 10/2006

(75) Inventor: **Satoshi Hikai**, Nagoya (JP)

\* cited by examiner

(73) Assignee: **Nichiha Corporation**, Nagoya-shi (JP)

*Primary Examiner*—Holly H Baynham

*Assistant Examiner*—Sheryl Lane

(\*\*) Term: **14 Years**

(74) *Attorney, Agent, or Firm*—Birch, Stewart, Kolasch & Birch, LLP

(21) Appl. No.: **29/332,333**

(22) Filed: **Feb. 13, 2009**

(57) **CLAIM**

(51) **LOC (9) Cl.** ..... **08-08**

The ornamental design for a metal fitting, as shown and described.

(52) **U.S. Cl.** ..... **D8/382**

(58) **Field of Classification Search** ..... D8/382,  
D8/349, 354; 52/235; 248/300, 220.22,  
248/301, 304; 403/381, 14

See application file for complete search history.

**DESCRIPTION**

(56) **References Cited**

U.S. PATENT DOCUMENTS

4,570,404	A *	2/1986	Knudson	.....	52/520
6,315,489	B1 *	11/2001	Watanabe	.....	403/381
6,402,419	B1 *	6/2002	Watanabe	.....	403/381
D472,792	S *	4/2003	Callahan et al.	.....	D8/349
6,830,405	B2 *	12/2004	Watanabe	.....	403/14
6,843,032	B2 *	1/2005	Hikai	.....	52/287.1
D536,240	S *	2/2007	Vejmarker	.....	D8/354
D562,120	S *	2/2008	Henderson	.....	D8/382
D591,585	S *	5/2009	Hikai	.....	D8/382
2001/0045075	A1 *	11/2001	Watanabe	.....	52/712
2002/0046536	A1 *	4/2002	Hotta	.....	52/698
2005/0102944	A1 *	5/2005	Hikai	.....	52/511

FOREIGN PATENT DOCUMENTS

JP 2005-133504 A 5/2005

FIG. 1 is a front view of a metal fitting showing my new design;

FIG. 2 is a back view thereof;

FIG. 3 is a top view thereof;

FIG. 4 is a bottom view thereof;

FIG. 5 is a right side view thereof;

FIG. 6 is a left side view thereto;

FIG. 7 is a front, right perspective view thereof; and,

FIG. 8 is a reference view showing an example of the metal fitting that is in use on a wall. As shown in FIG. 8, the metal fitting in which the claimed design is applied can be installed between a wall and an outer decorative wall.

The broken lines illustrated in drawings form no part of the claimed design.

**1 Claim, 8 Drawing Sheets**

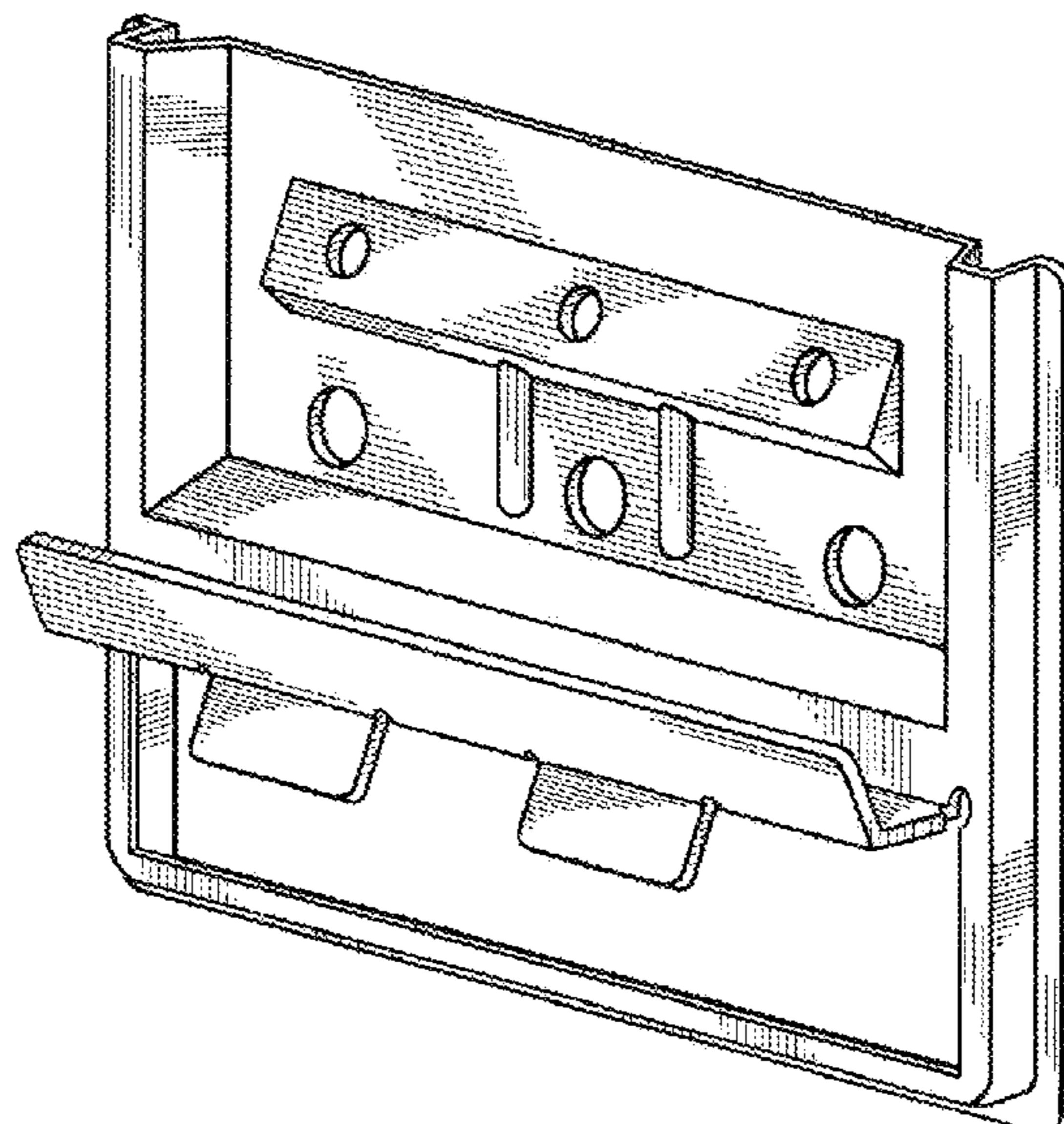


Fig. 1

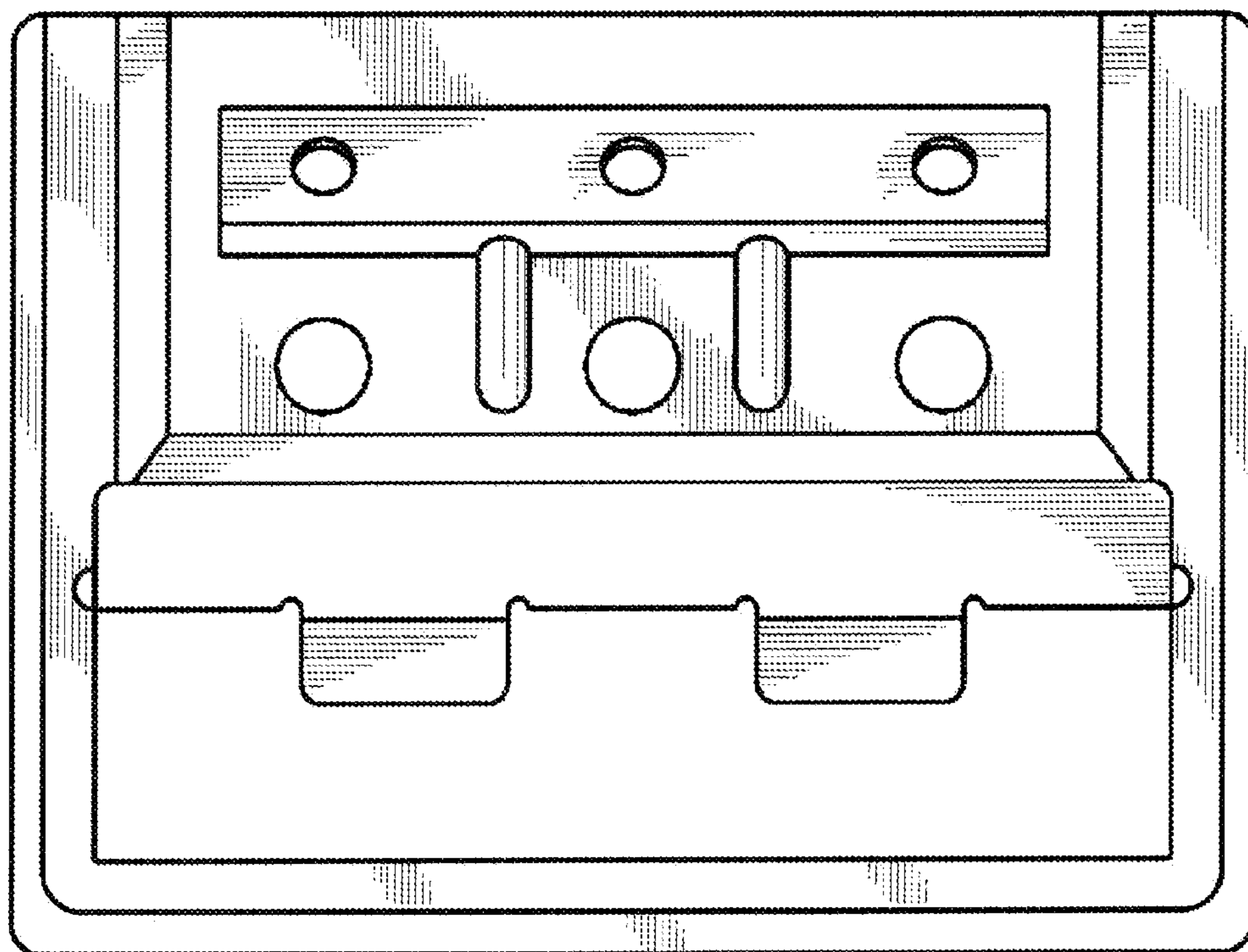


Fig.2

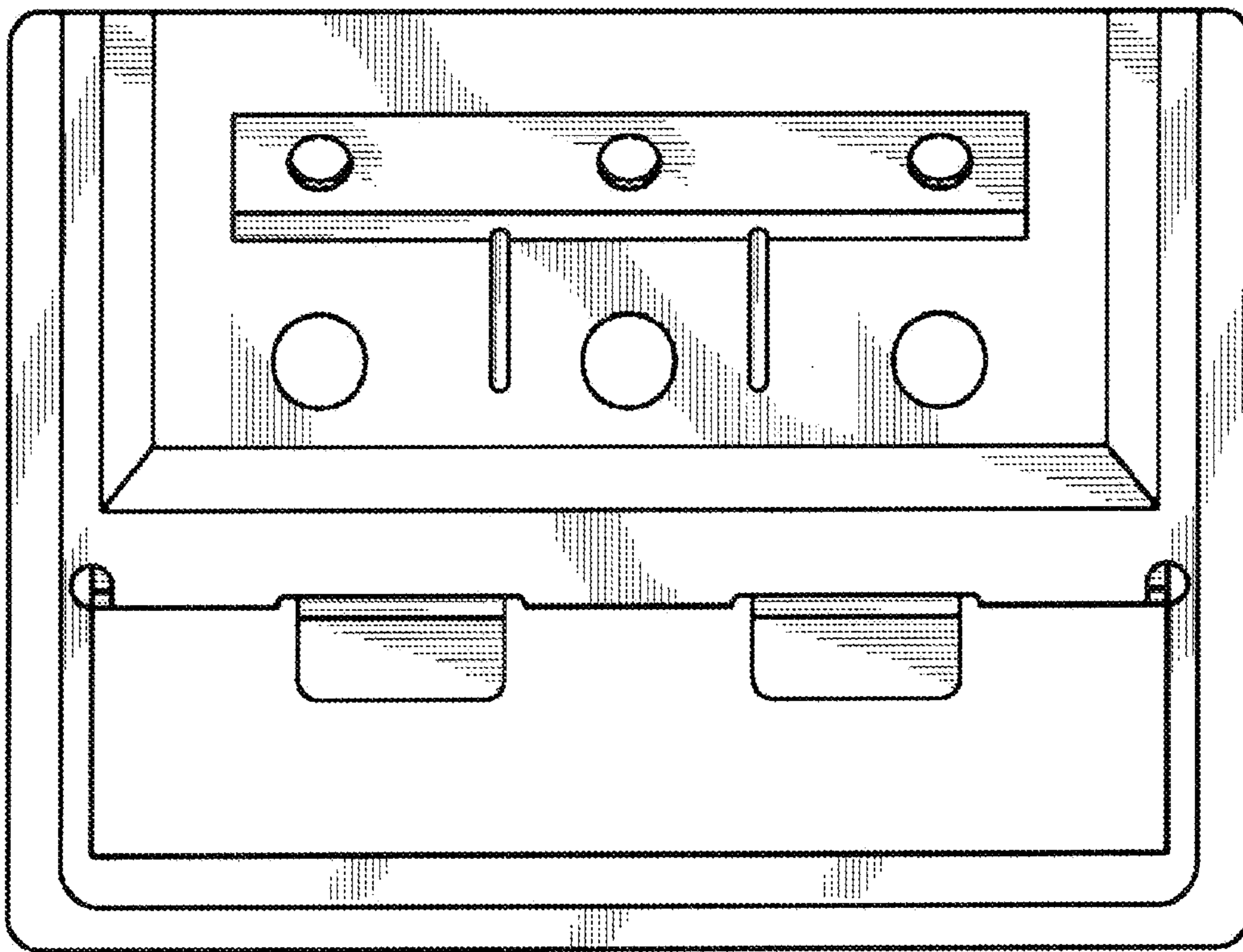


Fig.3

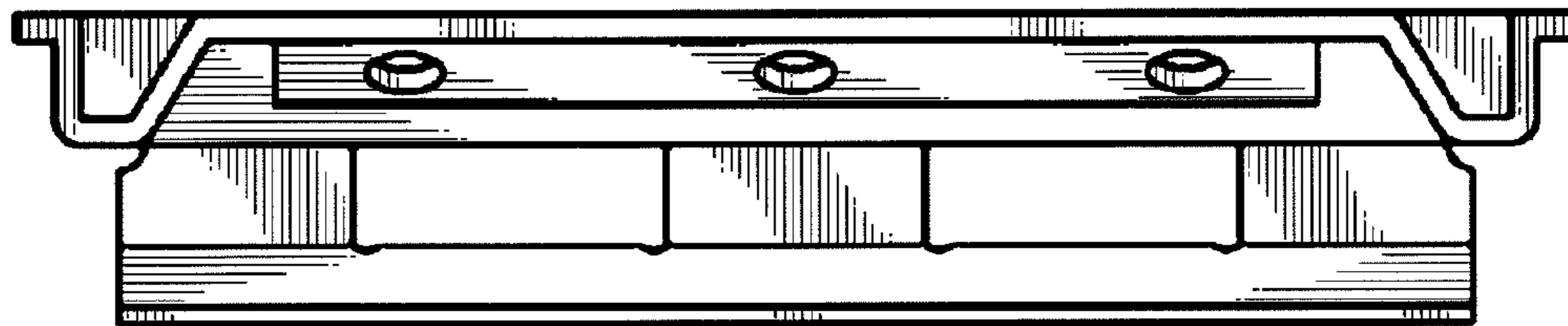


Fig.4

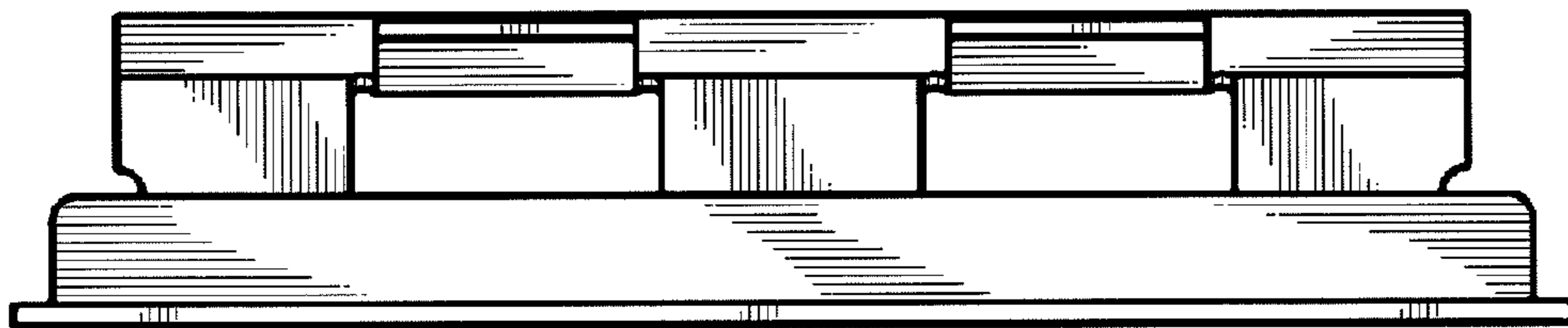


Fig.5

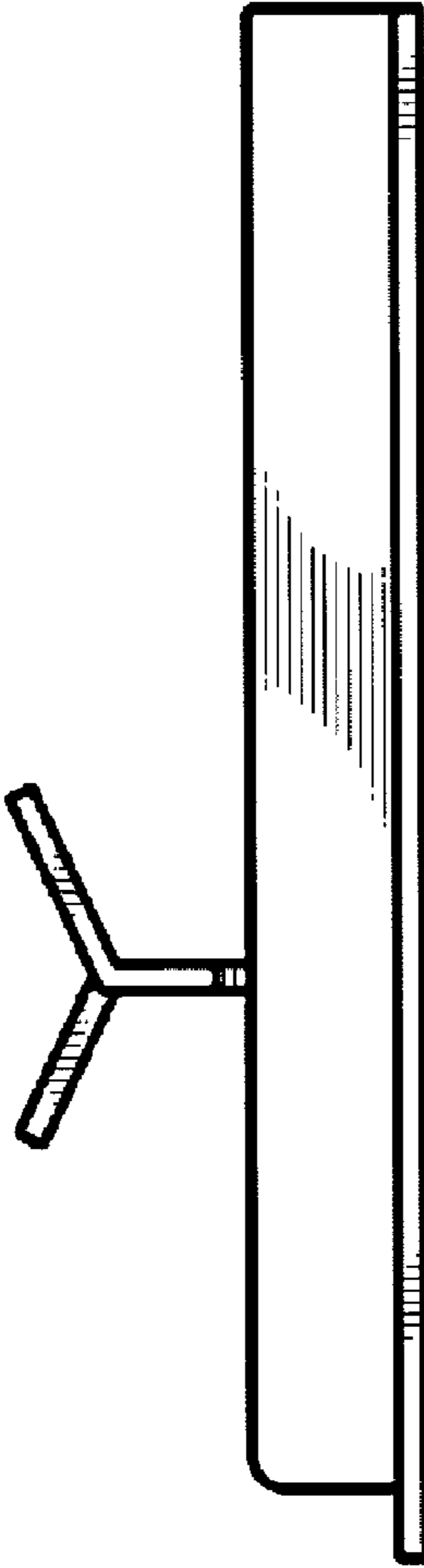


Fig.6

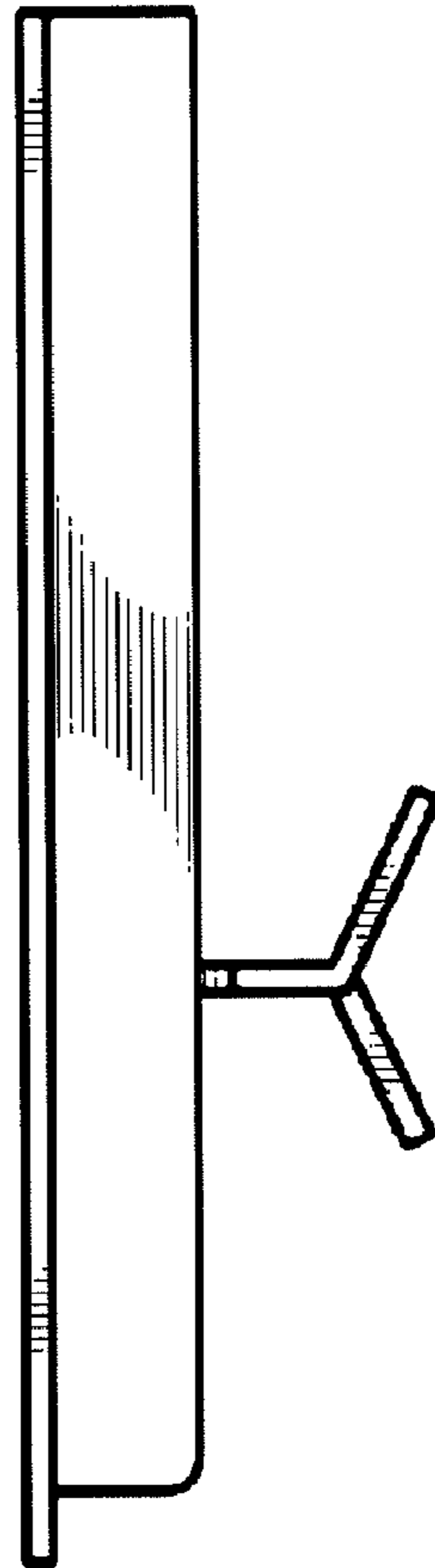


Fig. 7

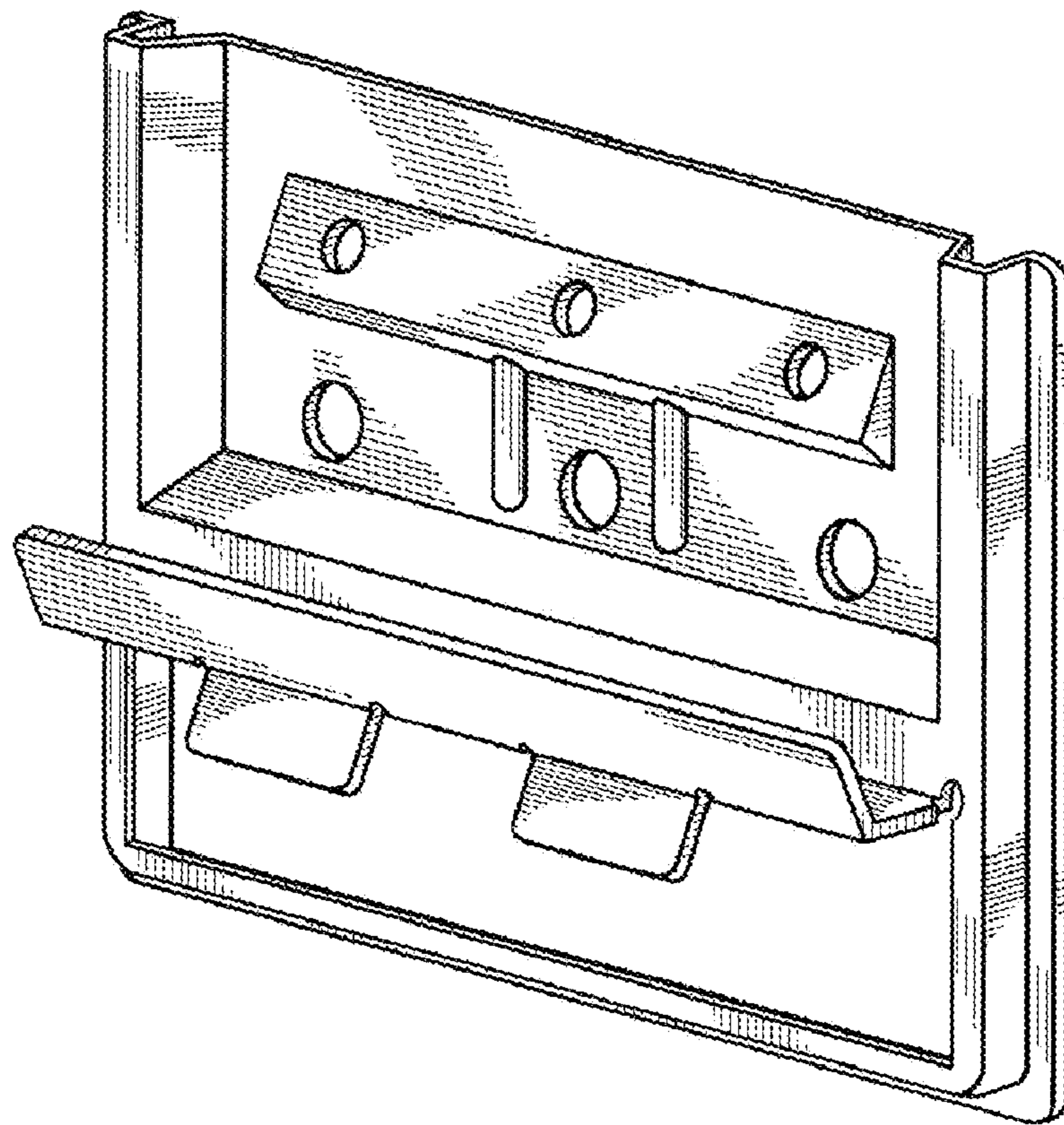
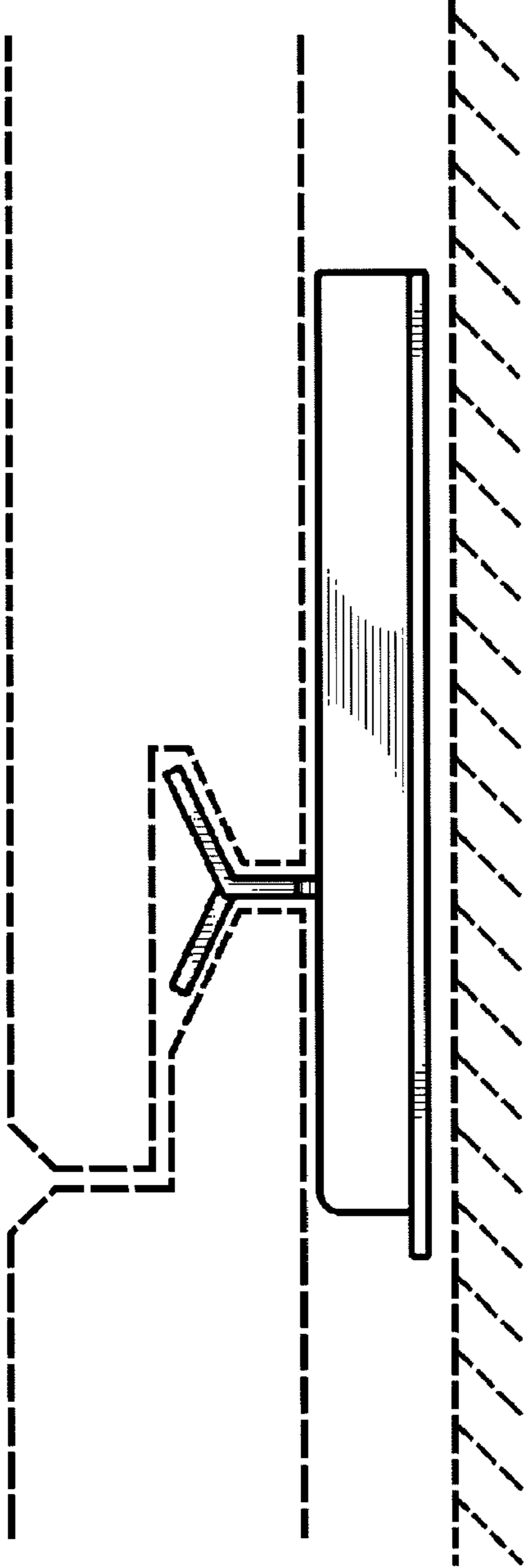




Fig.8



UNITED STATES PATENT AND TRADEMARK OFFICE  
**CERTIFICATE OF CORRECTION**

PATENT NO. : Des. 610,899 S  
APPLICATION NO. : 29/332333  
DATED : March 2, 2010  
INVENTOR(S) : Satoshi Hikai

Page 1 of 1

It is certified that error appears in the above-identified patent and that said Letters Patent is hereby corrected as shown below:

On the title page, item (30) Foreign Priority Application Data should be entered:

**--August 25, 2008 (JP) 2008-021763--.**

Signed and Sealed this

Twenty-fourth Day of August, 2010

A handwritten signature in black ink that reads "David J. Kappos". The signature is written in a cursive, flowing style.

David J. Kappos  
*Director of the United States Patent and Trademark Office*