



US00D610894S

(12) **United States Design Patent**
Forsythe

(10) **Patent No.:** **US D610,894 S**
(45) **Date of Patent:** **** Mar. 2, 2010**

- (54) **PLIER NAIL AND STAPLE PULLER**
- (76) Inventor: **Kevin N. Forsythe**, 3804 E. Crystal Lake Ave., Crystal Lake, IL (US) 60014
- (**) Term: **14 Years**
- (21) Appl. No.: **29/316,049**
- (22) Filed: **Aug. 19, 2009**

| | | | | |
|--------------|------|---------|-----------------|--------|
| 6,934,991 | B2 * | 8/2005 | Kinkade | 7/137 |
| D558,013 | S * | 12/2007 | Sykes, II | D8/52 |
| 7,438,278 | B2 * | 10/2008 | Wagner | 254/22 |
| D600,995 | S * | 9/2009 | Forsythe | D8/105 |
| 2002/0056832 | A1 * | 5/2002 | Wagner | 254/22 |
| 2003/0030044 | A1 * | 2/2003 | Youngren et al. | 254/19 |
| 2005/0062025 | A1 * | 3/2005 | Forrester | 254/22 |
| 2005/0211960 | A1 * | 9/2005 | Wagner | 254/22 |
| 2006/0248730 | A1 * | 11/2006 | Miller et al. | 30/175 |

* cited by examiner

Related U.S. Application Data

- (62) Division of application No. 29/335,417, filed on Apr. 15, 2009, now Pat. No. Des. 600,995.

Primary Examiner—Cathron C Brooks

Assistant Examiner—Austin Murphy

(74) *Attorney, Agent, or Firm*—Mathew R.P. Perrone, Jr.; Brie A. Crawford

- (51) **LOC (9) Cl.** **08-05**
- (52) **U.S. Cl.** **D8/105; D8/48**
- (58) **Field of Classification Search** D8/99, D8/58, 55, 52, 356, 107, 105; D19/65; 81/440, 81/427.5; 7/160, 138, 128, 118, 109, 130, 7/137; 30/298.4, 162, 161, 155; 254/22
See application file for complete search history.

(57) **CLAIM**

The ornamental design for a plier nail and staple puller, as shown and described.

DESCRIPTION

FIG. 1 is a perspective view of a plier nail and staple puller of my invention;

FIG. 2 is a front plan view of a plier nail and staple puller of my invention;

FIG. 3 is a rear plan view thereof, based on FIG. 2;

FIG. 4 is a top plan view thereof, based on FIG. 2;

FIG. 5 is a bottom plan view thereof, based on FIG. 3;

FIG. 6 is a side view thereof, based on FIG. 2; and,

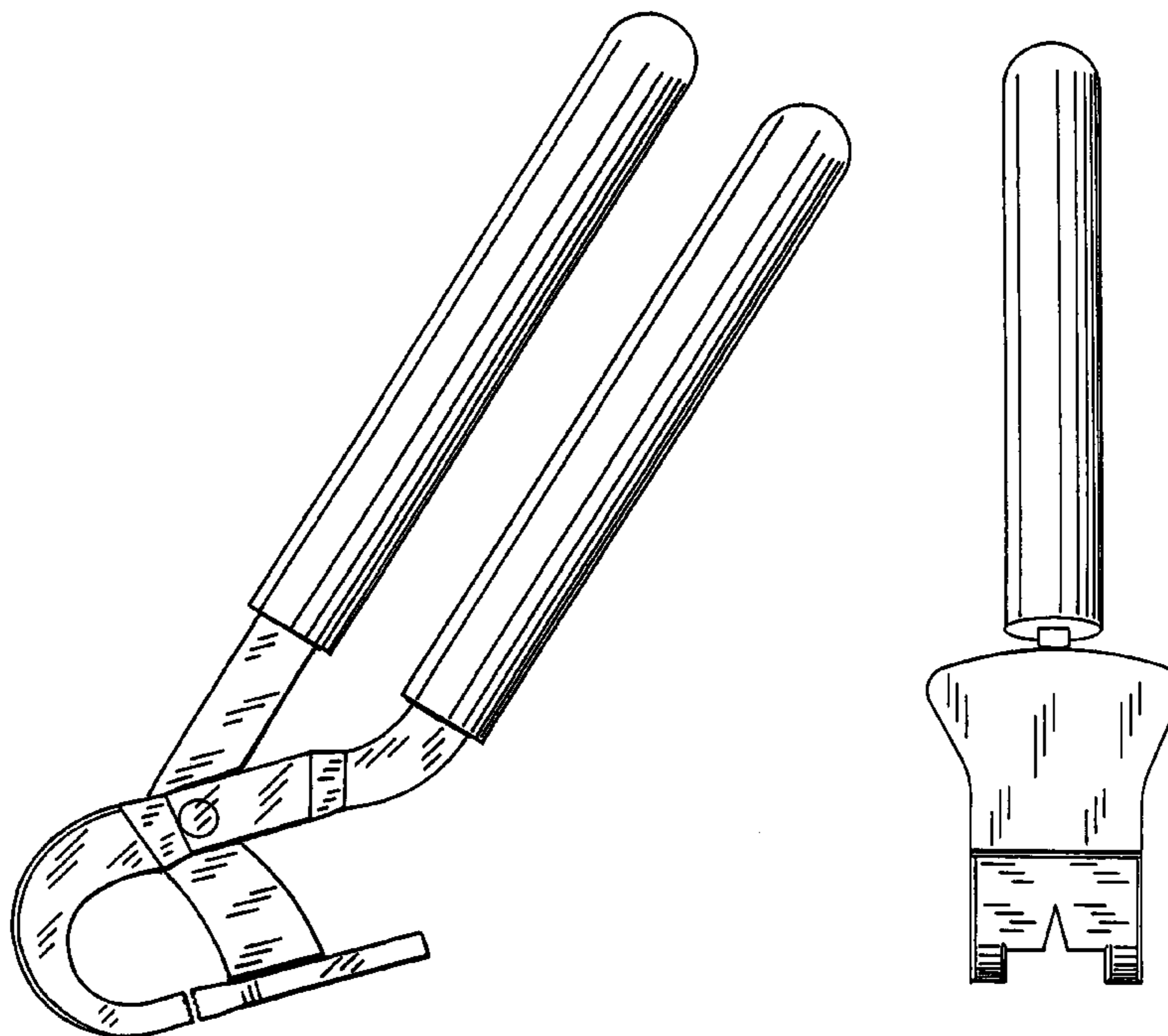
FIG. 7 is a side view thereof and a reverse view of FIG. 6.

(56) **References Cited**

U.S. PATENT DOCUMENTS

| | | | | |
|-----------|------|---------|-----------------|--------|
| 59,131 | A * | 10/1866 | Longshore | 7/109 |
| 562,746 | A * | 6/1896 | Smith | 7/130 |
| 1,387,653 | A * | 8/1921 | Lorentzen | 254/22 |
| 1,452,545 | A * | 4/1923 | Bradley | 254/22 |
| D368,417 | S * | 4/1996 | Hebert | D8/52 |
| D470,384 | S * | 2/2003 | Makedonski | D8/105 |
| 6,629,684 | B2 * | 10/2003 | Youngren et al. | 254/19 |
| 6,733,001 | B2 * | 5/2004 | Wagner | 254/22 |
| 6,886,810 | B2 * | 5/2005 | Forrester | 254/22 |

1 Claim, 5 Drawing Sheets



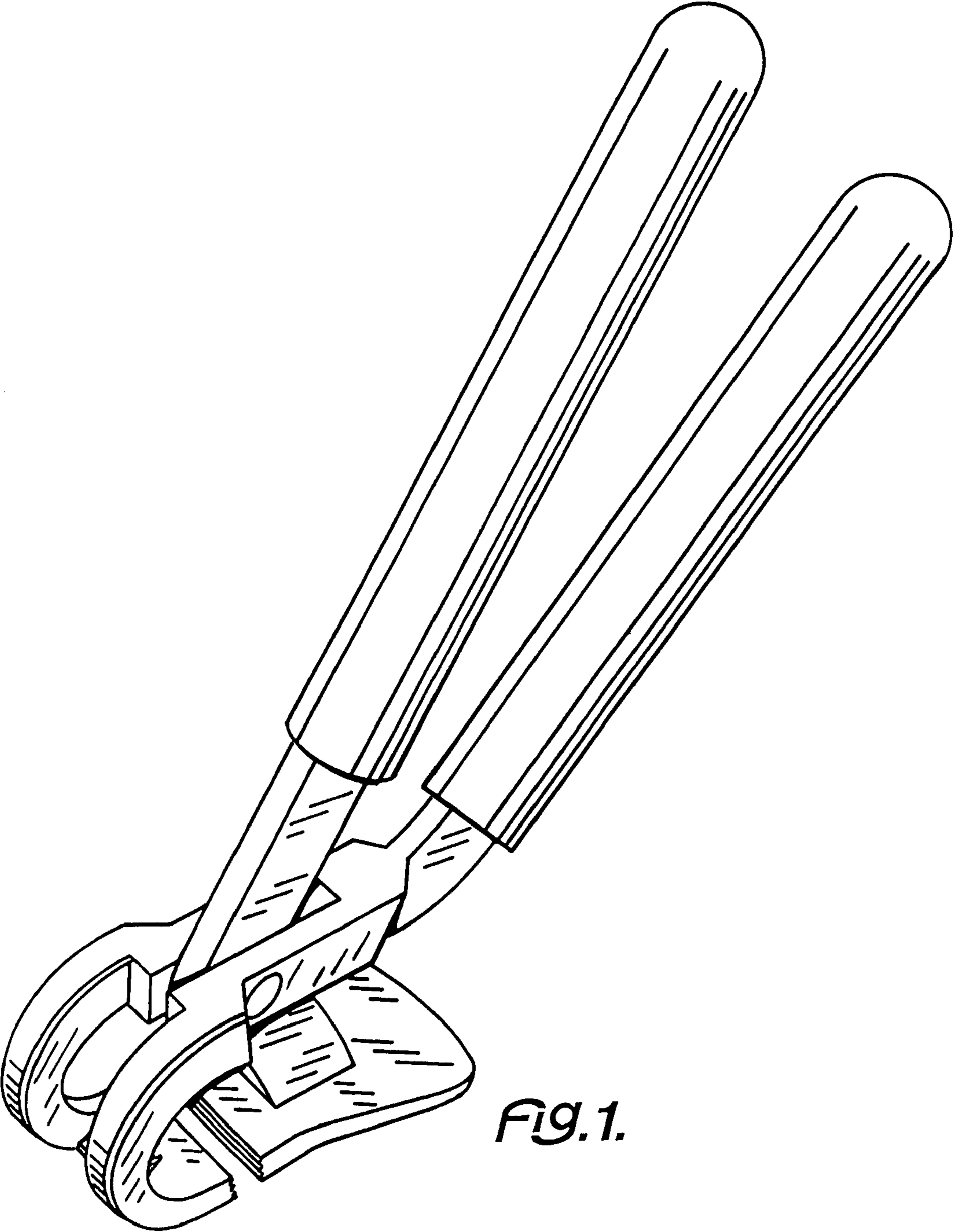


FIG. 1.

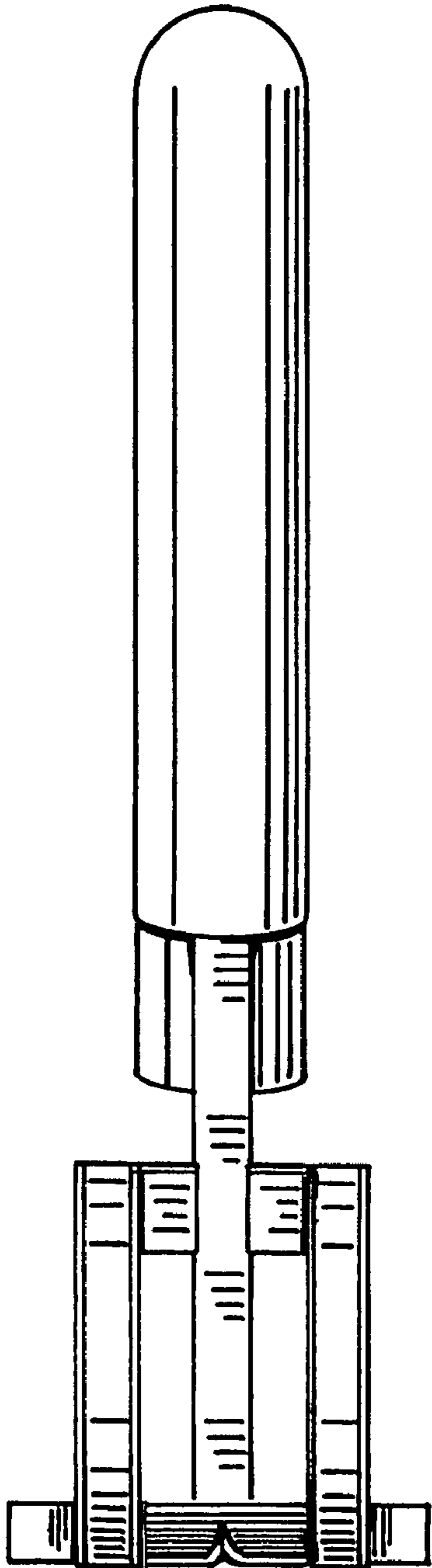


Fig. 2.

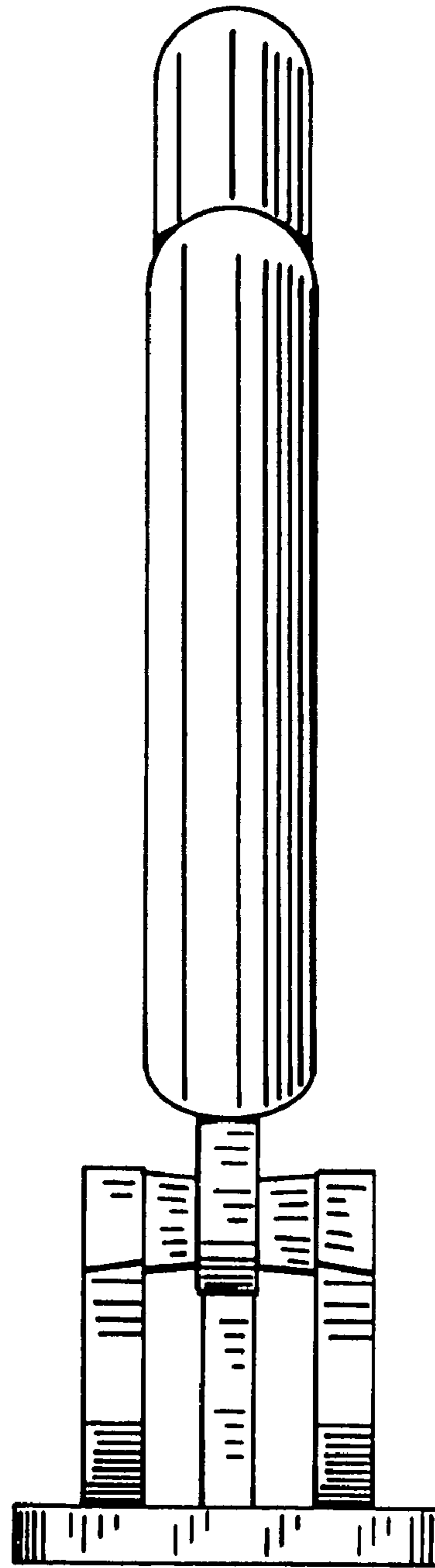


Fig. 3.

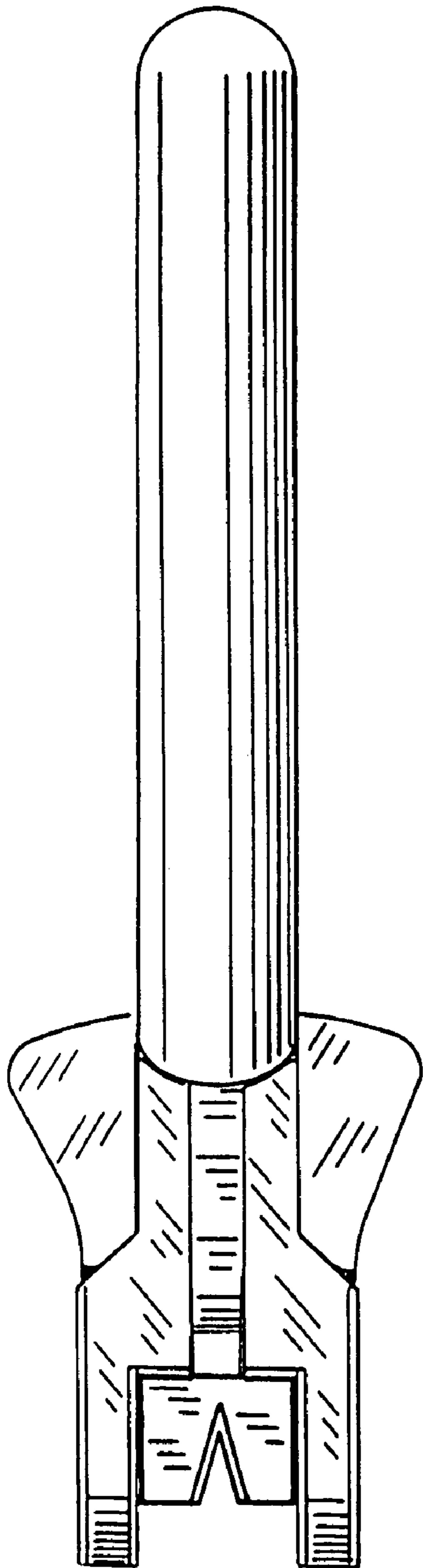


Fig. 4.

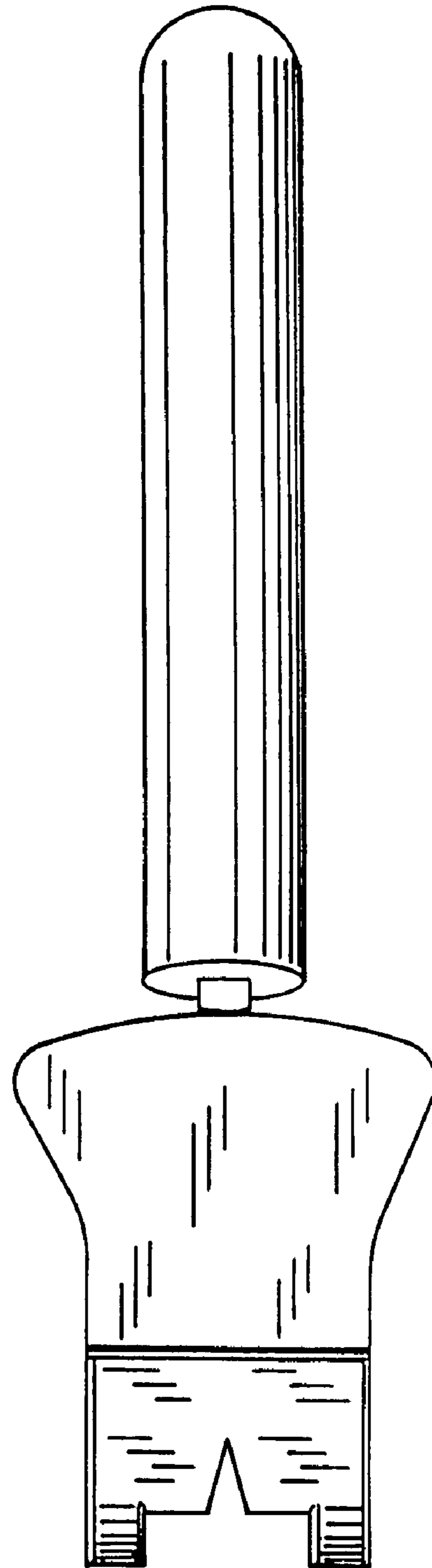
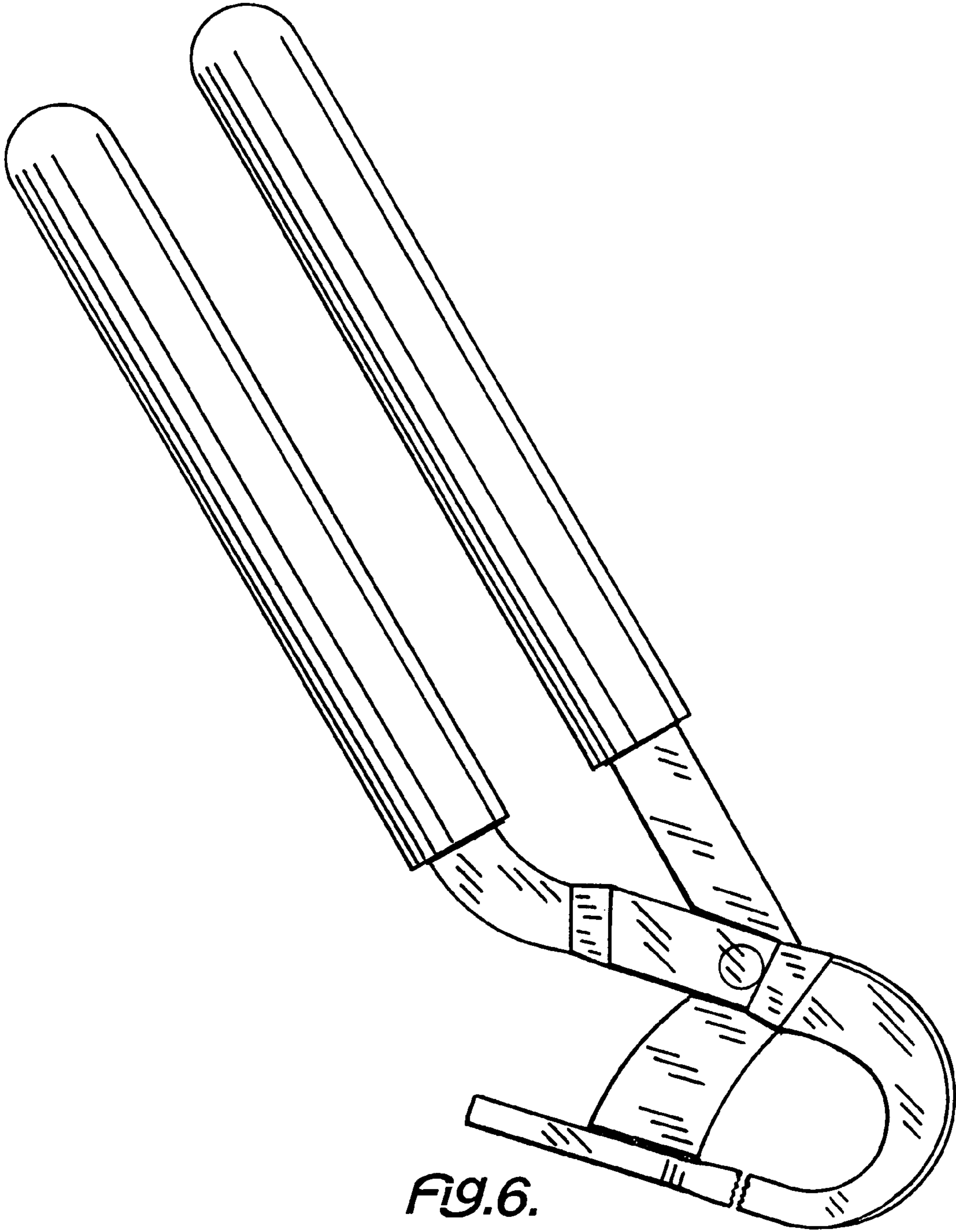


Fig. 5.



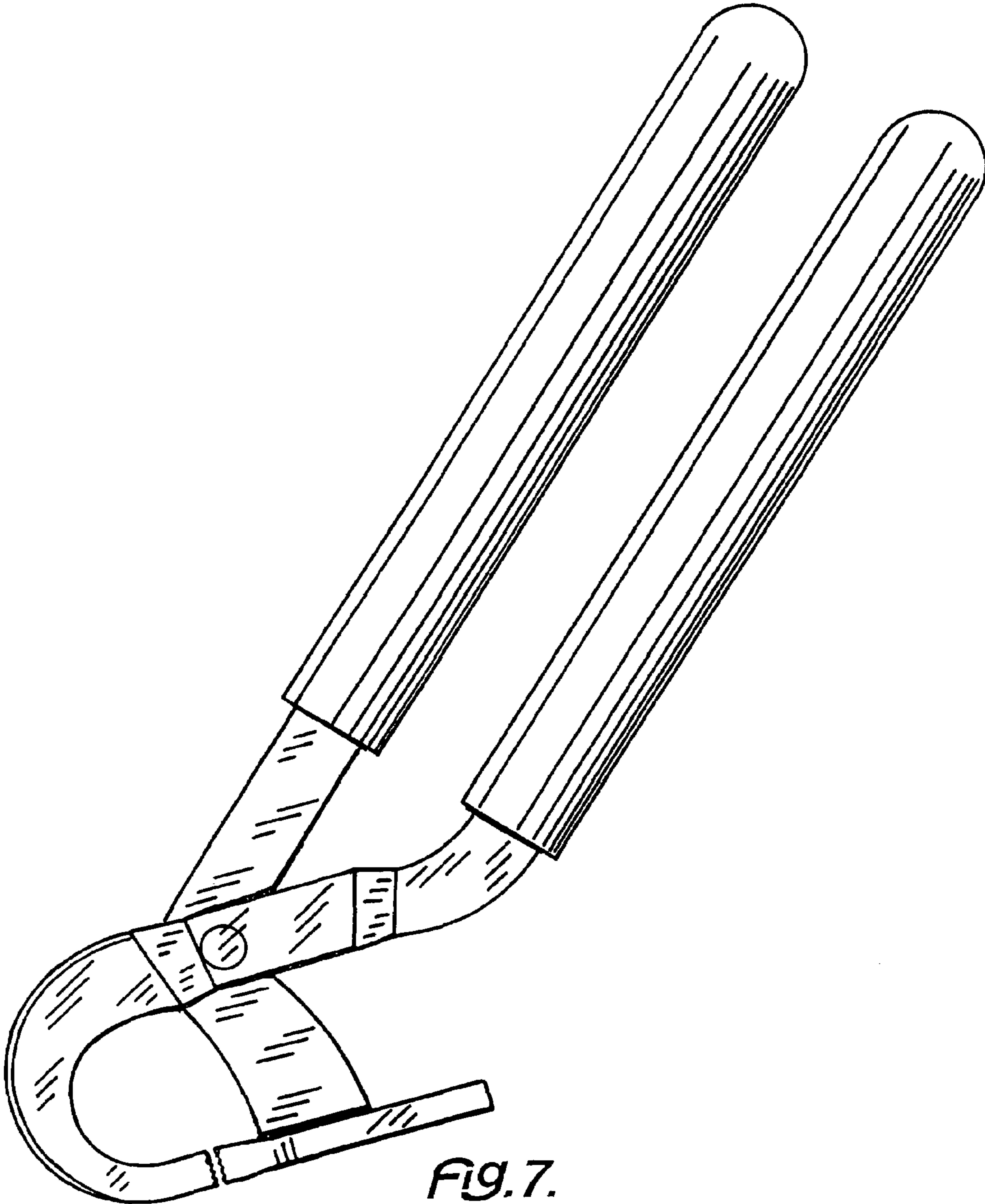


FIG. 7.