



US00D610893S

(12) **United States Design Patent**  
**Mudrick**

(10) **Patent No.:** **US D610,893 S**  
(45) **Date of Patent:** **\*\* Mar. 2, 2010**

(54) **POCKET TOOL**

WO 99/56918 A1 11/1999  
WO DM/064948 9/2003

(75) Inventor: **David Mudrick**, Prescott, AZ (US)

(Continued)

(73) Assignee: **Orion Photo Industries, Inc.**, Prescott, AZ (US)

**OTHER PUBLICATIONS**

(\*\*) Term: **14 Years**

Wenger Swiss Pocket Knives Cigar Cutter with Scissors. Downloaded Nov. 15, 2009 at <http://images.google.com/imgres?imgurl=http://images1.opticsplanet.com/640-640/opplanet-wenger-s...>\*

(21) Appl. No.: **29/330,248**

(Continued)

(22) Filed: **Dec. 31, 2008**

*Primary Examiner*—Philip S Hyder  
*Assistant Examiner*—Roselyne Cody

(51) **LOC (9) Cl.** ..... **08-03**

(52) **U.S. Cl.** ..... **D8/99; D8/105**

(58) **Field of Classification Search** ..... D3/208,  
D3/210; D8/98, 99, 105; D7/118; D21/532;  
30/151-162, 164

(74) *Attorney, Agent, or Firm*—Santangelo Law Offices

See application file for complete search history.

(57) **CLAIM**

The ornamental design for a pocket tool, as shown and described.

(56) **References Cited**

**DESCRIPTION**

**U.S. PATENT DOCUMENTS**

1,115,780	A *	11/1914	Champlin	7/119
1,200,079	A *	10/1916	Christensen et al.	81/3.35
2,736,959	A	3/1956	Simon et al.	
4,854,045	A	8/1989	Schaub	
4,908,947	A	3/1990	Schaub	
D350,271	S *	9/1994	Landy et al.	D8/99
D364,327	S *	11/1995	Graham	D8/105
D413,246	S *	8/1999	Kayson et al.	D8/99
D433,915	S *	11/2000	Elsener, Sr.	D8/105

FIG. 1 is a back view thereof;  
FIG. 2 is a front view thereof;  
FIG. 3 is a top view thereof;  
FIG. 4 is a bottom view thereof;  
FIG. 5 is a first side view thereof; and  
FIG. 6 is a second side view thereof; and,  
FIG. 7 is a front view with text in broken lines thereof.

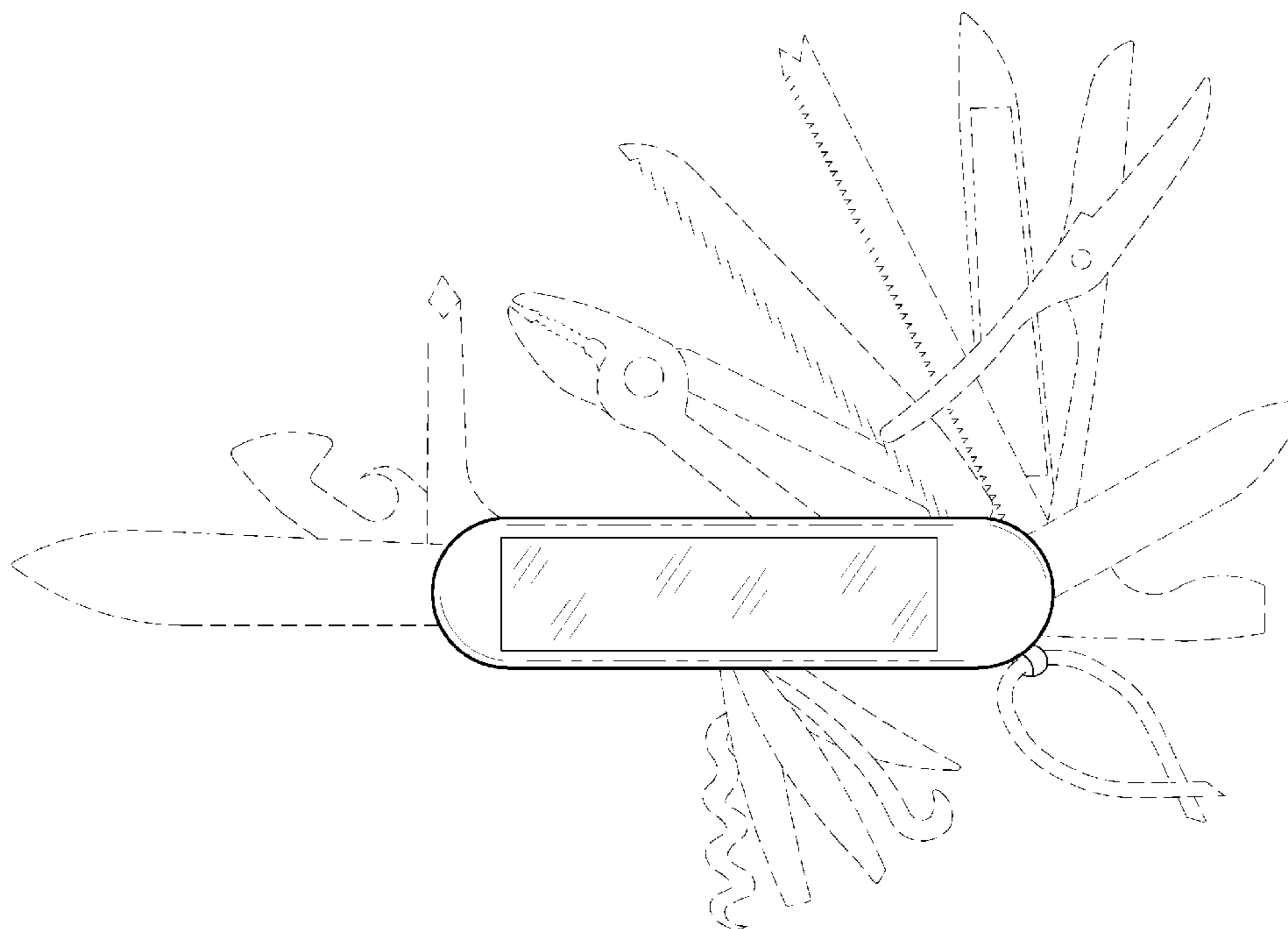
(Continued)

The broken lines in the figures illustrate aspects of the design that form no part of the claim.

**FOREIGN PATENT DOCUMENTS**

EM 000540885-0001 6/2006

**1 Claim, 5 Drawing Sheets**



# US D610,893 S

Page 2

---

## U.S. PATENT DOCUMENTS

6,219,869 B1 \* 4/2001 Burba ..... 7/118  
D446,436 S 8/2001 Christianson  
6,273,582 B1 8/2001 Taggart et al.  
D450,993 S \* 11/2001 Kayson et al. .... D8/99  
D462,002 S \* 8/2002 Jean et al. .... D8/105  
D469,677 S 2/2003 Hung  
6,749,318 B1 6/2004 Palacios  
D494,438 S 8/2004 Falkenstein et al.  
D522,519 S 6/2006 Rubin et al.  
7,059,741 B2 6/2006 Elsener  
7,146,667 B2 12/2006 Elsener  
7,306,366 B1 12/2007 Camenzind et al.  
7,373,681 B2 5/2008 Elsener  
2001/0034910 A1 11/2001 Taggart et al.

2004/0141313 A1 7/2004 Elsener  
2005/0081302 A1 4/2005 Elsener  
2005/0241071 A1 11/2005 Camenzind et al.  
2007/0050911 A1 3/2007 Elsener

## FOREIGN PATENT DOCUMENTS

WO 2004/069488 A1 1/2004

## OTHER PUBLICATIONS

<http://giftfairy.manufacturer.globalsources.com/si/6008826415542/pdtl/Multi-tool/1009175263/Multi-tool.htm>  
<http://www.madeinchina.com/2269278/P4373904/Multi-tool.shtml>  
<http://www.globalsources.com>.

\* cited by examiner

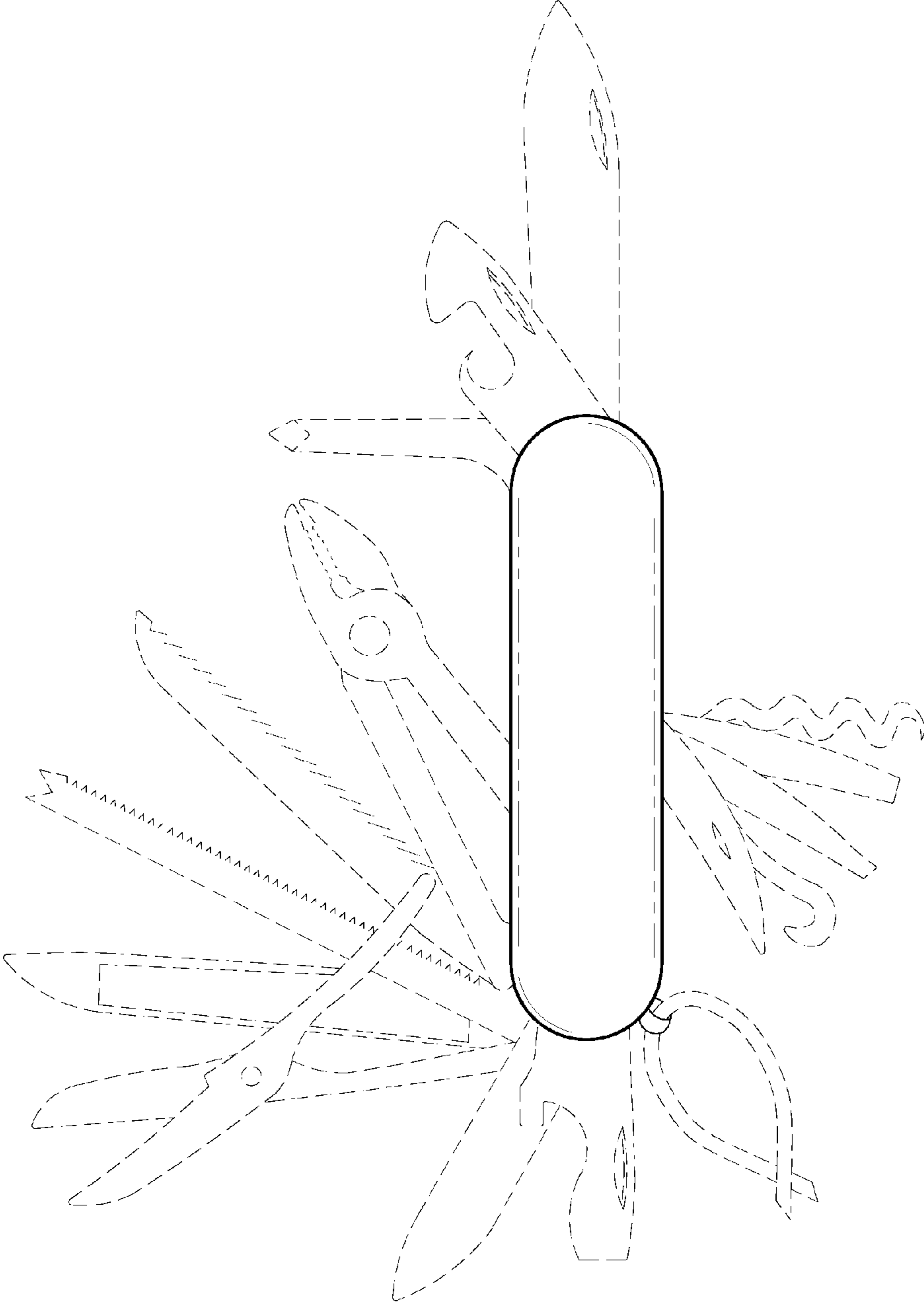


Fig. 1

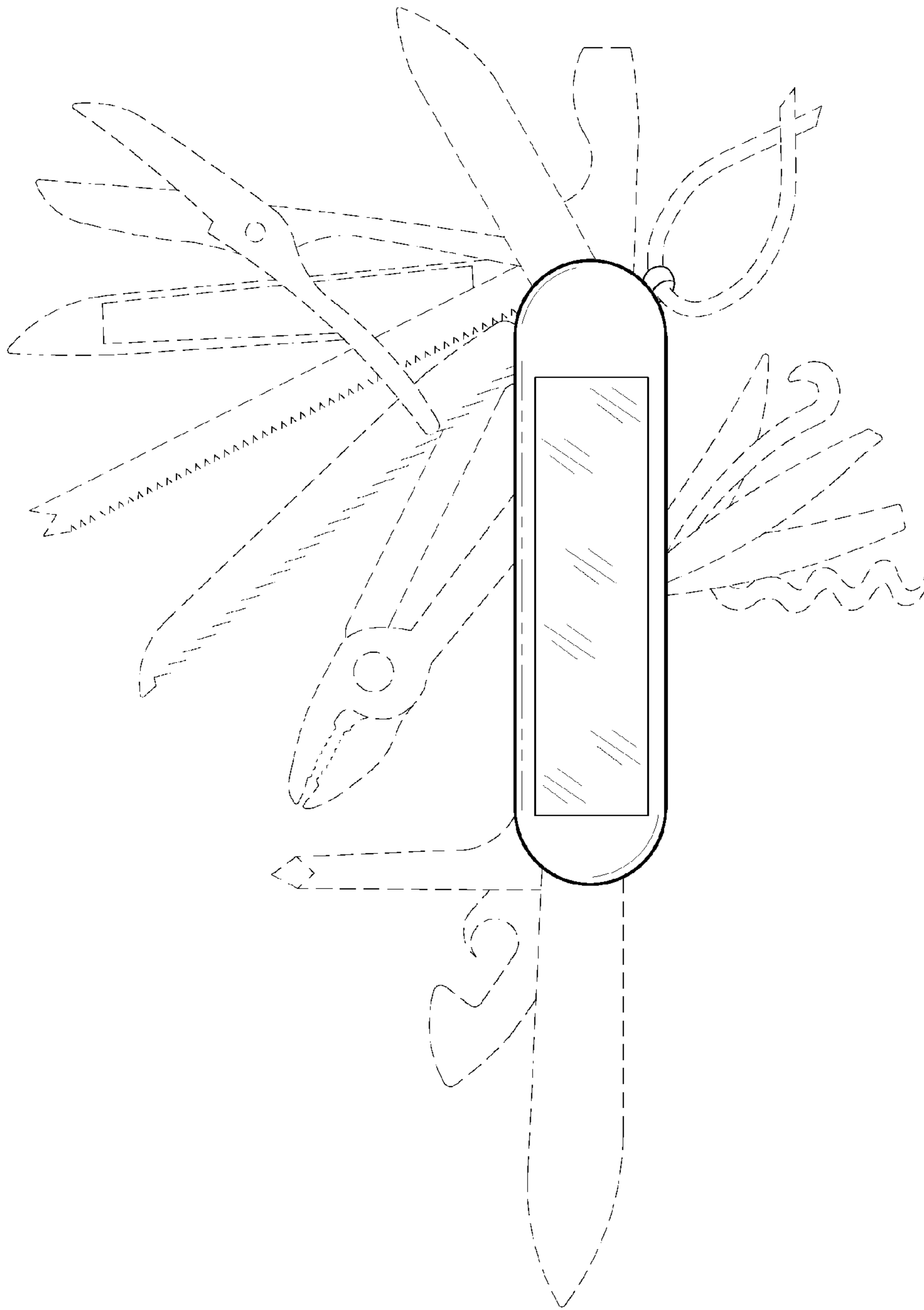


Fig. 2

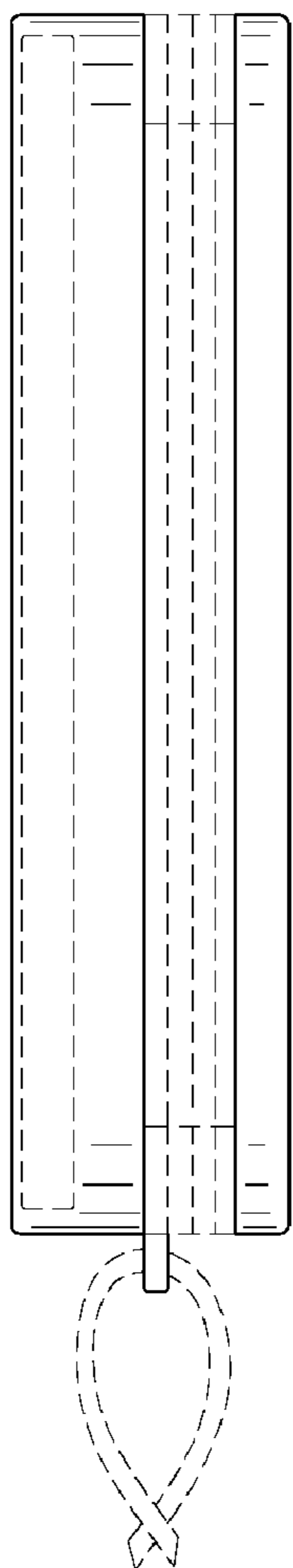


Fig. 3

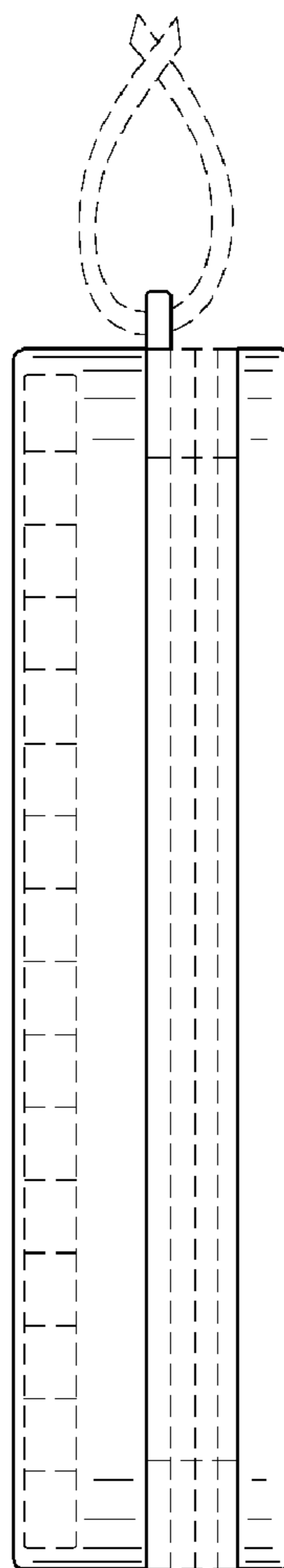


Fig. 4

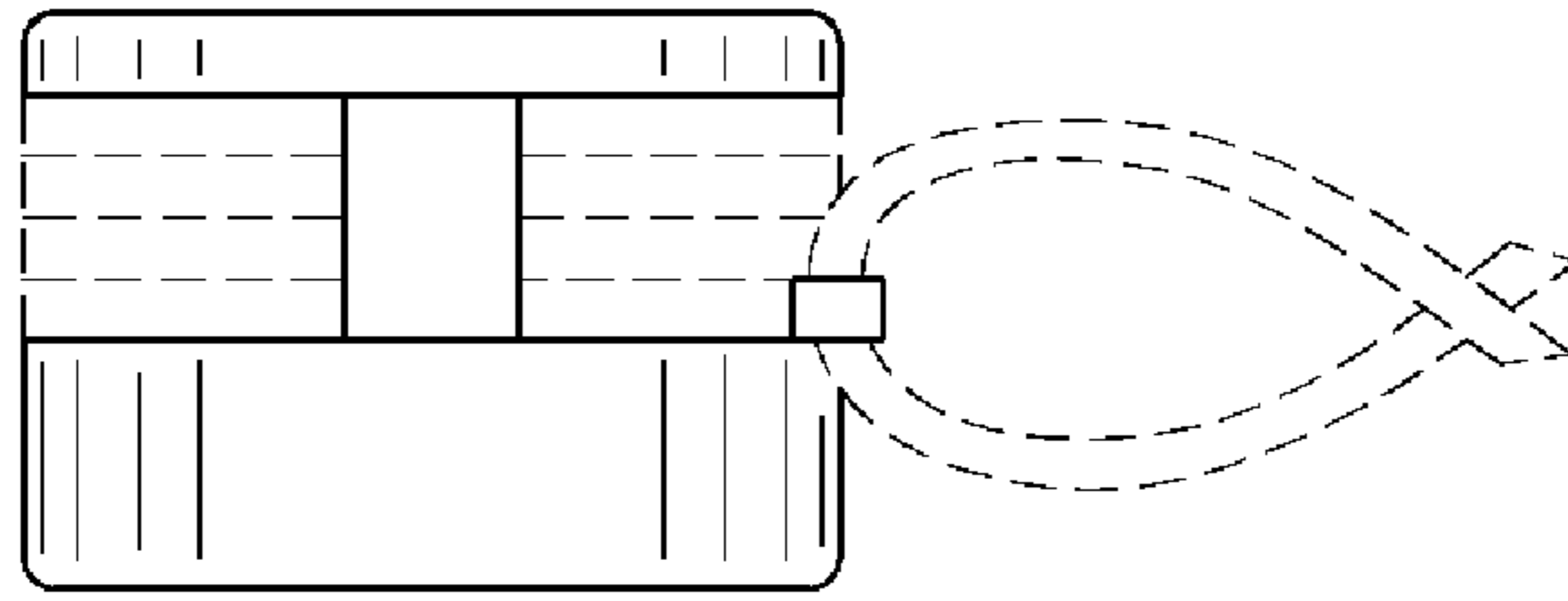


Fig. 5

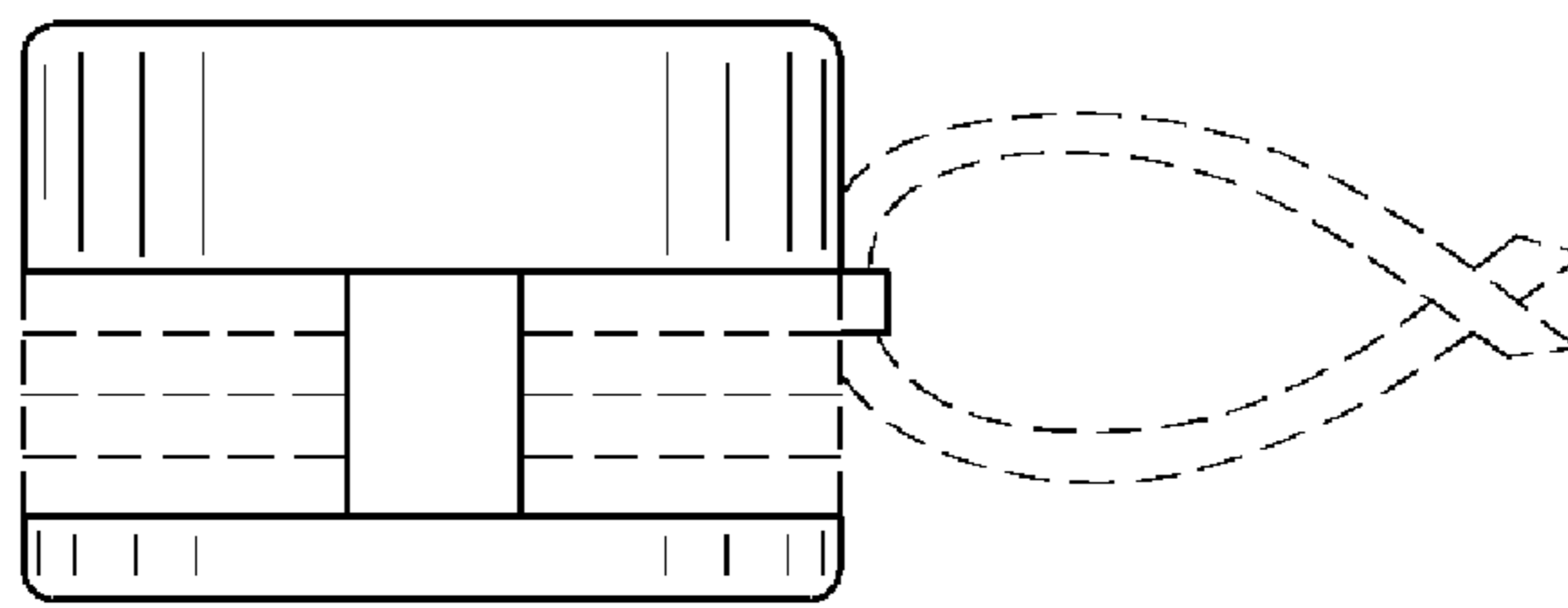


Fig. 6

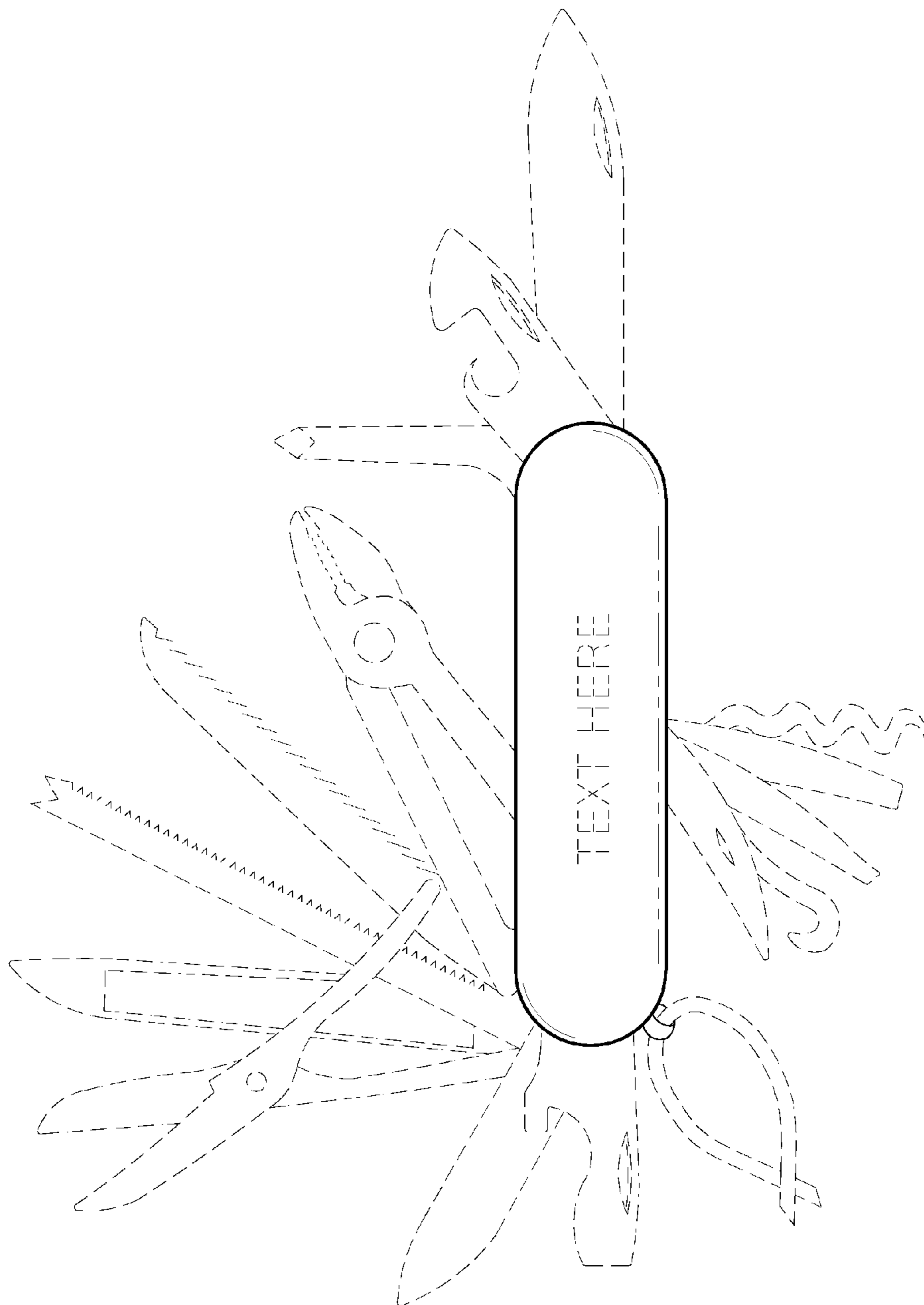


Fig. 7