



US00D610892S

(12) **United States Design Patent**
Garcia et al.

(10) **Patent No.:** **US D610,892 S**
(45) **Date of Patent:** **** Mar. 2, 2010**

(54) **UTILITY KNIFE HANDLE**

D579,299 S * 10/2008 Ping D8/99
D583,643 S * 12/2008 Ping D8/99
D584,125 S * 1/2009 Ping D8/99

(75) Inventors: **Michael Garcia**, Oakland Park, FL
(US); **Glenn Robinson**, Coral Springs,
FL (US)

* cited by examiner

(73) Assignee: **IBT Holdings, Inc.**, Deerfield Beach, FL
(US)

Primary Examiner—Philip S Hyder
(74) *Attorney, Agent, or Firm*—Dan De La Rosa

(**) Term: **14 Years**

(57) **CLAIM**

(21) Appl. No.: **29/310,731**

The ornamental design for a utility knife handle, as shown and described.

(22) Filed: **Sep. 8, 2008**

DESCRIPTION

(51) **LOC (9) Cl.** **08-03**

FIG. 1 is a right side perspective view of the utility knife with removable blade of the present invention showing my new design in an unfolded position;

(52) **U.S. Cl.** **D8/99**

FIG. 2 is a left side perspective view thereof;

(58) **Field of Classification Search** D8/98,
D8/99; 30/162, 320, 335, 336, 337, 125,
30/155, 156, 157, 158

FIG. 3 is a top plan view thereof;

See application file for complete search history.

FIG. 4 is bottom plan view thereof;

(56) **References Cited**

FIG. 5 is a front elevational view thereof;

U.S. PATENT DOCUMENTS

FIG. 6 is a rear elevational view thereof;

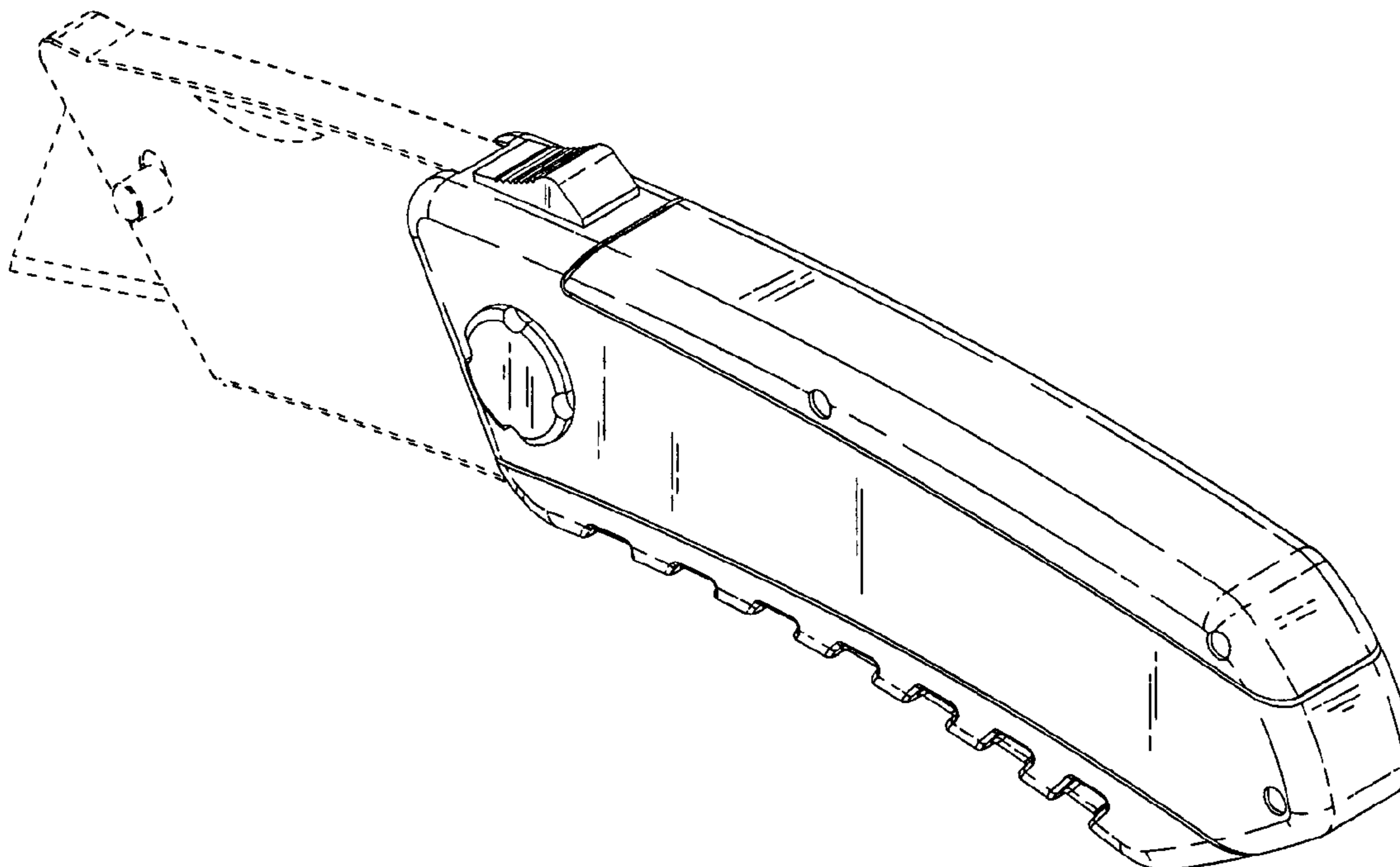
6,688,003	B2 *	2/2004	Scarla	30/156
D494,437	S *	8/2004	Scarla	D8/99
6,915,577	B2 *	7/2005	Scala	30/156
D510,250	S *	10/2005	Ping	D8/99
6,951,055	B1 *	10/2005	Collins	30/162
D519,817	S *	5/2006	Wong	D8/99
D528,895	S *	9/2006	Ping	D8/99
D560,998	S *	2/2008	Farland	D8/99

FIG. 7 is a right side elevational view thereof; and,

FIG. 8 is a left side elevational view thereof.

The broken lines show that the blade holder and blade are included for the purpose of illustrating environment and forms no part of the design.

1 Claim, 5 Drawing Sheets



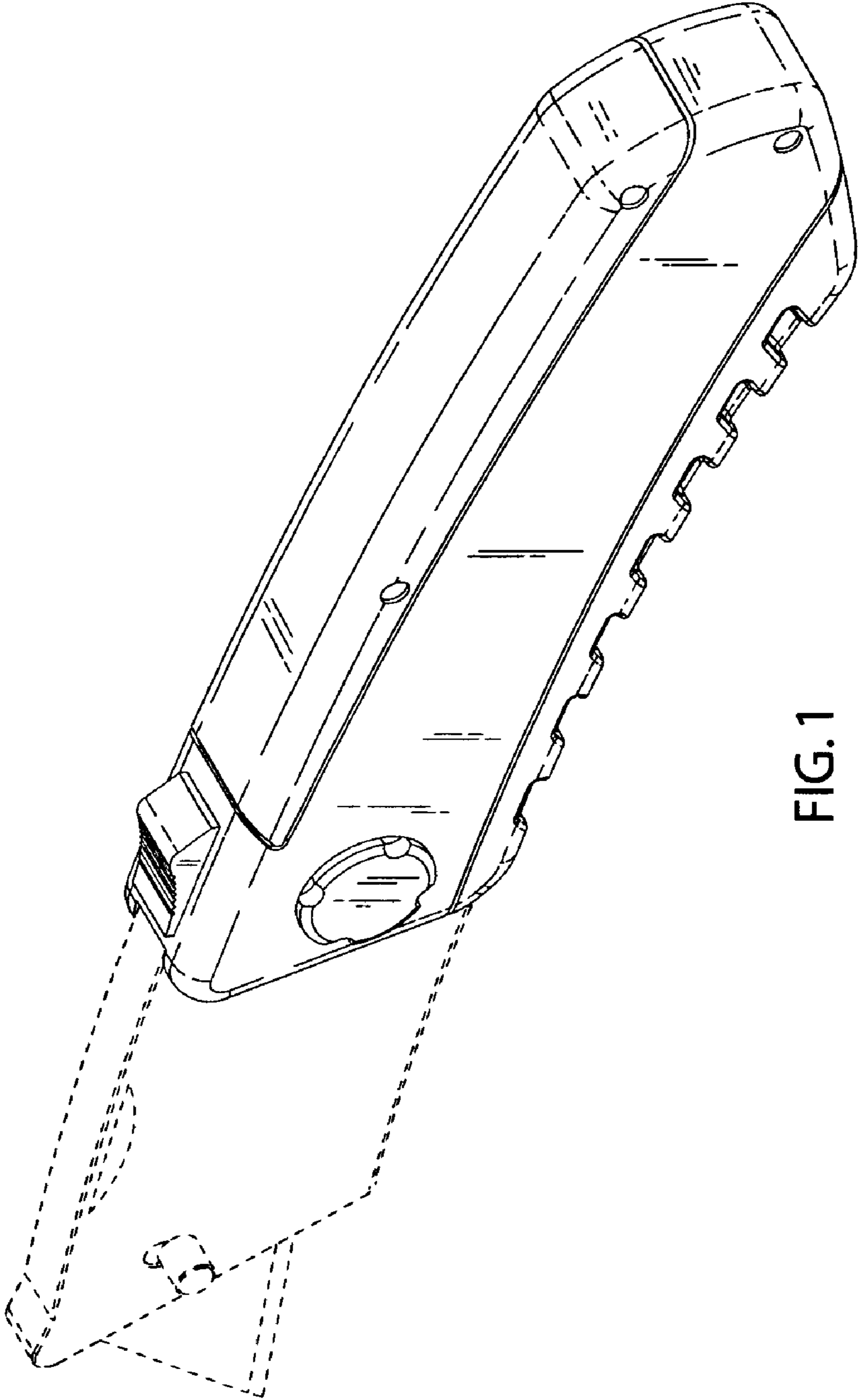


FIG. 1

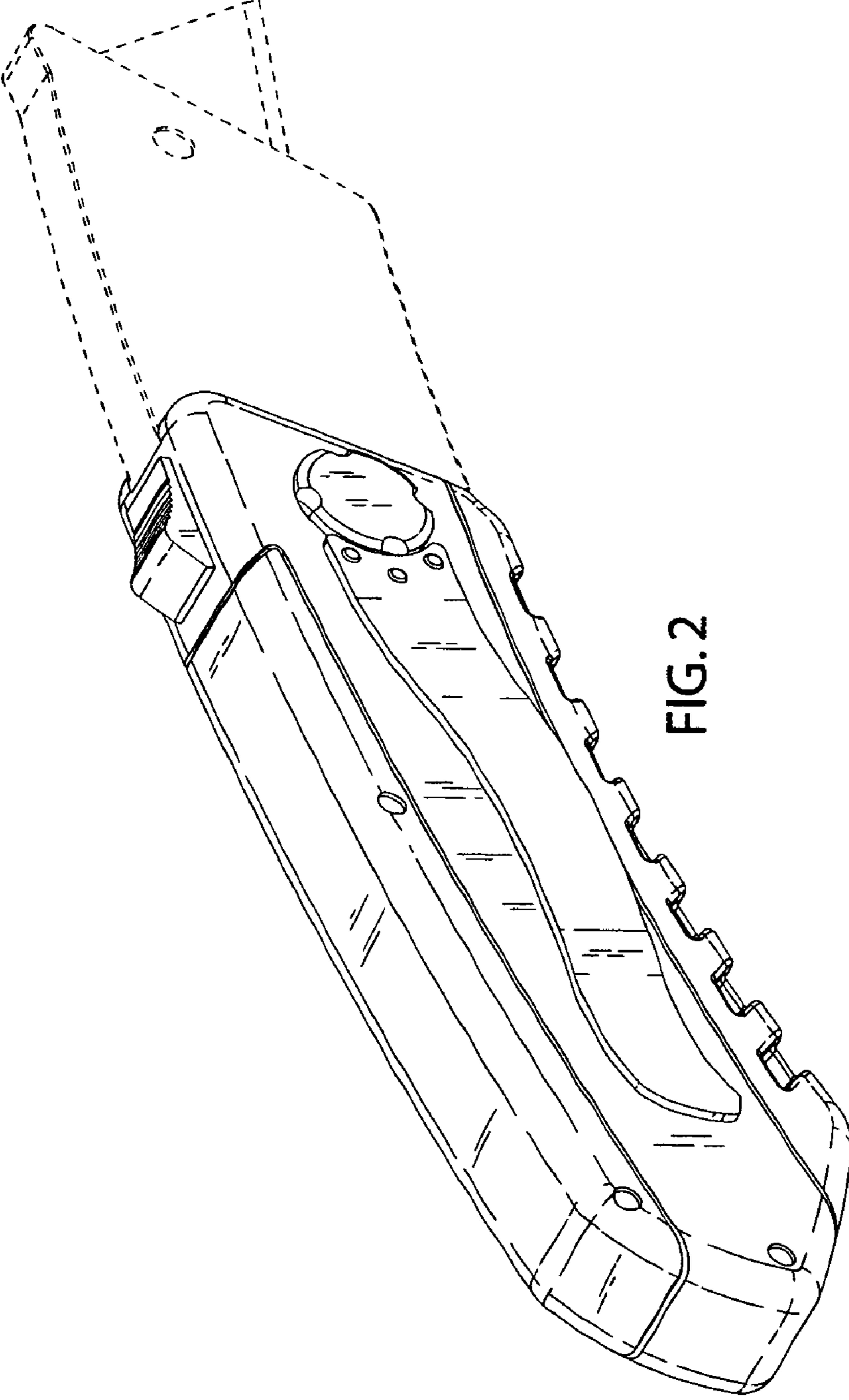


FIG. 2

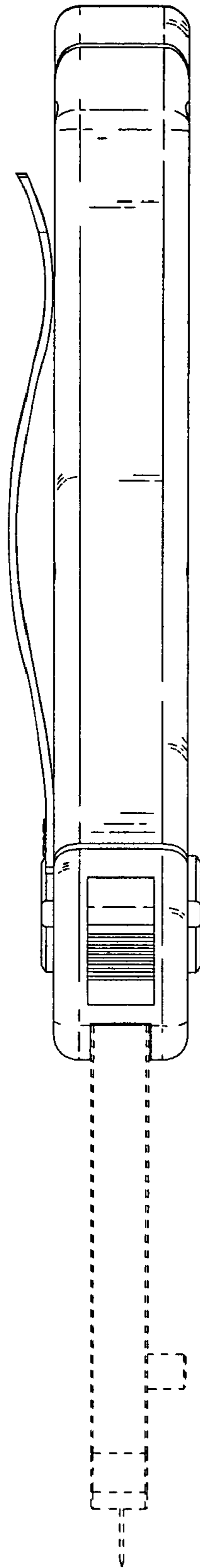


FIG. 3

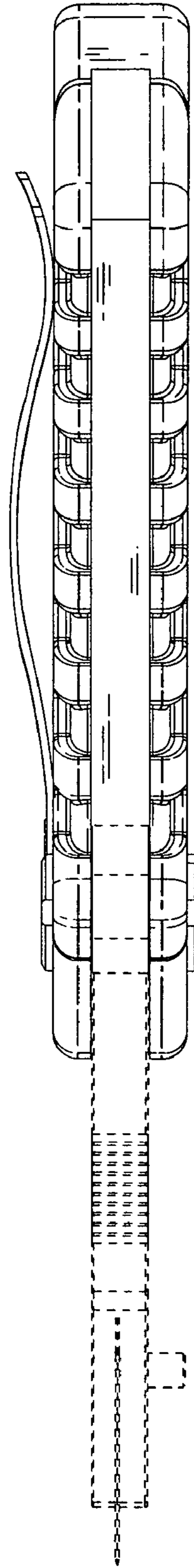


FIG. 4

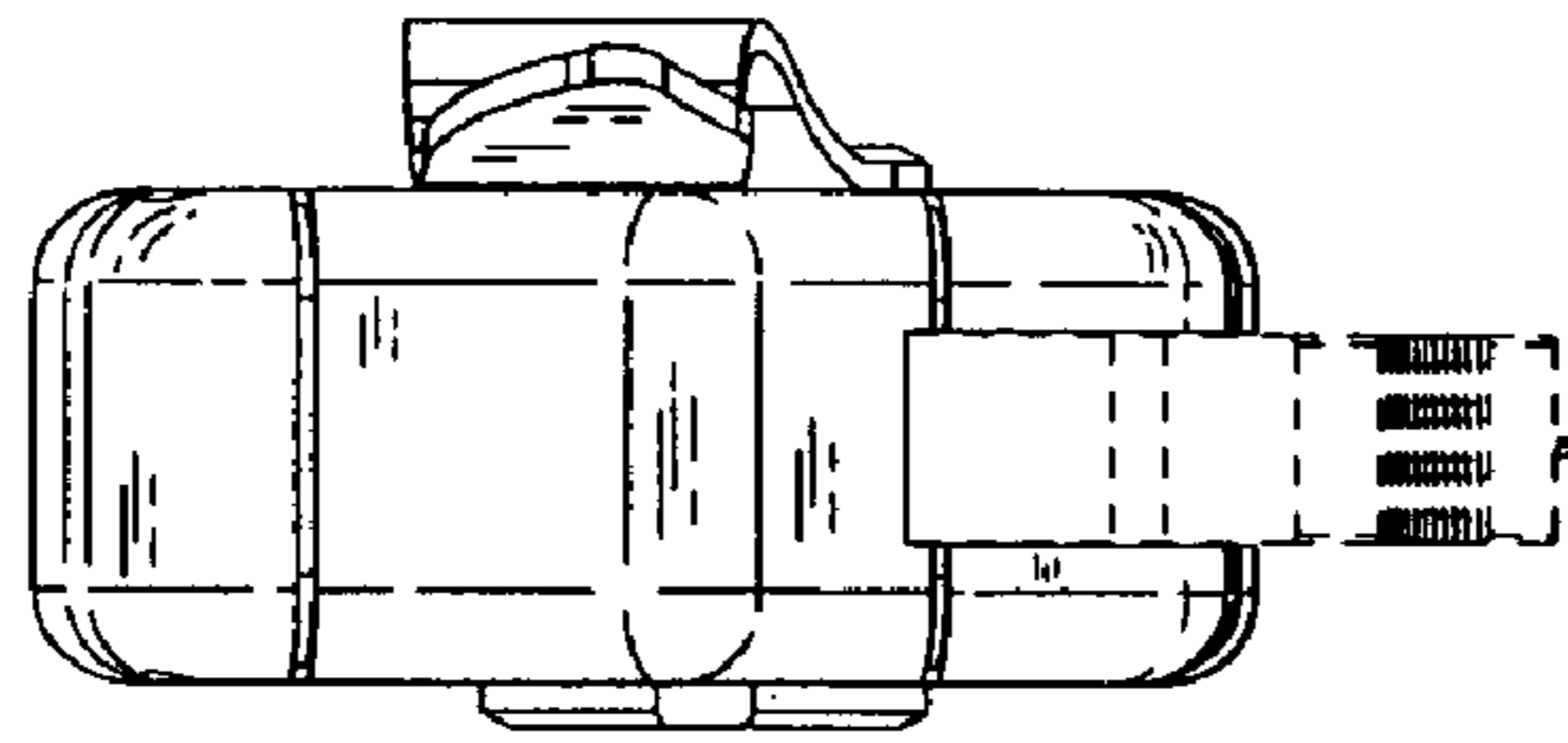


FIG. 6

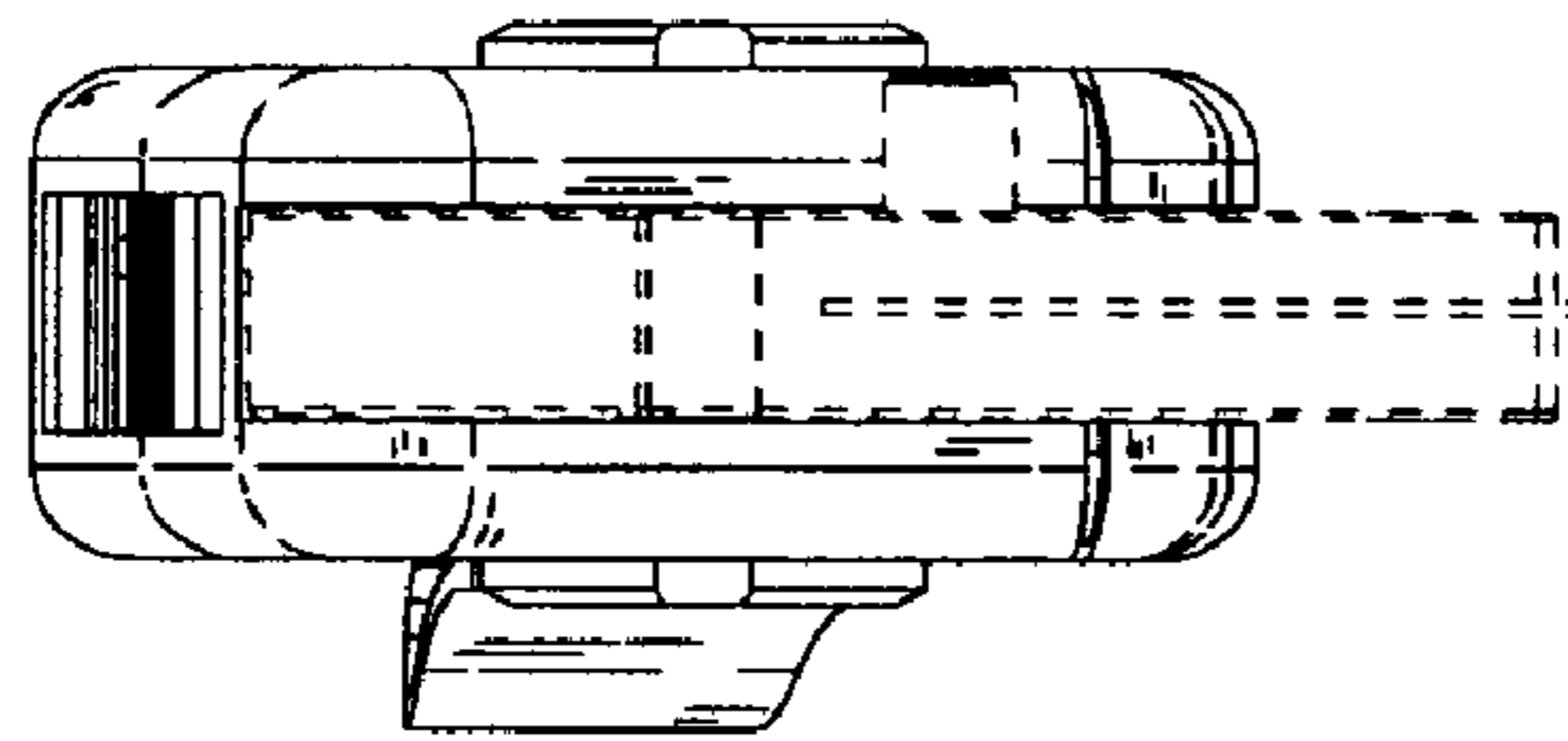


FIG. 5

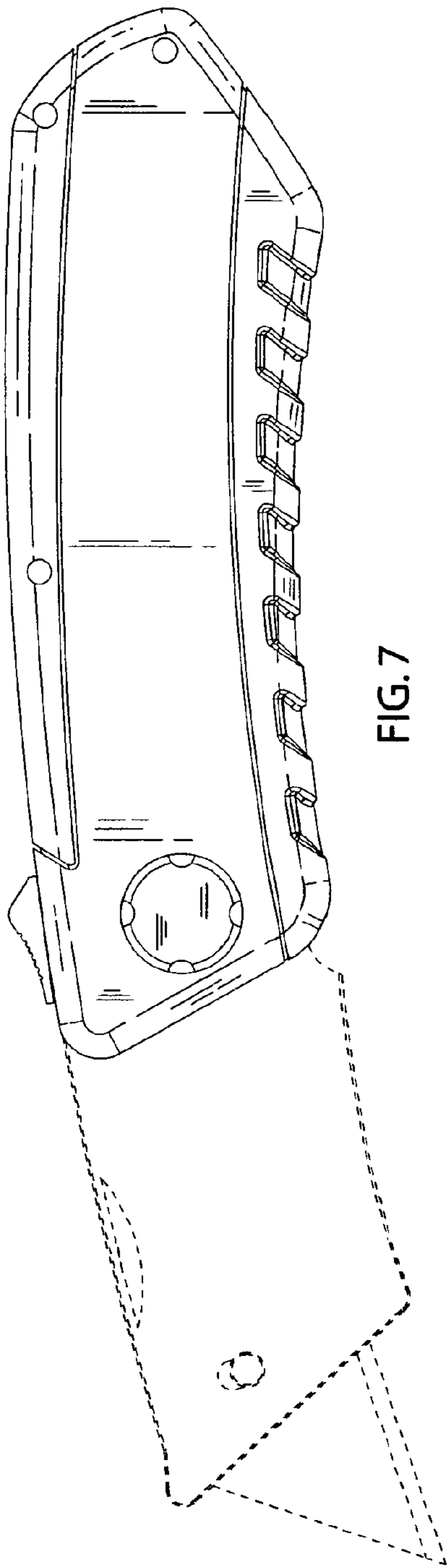


FIG. 7

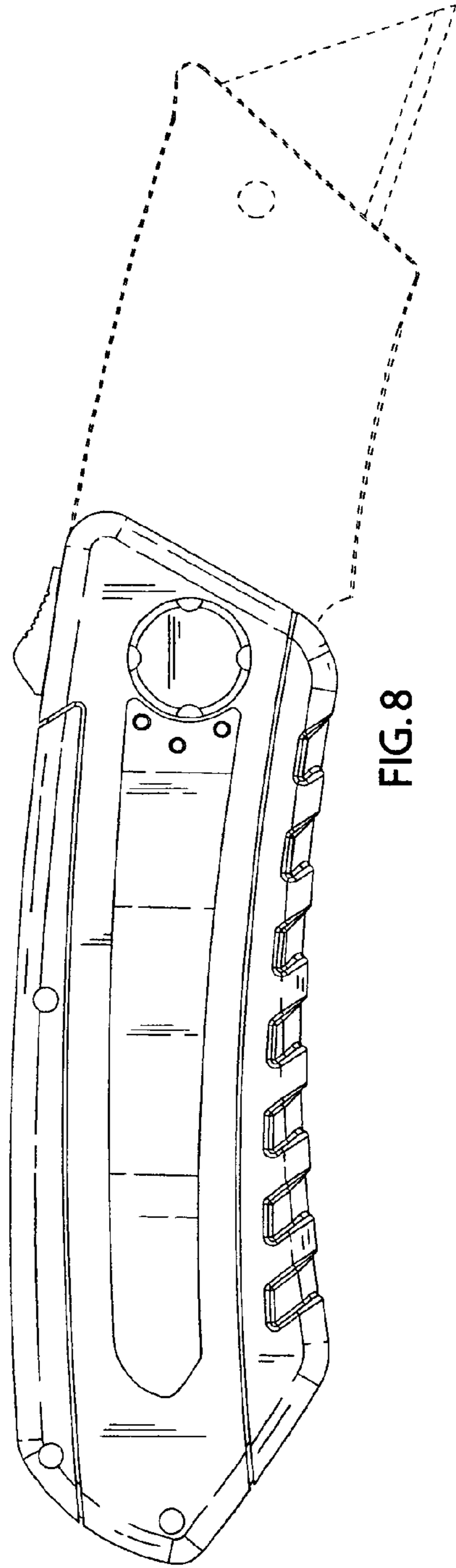


FIG. 8