



US00D610890S

(12) **United States Design Patent**
Collins

(10) **Patent No.:** **US D610,890 S**
(45) **Date of Patent:** **** Mar. 2, 2010**

(54) **WET SAW ROLL CAGE**

(75) Inventor: **Kipp P. Collins**, The Woodlands, TX
(US)

(73) Assignee: **M-D Building Products, Inc.**,
Oklahoma City, OK (US)

(**) Term: **14 Years**

(21) Appl. No.: **29/336,559**

(22) Filed: **May 5, 2009**

(51) **LOC (9) Cl.** **08-05**
(52) **U.S. Cl.** **D8/70**
(58) **Field of Classification Search** D8/70;
125/35; 123/2; 417/234; 455/3.02
See application file for complete search history.

(56) **References Cited**

U.S. PATENT DOCUMENTS

D317,394 S * 6/1991 Goldstein D8/71
2004/0168653 A1* 9/2004 Radtke 123/2

2005/0130583 A1* 6/2005 Troutman 455/3.02
2006/0067836 A1* 3/2006 Smith et al. 417/234
2008/0273994 A1* 11/2008 Sadkowski et al. 417/234

* cited by examiner

Primary Examiner—Antoine D Davis

(74) *Attorney, Agent, or Firm*—Tomlinson & O’Connell, PC

(57) **CLAIM**

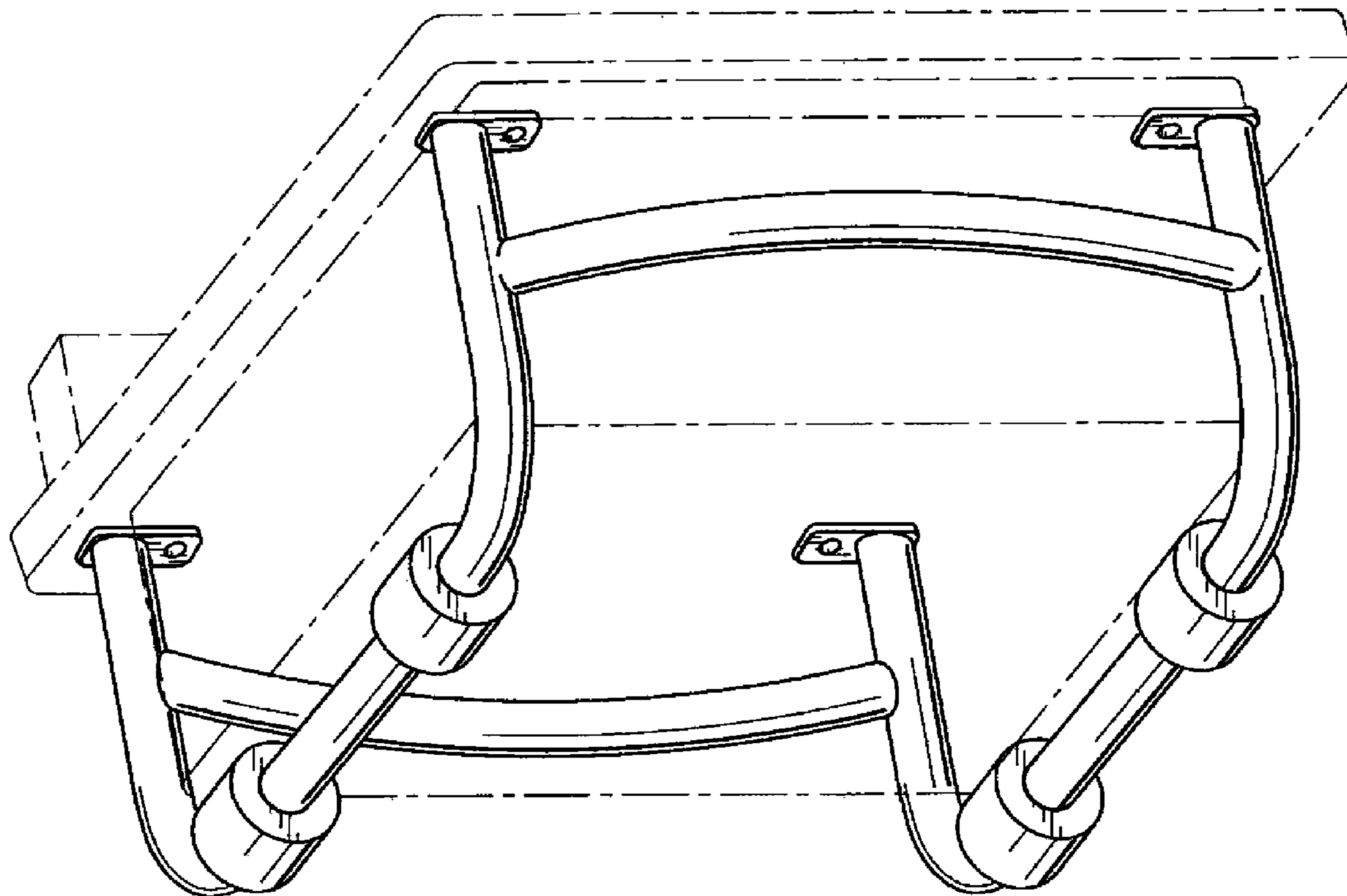
The ornamental design for a wet saw roll cage, as shown and described.

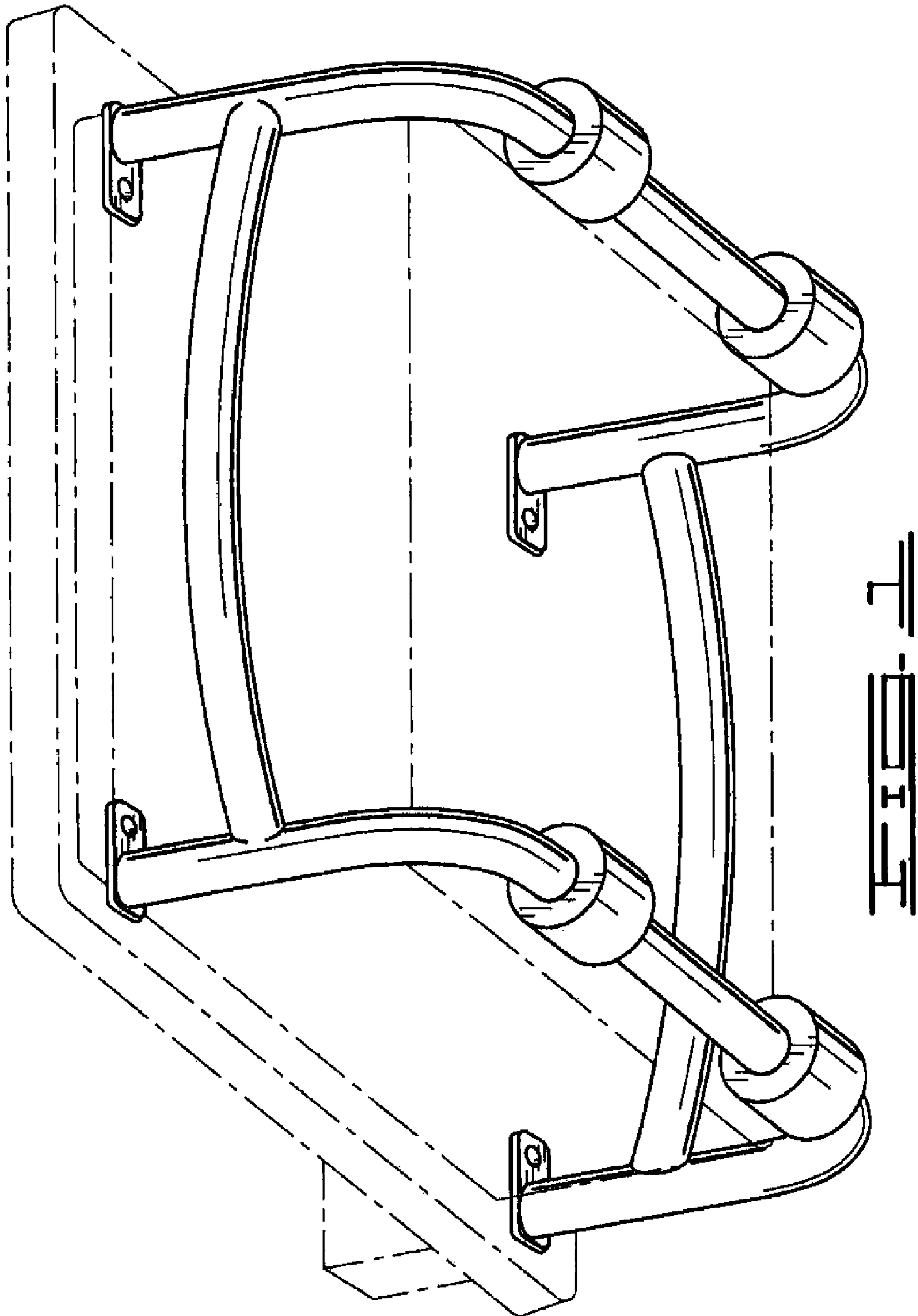
DESCRIPTION

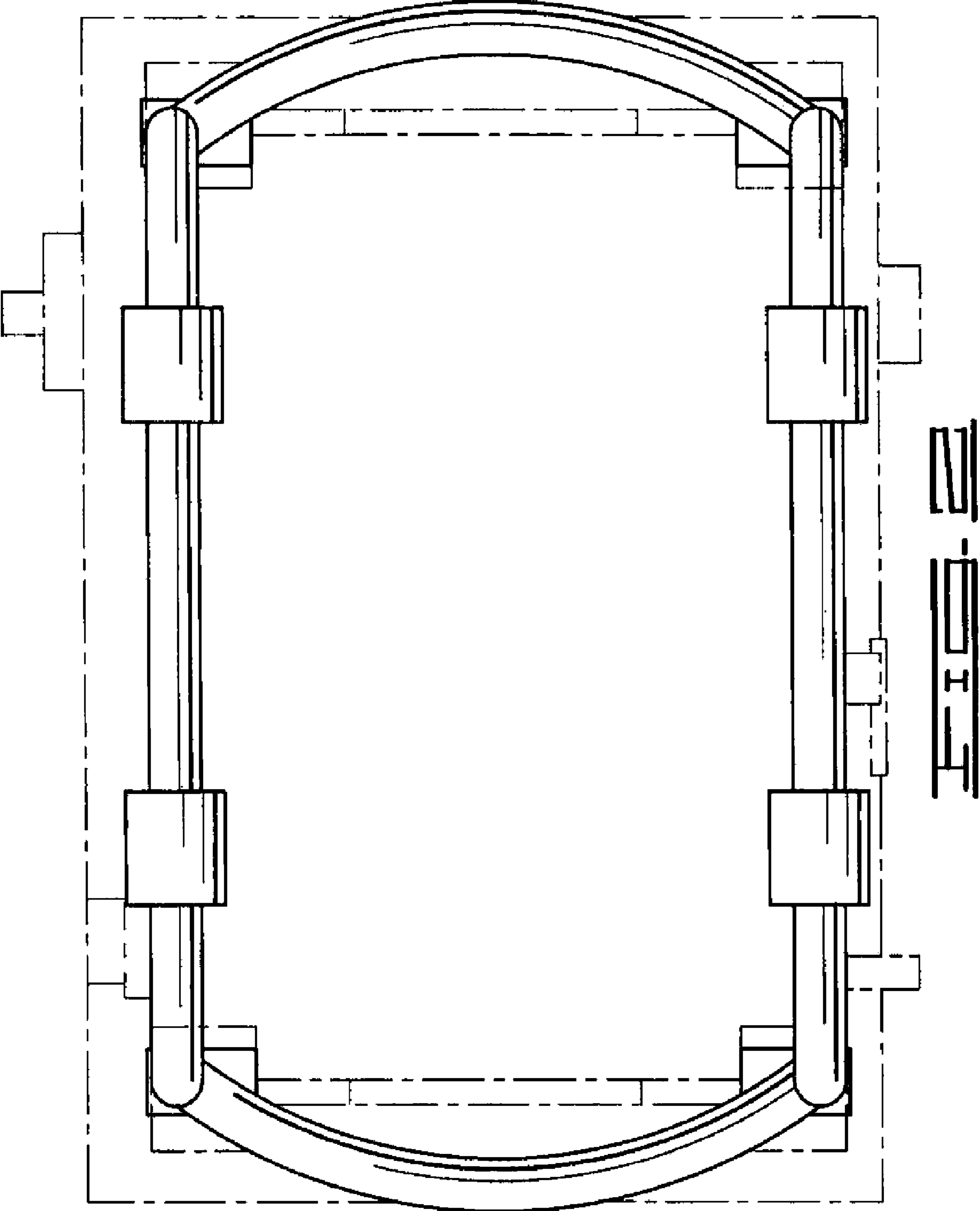
FIG. 1 is a bottom perspective view showing my new design;
FIG. 2 is a bottom plan view thereof;
FIG. 3 is a front elevational view thereof; and,
FIG. 4 is a side elevational view thereof.

The broken line showing of structural subject matter is included for the purpose of illustrating non-claimed subject matter and forms no part of the claimed design.

1 Claim, 4 Drawing Sheets







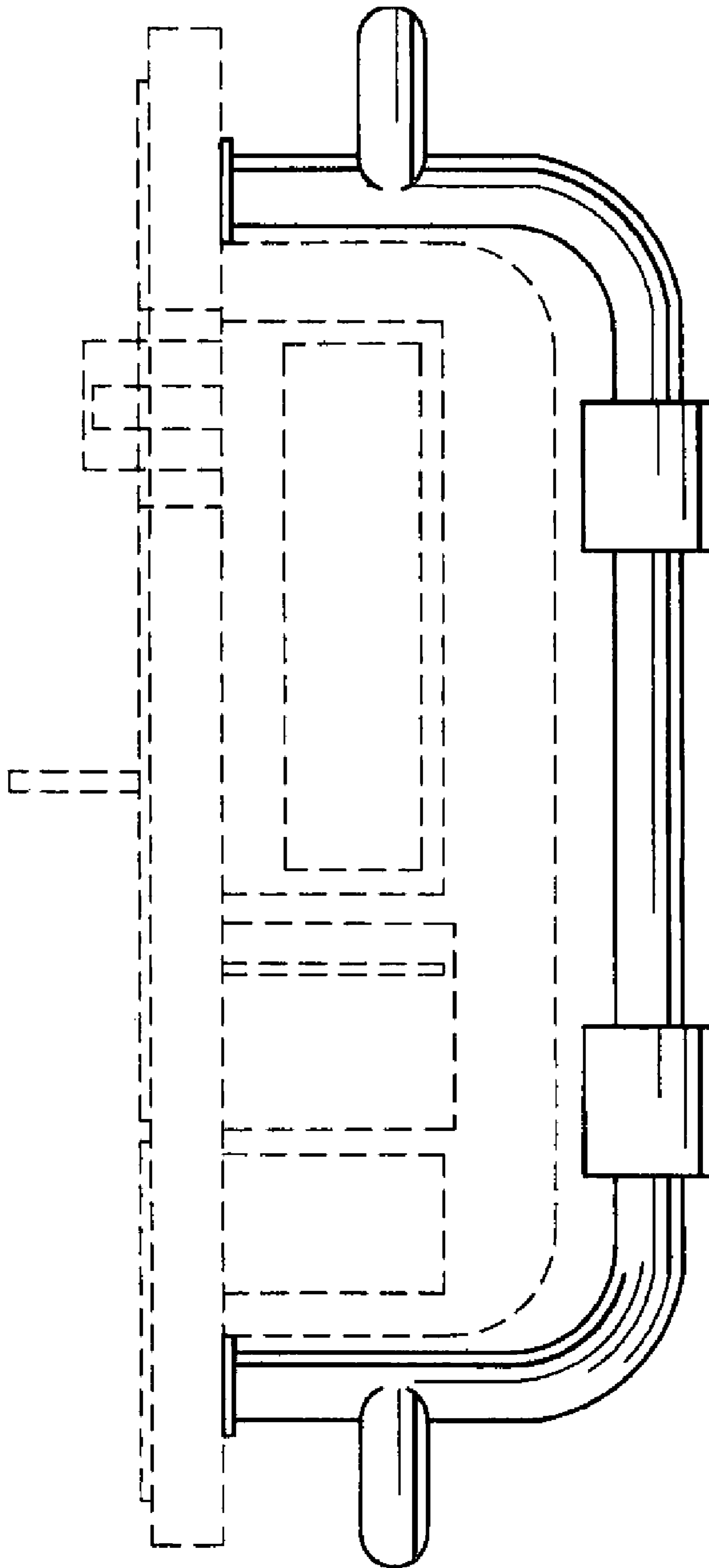


FIG. 3

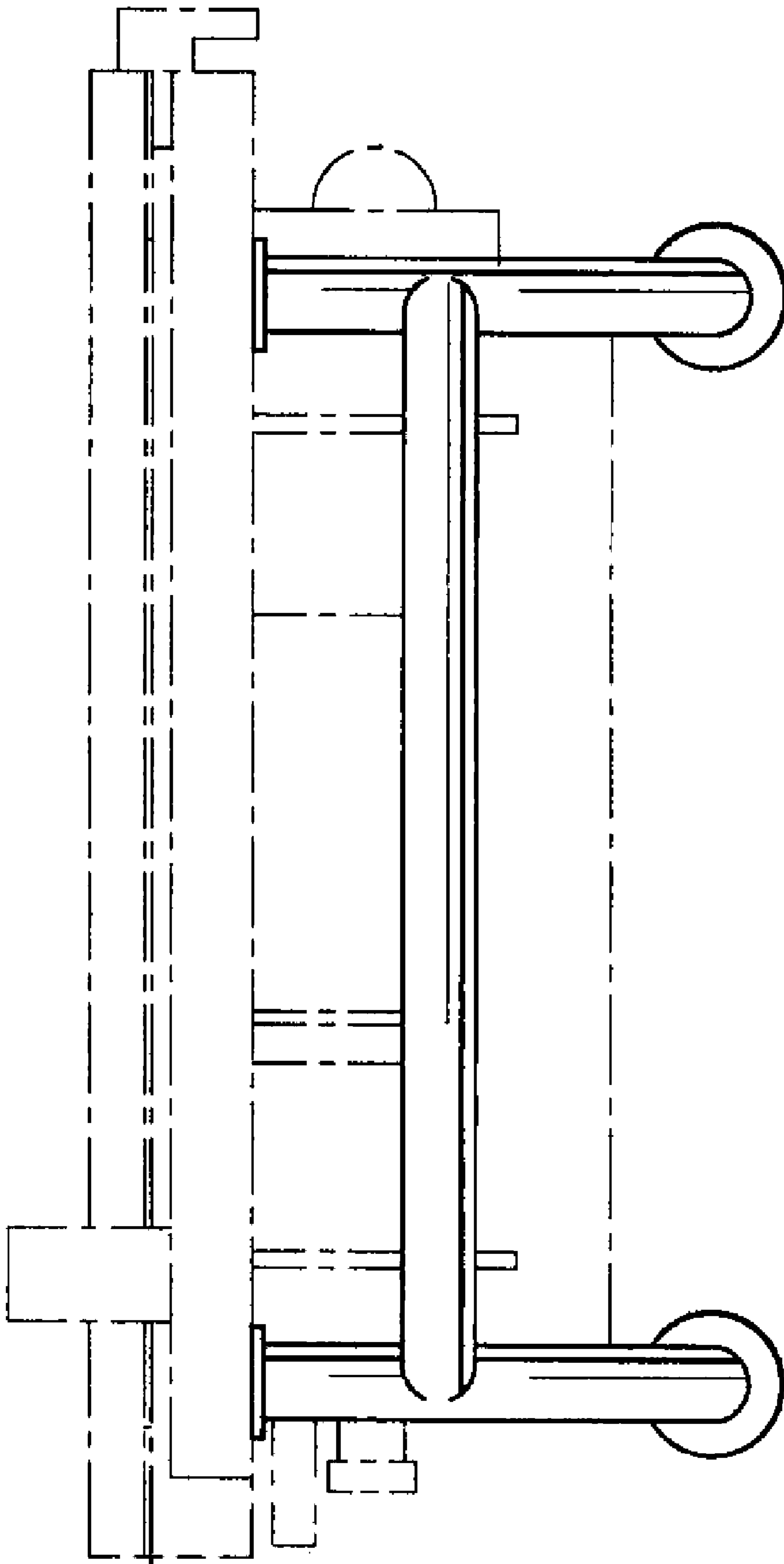


FIG. 4