



US00D610889S

(12) **United States Design Patent**
Schaffer

(10) **Patent No.:** **US D610,889 S**

(45) **Date of Patent:** **** Mar. 2, 2010**

(54) **SAW BASE PLATE WORK-PIECE PROTECTOR**

(74) *Attorney, Agent, or Firm*—William Keyworth; Bill & Mary Lou Inc.

(76) Inventor: **Wayne Allen Schaffer**, 2247 Cordoban La., Santa Maria, CA (US) 93455

(57) **CLAIM**

(**) Term: **14 Years**

The ornamental design for a saw base plate work-piece protector, as shown and described.

(21) Appl. No.: **29/335,384**

DESCRIPTION

(22) Filed: **Apr. 14, 2009**

FIG. 1 is a front view of a saw base plate work-piece protector showing an embodiment of my new design.

(51) **LOC (9) Cl.** **08-05**

FIG. 2 is a rear view thereof.

(52) **U.S. Cl.** **D8/70**

FIG. 3 is a right side view thereof. The left side view is a mirror image of the right side.

(58) **Field of Classification Search** D8/66, D8/70; 30/273, 374-375; 125/12-14, 35
See application file for complete search history.

FIG. 4 is a top view of thereof.

FIG. 5 is a bottom view thereof.

(56) **References Cited**

U.S. PATENT DOCUMENTS

FIG. 6 is a perspective view thereof.

FIG. 7 is a front view of a saw base plate work-piece protector showing an embodiment of my new design with side and rear relief to provide clearance for saw adjustment.

3,839,789 A * 10/1974 Valkosky 30/374

FIG. 8 is a rear view thereof.

4,233,738 A 11/1980 Dedrick

FIG. 9 is a right side view thereof.

D264,548 S * 5/1982 Krosunger D8/70

FIG. 10 is a left side view thereof.

4,334,356 A 6/1982 Krosunger

FIG. 11 is a top view of thereof.

D277,118 S * 1/1985 Klawitter D21/532

FIG. 12 is a bottom view thereof; and,

D308,326 S 6/1990 Makowsky

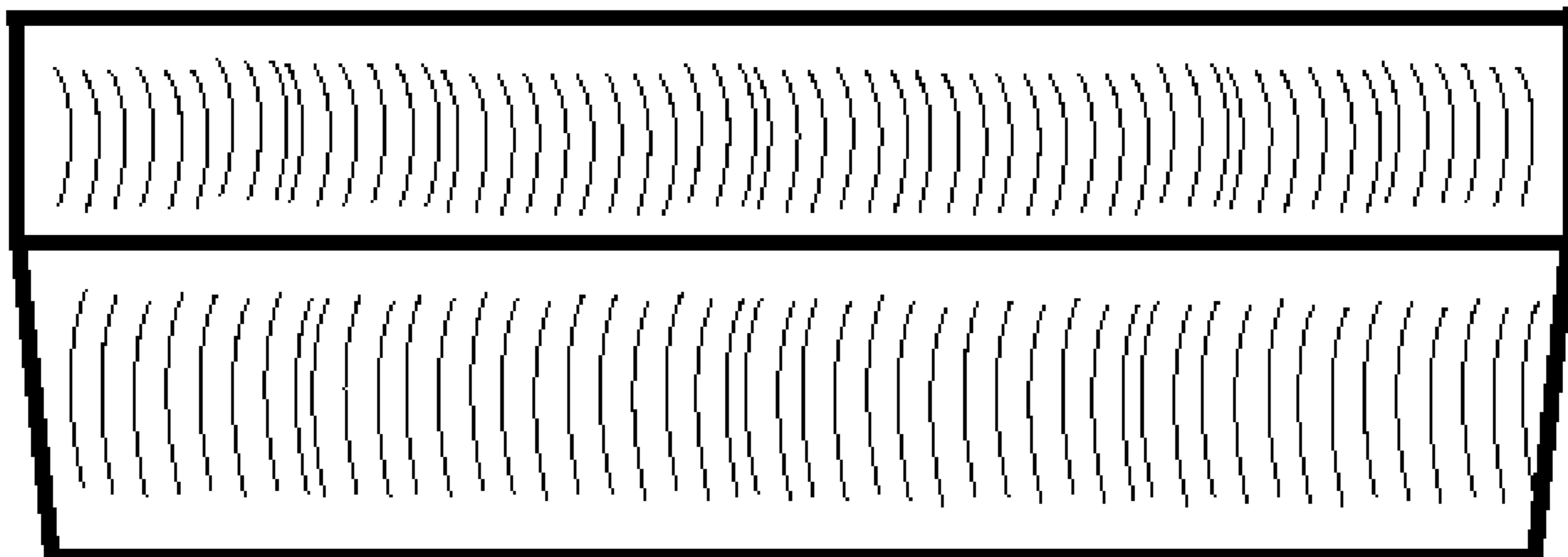
FIG. 13 is a perspective view thereof.

7,258,115 B2 8/2007 Markley et al.

* cited by examiner

Primary Examiner—Antoine D Davis

1 Claim, 3 Drawing Sheets



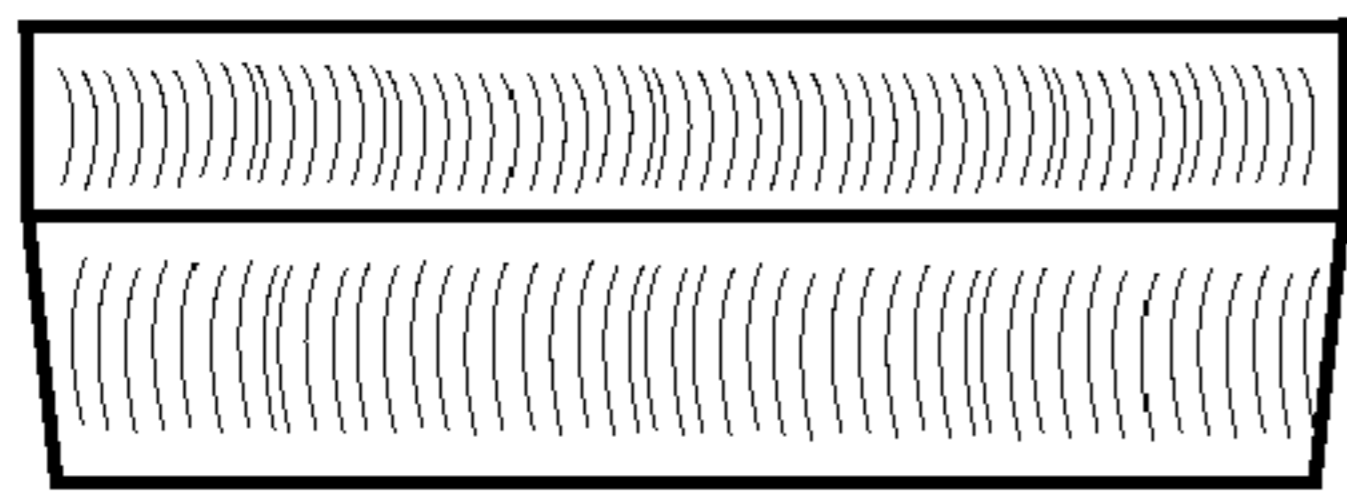


Fig. 1

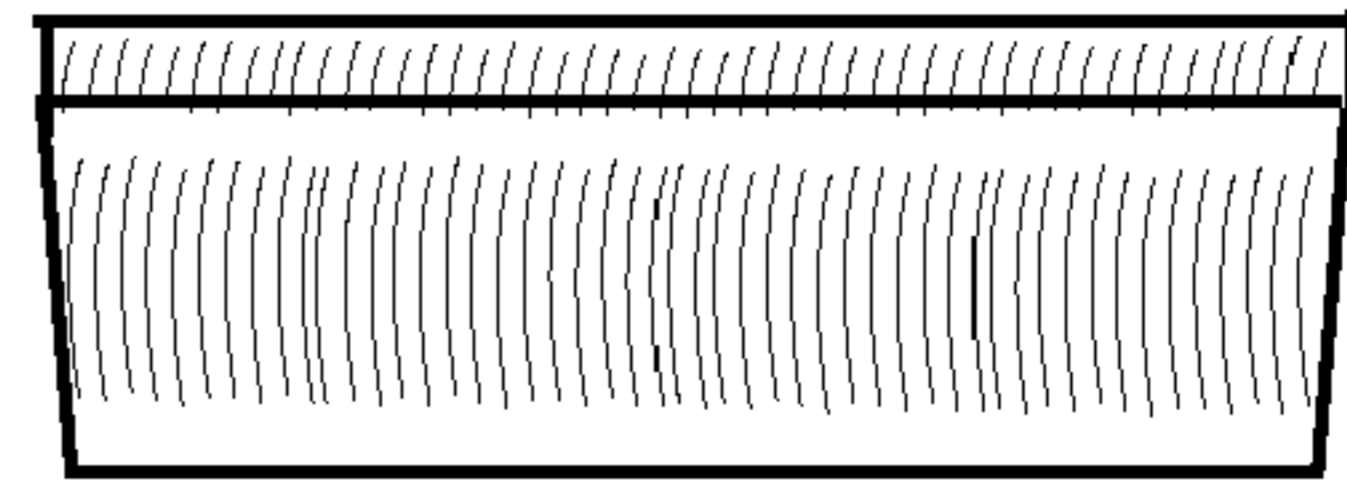


Fig. 2

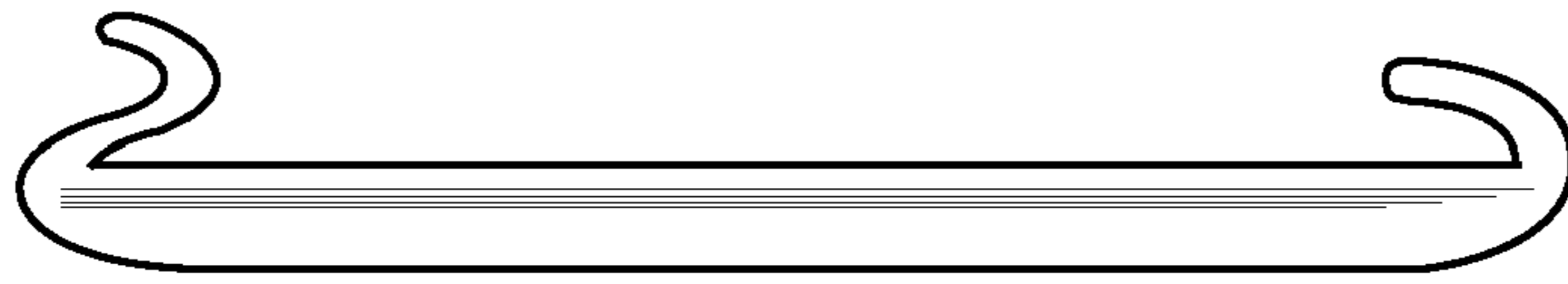


Fig. 3

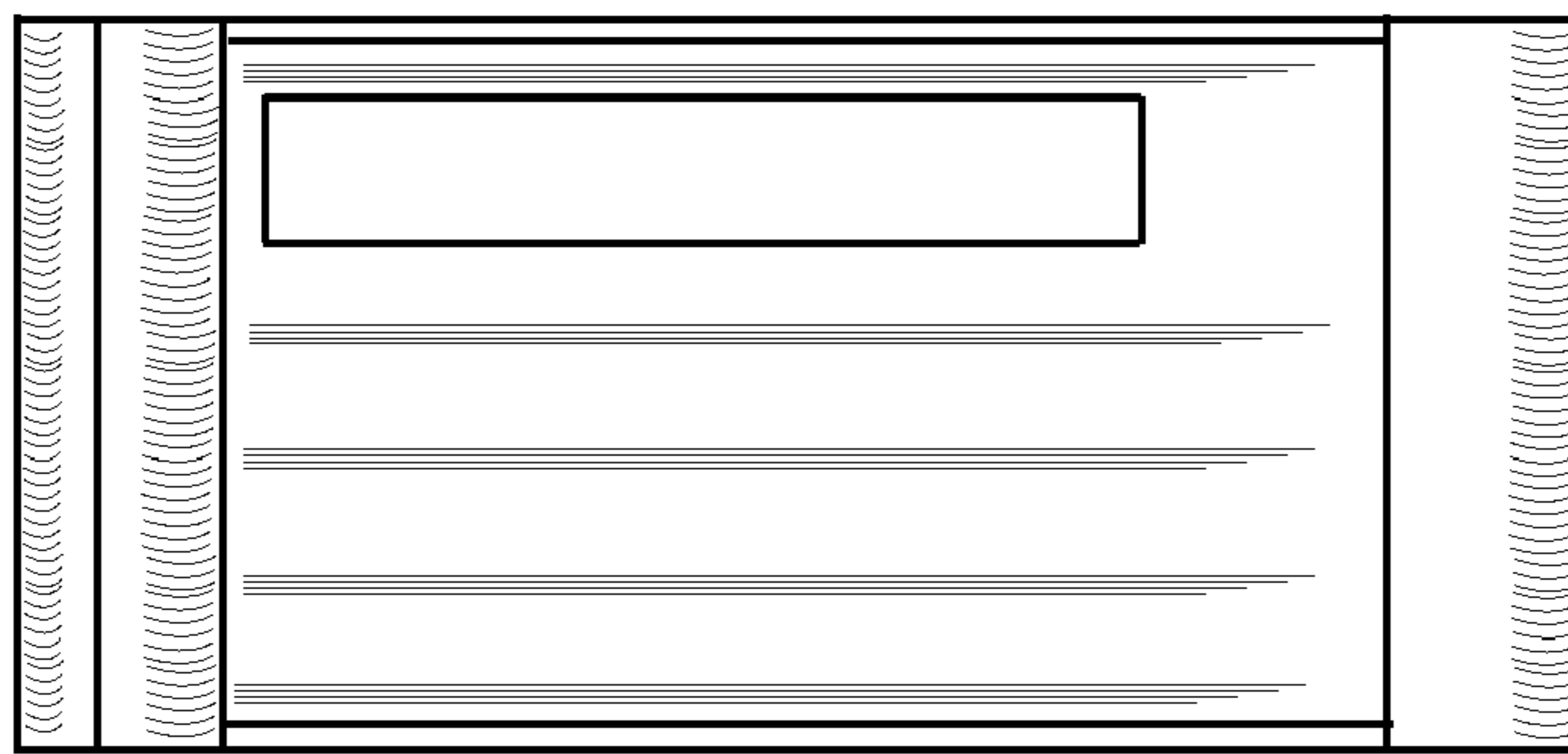


Fig. 4

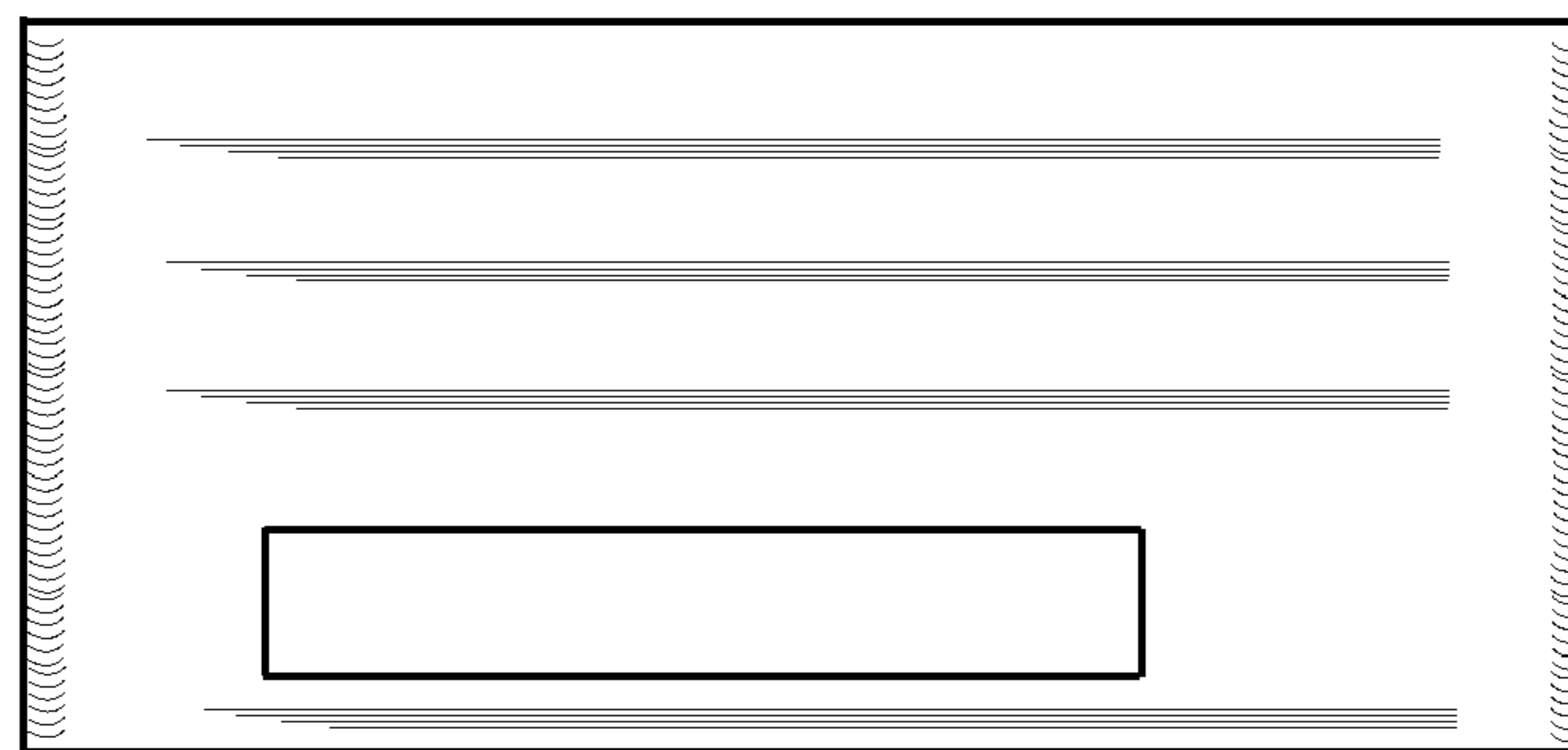


Fig. 5

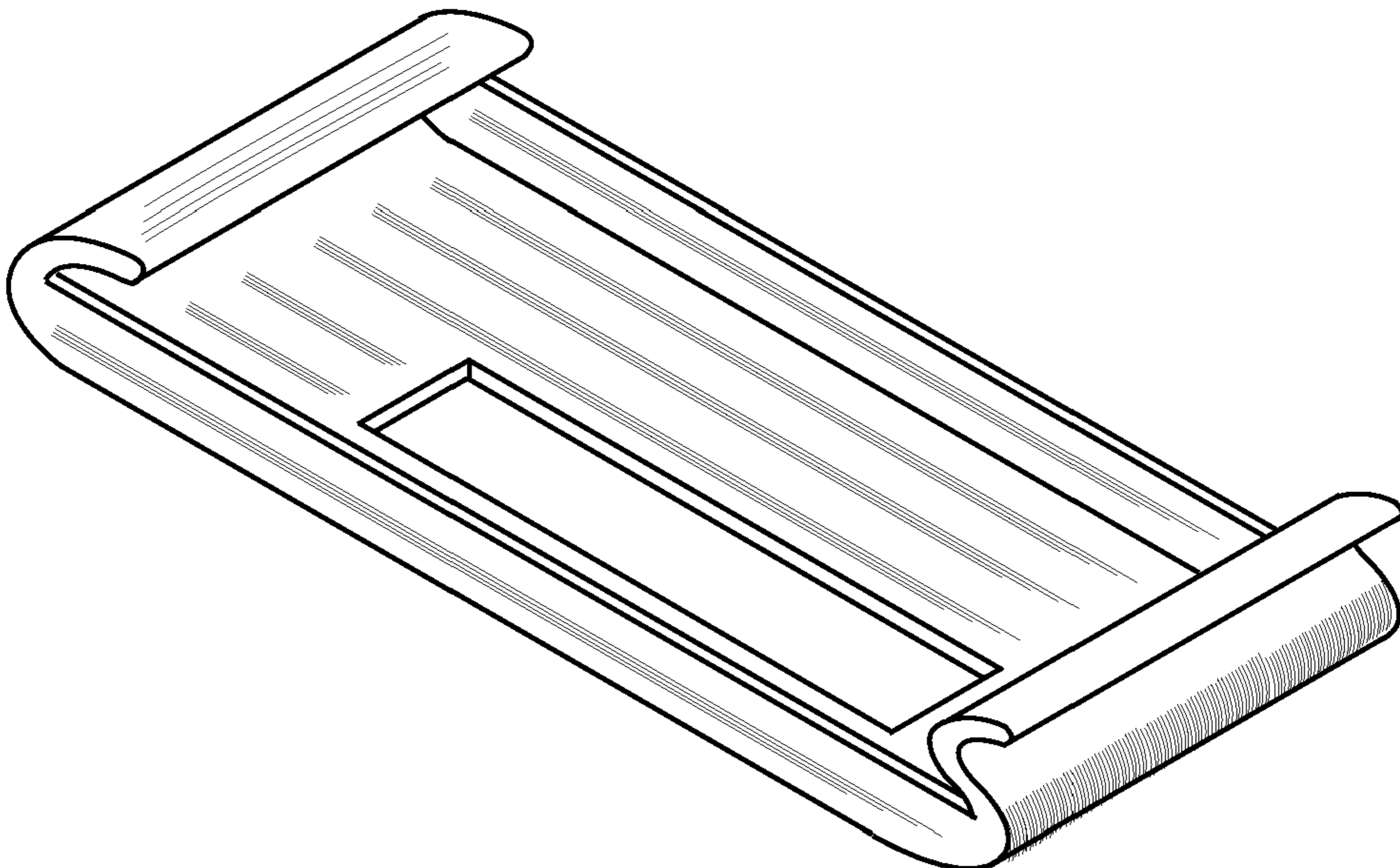


Fig. 6

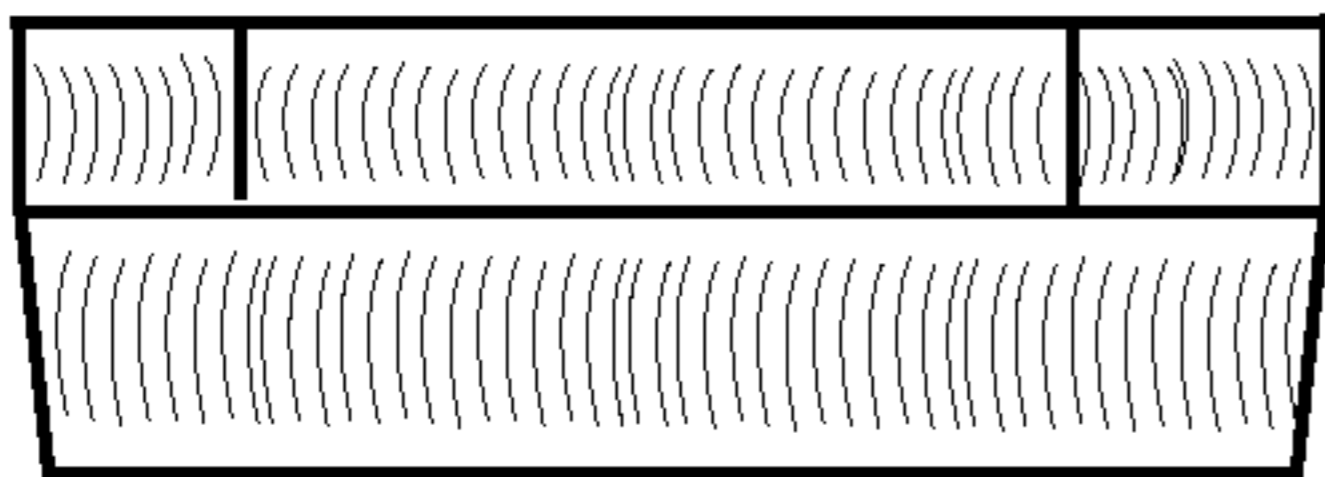


Fig. 7

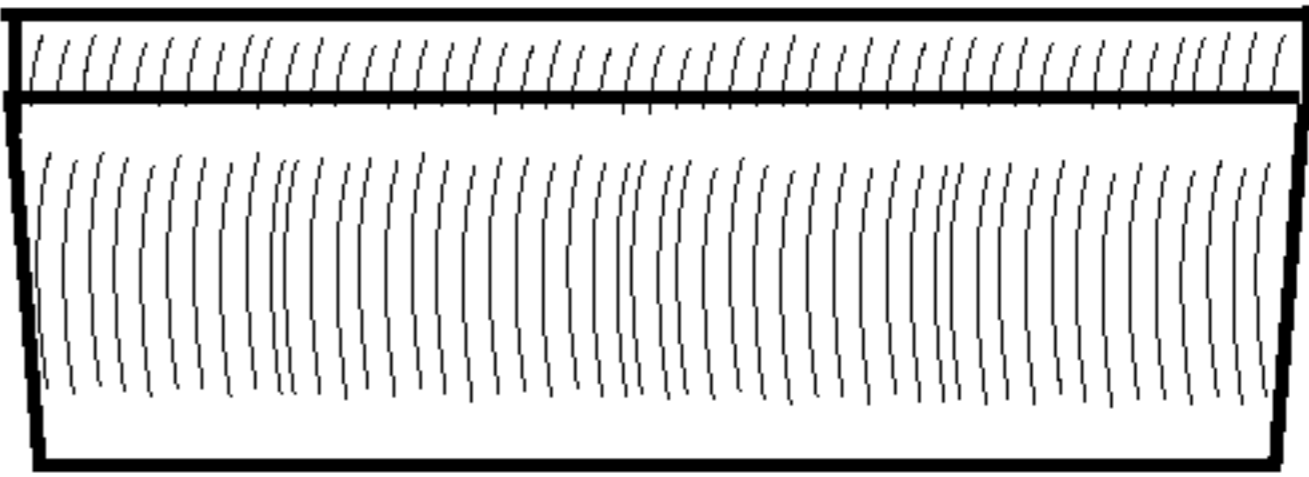


Fig. 8



Fig. 9

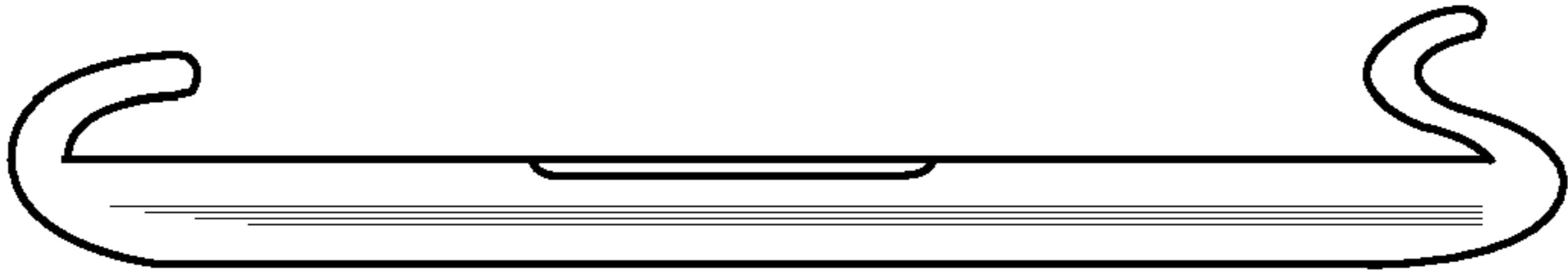


Fig. 10

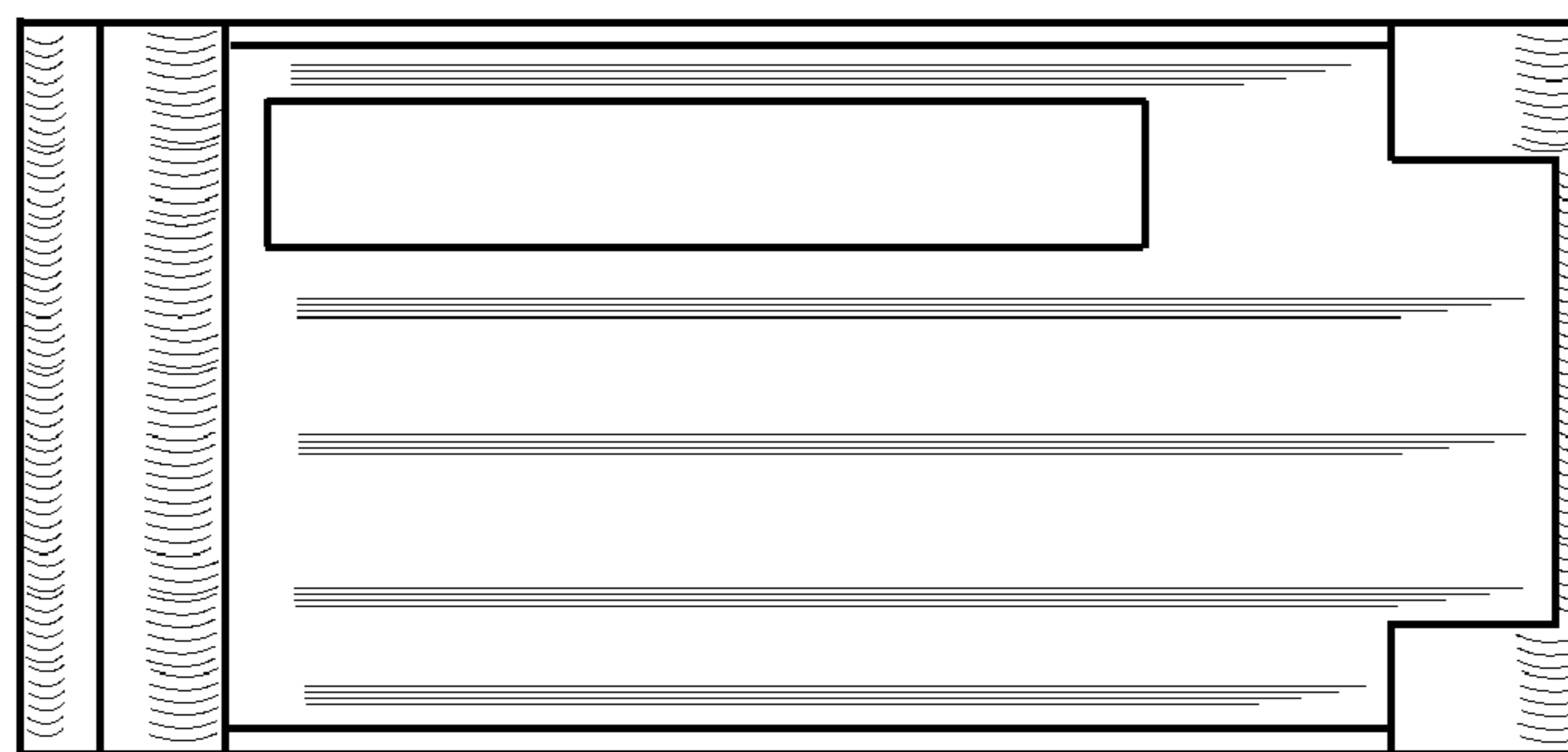


Fig. 11

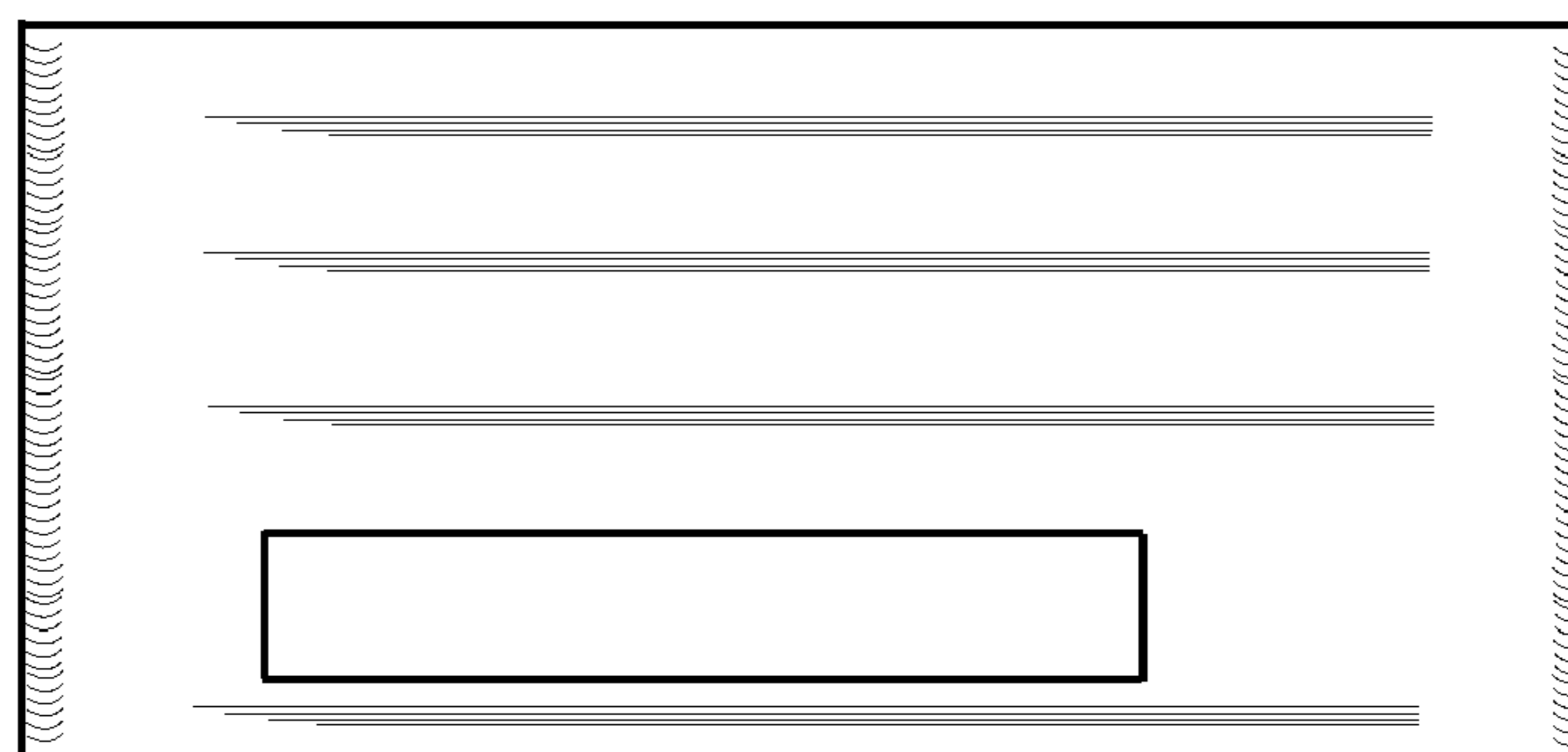


Fig. 12

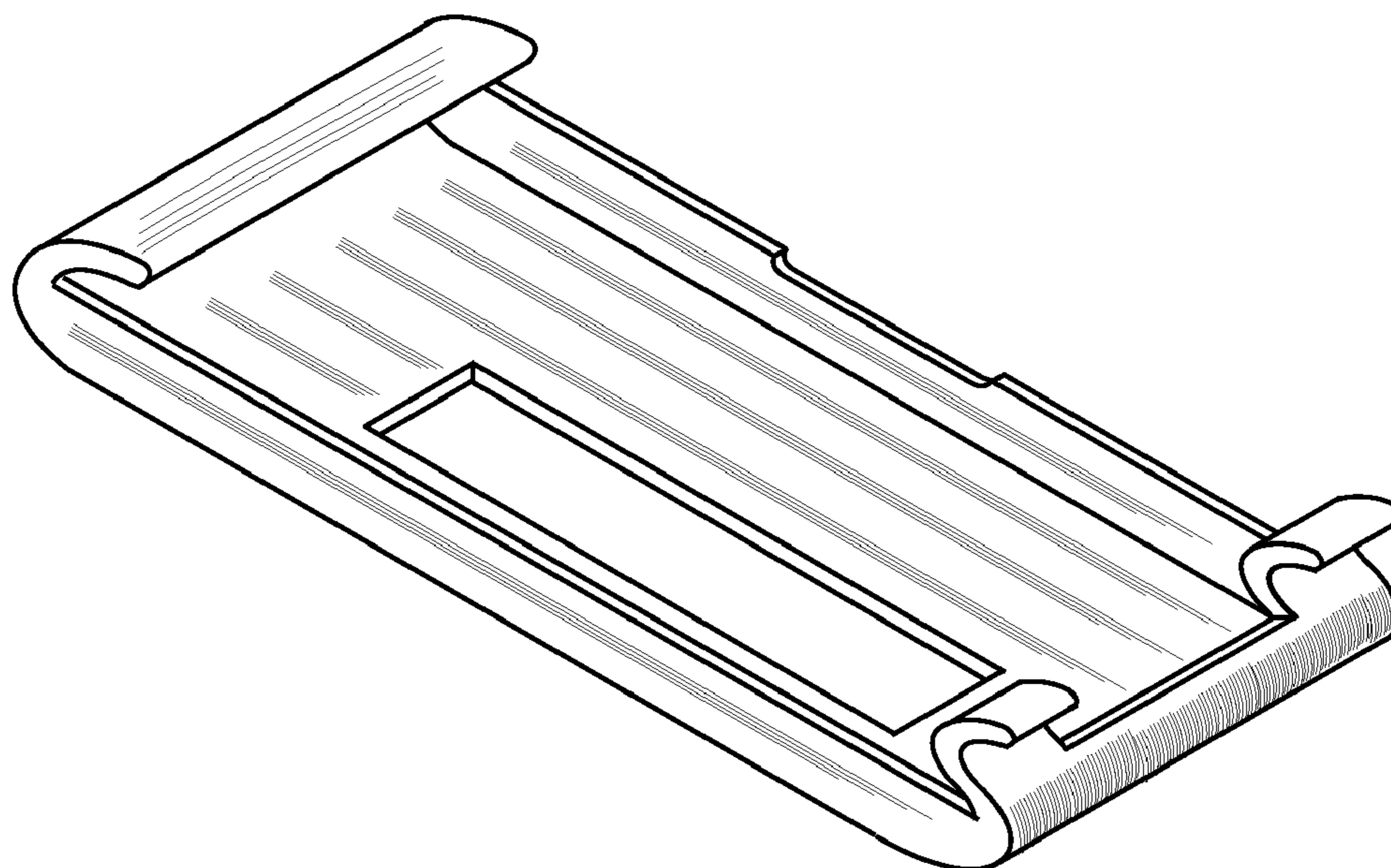


Fig. 13