



US00D610888S

(12) **United States Design Patent**
Izumisawa et al.

(10) **Patent No.:** **US D610,888 S**
(45) **Date of Patent:** **** Mar. 2, 2010**

(54) **IMPACT WRENCH**

(75) Inventors: **Hiroyoshi Izumisawa**, Tokyo (JP);
Toshiya Hazu, Fujimino (JP)

(73) Assignee: **Kabushiki Kaisha Shinano Seisakusho**,
Tokyo (JP)

(**) Term: **14 Years**

(21) Appl. No.: **29/333,557**

(22) Filed: **Mar. 11, 2009**

(30) **Foreign Application Priority Data**

Sep. 11, 2008 (JP) 2008-023366

(51) **LOC (9) Cl.** **08-04**

(52) **U.S. Cl.** **D8/68**

(58) **Field of Classification Search** D8/14.1,
D8/61, 62, 63, 64, 65, 66, 67, 68, 69, 70;
81/57.11, 429, 454, 455, 456, 469, 489; 173/13,
173/104, 114, 168, 169, 170, 171, 178, 201,
173/211, 213, 217; 408/20, 124, 125, 234,
408/241 R; 451/358; 310/50; 227/8, 113,
227/114, 120, 130, 136, 142
See application file for complete search history.

(56) **References Cited**

U.S. PATENT DOCUMENTS

D477,512 S * 7/2003 Liu et al. D8/68
D482,947 S * 12/2003 Lin D8/68
D496,243 S * 9/2004 Huang D8/68
D497,787 S * 11/2004 Liao D8/68

D519,817 S * 5/2006 Wong D8/99
D521,339 S * 5/2006 Chen D8/68
D534,047 S * 12/2006 Chi D8/68
D540,134 S * 4/2007 Clay D8/68
D540,640 S * 4/2007 Clay D8/68
7,237,622 B2 * 7/2007 Liao 173/104
D572,991 S * 7/2008 Chen D8/68
7,404,450 B2 * 7/2008 Izumisawa et al. 173/93.5
7,438,140 B2 * 10/2008 Sterling et al. 173/162.1
D590,226 S * 4/2009 Chu D8/68
D590,680 S * 4/2009 Cole et al. D8/68
D591,127 S * 4/2009 Taga D8/68

* cited by examiner

Primary Examiner—Antoine D Davis

(74) *Attorney, Agent, or Firm*—Birch, Stewart, Kolasch &
Birch, LLP

(57) **CLAIM**

The ornamental design for the impact wrench, as shown and
described.

DESCRIPTION

FIG. 1 is a front perspective view of an impact wrench show-
ing our new design;

FIG. 2 is a front elevational view thereof;

FIG. 3 is a rear elevational view thereof;

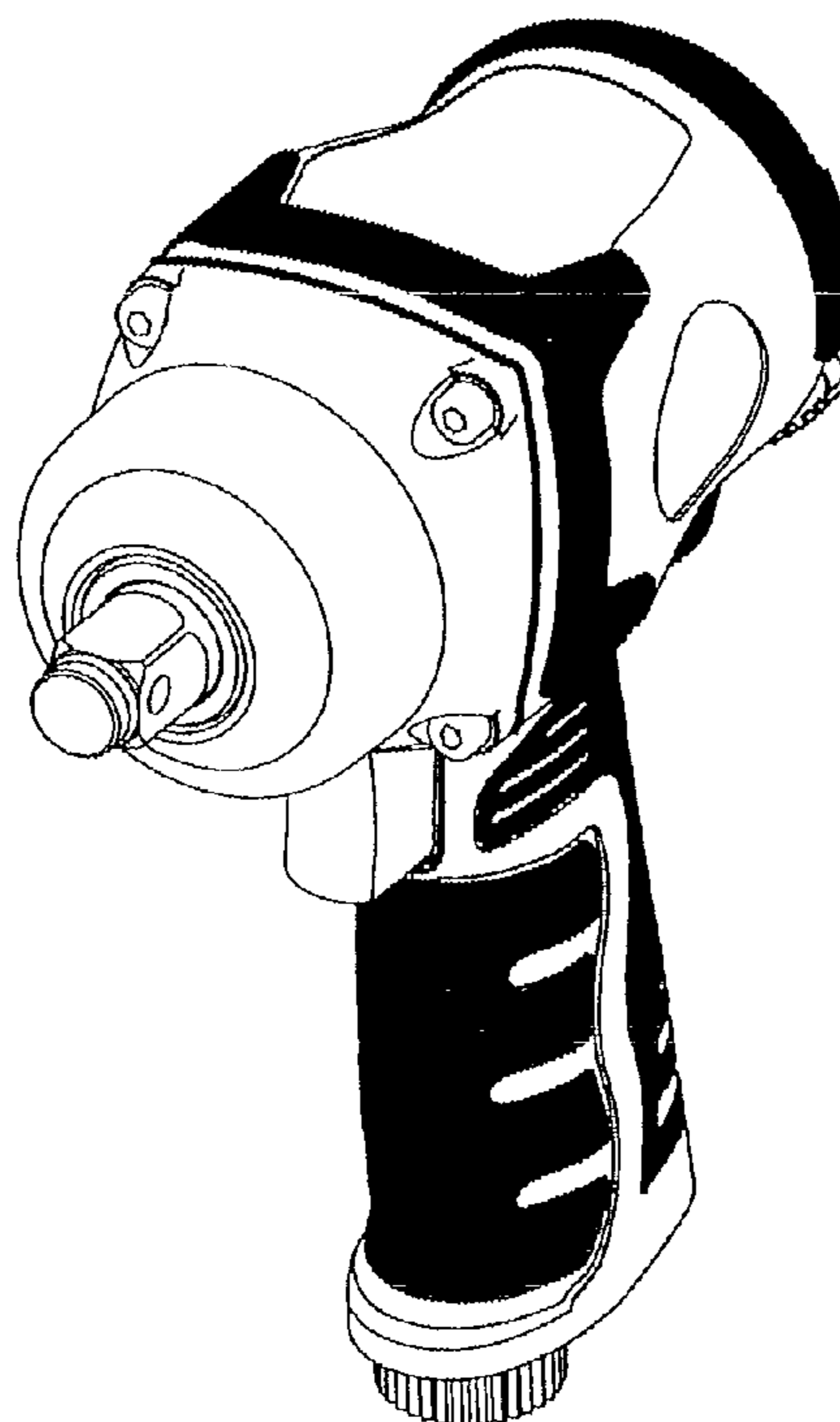
FIG. 4 is a top plan view thereof;

FIG. 5 is a bottom view thereof;

FIG. 6 is a right side view thereof; and,

FIG. 7 is a left side view thereof.

1 Claim, 4 Drawing Sheets



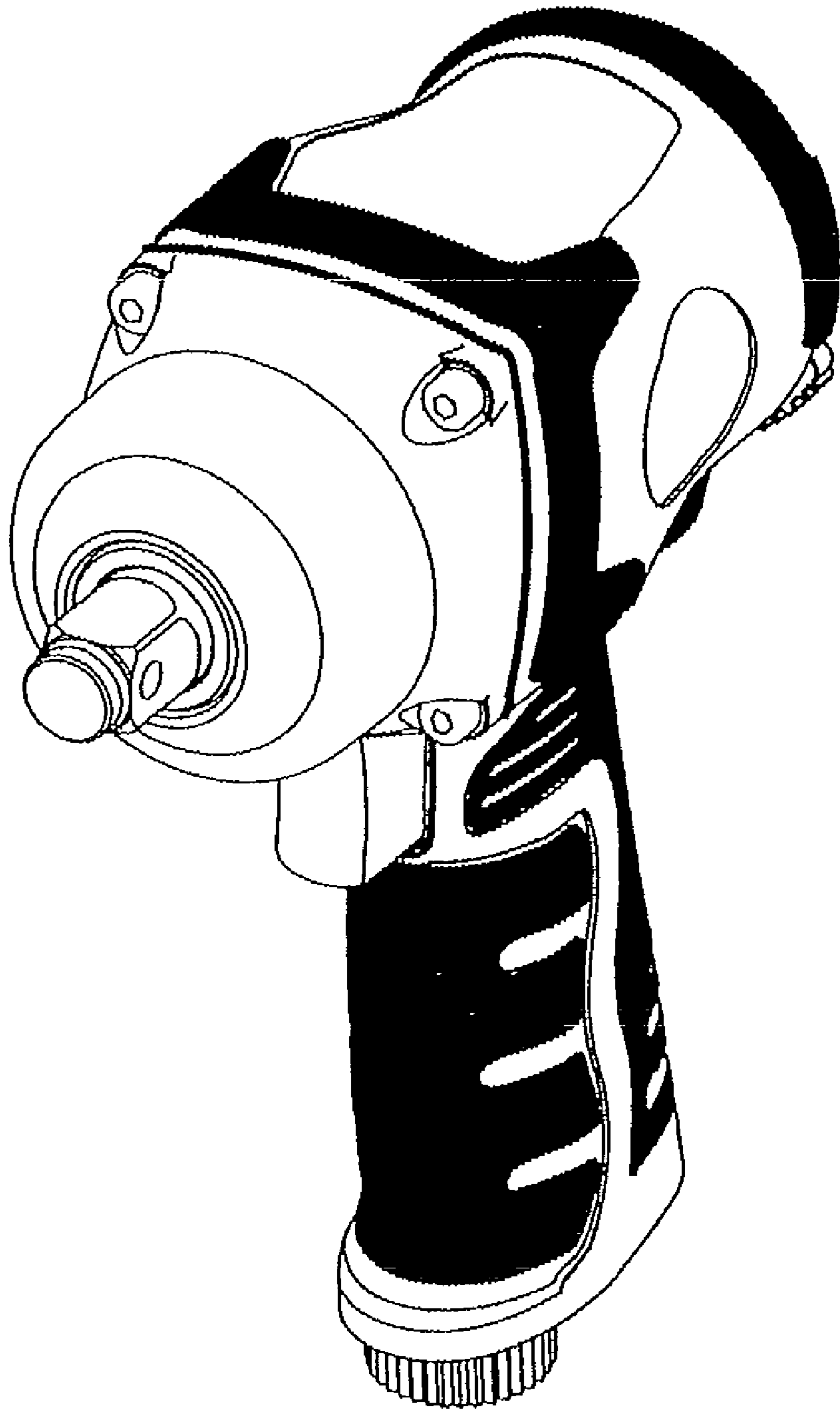


FIG. 1

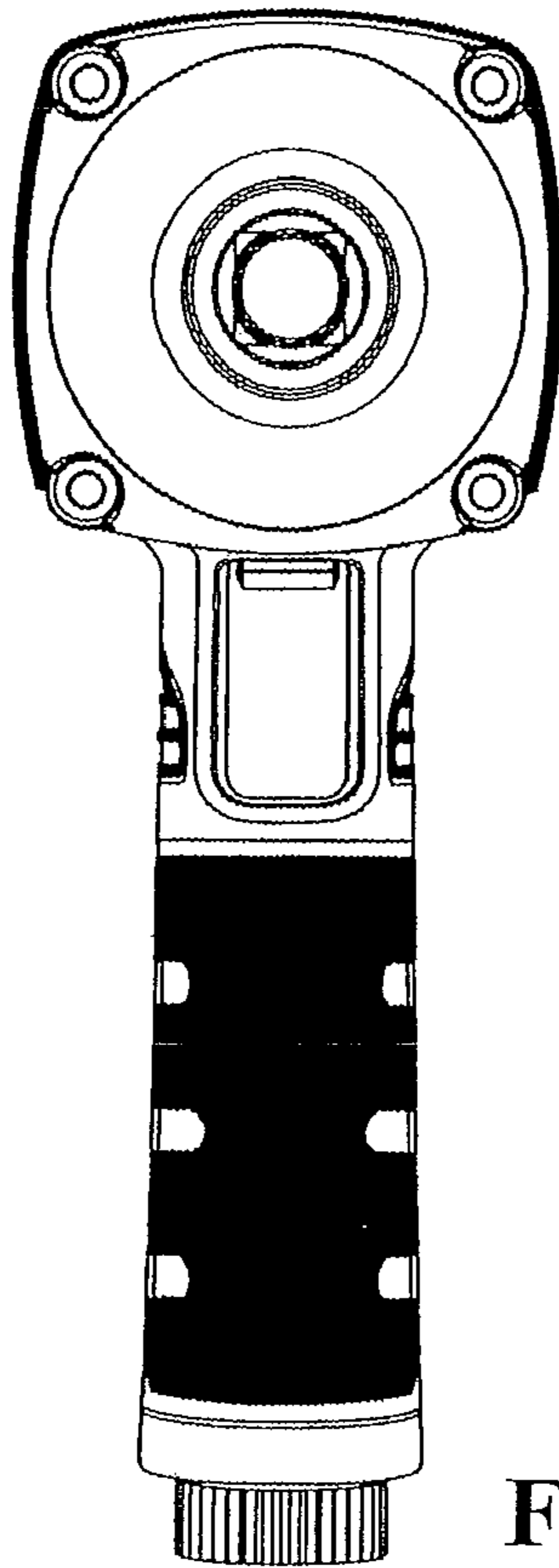


FIG. 2

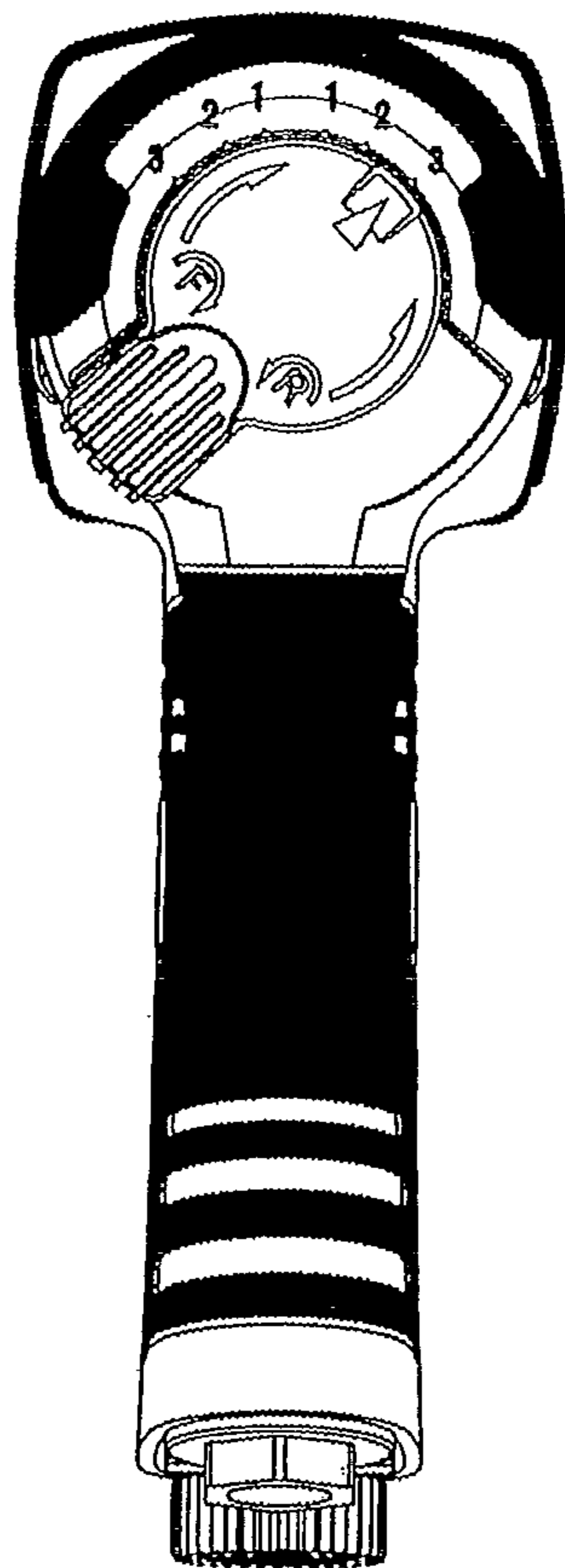


FIG. 3

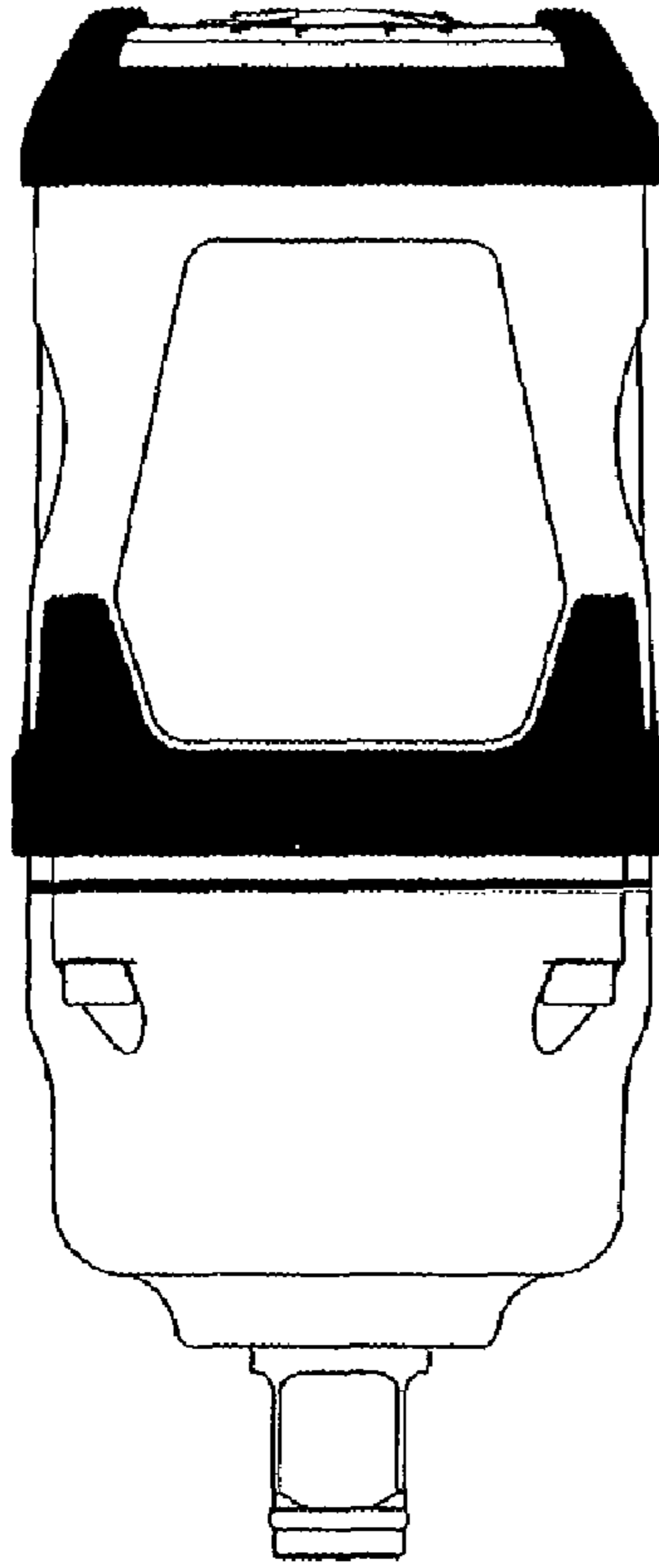


FIG. 4

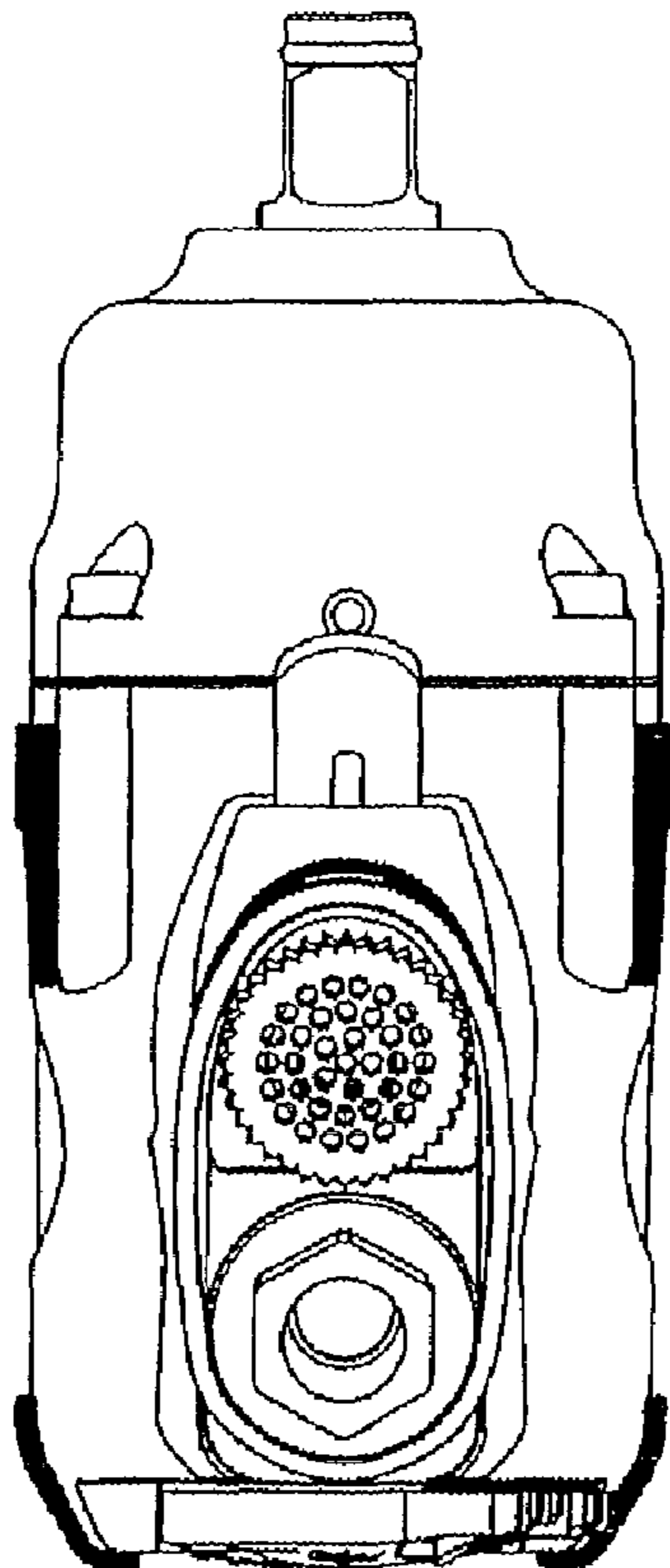


FIG. 5

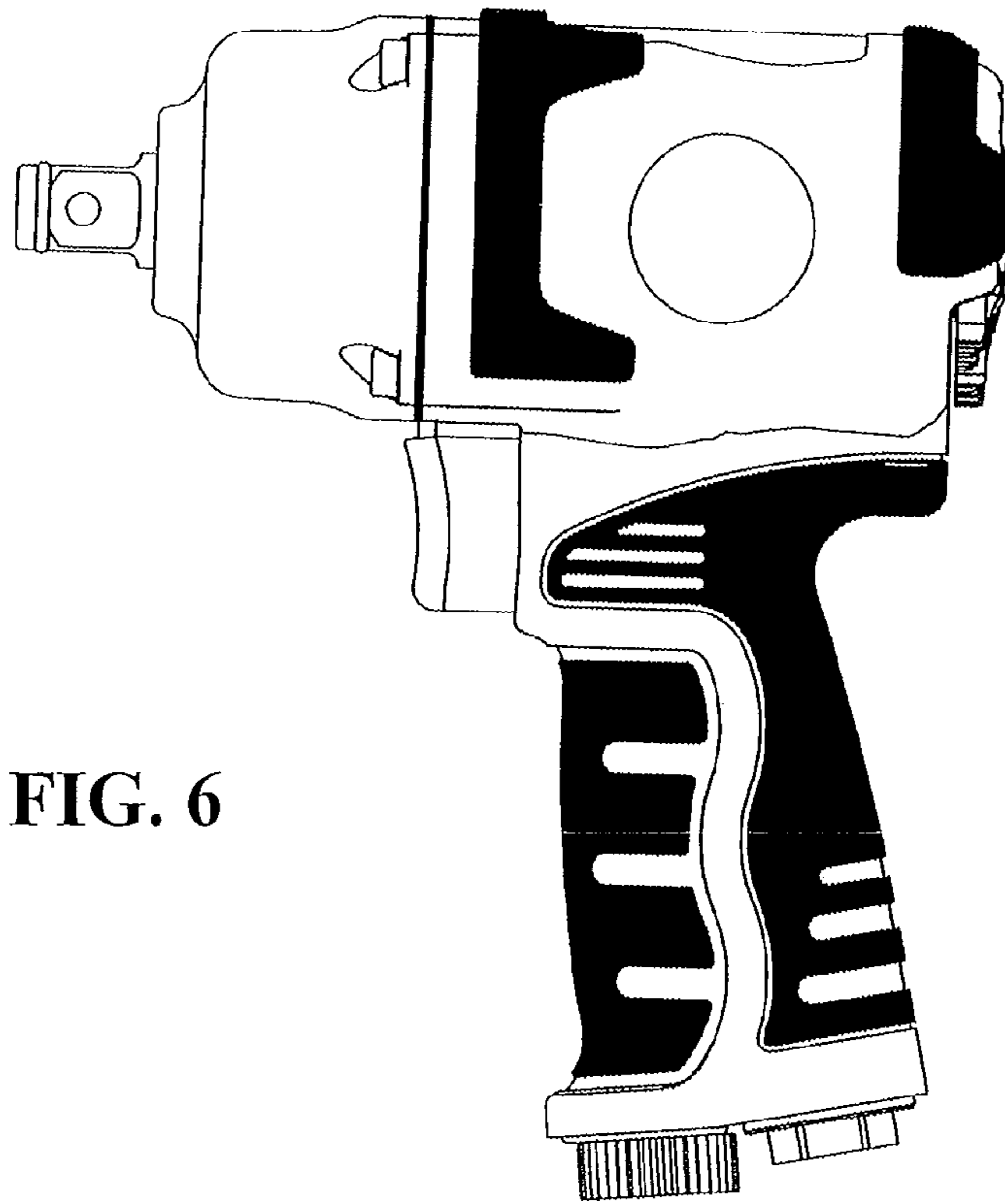


FIG. 6

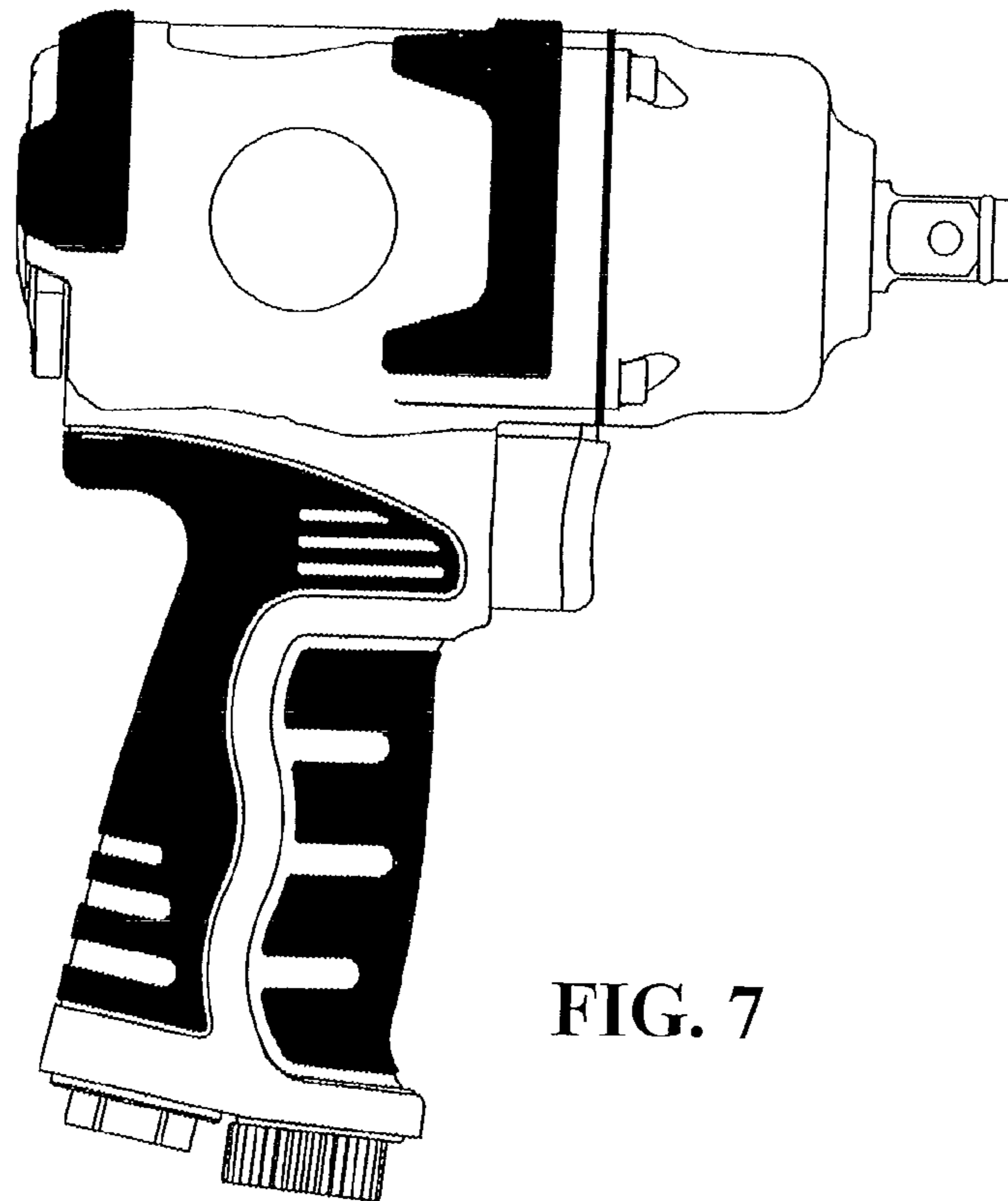


FIG. 7