



US00D610887S

(12) **United States Design Patent**  
**Vivatvanit**

(10) **Patent No.:** **US D610,887 S**  
(45) **Date of Patent:** **\*\* \*Mar. 2, 2010**

(54) **BULB CHANGER**

(76) Inventor: **Somjai Vivatvanit**, 1129/50  
Nakhonchaisri Rd. #210, Nakhonchaisri,  
Dusit, Bangkok (TH)

(\* ) Notice: This patent is subject to a terminal disclaimer.

(\*\*) Term: **14 Years**

(21) Appl. No.: **29/306,207**

(22) Filed: **Apr. 4, 2008**

(51) **LOC (9) Cl.** ..... **08-05**

(52) **U.S. Cl.** ..... **D8/14**

(58) **Field of Classification Search** ..... D8/14;  
15/314, 414, 246.2; 81/53.11, 53.12, 477;  
294/64.1, 64.2, 64.3

See application file for complete search history.

(56) **References Cited**

**U.S. PATENT DOCUMENTS**

2,357,105 A \* 8/1944 Grinnell ..... 81/53.11  
2,766,060 A \* 10/1956 Fuller ..... 81/53.11  
5,317,939 A \* 6/1994 Marinescu ..... 81/53.11  
6,223,628 B1 \* 5/2001 Barron ..... 81/53.11

D490,670 S \* 6/2004 Ball et al. .... D8/14  
6,883,400 B2 \* 4/2005 Sugano ..... 81/53.11  
6,983,675 B2 \* 1/2006 Scarce ..... 81/53.1  
7,197,962 B2 \* 4/2007 Williams ..... 81/53.12  
7,255,024 B2 \* 8/2007 Johnson et al. .... 81/53.12

\* cited by examiner

*Primary Examiner*—Antoine D Davis

(74) *Attorney, Agent, or Firm*—Todd Juneau

(57) **CLAIM**

I claim the ornamental design for a bulb changer, as shown and described.

**DESCRIPTION**

FIG. 1 is a perspective view of the bulb changer, showing my design.

FIG. 2 is a front side view thereof;

FIG. 3 is a back side view thereof;

FIG. 4 is a top view thereof;

FIG. 5 is a bottom view thereof;

FIG. 6 is a left side view thereof; and,

FIG. 7 is a right side view thereof.

**1 Claim, 6 Drawing Sheets**

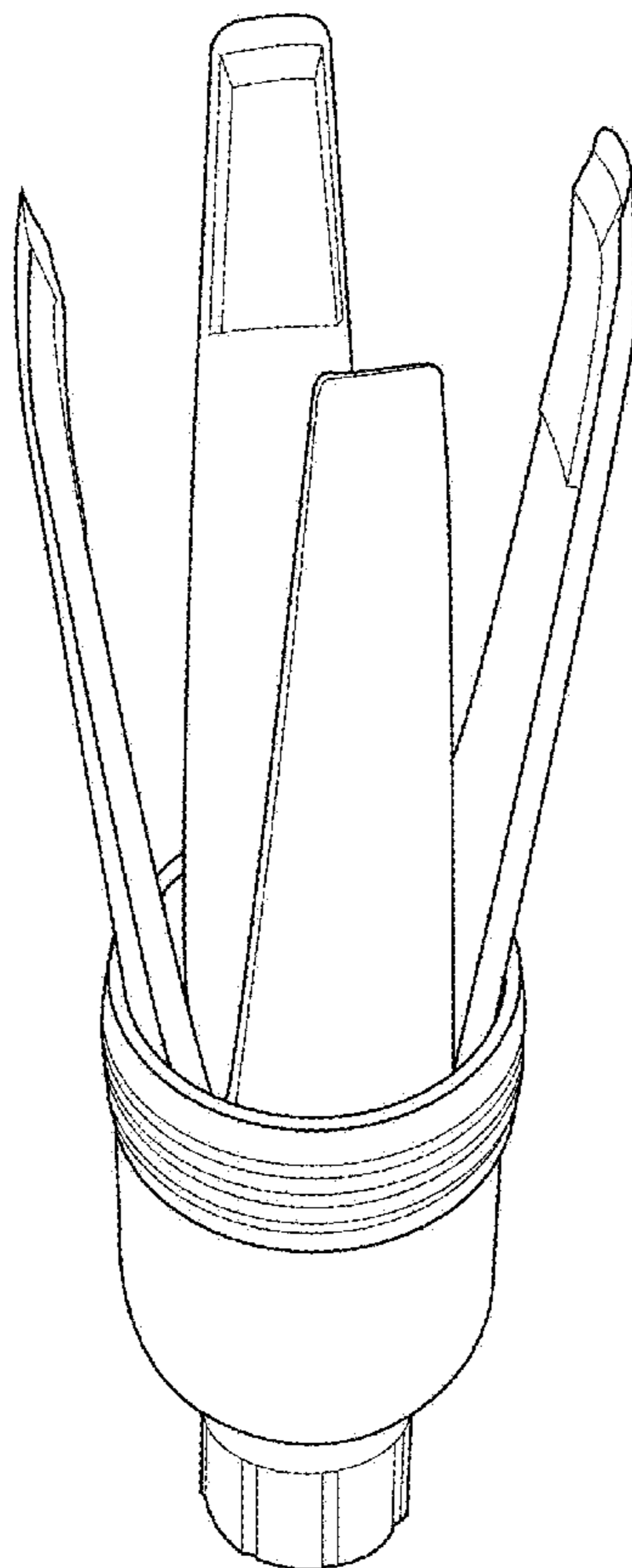


FIGURE 1

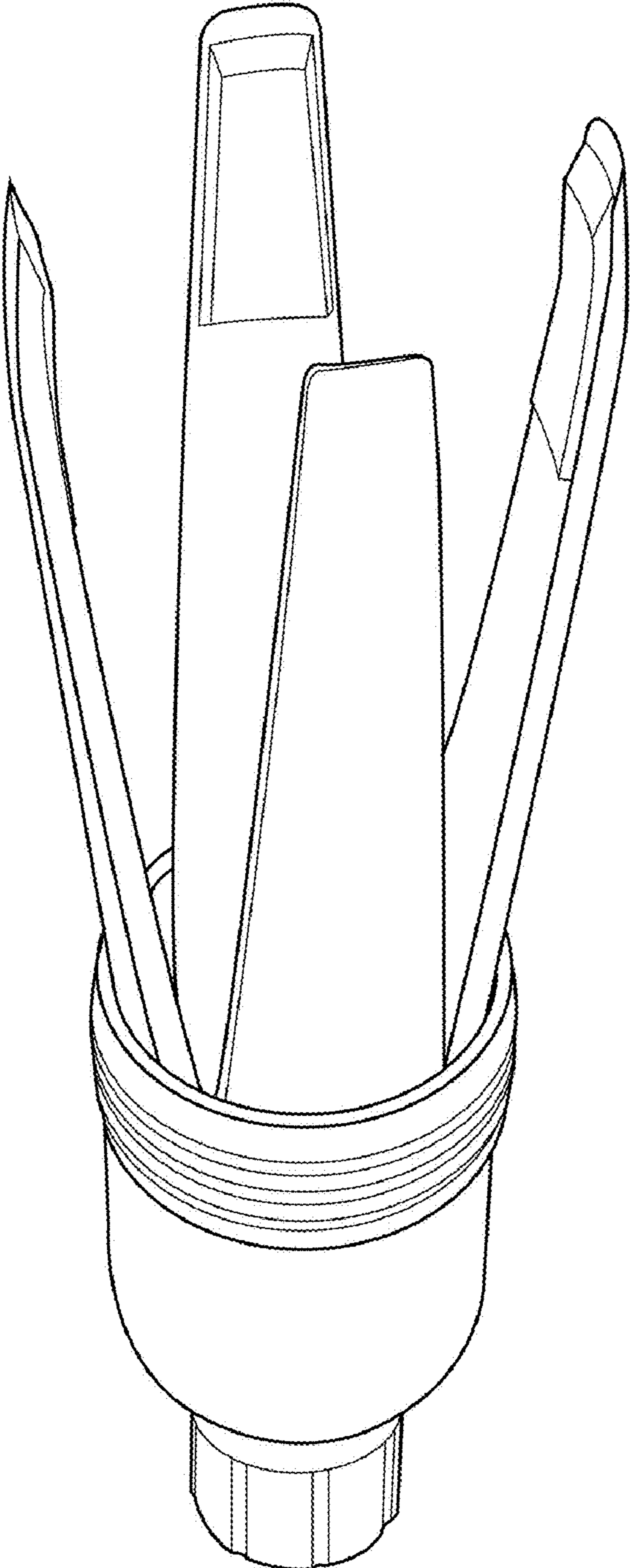


FIGURE 2

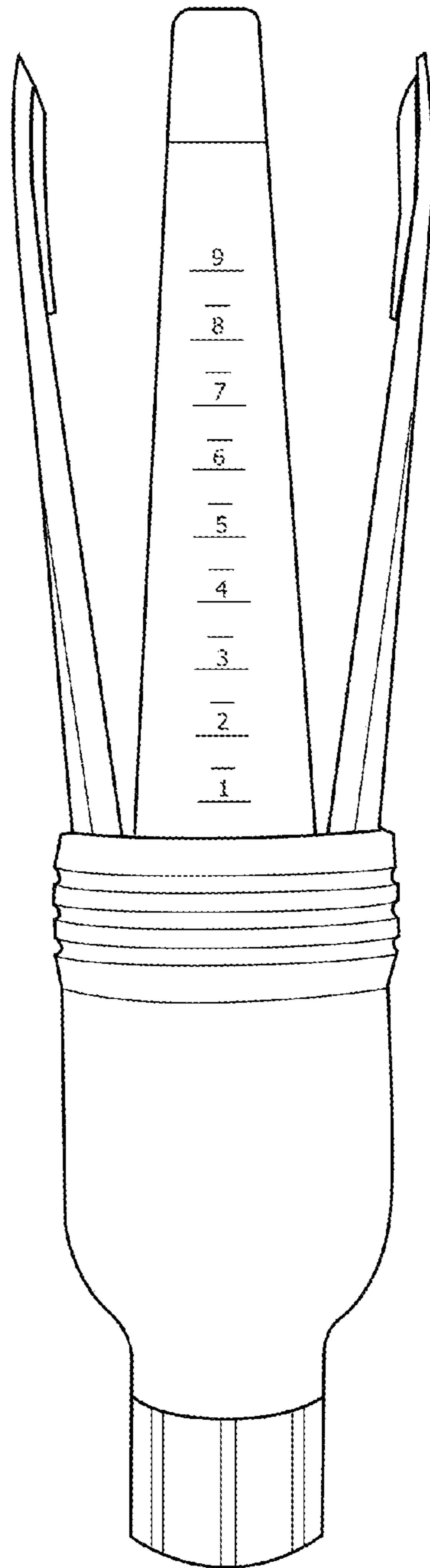


FIGURE 3

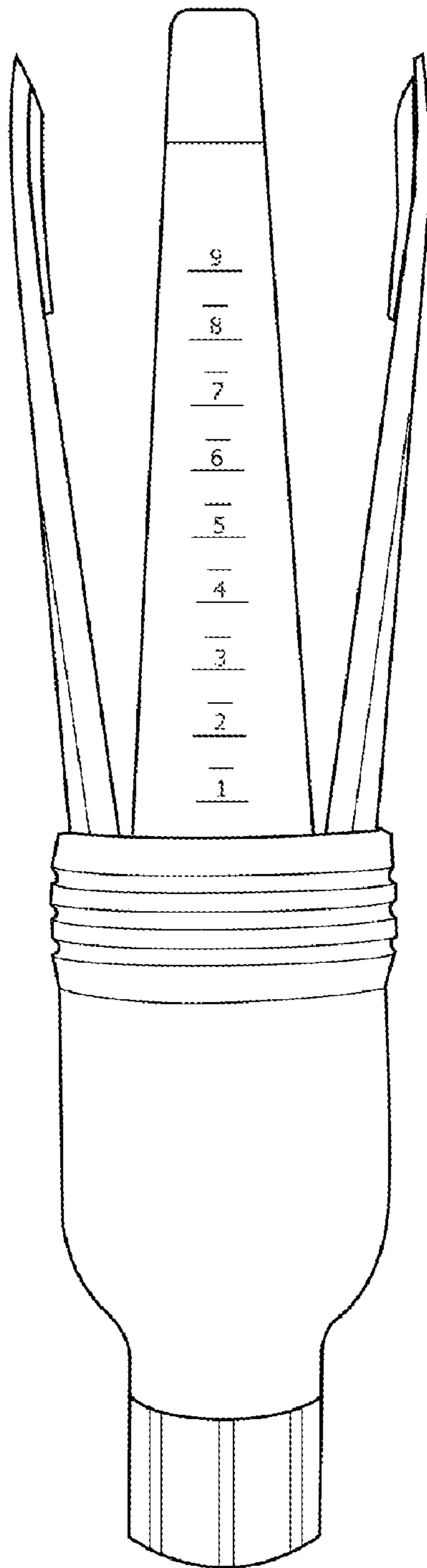


FIGURE 4

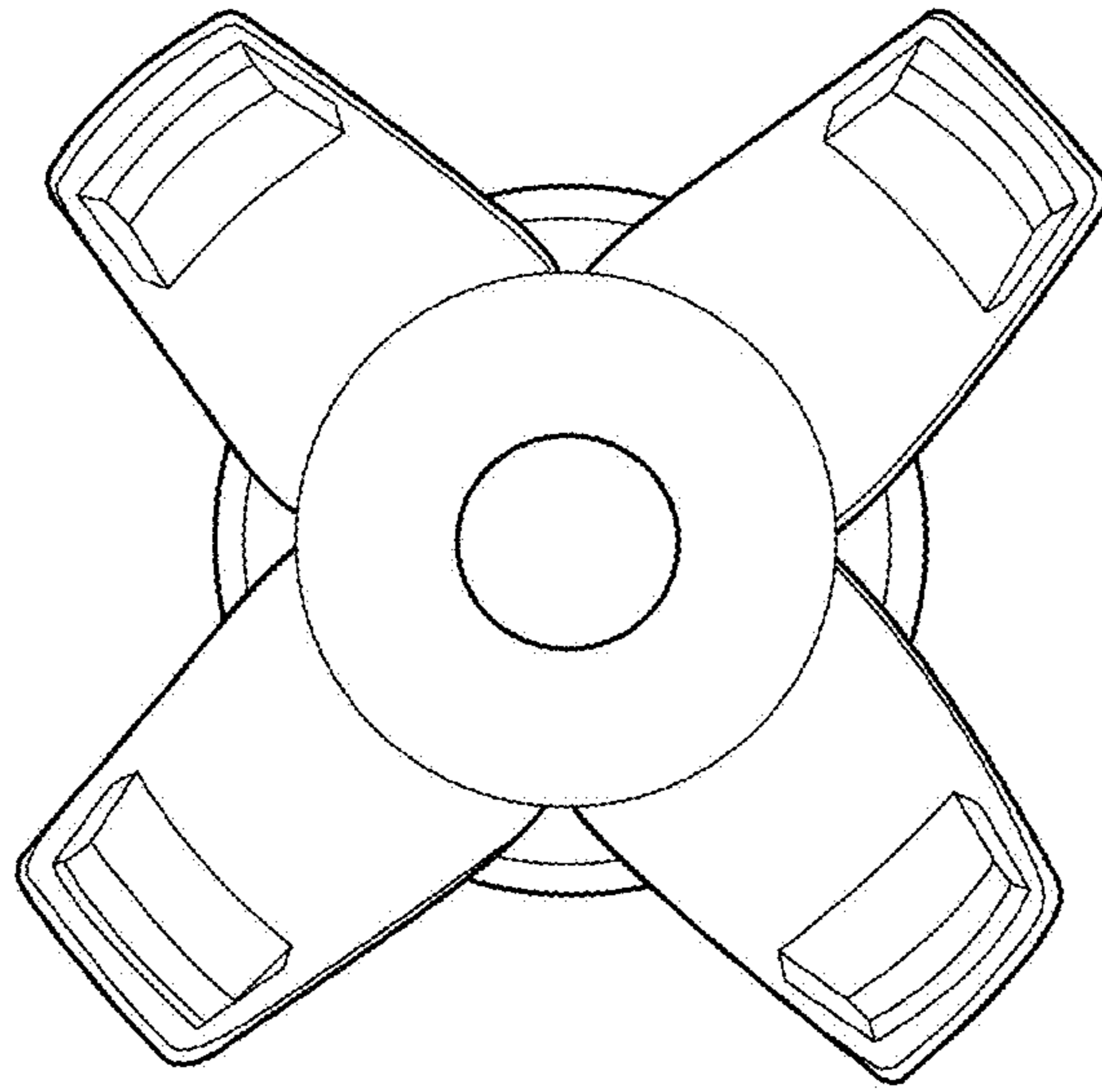


FIGURE 5

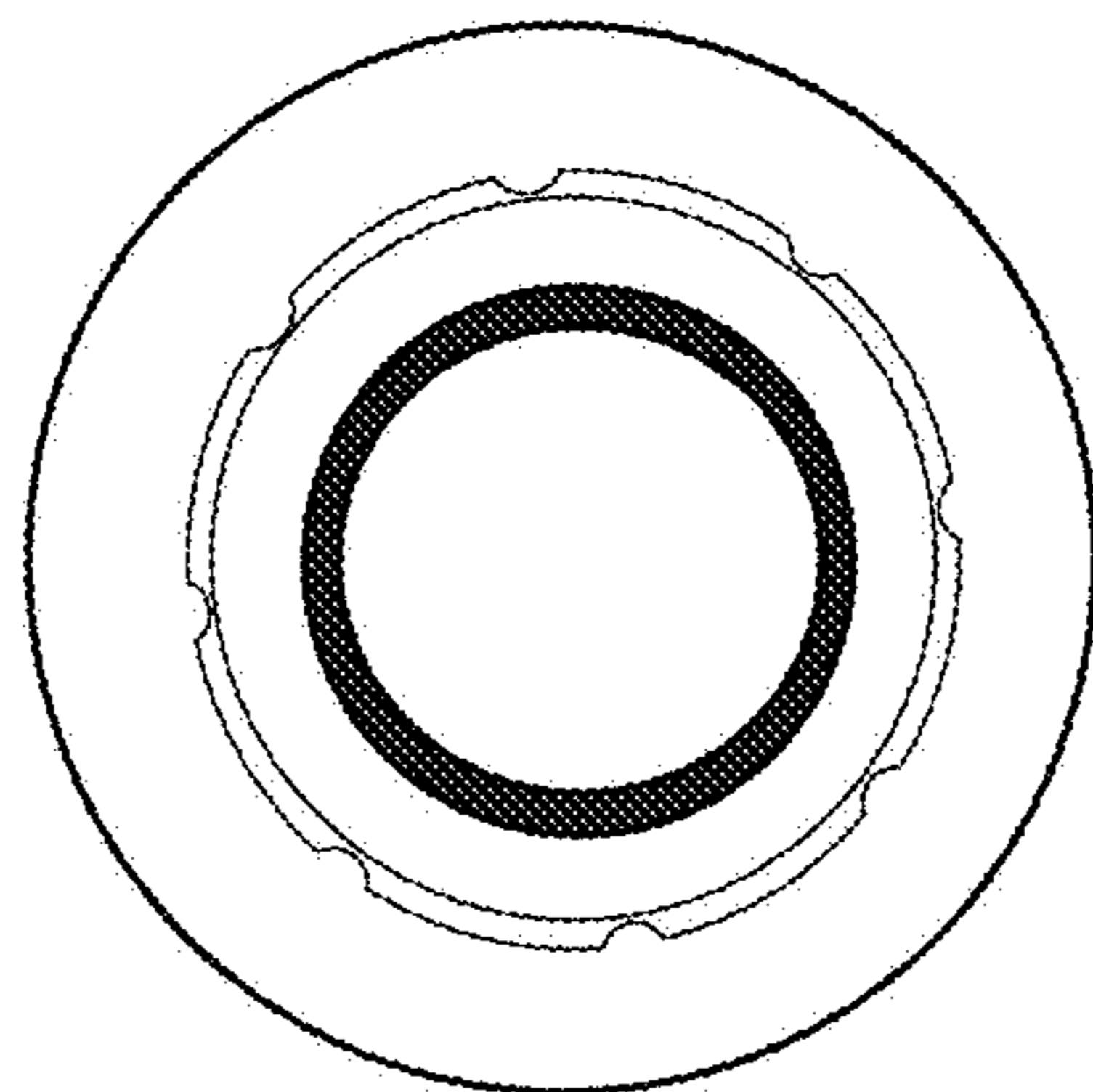


FIGURE 6

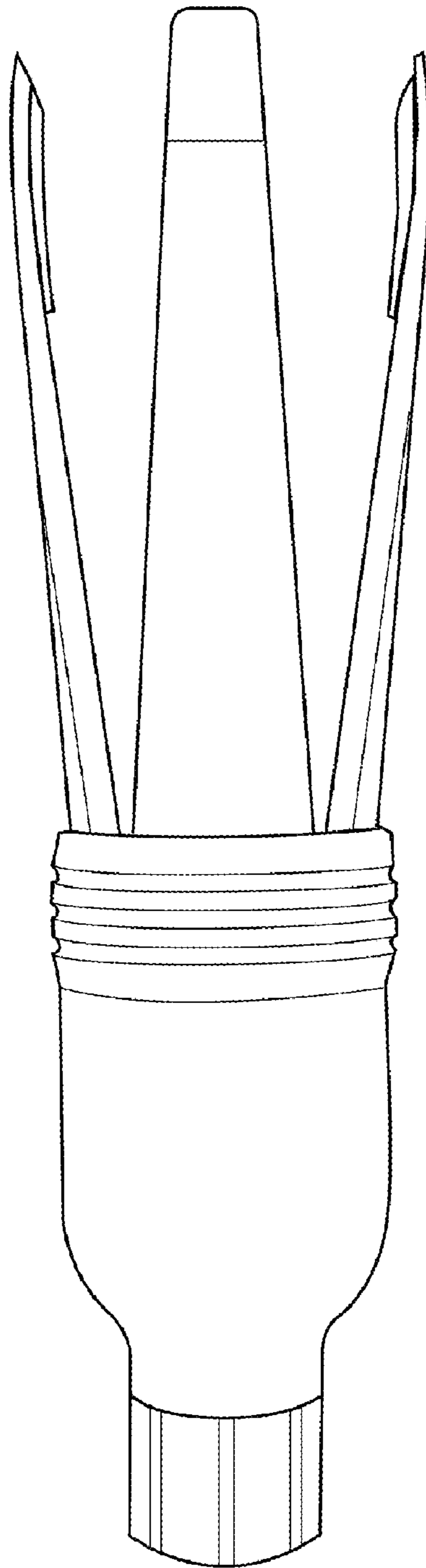


FIGURE 7

