



US00D610884S

(12) **United States Design Patent**
Rabanal

(10) **Patent No.:** **US D610,884 S**
(45) **Date of Patent:** **** *Mar. 2, 2010**

(54) **JALAPENO CORE CUTTER**

(75) Inventor: **Jane Rabanal**, Oakland, CA (US)

(73) Assignee: **Charcoal Companion Incorporated**,
Emeryville, CA (US)

(**) Term: **14 Years**

(21) Appl. No.: **29/335,675**

(22) Filed: **Apr. 20, 2009**

(51) **LOC (9) Cl.** **31-00**

(52) **U.S. Cl.** **D7/693; D7/650**

(58) **Field of Classification Search** D7/393,
D7/395, 401.2, 642-653, 662-664, 688, 693-696;
D8/20, 98-99; D22/117-118; 30/113.1,
30/123.5-123.7, 124-125, 128, 142-143,
30/147-149, 279.6, 316, 353, 356, 394; 119/623
See application file for complete search history.

(56) **References Cited**

U.S. PATENT DOCUMENTS

334,198	A *	1/1886	Sanford	119/623
D29,378	S *	9/1898	Hadden	D7/693
1,452,930	A *	4/1923	Polk	30/356
3,299,510	A *	1/1967	Taormina	30/279.6
3,618,208	A *	11/1971	Cronheim	30/113.1
4,970,786	A *	11/1990	Harper	30/123.7
D315,276	S *	3/1991	McCoy	D7/693
D453,285	S *	2/2002	Dostal et al.	D7/693
D488,045	S *	4/2004	Onion	D8/99
D567,055	S *	4/2008	Renzi et al.	D8/99

OTHER PUBLICATIONS

eBay website, "Chile Grill stainless steel jalapeno pepper corer, knife," before Apr. 20, 2009.

Amazon.com, "Home & Garden: Oxo Good Grips Corer," before Apr. 20, 2009.

Amazon.com, "Home & Garden: Jalapeno Corer," before Apr. 20, 2009.

eBay website, "Chile Grill wood handle jalapeno pepper corer, knife," before Apr. 20, 2009.

* cited by examiner

Primary Examiner—Caron Veynar

Assistant Examiner—Ricky Pham

(74) *Attorney, Agent, or Firm*—Donald L. Beeson; Beeson Skinner Beverly, LLP

(57) **CLAIM**

The ornamental design for a jalapeño core cutter, as shown and described.

DESCRIPTION

FIG. 1 is a top perspective view of a jalapeño core cutter showing my new design;

FIG. 2 is a front end elevation view thereof;

FIG. 3 is a left side elevation view thereof;

FIG. 4 is a top plan view thereof;

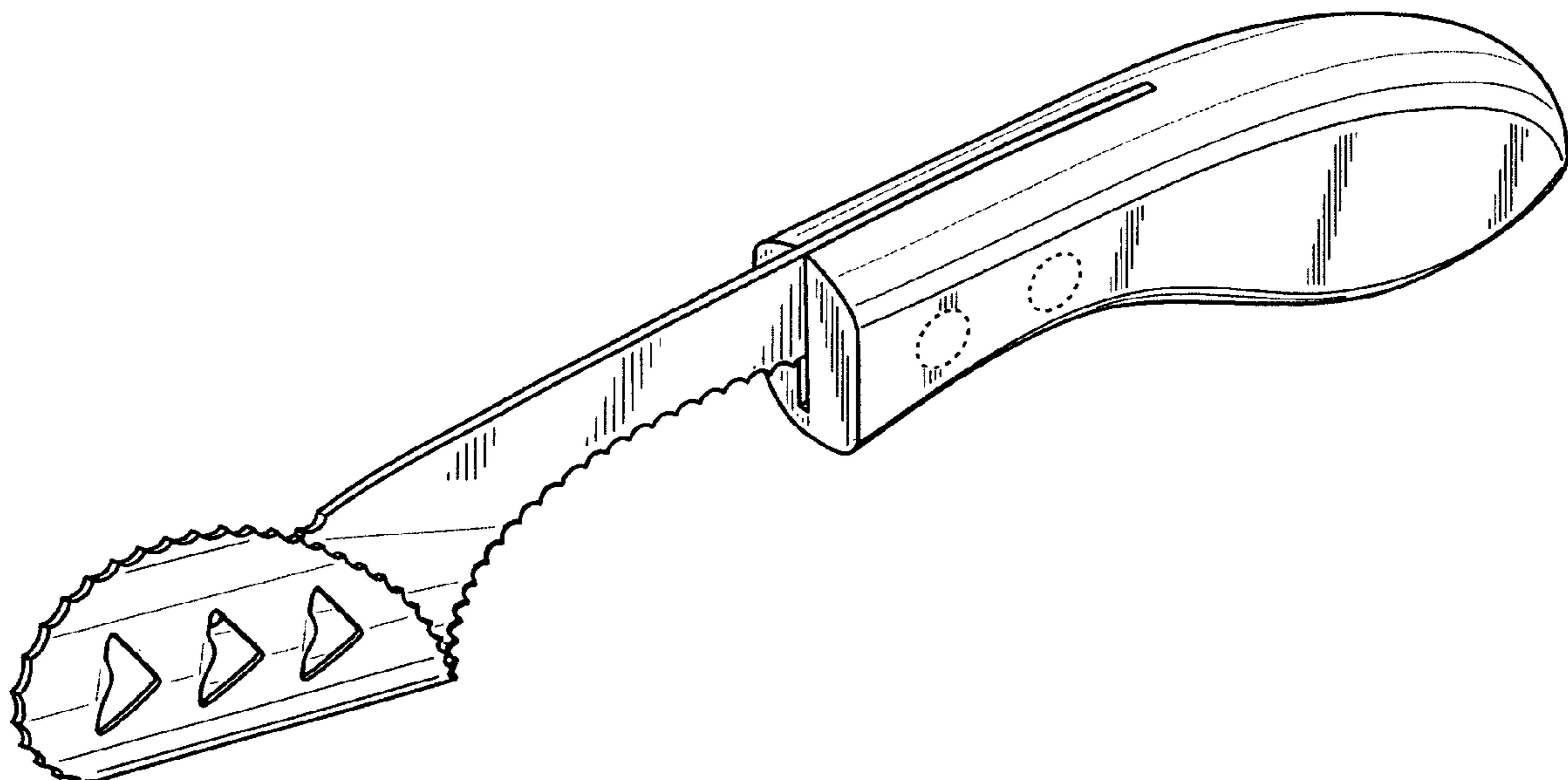
FIG. 5 is a rear end elevation view thereof;

FIG. 6 is a right side elevation view thereof; and,

FIG. 7 is a bottom plan view thereof.

The broken lines showing the blade fastener heads on the sides of the handle in FIGS. 1, 3, and 6 are for illustrative purposes only and form no part of my claimed design.

1 Claim, 2 Drawing Sheets



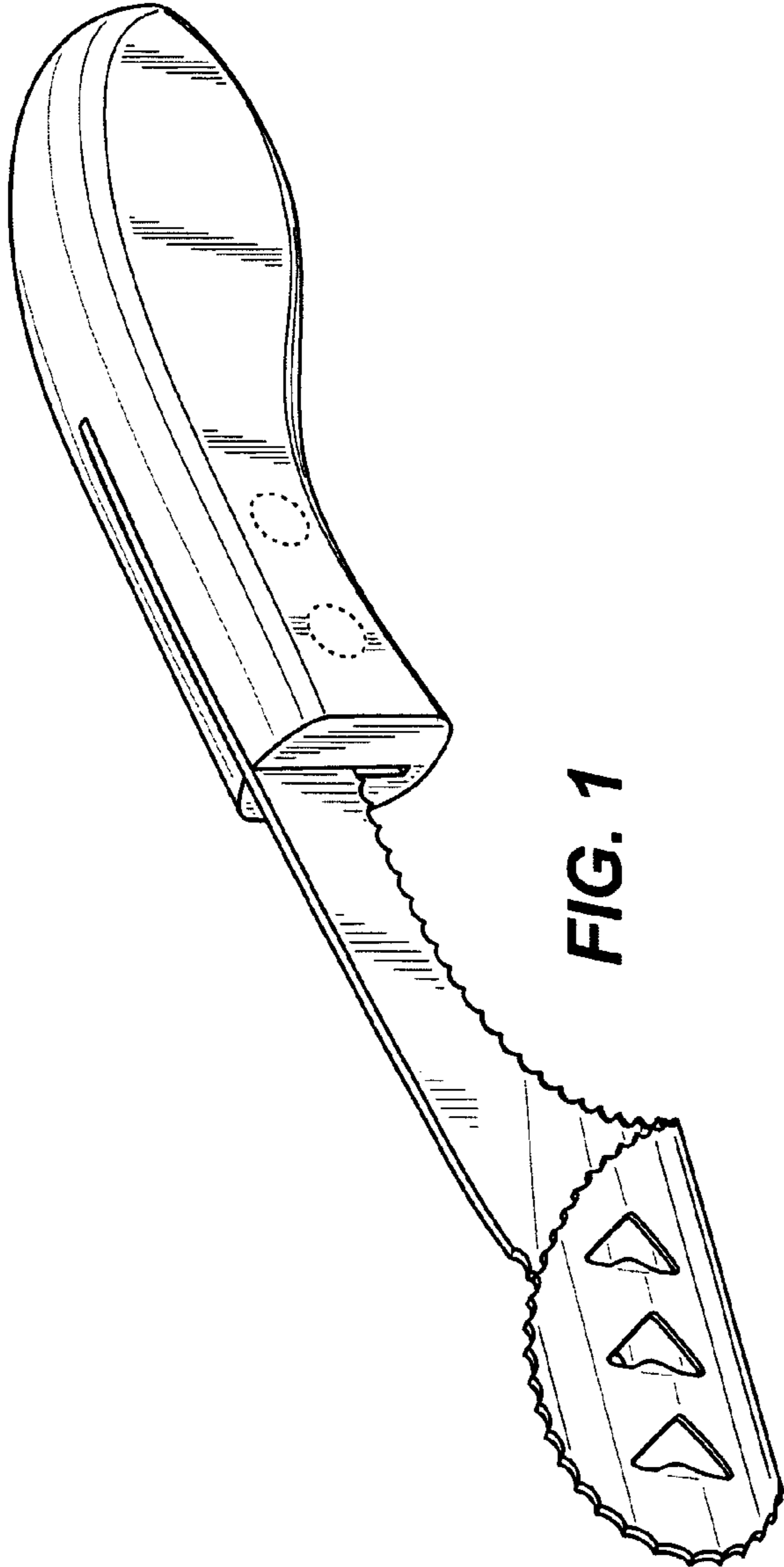


FIG. 1

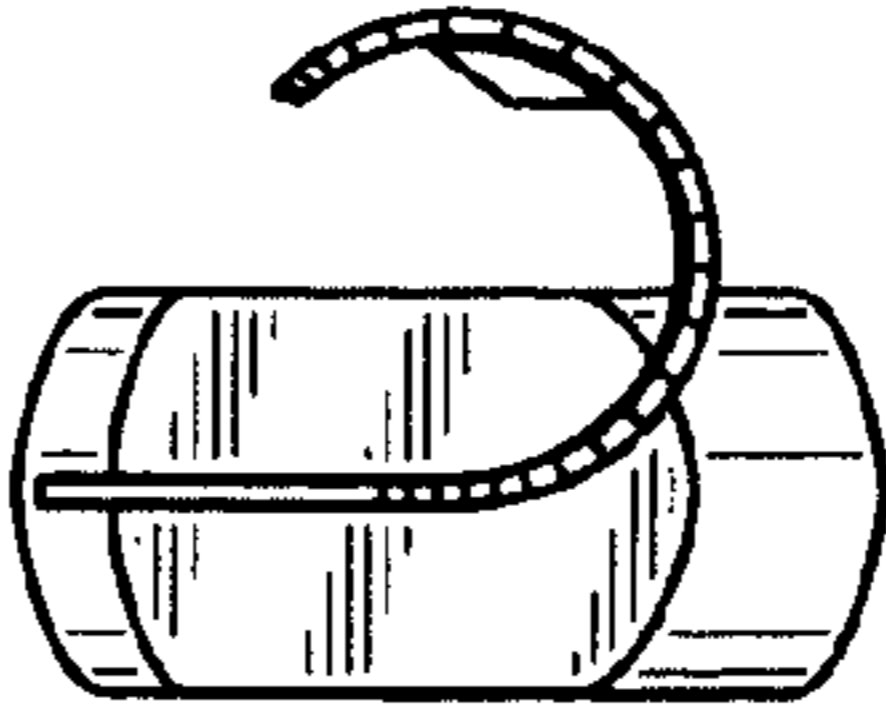


FIG. 2

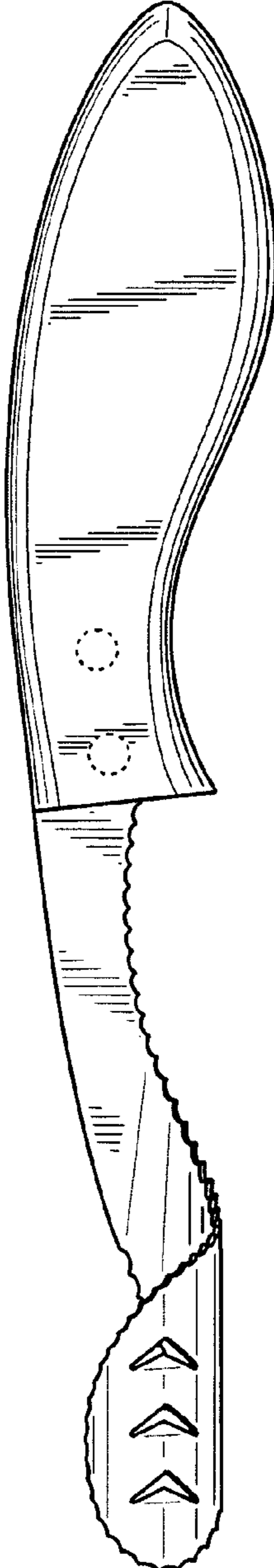


FIG. 3

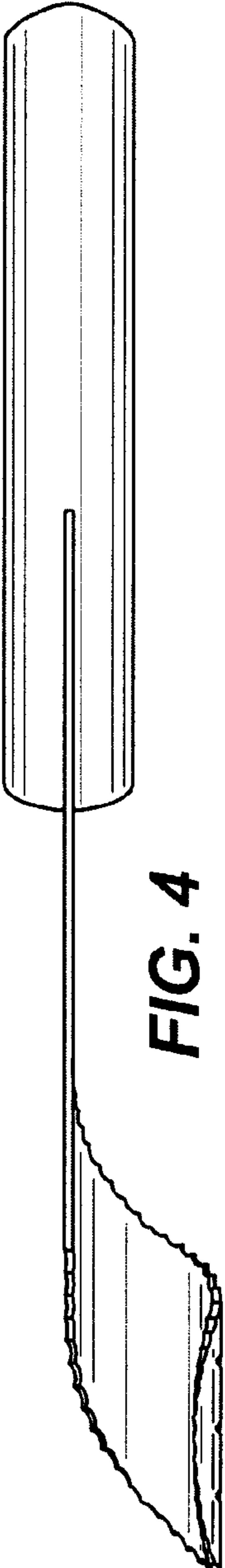


FIG. 4

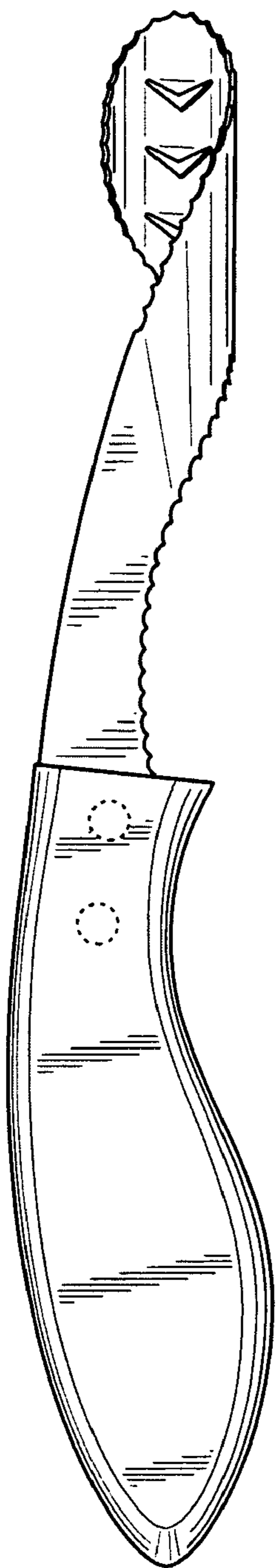


FIG. 5

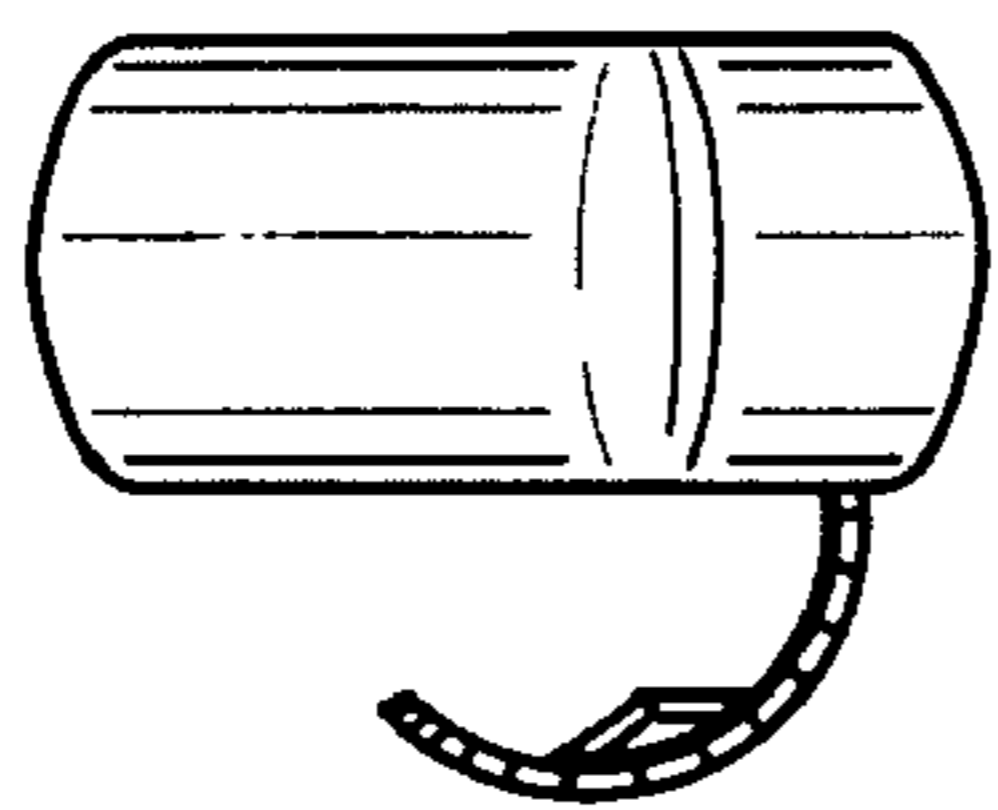


FIG. 6

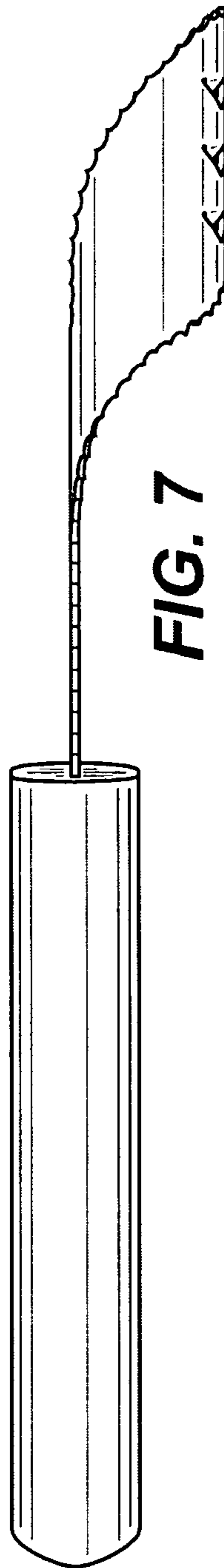


FIG. 7