



US00D610880S

(12) **United States Design Patent**  
**Pallotto**

(10) **Patent No.:** **US D610,880 S**  
(45) **Date of Patent:** **\*\* Mar. 2, 2010**

(54) **CITRUS JUICER**

(75) Inventor: **Simone Pallotto**, Brussels (BE)

(73) Assignee: **Dart Industries Inc.**, Orlando, FL (US)

(\*\*) Term: **14 Years**

(21) Appl. No.: **29/314,406**

(22) Filed: **Mar. 27, 2009**

(51) **LOC (9) Cl.** ..... **07-04**

(52) **U.S. Cl.** ..... **D7/665**

(58) **Field of Classification Search** ..... D7/665-668,  
D7/629, 601, 602; 99/495, 497, 501-513;  
241/100, 282.2, 33, 36, 37

See application file for complete search history.

(56) **References Cited**

**U.S. PATENT DOCUMENTS**

D307,090 S	4/1990	DeCoster	
D399,101 S	10/1998	Lillelund et al.	
D450,219 S *	11/2001	Smith	D7/543
D470,368 S *	2/2003	Kim	D7/665
7,080,463 B1 *	7/2006	Johnson	99/495
7,264,189 B2 *	9/2007	Holcomb et al.	241/169.1

\* cited by examiner

*Primary Examiner*—Terry A Wallace

(74) *Attorney, Agent, or Firm*—John A. Doninger

(57) **CLAIM**

The ornamental design for a citrus juicer, as shown and described.

**DESCRIPTION**

FIG. 1 is a top, side and front perspective view of the first embodiment of a citrus juicer showing my new design;

FIG. 2 is a front elevation view, the rear elevation being a mirror image thereof;

FIG. 3 is a right side elevation view thereof;

FIG. 4 is a left side elevation view thereof;

FIG. 5 is a top plan view, the bottom plan being a mirror image thereof;

FIG. 6 is a top, side and front perspective view thereof of one half on the entire article, show separated for clarity of illustration;

FIG. 7 is a front elevation view thereof;

FIG. 8 is a rear elevation view thereof;

FIG. 9 is a right side elevation view thereof;

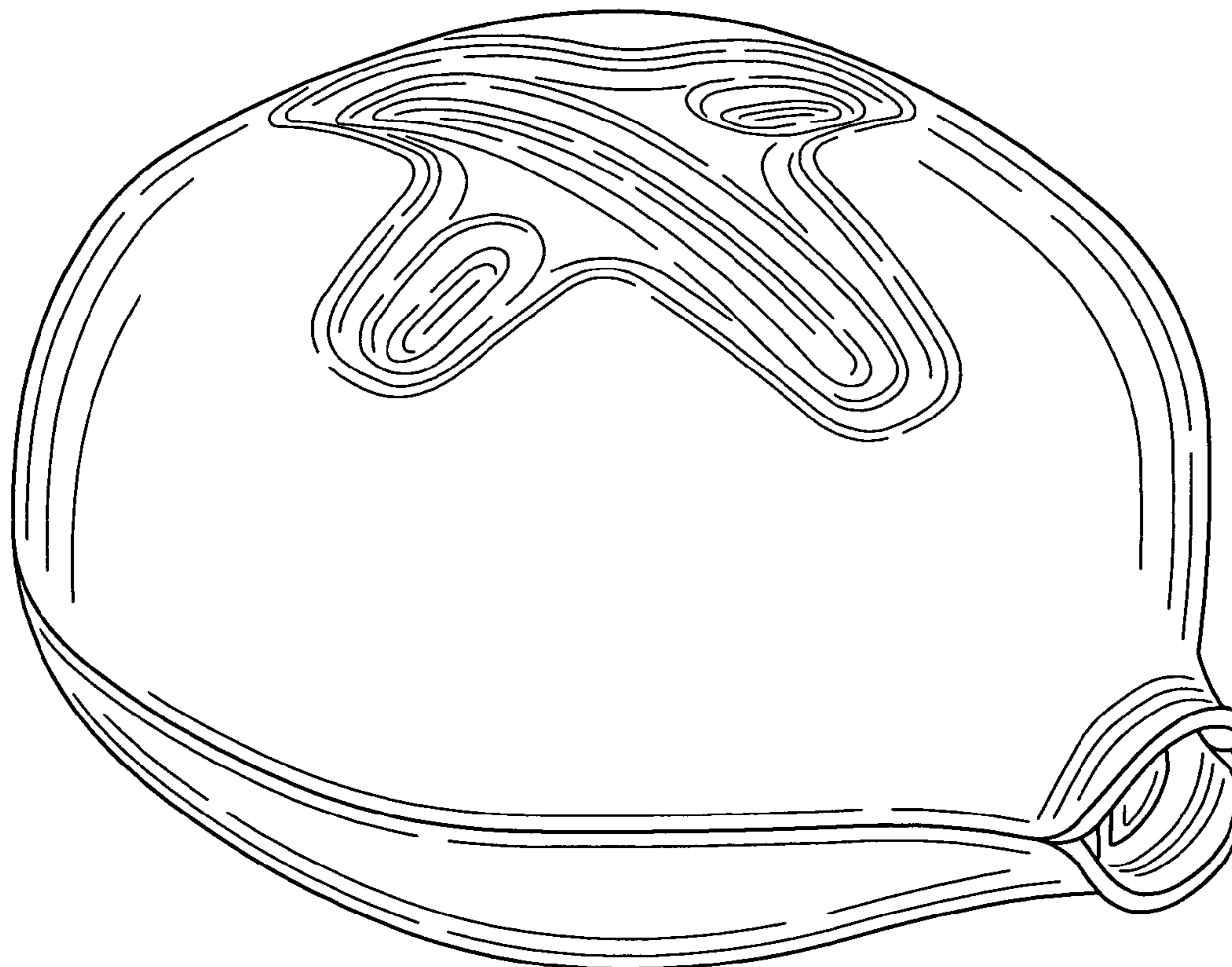
FIG. 10 is a left side elevation view thereof;

FIG. 11 is a top plan view thereof;

FIG. 12 is a bottom plan view thereof; and,

FIG. 13 is a bottom, side and rear perspective view thereof.

**1 Claim, 8 Drawing Sheets**



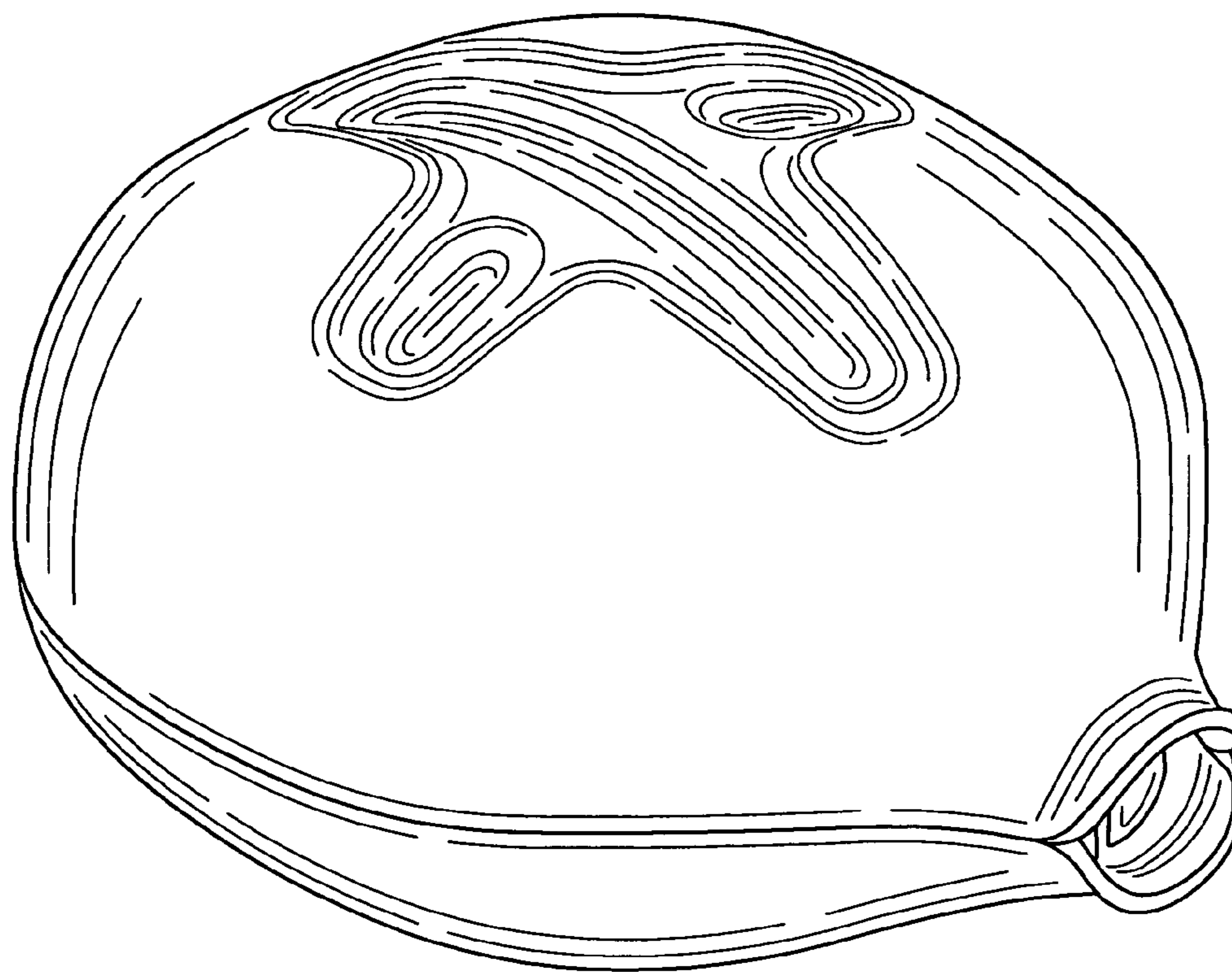


FIG. 1

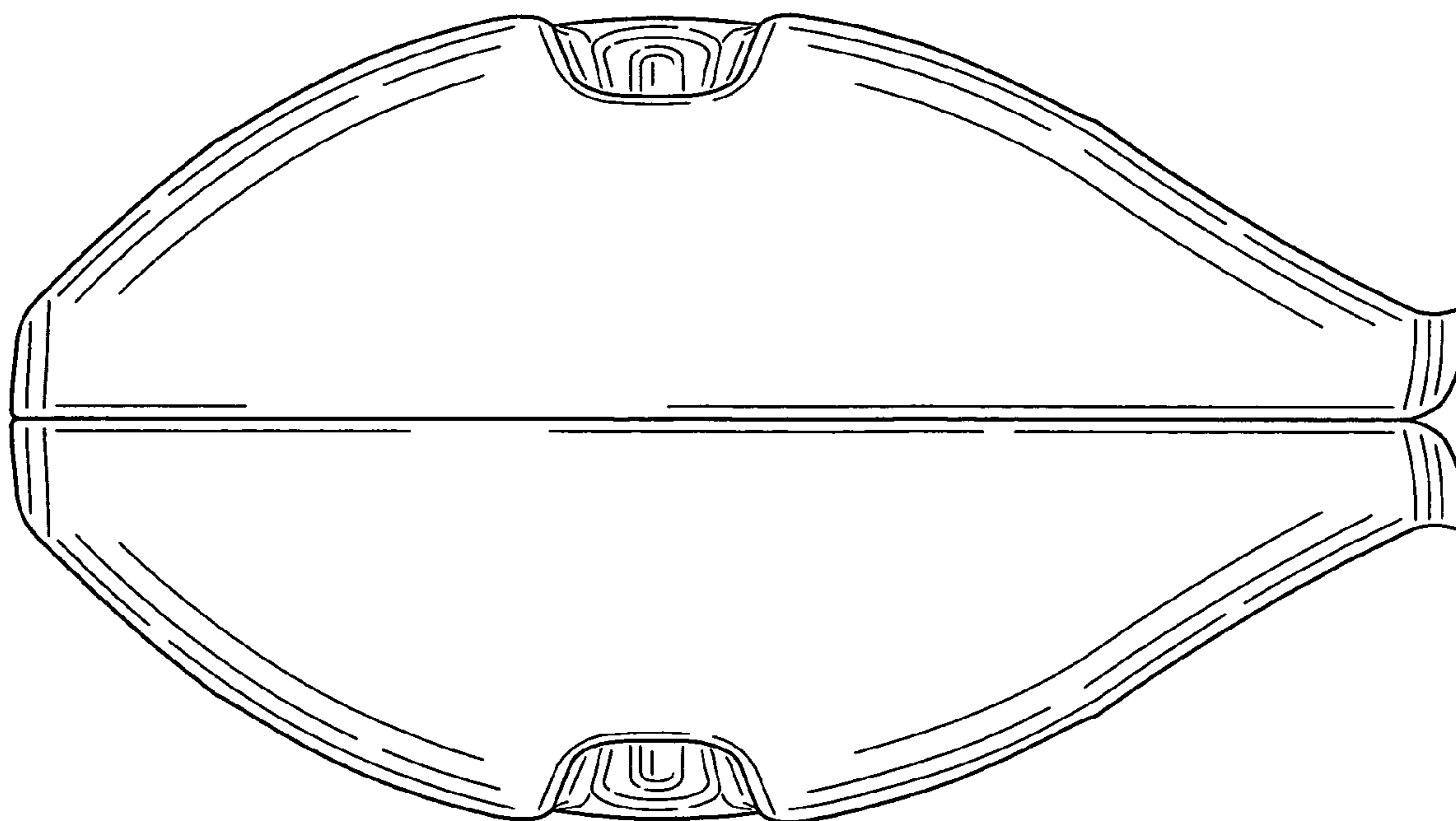
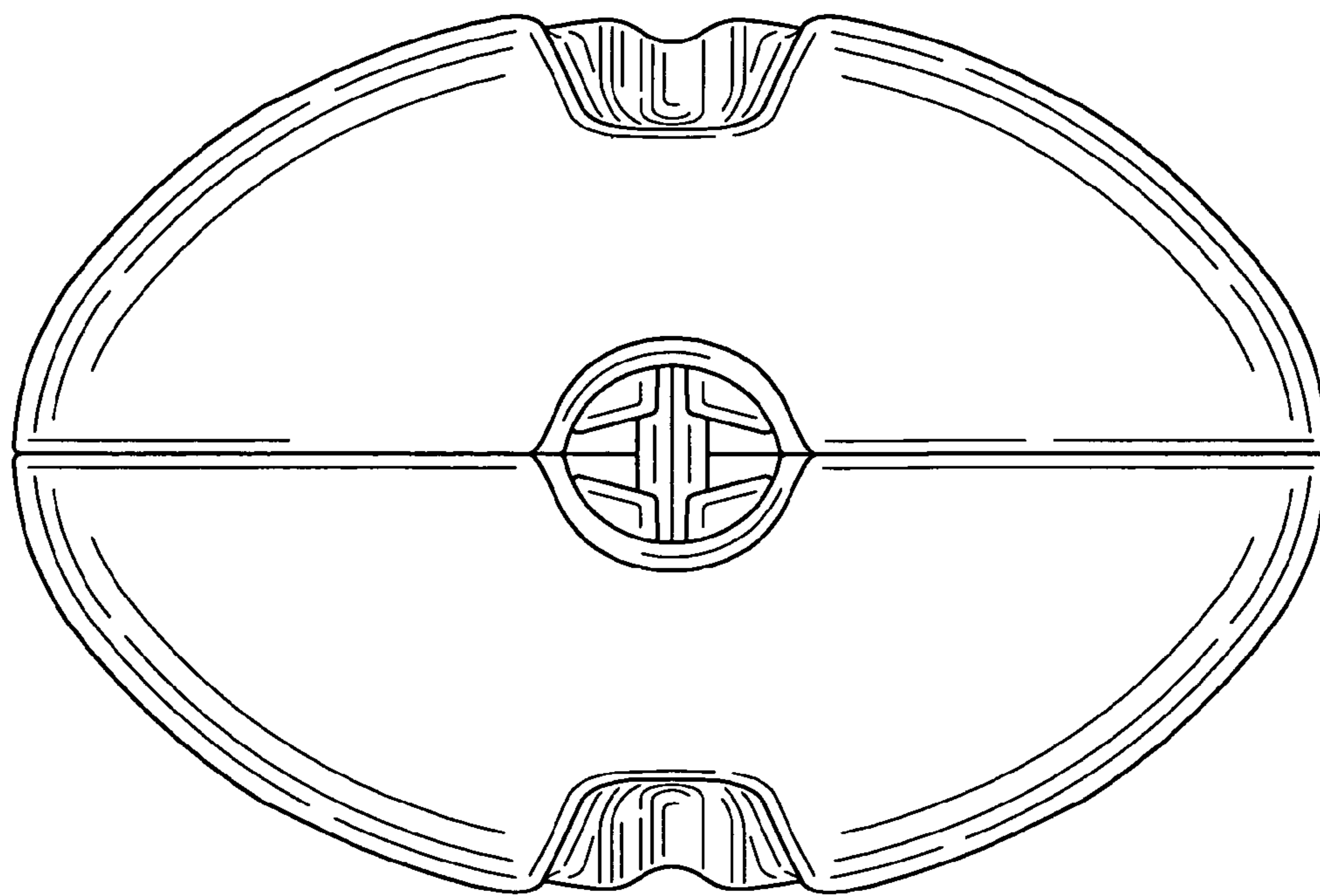
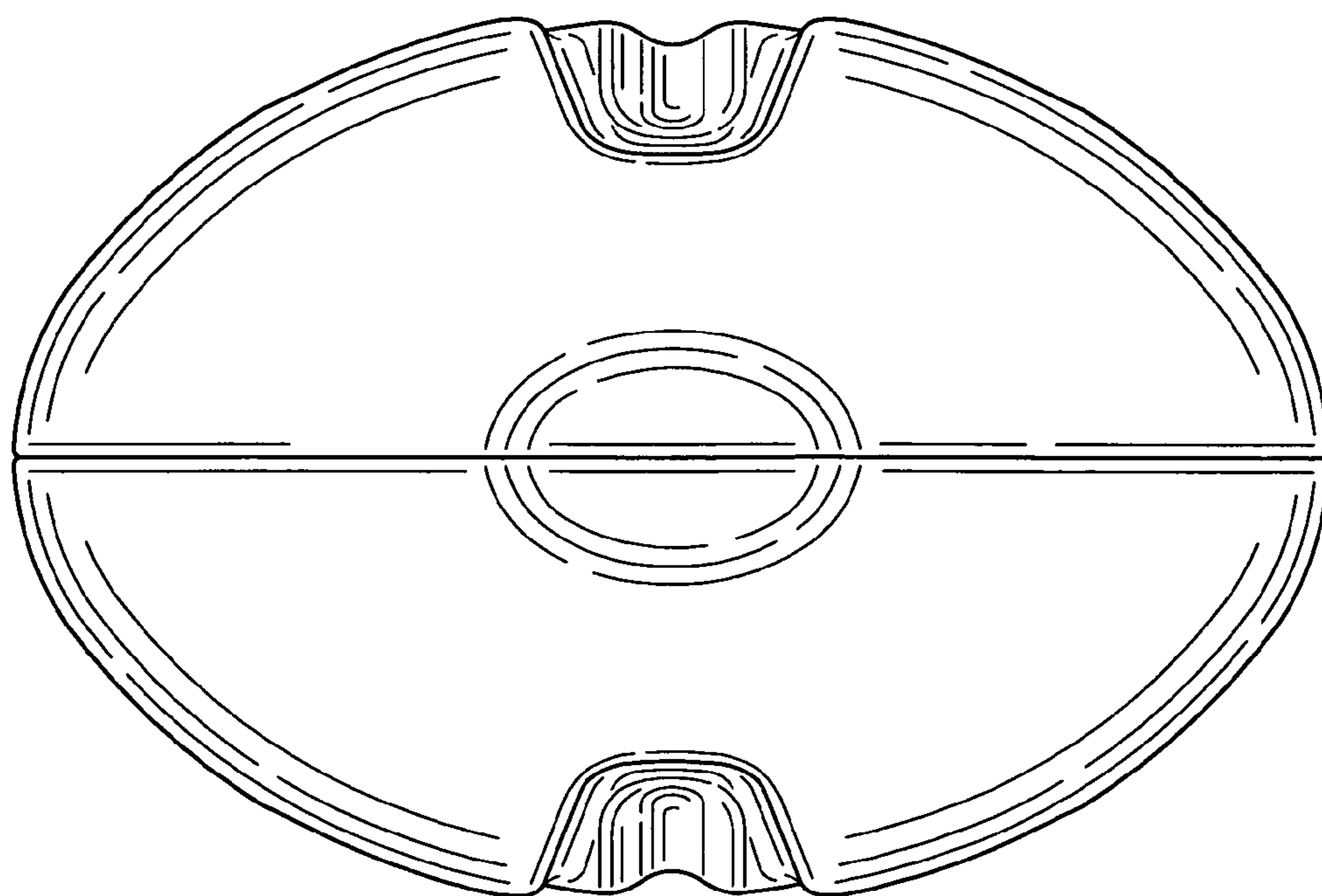


FIG. 2



*FIG. 3*



*FIG. 4*

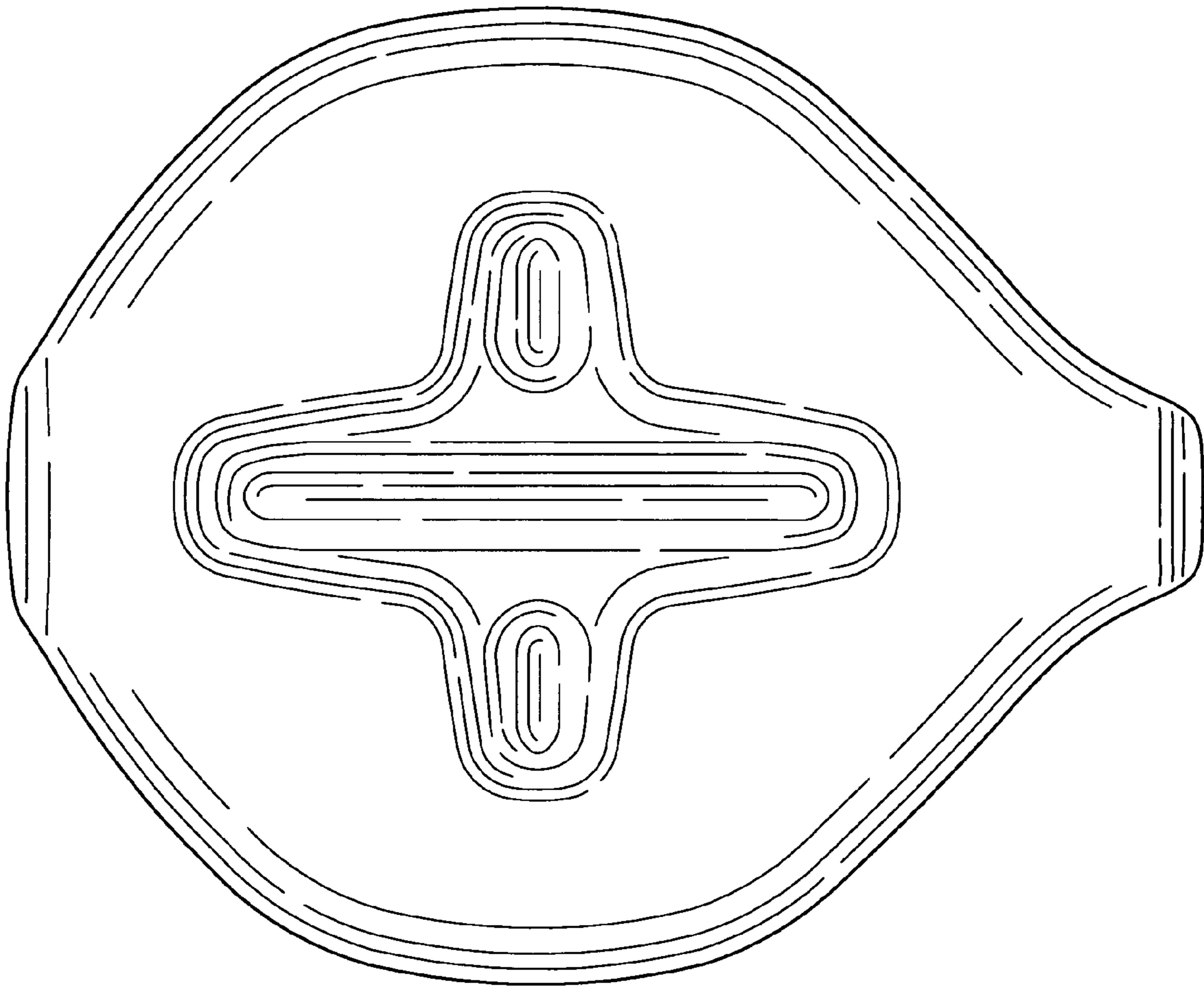


FIG. 5

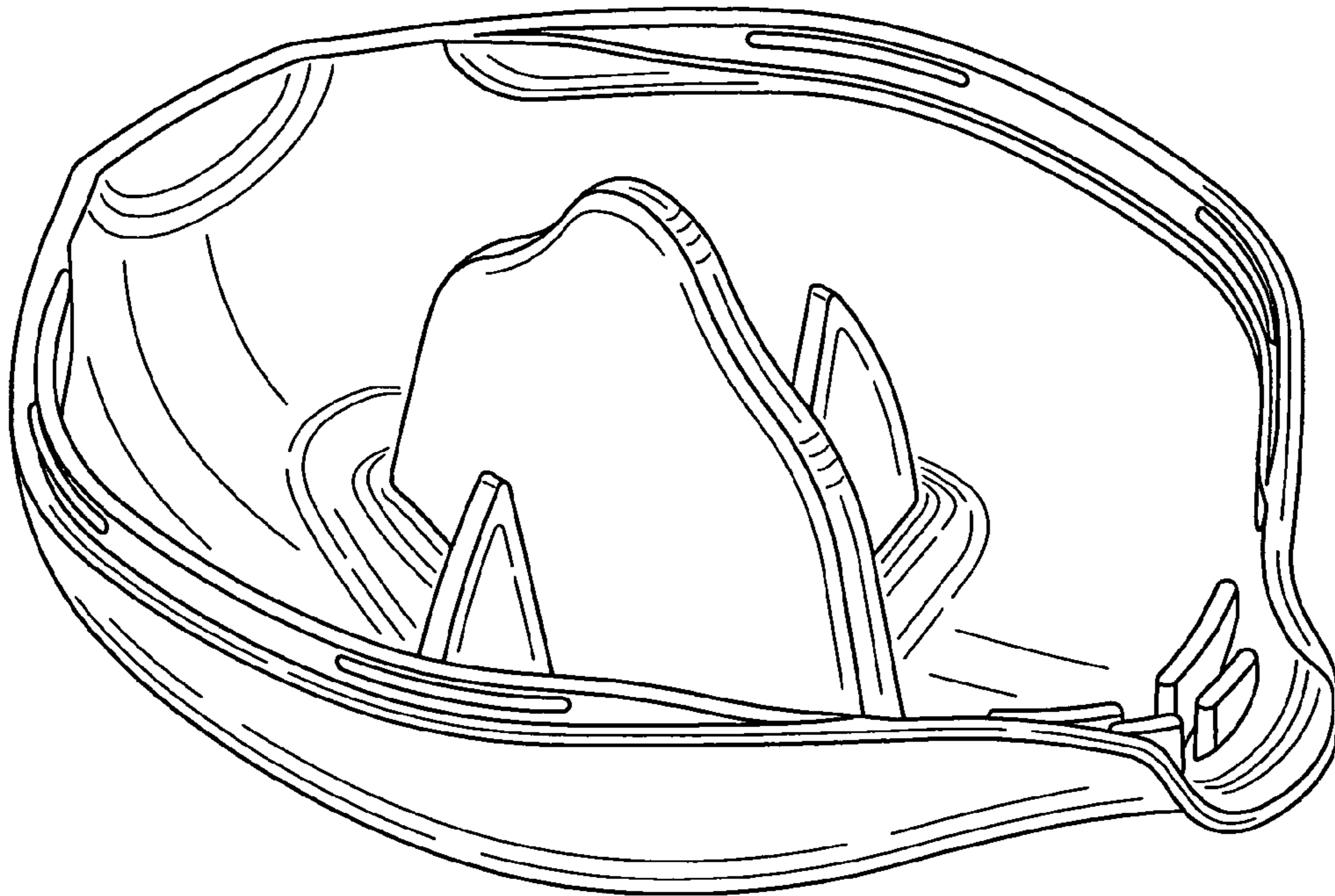


FIG. 6

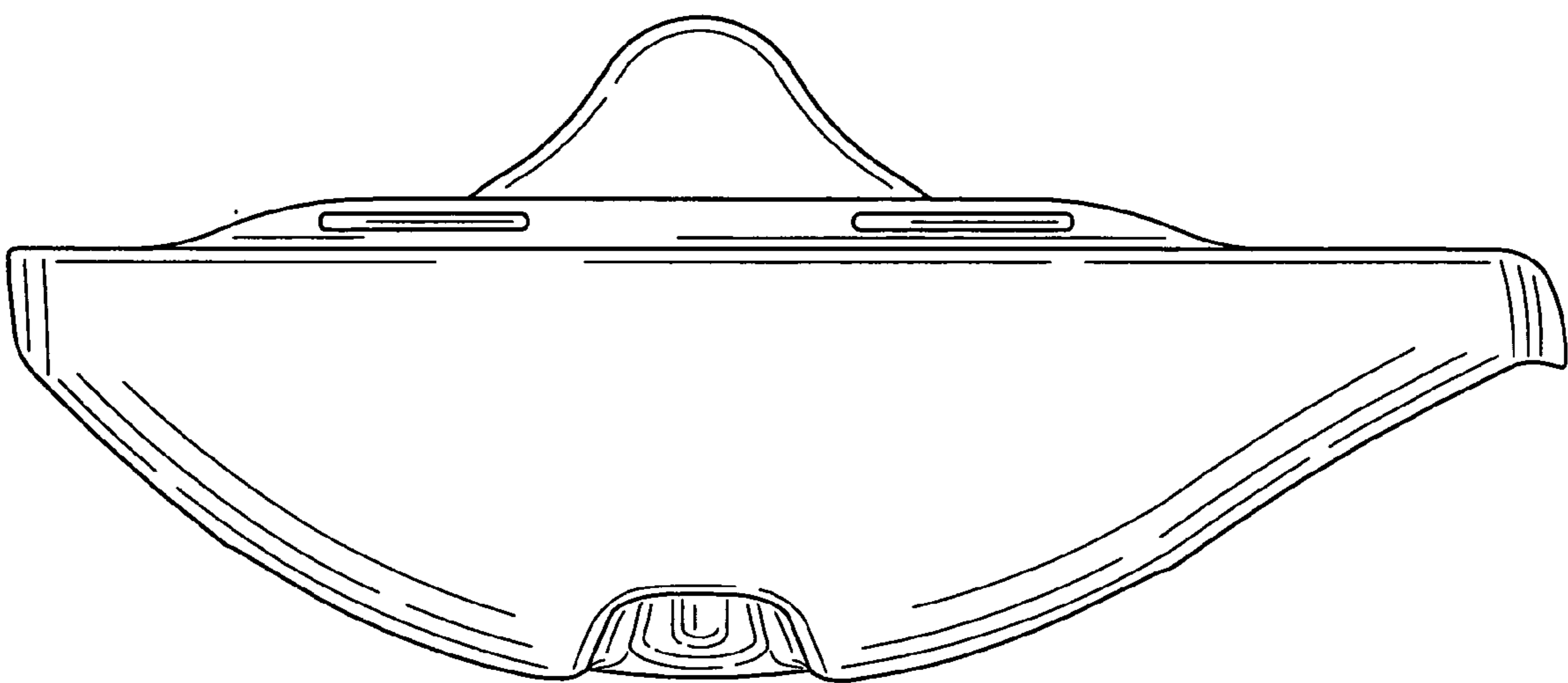


FIG. 7

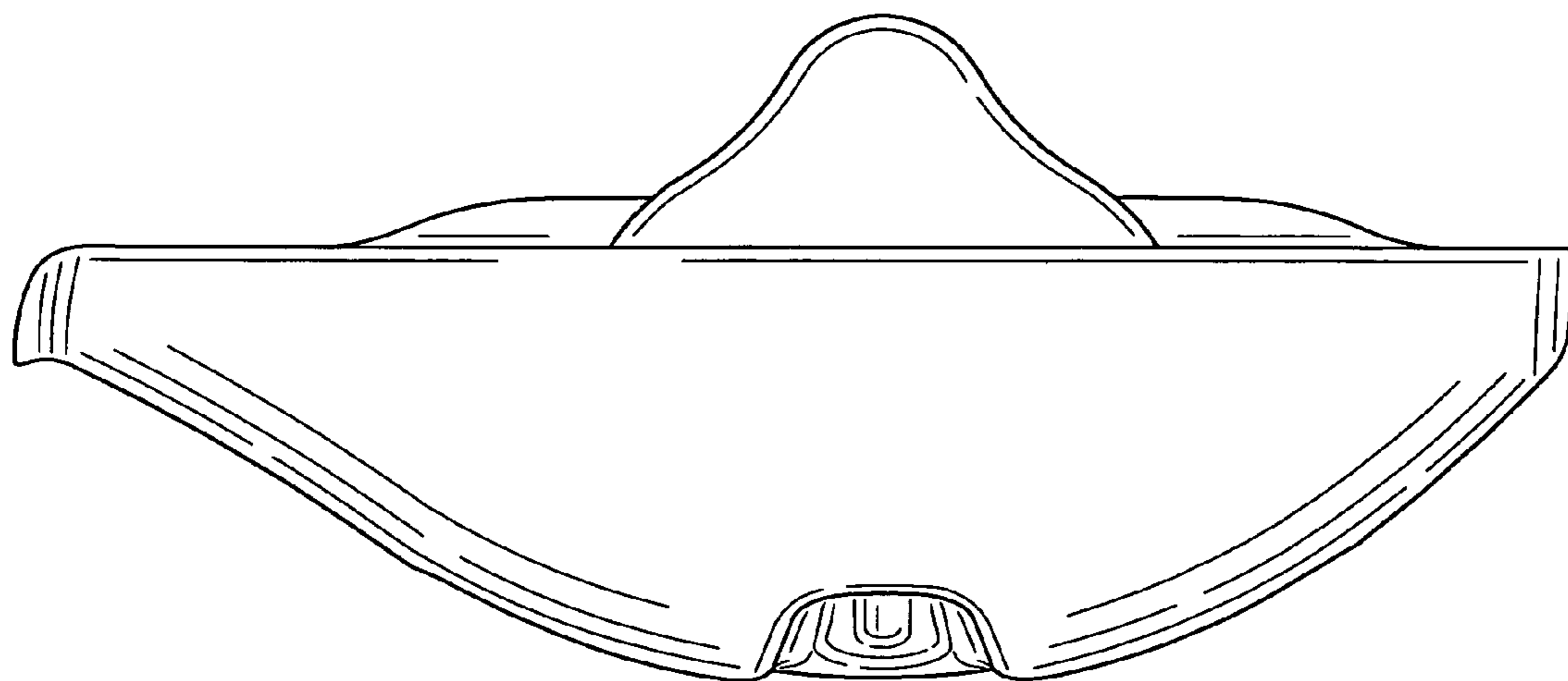


FIG. 8

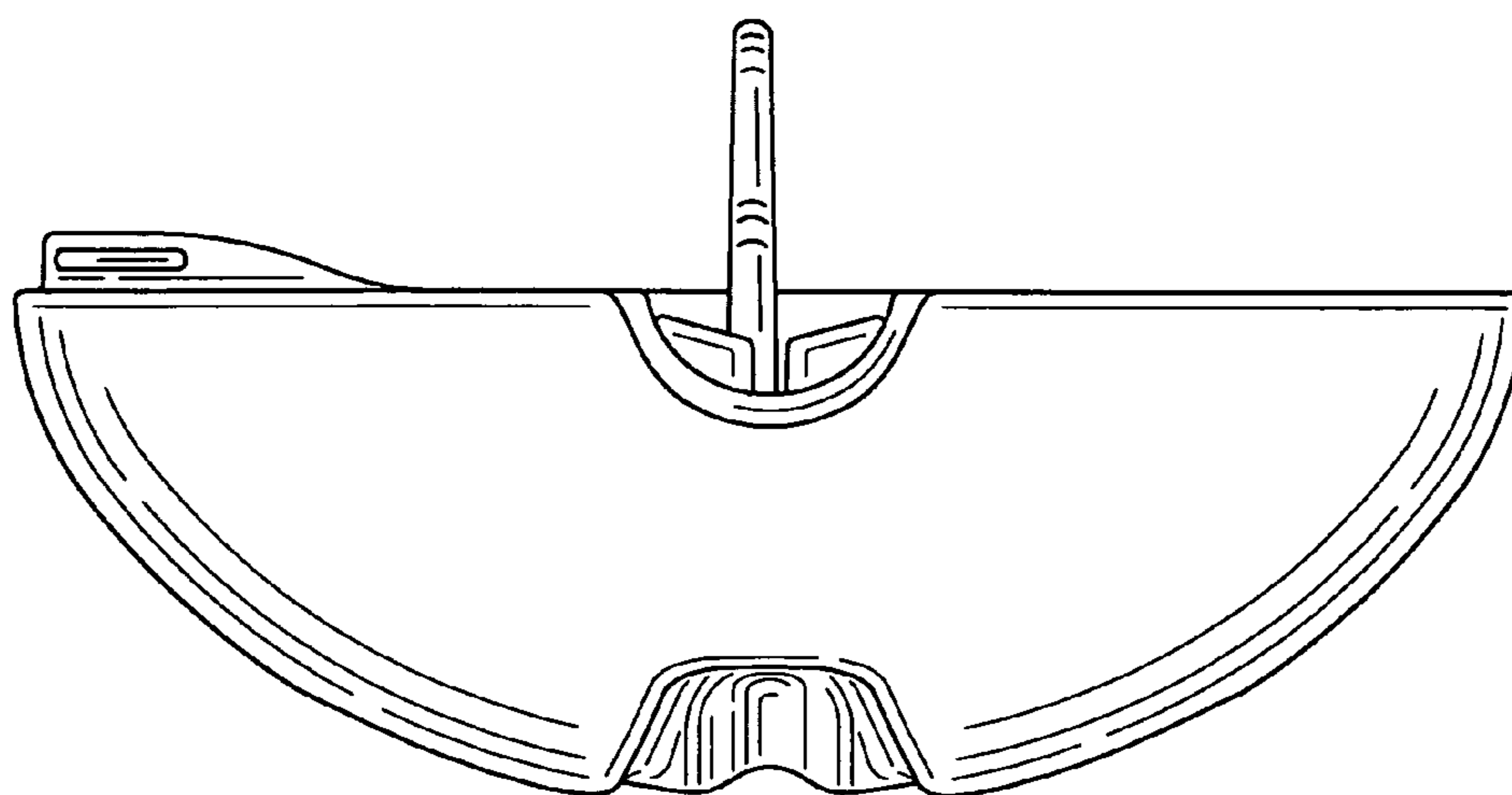


FIG. 9

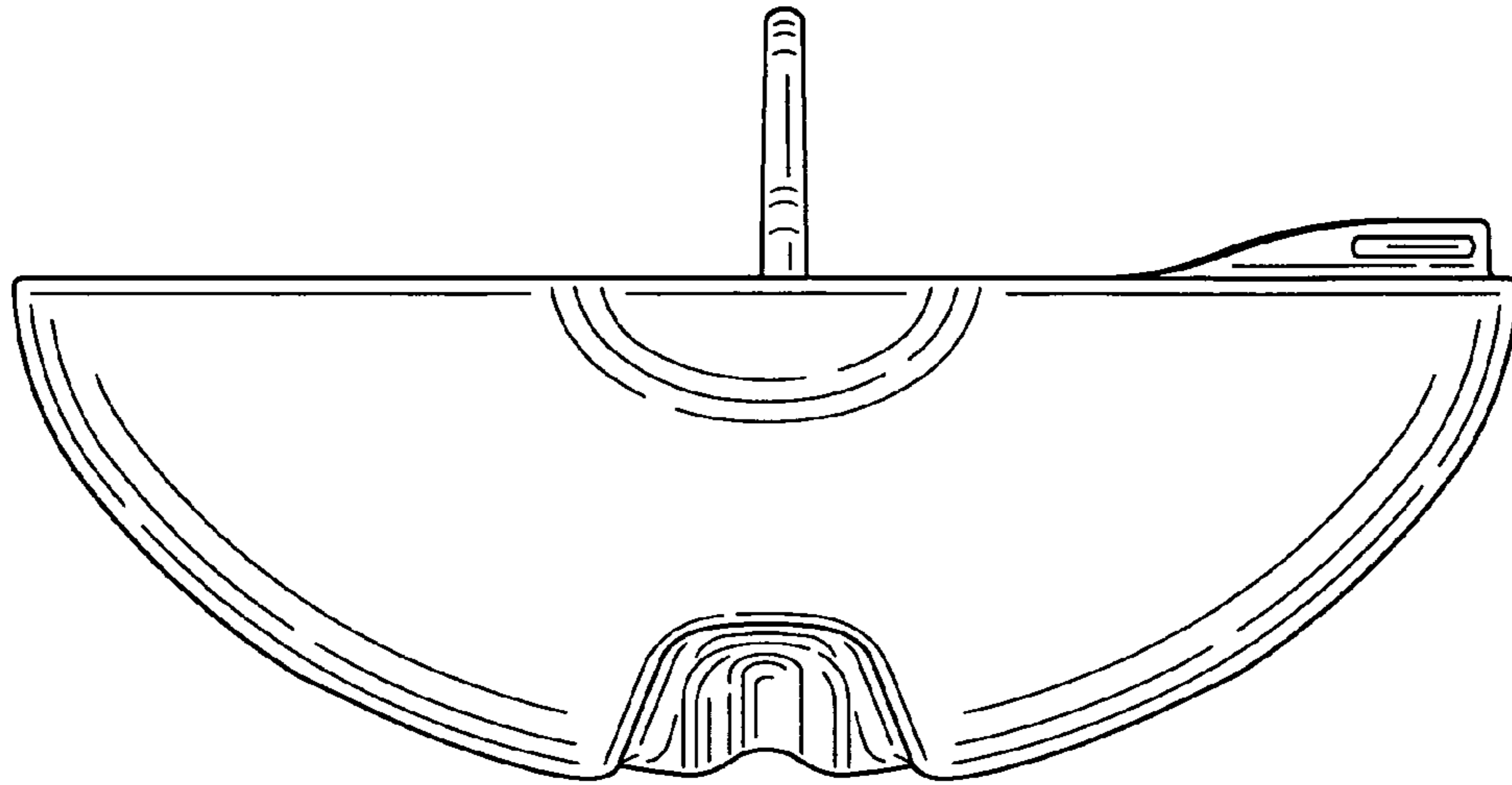


FIG. 10

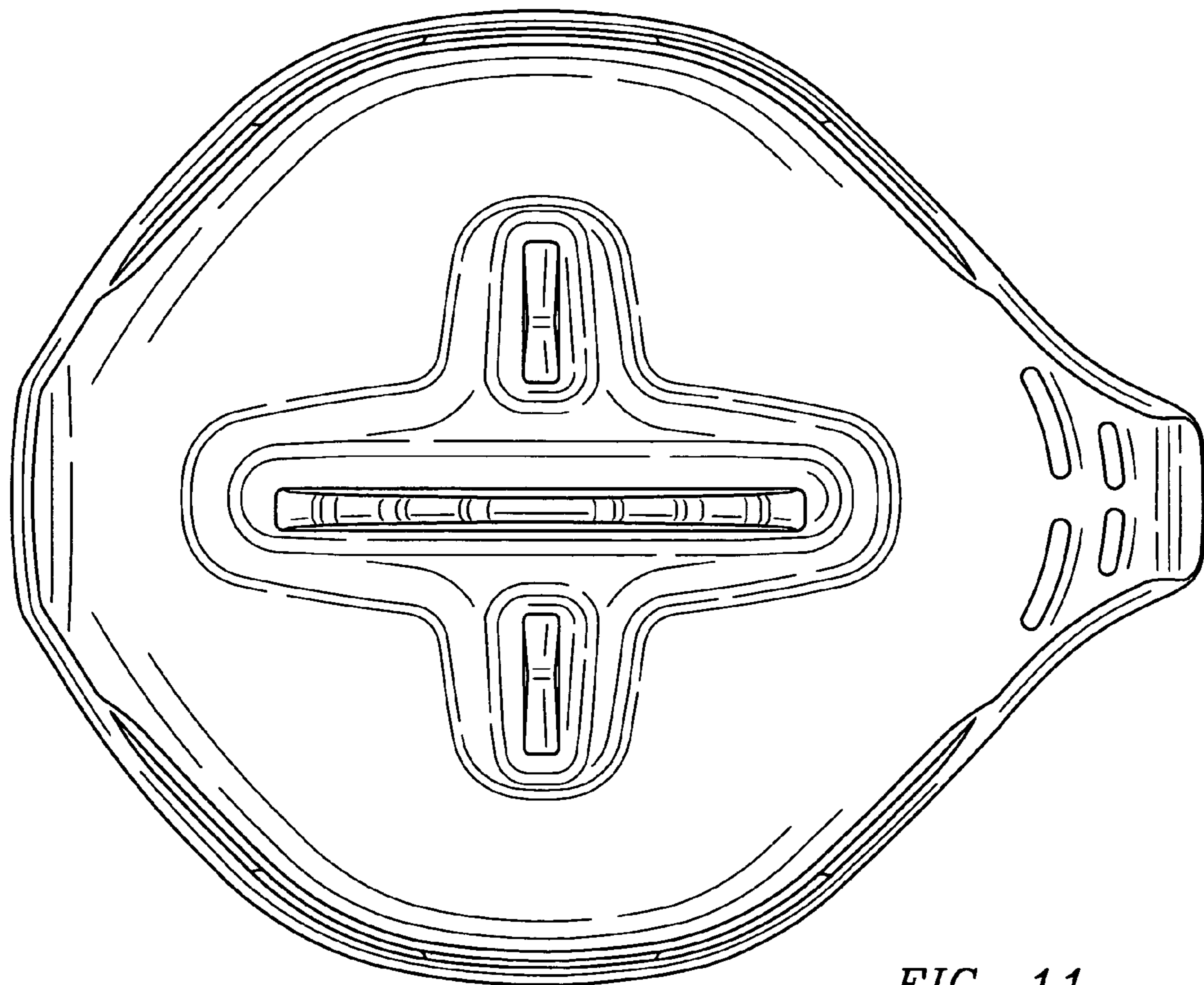
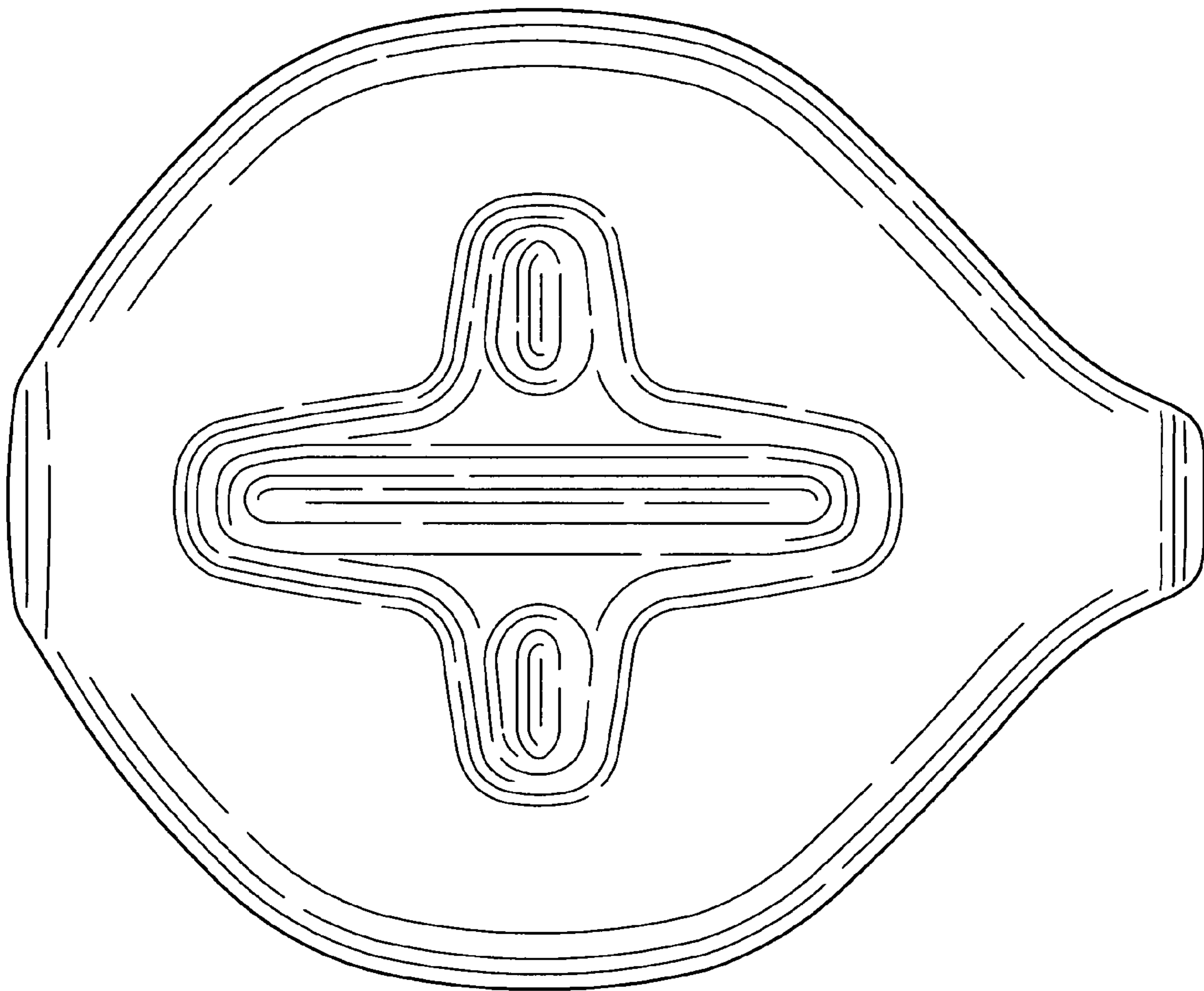
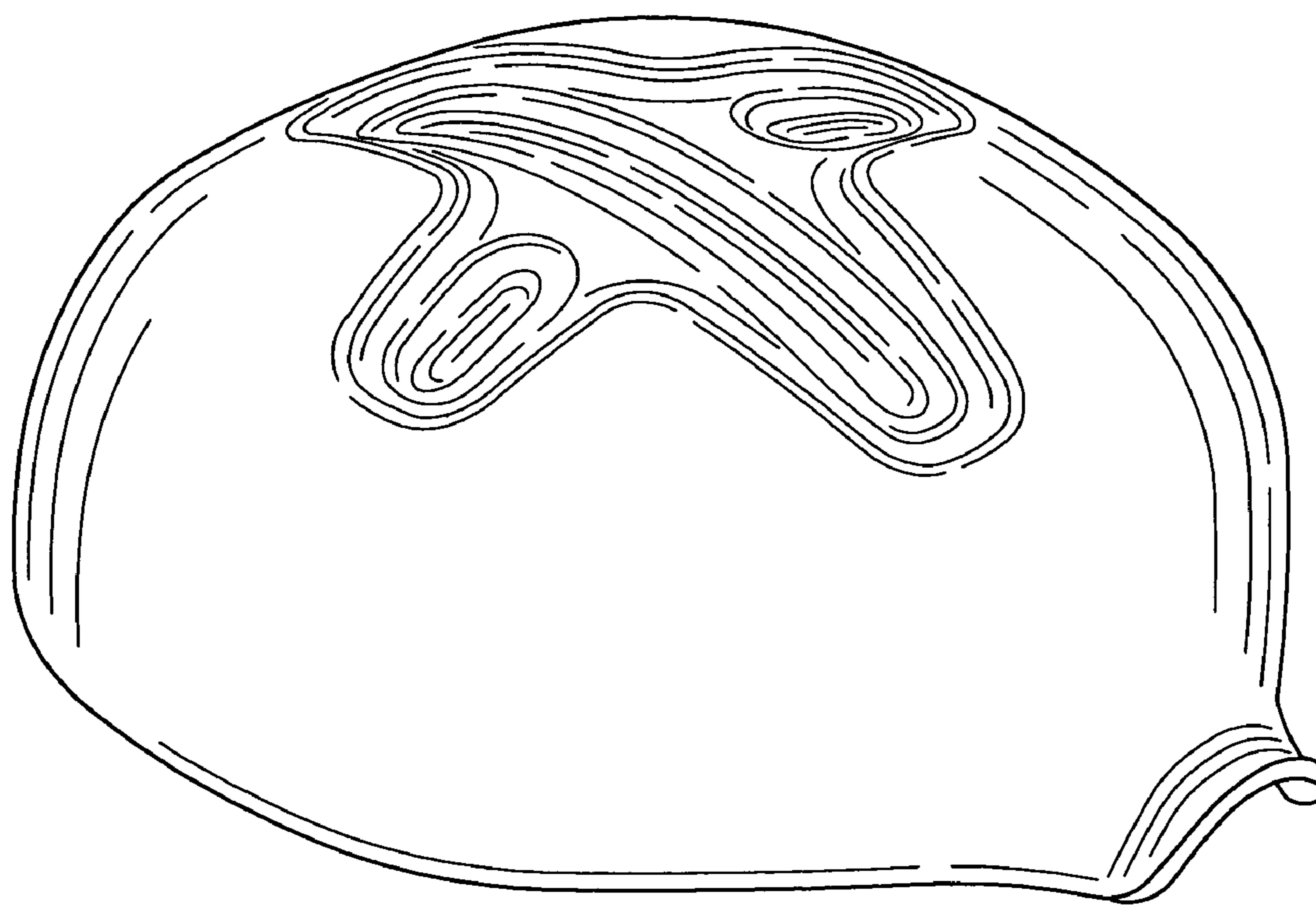


FIG. 11



*FIG. 12*





*FIG. 13*