



US00D610875S

(12) **United States Design Patent**
Wingfield et al.

(10) **Patent No.:** **US D610,875 S**
(45) **Date of Patent:** **** Mar. 2, 2010**

(54) **CONTAINER WITH LID**

(75) Inventors: **Toby Wingfield**, Mansfield, TX (US);
Sarah Brown, Liberty Township, OH (US)

(73) Assignee: **Fresh Express Incorporated**, Salinas, CA (US)

(**) Term: **14 Years**

(21) Appl. No.: **29/346,157**

(22) Filed: **Oct. 27, 2009**

Related U.S. Application Data

(63) Continuation of application No. 29/327,052, filed on Oct. 29, 2008, now Pat. No. Des. 605,469.

(51) **LOC (9) Cl.** **07-01**

(52) **U.S. Cl.** **D7/538; D7/509; D7/505; D9/503**

(58) **Field of Classification Search** D7/505, D7/553.7, 552.2, 553.8, 528, 555, 551.1, D7/566, 541, 585, 571, 316, 356, 409, 667, D7/500, 538, 543, 549, 554.3, 553.5, 553.3, D7/553.2, 553.1, 550, 558, 614, 703, 629, D7/357, 550.1, 523, 509; 229/406, 904, 229/5.83, 558, 557; 220/23.86, 23.4, 359.4, 220/556, 575, 23.8, 500, 4.24, 526, 523, 220/645, 553, 377, 281; 206/583, 532, 562, 206/538, 575, 574, 23.86, 563, 564, 217, 206/815; D9/741, 739, 737, 759, 761, 424-426, D9/666, 503; D3/315; D28/61; 211/74; 294/172; 108/25; 99/341

See application file for complete search history.

(56) **References Cited**

U.S. PATENT DOCUMENTS

178,622 A * 6/1876 Ford 220/4.21
700,653 A * 5/1902 Jobson 215/227
786,522 A * 4/1905 Ford 173/24
1,607,865 A * 11/1926 Butler 206/542

1,734,477 A * 11/1929 Fowle 229/401
2,707,588 A * 5/1955 Amberg 229/125.17

(Continued)

Primary Examiner—Robert M Spear

Assistant Examiner—Cynthia Underwood

(74) *Attorney, Agent, or Firm*—Townsend and Townsend and Crew LLP

(57) **CLAIM**

The ornamental design for a container with lid, as shown and described.

DESCRIPTION

FIG. 1 is a perspective view of a container with lid showing our new design;

FIG. 2 is a left side elevational view thereof;

FIG. 3 is a right side elevational view thereof;

FIG. 4 is a front elevational view thereof;

FIG. 5 is a rear elevational view thereof;

FIG. 6 is a top plan view thereof; and

FIG. 7 is a bottom plan view thereof.

FIG. 8 is a perspective view thereof shown with the lid in a removed position;

FIG. 9 is a perspective view of a second embodiment of a container with lid showing our new design;

FIG. 10 is a left side elevational view thereof;

FIG. 11 is a right side elevational view thereof;

FIG. 12 is a front elevational view thereof;

FIG. 13 is a rear elevational view thereof;

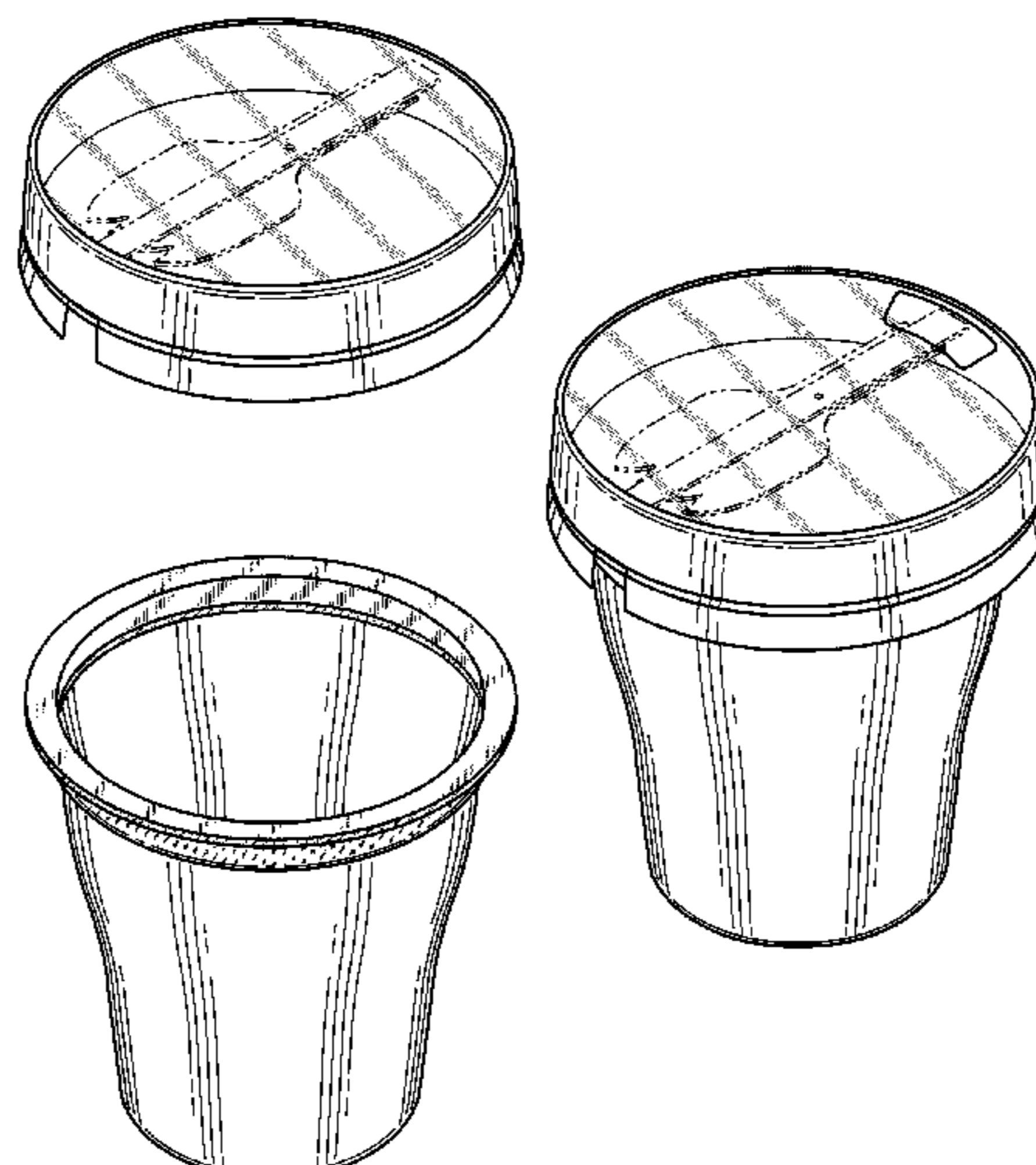
FIG. 14 is a top plan view thereof; and

FIG. 15 is a bottom plan view thereof; and,

FIG. 16 is a perspective view thereof shown with the lid in a removed position.

The broken lines shown in the drawings are for illustration purposes and form no part of the claimed design.

1 Claim, 10 Drawing Sheets



US D610,875 S

Page 2

U.S. PATENT DOCUMENTS

2,840,292	A *	6/1958	Stoddard	229/401	5,695,084	A *	12/1997	Chmela et al.	220/212
3,955,742	A *	5/1976	Marshall et al.	220/574	D400,397	S *	11/1998	Stephan	D7/510
4,036,398	A *	7/1977	Hoogvelt et al.	220/270	6,003,710	A *	12/1999	Huang	220/212
D273,651	S *	5/1984	Emrick	D7/523	6,371,324	B1 *	4/2002	Torniainen et al.	220/212
4,794,008	A *	12/1988	Schmidt et al.	426/234	D469,316	S *	1/2003	Quan	D7/615
5,251,774	A *	10/1993	Engle	220/212	D528,432	S *	9/2006	Snedden et al.	D9/716
5,385,255	A *	1/1995	Varano et al.	229/404	D547,124	S *	7/2007	Peretz	D7/538
5,542,532	A *	8/1996	Mitchell	206/308.1	D548,587	S *	8/2007	DuVal et al.	D9/428
						D574,703	S *	8/2008	Cassol et al.	D9/416

* cited by examiner

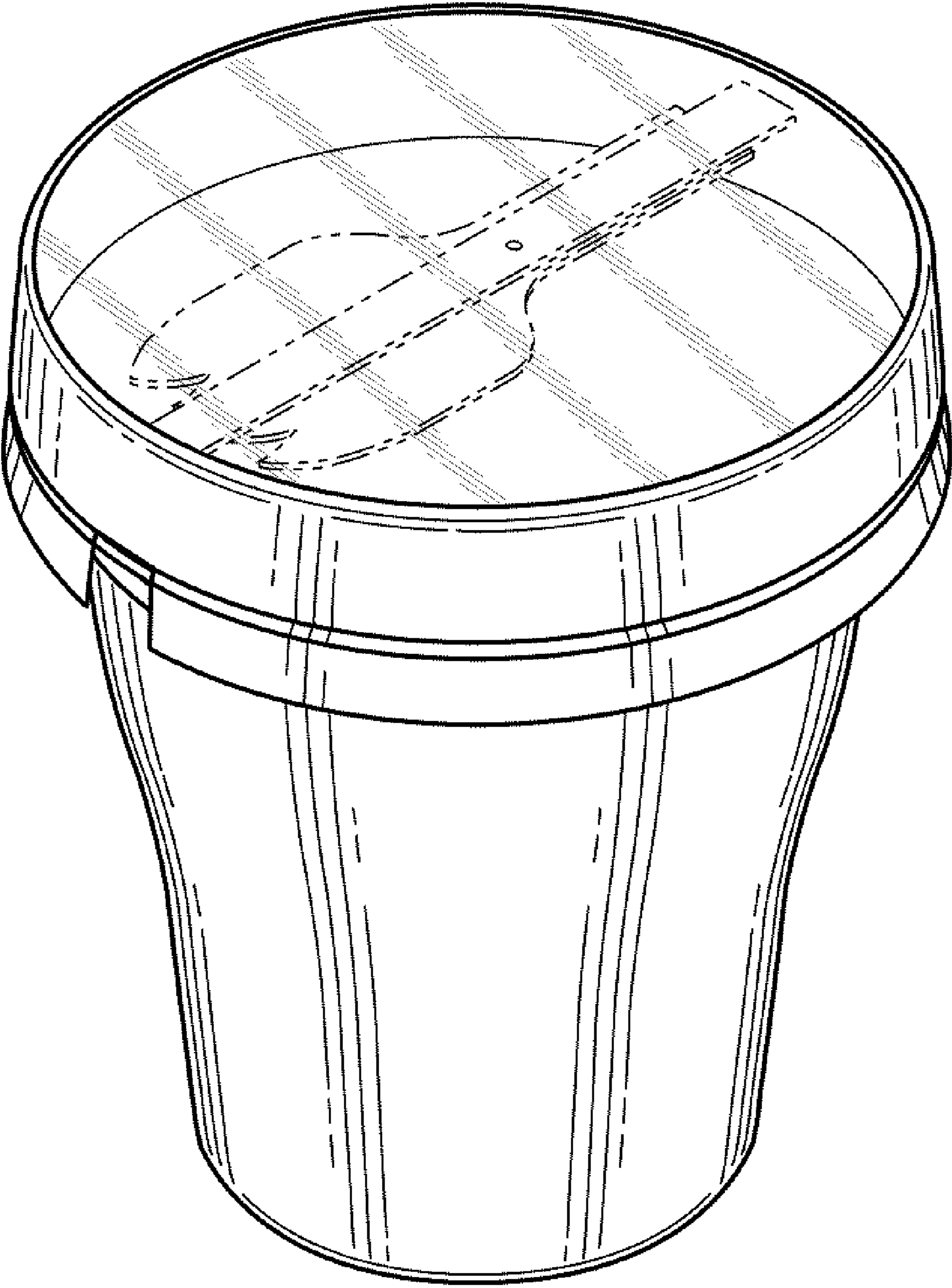


FIG. 1

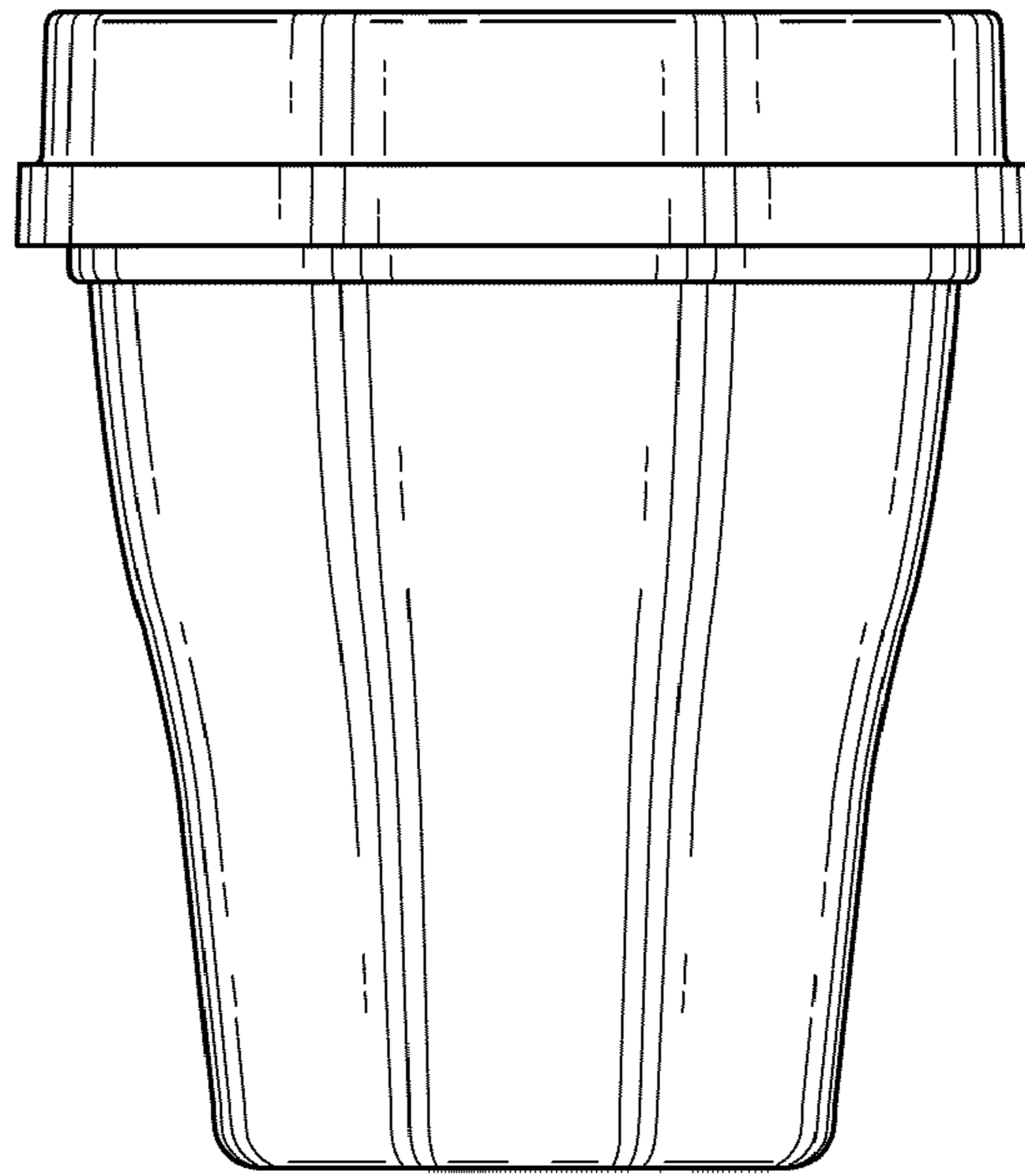


FIG. 2

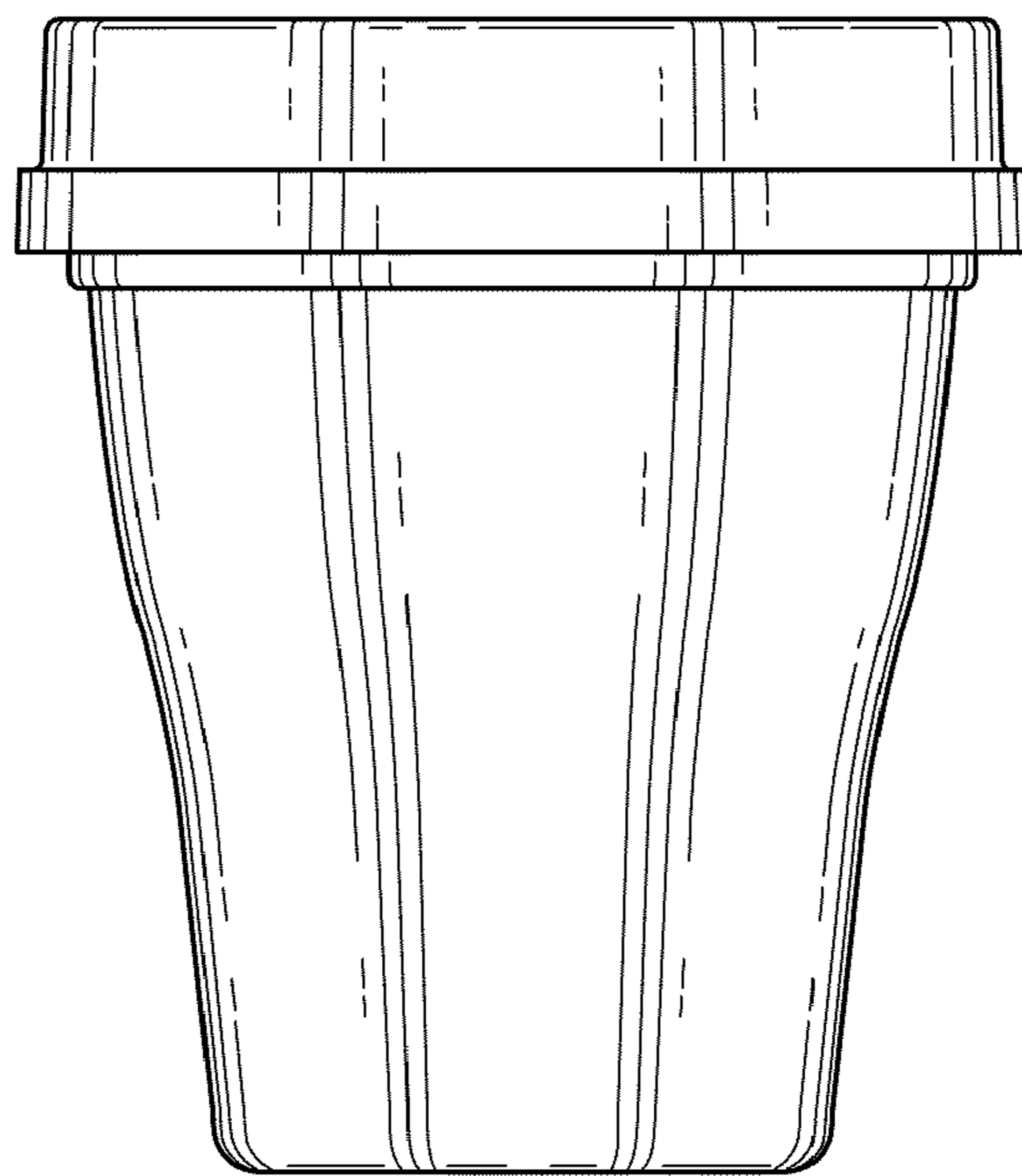


FIG. 3

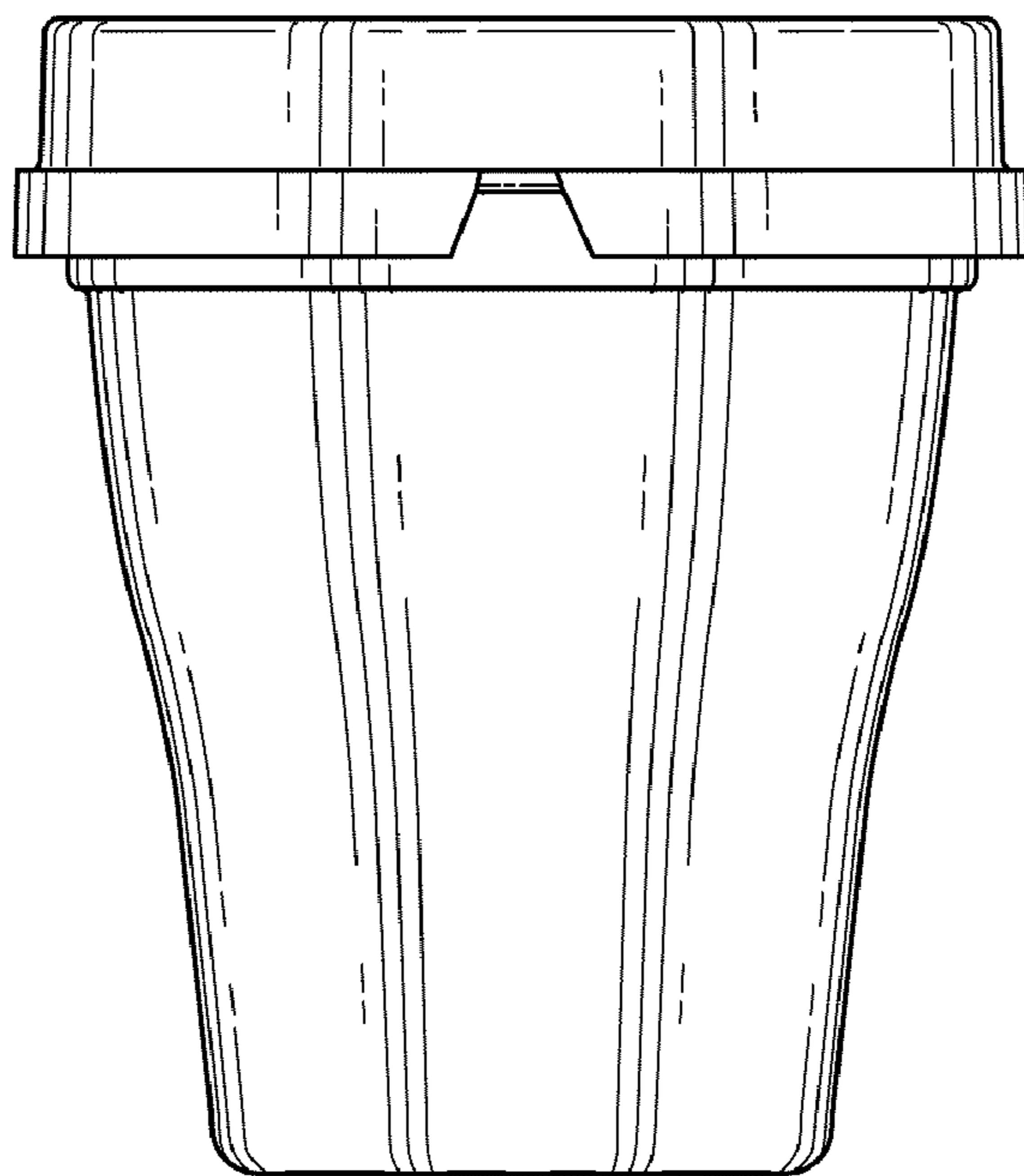


FIG. 4

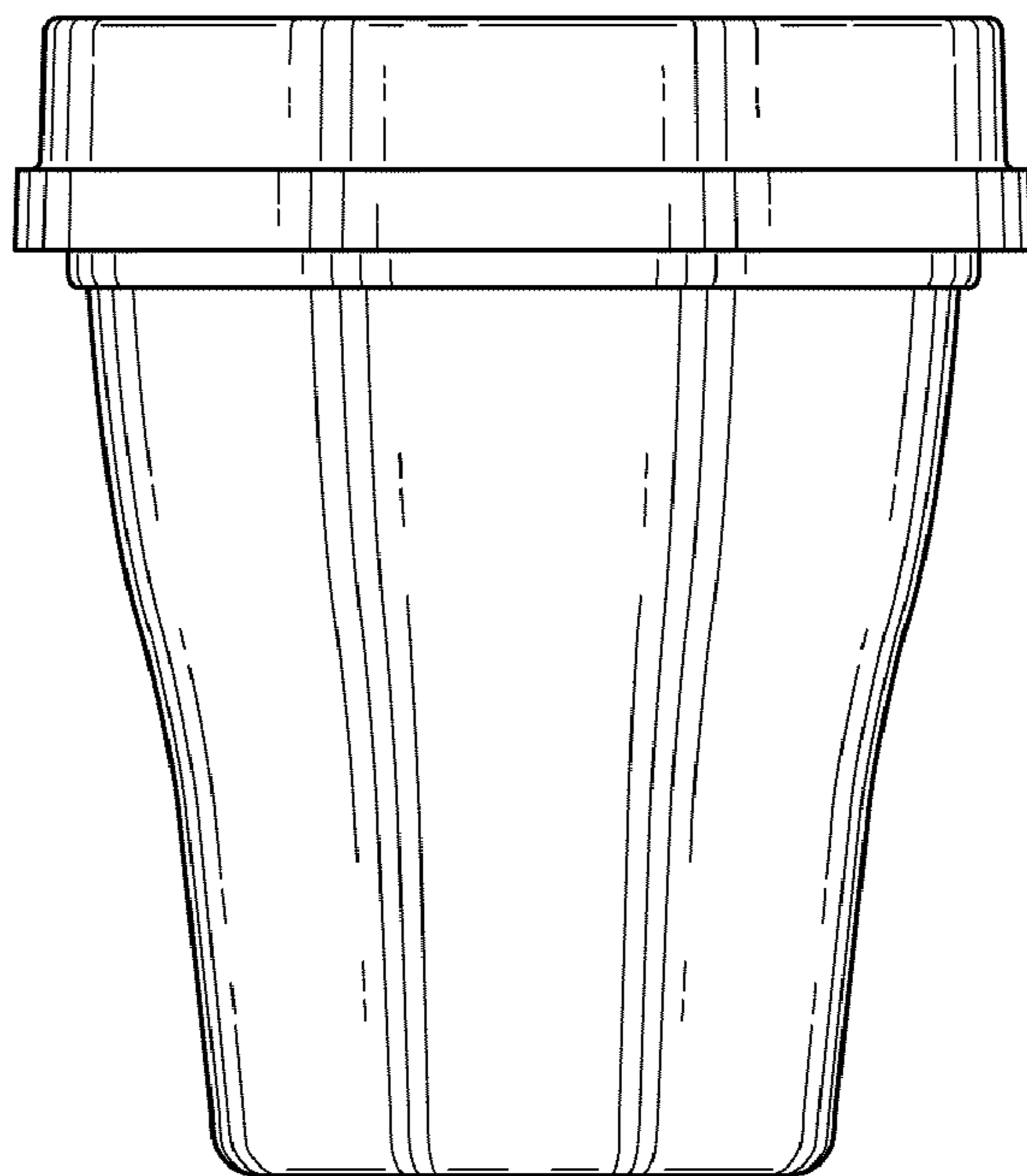


FIG. 5

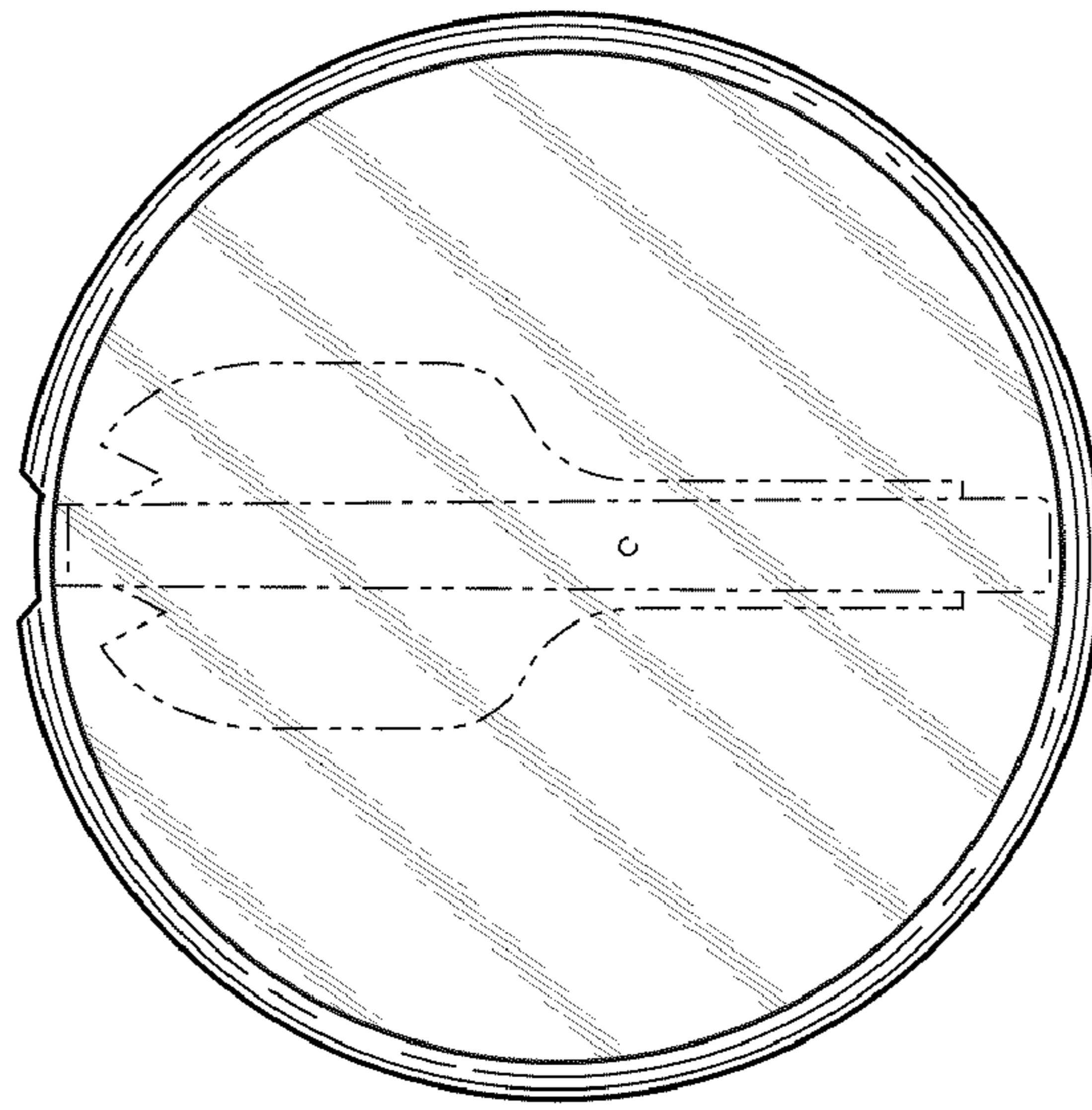


FIG. 6

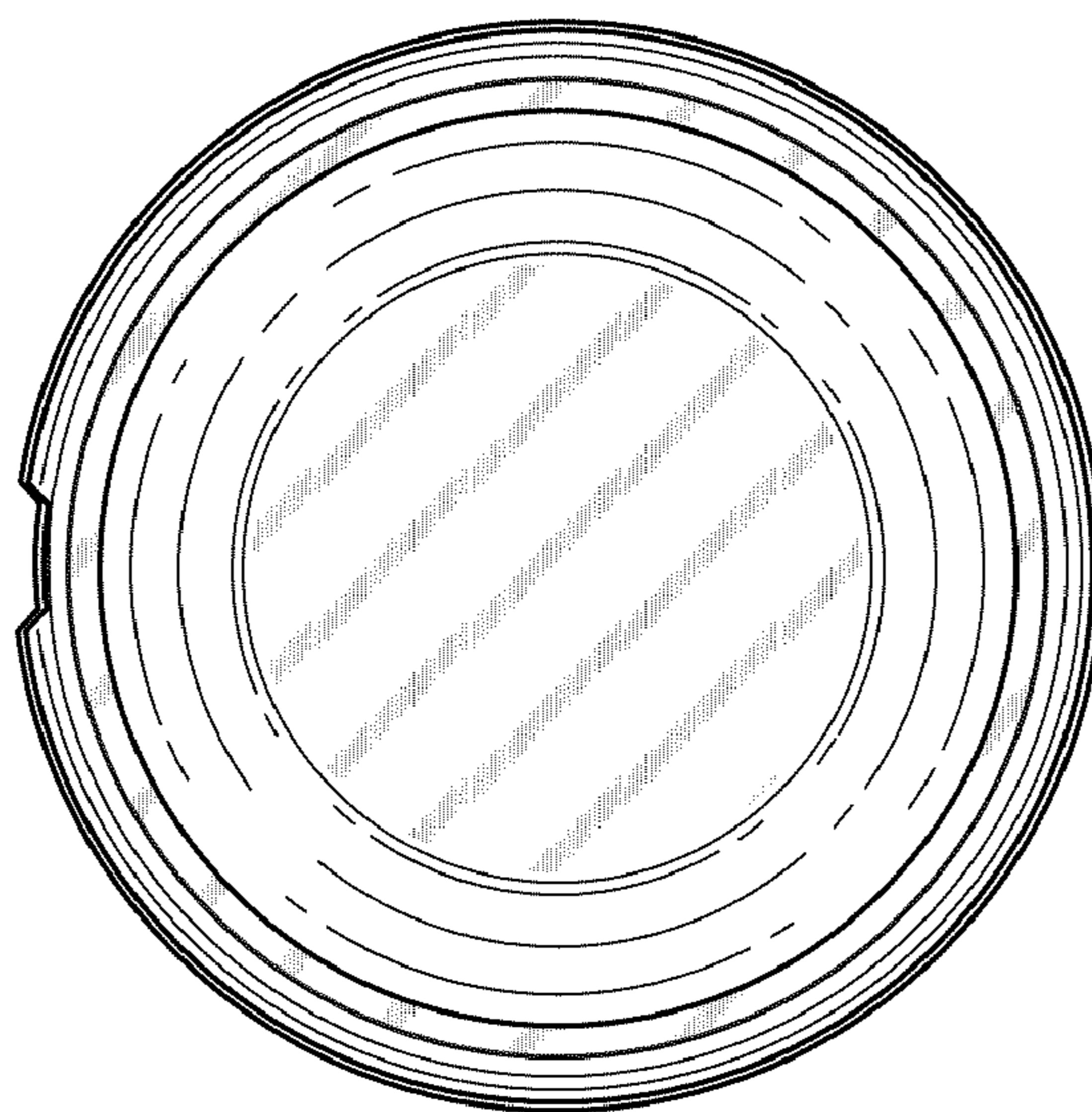
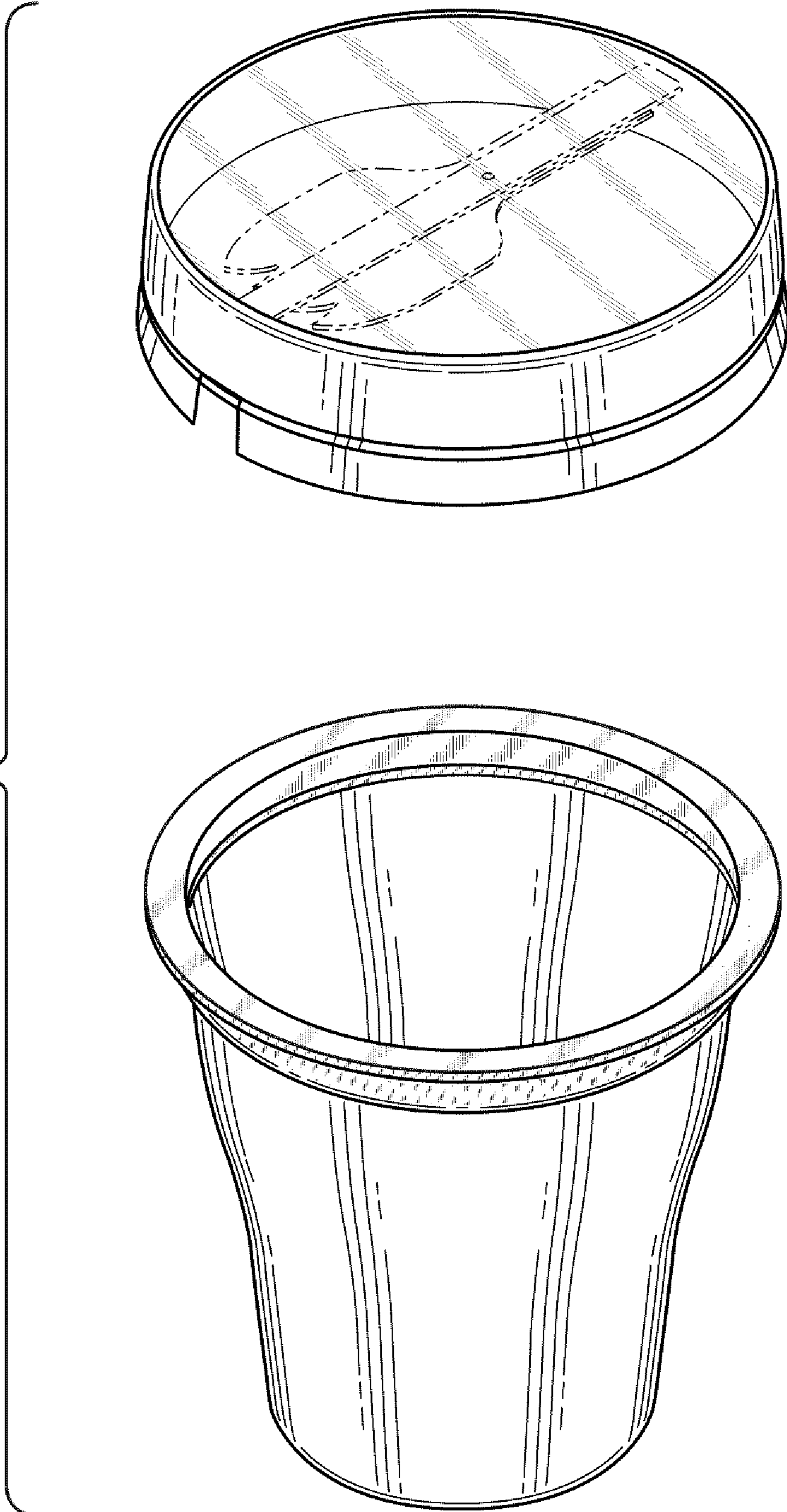


FIG. 7

FIG. 8



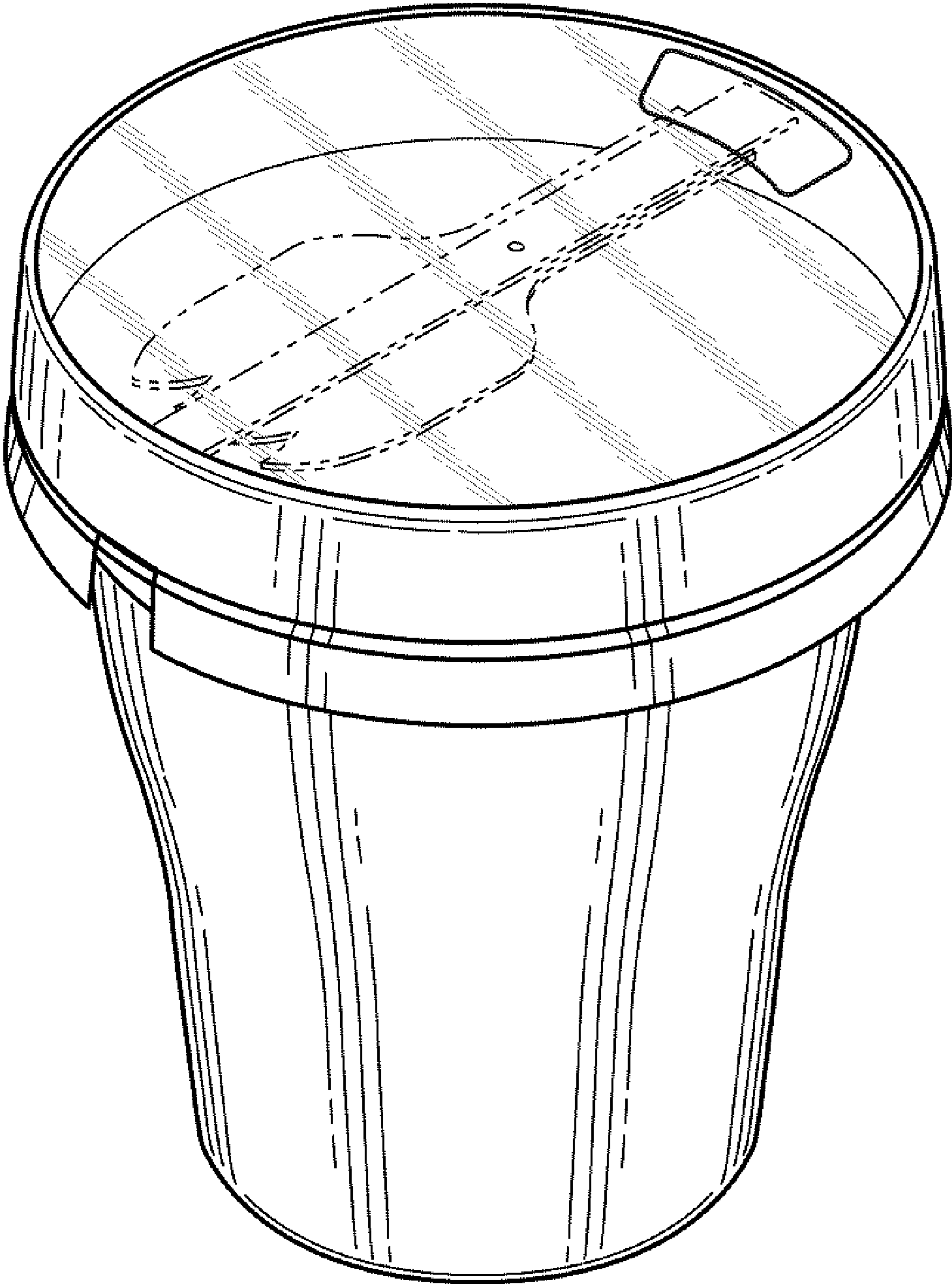


FIG. 9

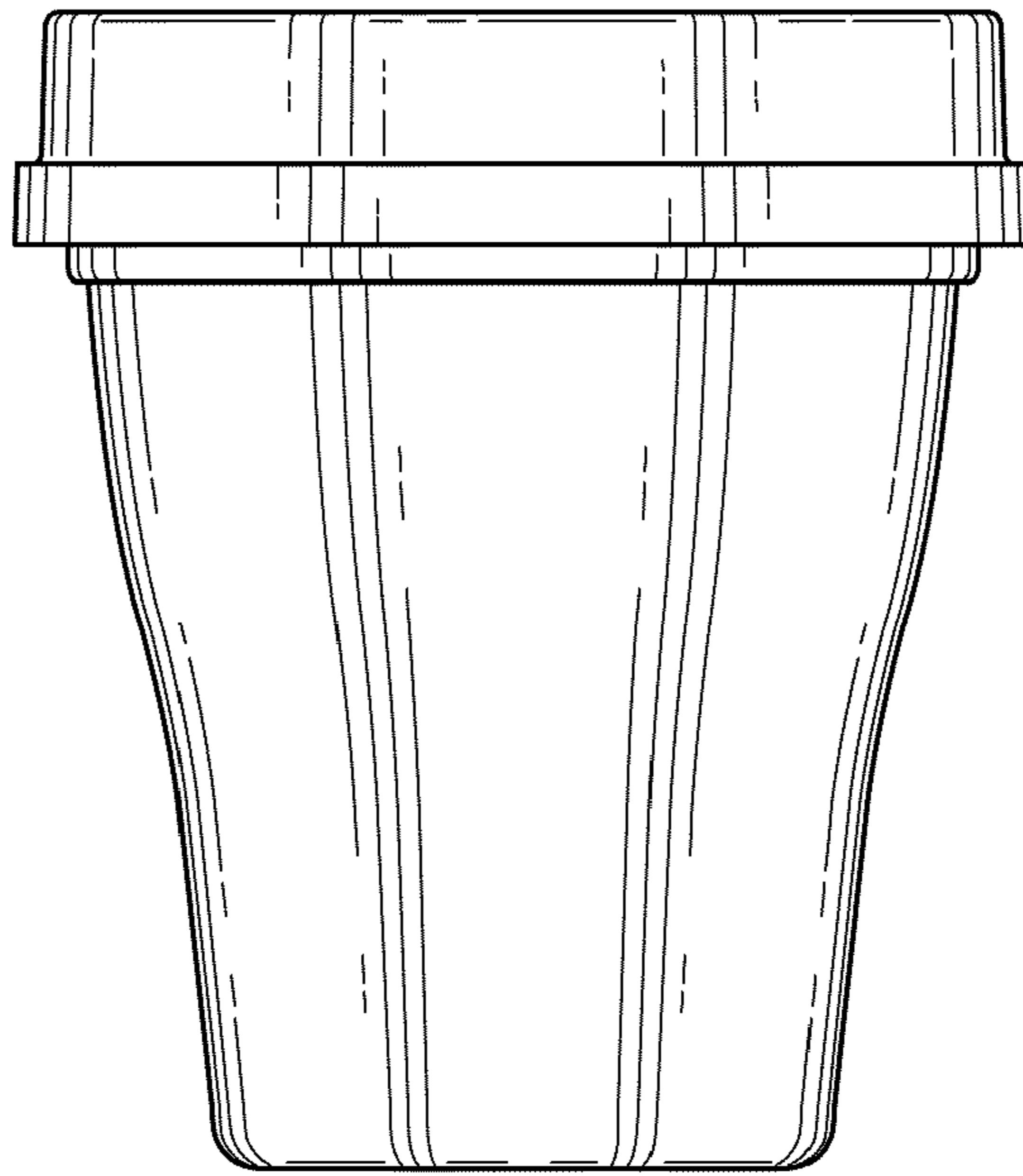


FIG. 10

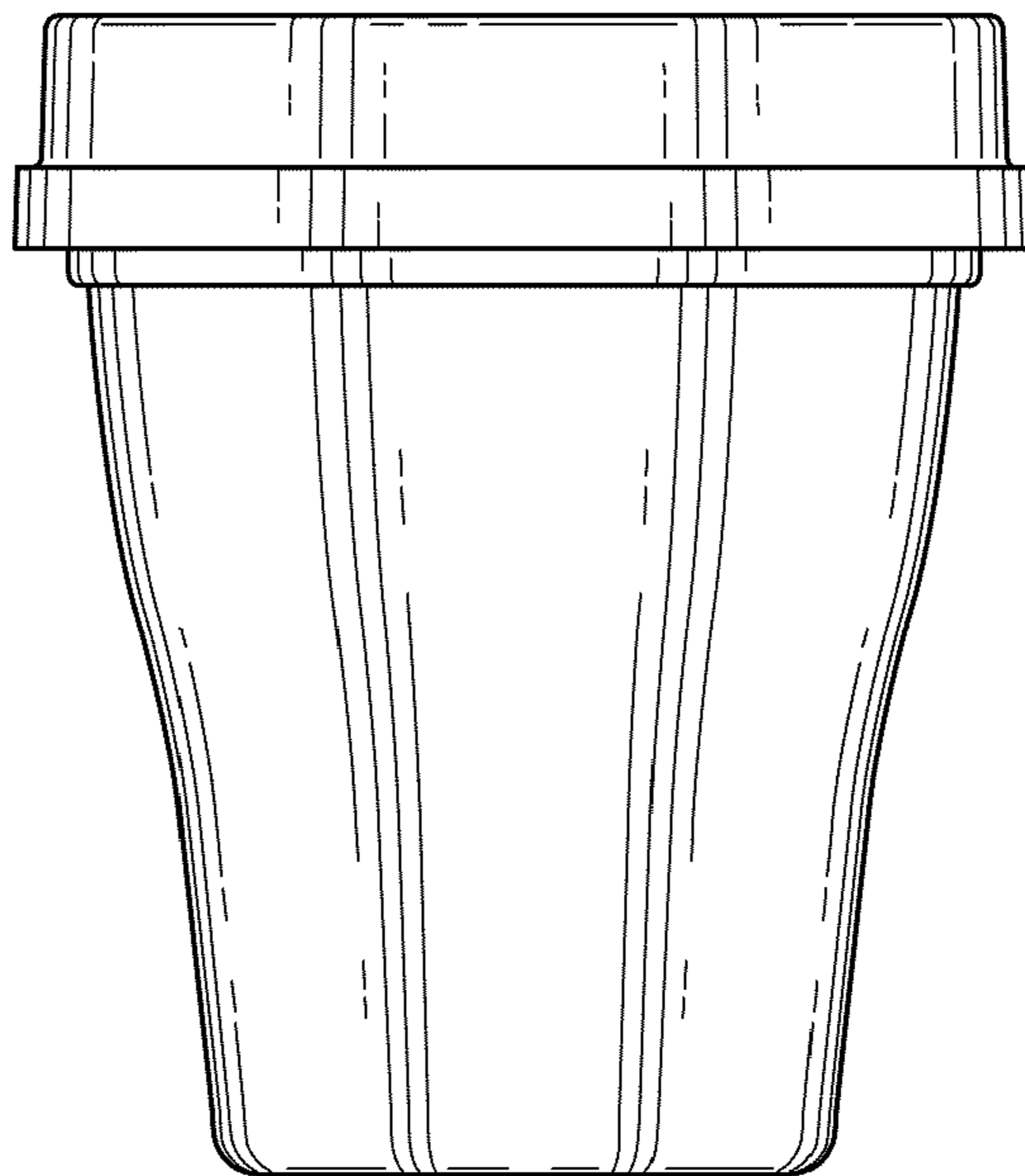


FIG. 11

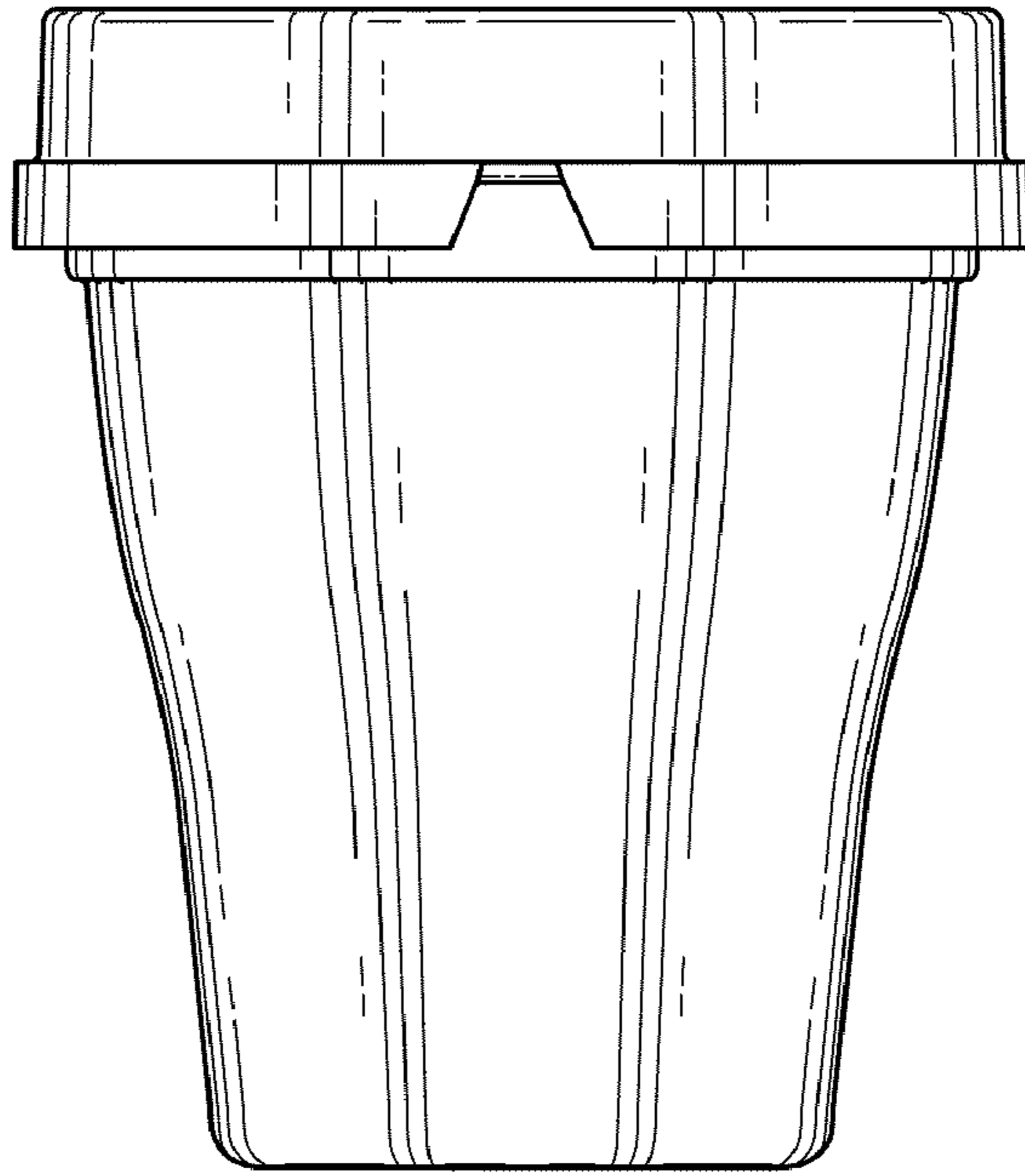


FIG. 12

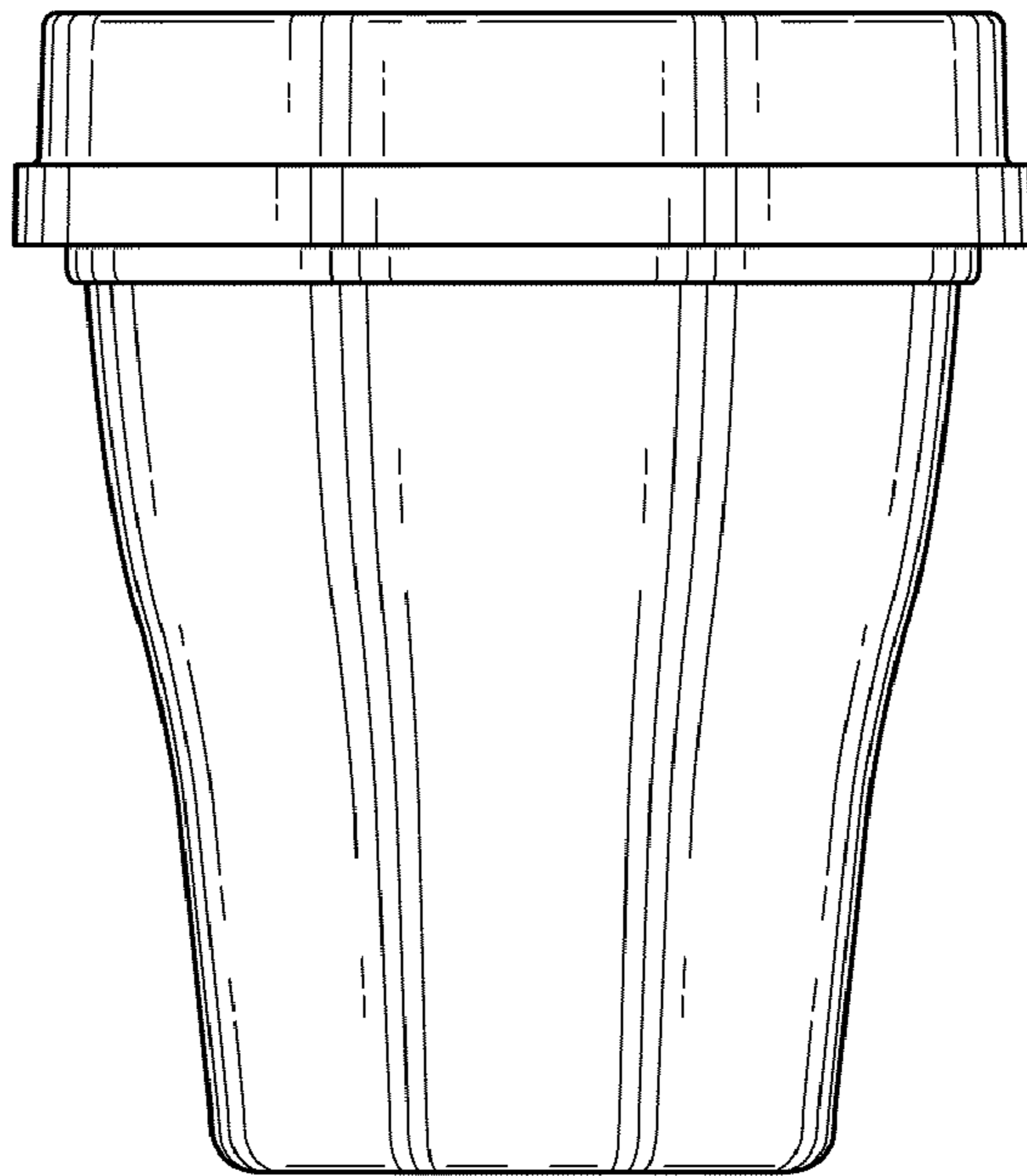


FIG. 13

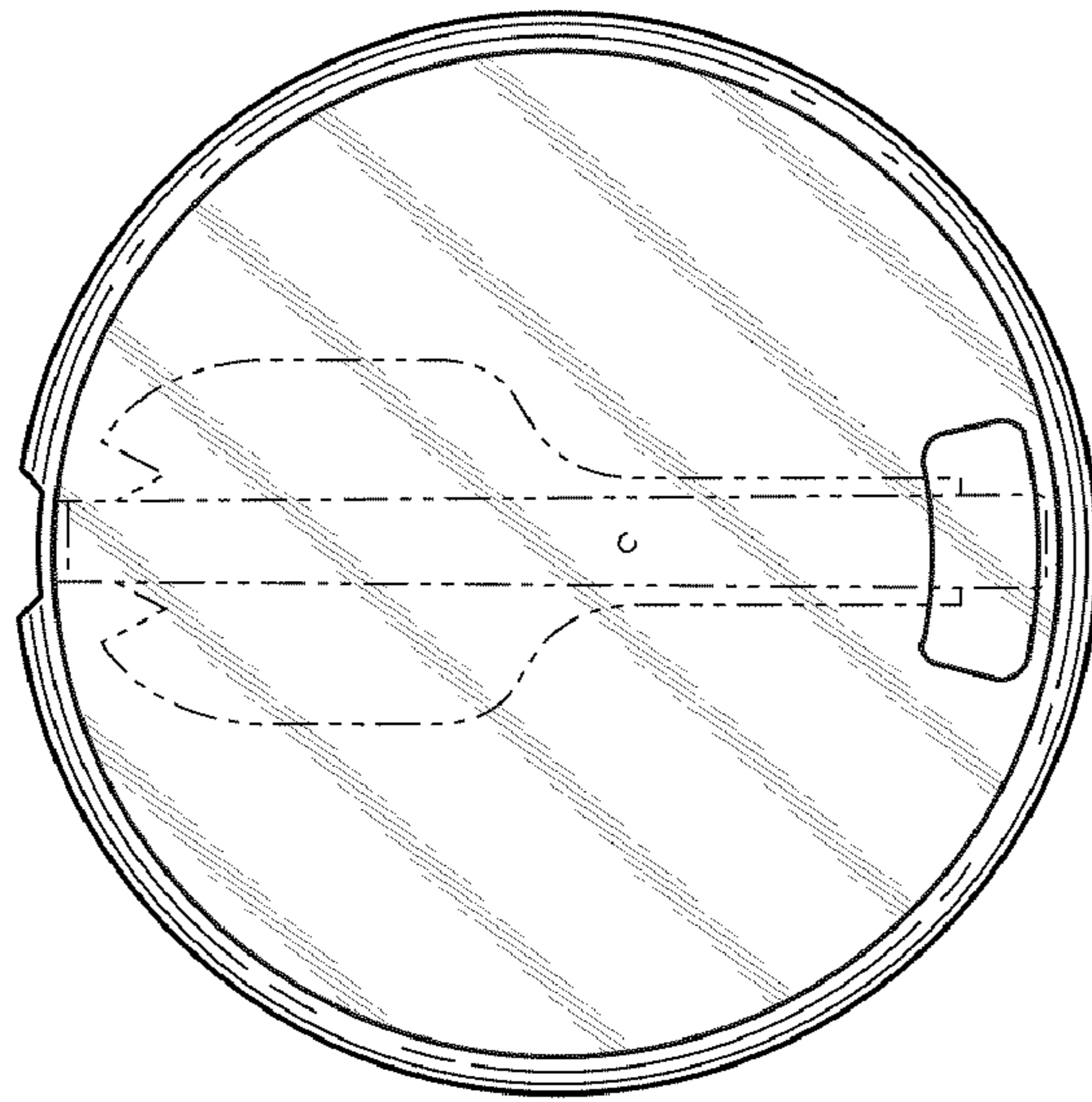


FIG. 14

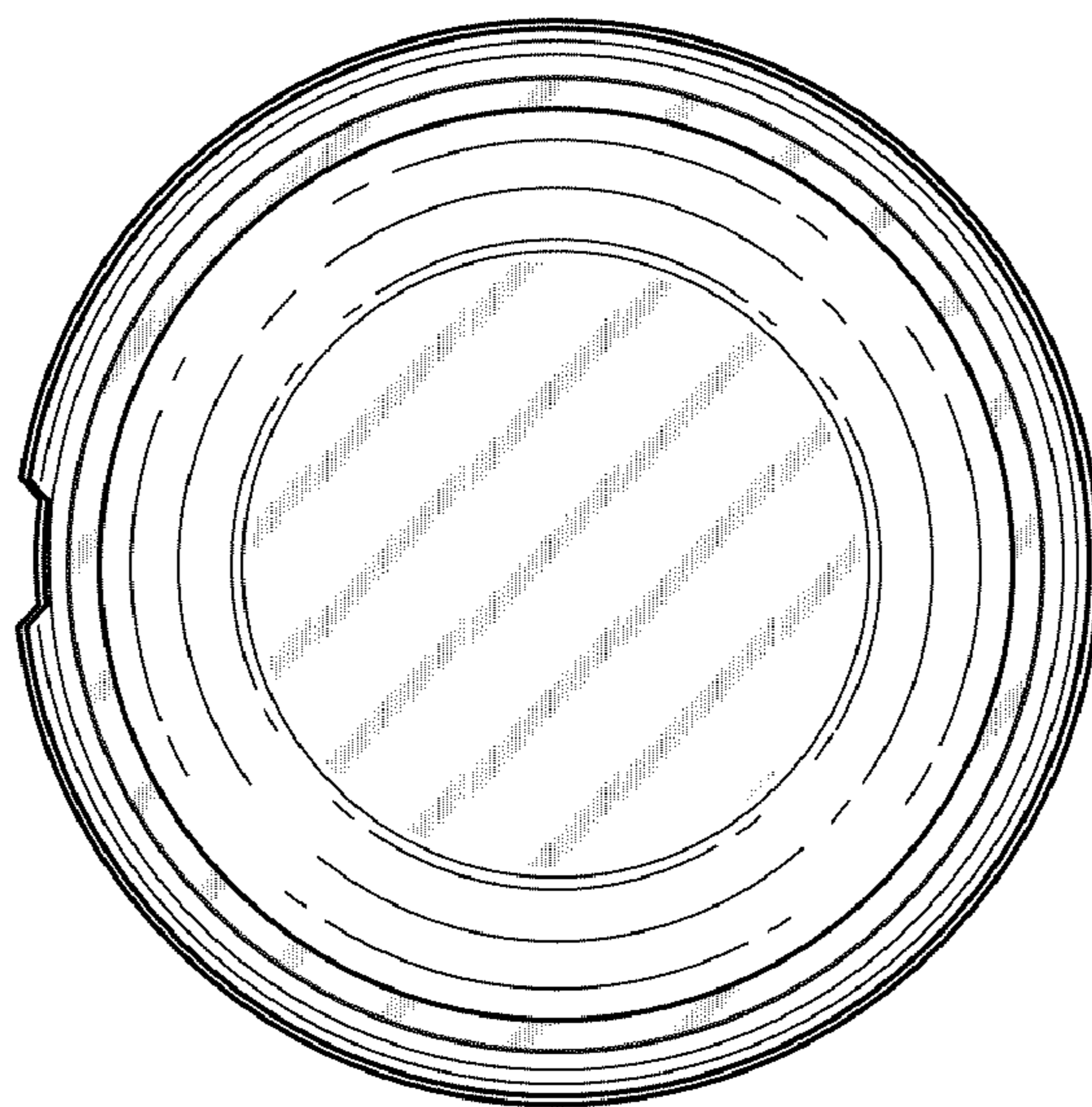


FIG. 15

FIG. 16

