



US00D610873S

(12) **United States Design Patent**
Wingfield et al.

(10) **Patent No.:** **US D610,873 S**
(45) **Date of Patent:** **** Mar. 2, 2010**

(54) **CONTAINER**

(75) Inventors: **Toby Wingfield**, Mansfield, TX (US);
Sarah Brown, Liberty Township, OH (US)
(73) Assignee: **Fresh Express Incorporated**, Salinas, CA (US)
(**) Term: **14 Years**
(21) Appl. No.: **29/346,156**
(22) Filed: **Oct. 27, 2009**

Related U.S. Application Data

(63) Continuation of application No. 29/327,052, filed on Oct. 29, 2008, now Pat. No. Des. 605,469.

(51) **LOC (9) Cl.** **07-01**

(52) **U.S. Cl.** **D7/523; D7/505**

(58) **Field of Classification Search** D7/505, D7/553.7, 552.2, 553.8, 528, 555, 551.1, D7/566, 541, 585, 571, 316, 356, 409, 667, D7/500, 538, 543, 549, 554.3, 553.5, 553.3, D7/553.2, 553.1, 550, 558, 614, 703, 629, D7/357, 550.1, 523, 509; 229/406, 904, 229/5.83, 558, 557; 220/23.86, 23.4, 359.4, 220/556, 575, 23.8, 500, 4.24, 526, 523, 220/645, 553, 377, 281; 206/583, 532, 562, 206/538, 575, 574, 23.86, 563, 564, 217, 206/815; D9/741, 739, 737, 759, 761, 424-426, D9/666, 500; D3/315; D28/61; 211/74; 294/172; 108/25; 99/341; D34/1; D11/152
See application file for complete search history.

(56) **References Cited**

U.S. PATENT DOCUMENTS

700,653	A *	5/1902	Jobson	215/227
786,522	A *	4/1905	Ford	173/24
1,607,865	A *	11/1926	Butler	206/542
1,710,878	A *	4/1929	Kelso	47/65.5
1,734,477	A *	11/1929	Fowle	229/401
2,840,292	A *	6/1958	Stoddard	229/401
3,128,029	A *	4/1964	Price et al.	229/400

3,854,583	A *	12/1974	Amberg et al.	206/520
3,955,742	A *	5/1976	Marshall et al.	220/574
4,036,398	A *	7/1977	Hoogvelt et al.	220/270
4,794,008	A *	12/1988	Schmidt et al.	426/234
5,251,774	A *	10/1993	Engle	220/212
5,385,255	A *	1/1995	Varano et al.	229/404
5,695,084	A *	12/1997	Chmela et al.	220/212
6,003,710	A *	12/1999	Huang	220/212
D426,160	S *	6/2000	Lindsay et al.	D9/500
D429,150	S *	8/2000	Lindsay et al.	D9/425
D439,517	S *	3/2001	Lindsay et al.	D9/500
6,371,324	B1 *	4/2002	Torniainen et al.	220/212
D458,807	S *	6/2002	Trazzi	D7/532
D461,432	S *	8/2002	Carlson	D11/153
D528,432	S *	9/2006	Snedden et al.	D9/716
D547,124	S *	7/2007	Peretz	D7/538
D559,493	S *	1/2008	Dretzka	D34/1
D568,156	S *	5/2008	Wilson et al.	D9/500
D572,133	S *	7/2008	Wilson et al.	D9/500
D577,288	S *	9/2008	Wilson et al.	D9/500

* cited by examiner

Primary Examiner—Robert M Spear
Assistant Examiner—Cynthia Underwood
(74) *Attorney, Agent, or Firm*—Townsend and Townsend and Crew LLP

(57) **CLAIM**

The ornamental design for a container, as shown and described.

DESCRIPTION

FIG. 1 is a perspective view of a container showing our new design;

FIG. 2 is a left side elevational view thereof;

FIG. 3 is a right side elevational view thereof;

FIG. 4 is a front elevational view thereof;

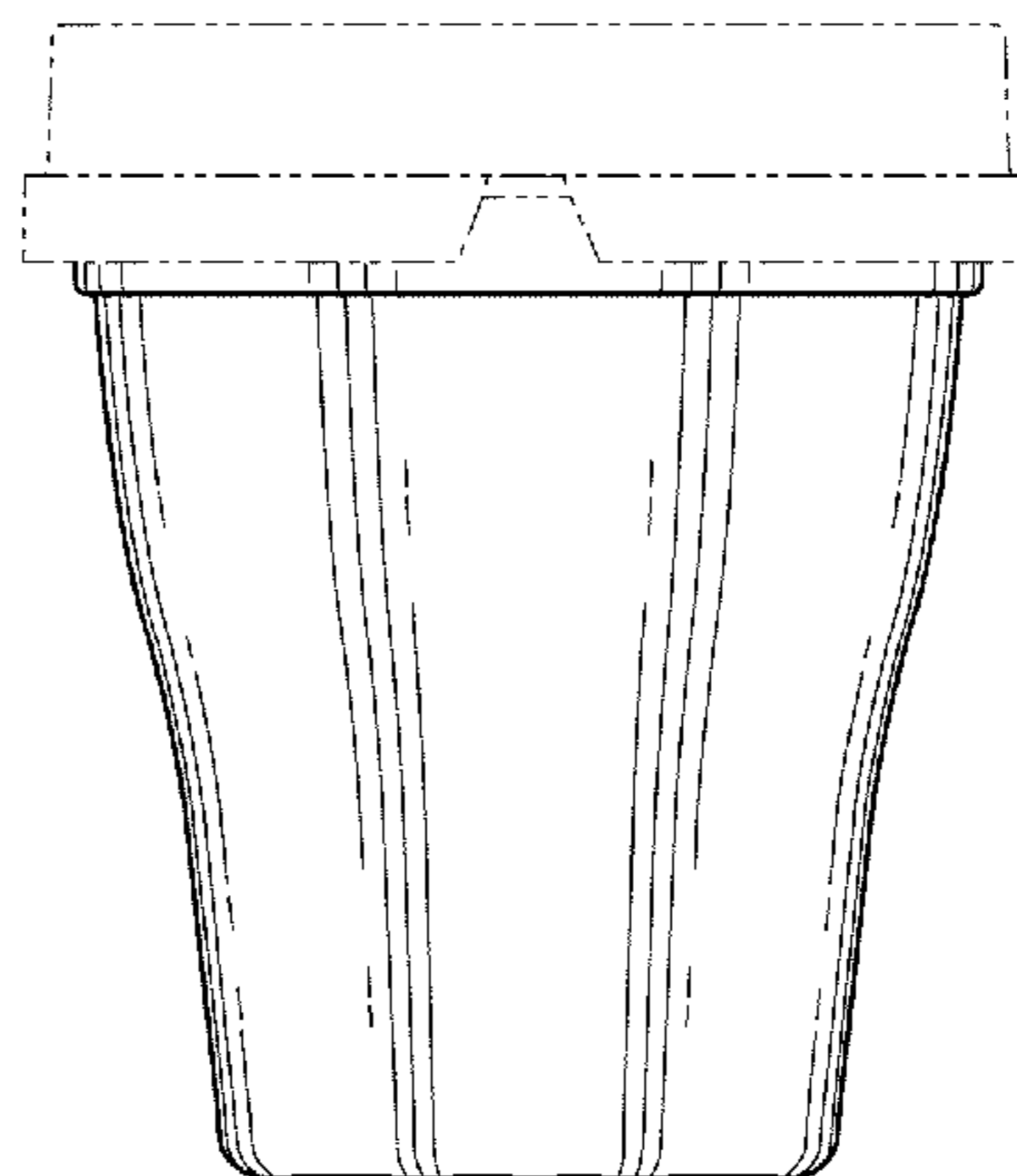
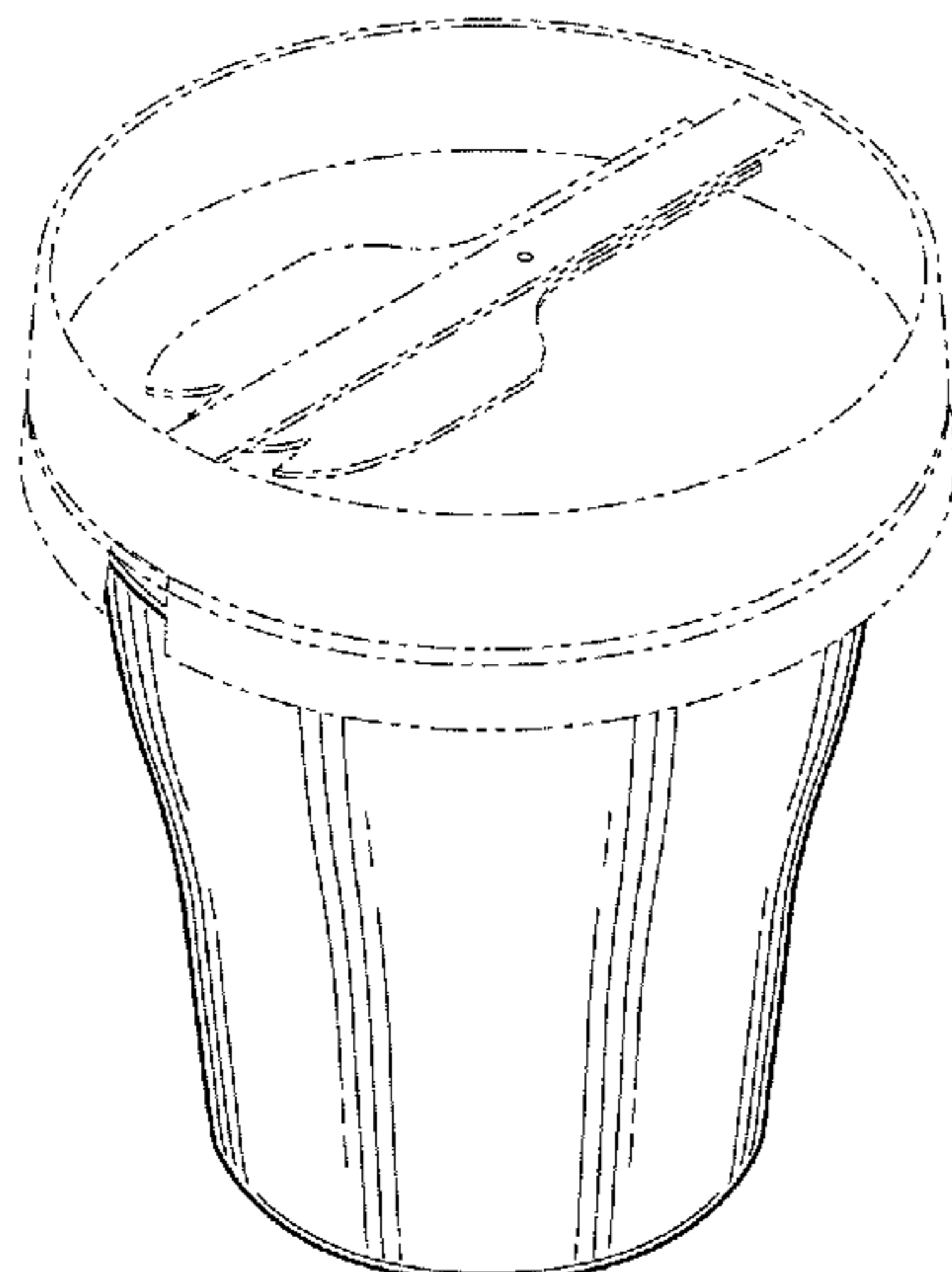
FIG. 5 is a rear elevational view thereof;

FIG. 6 is a top plan view thereof; and,

FIG. 7 is a bottom plan view thereof.

The broken lines shown in the drawings are for illustration purposes and form no part of the claimed design.

1 Claim, 4 Drawing Sheets



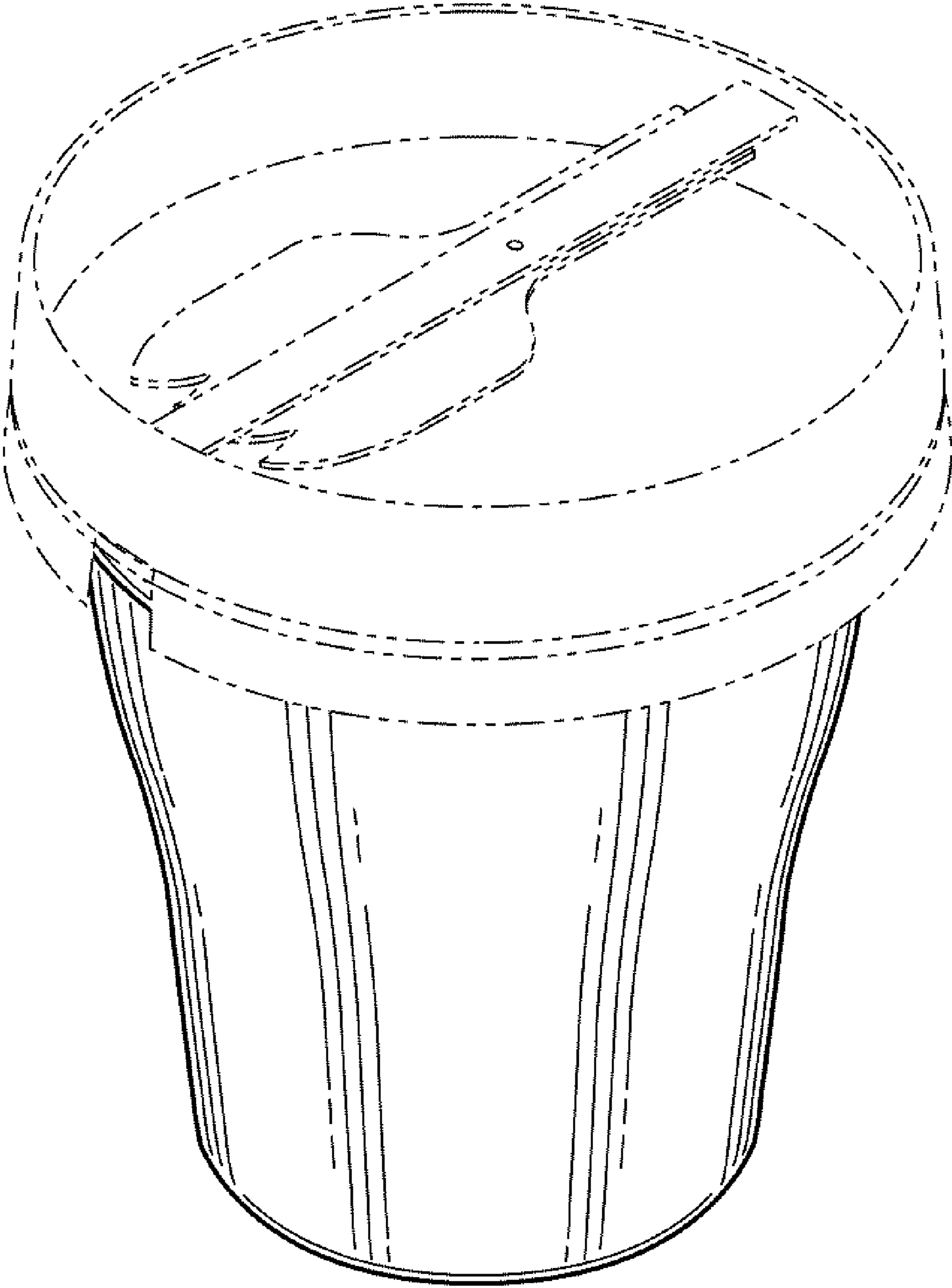


FIG. 1

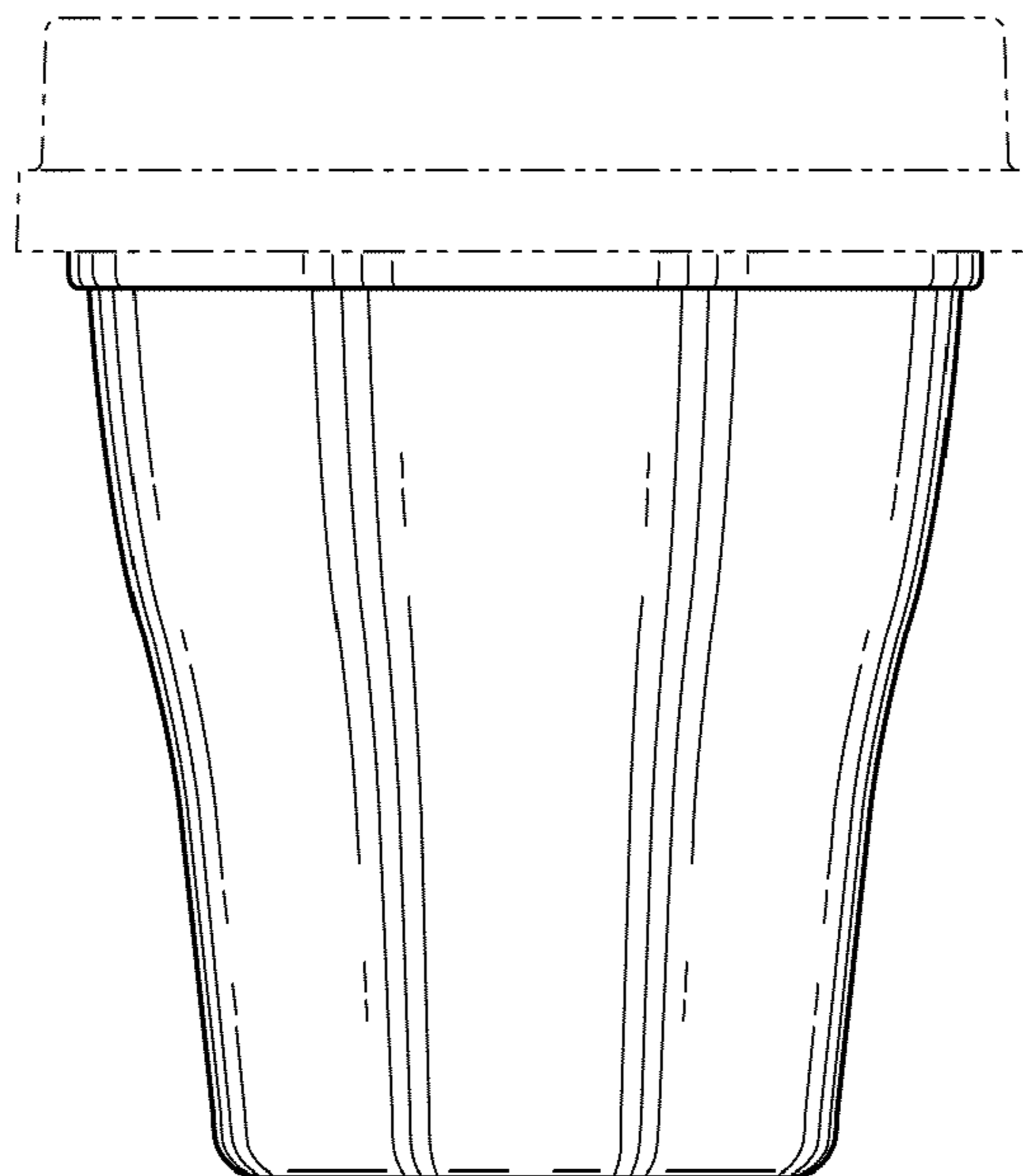


FIG. 2

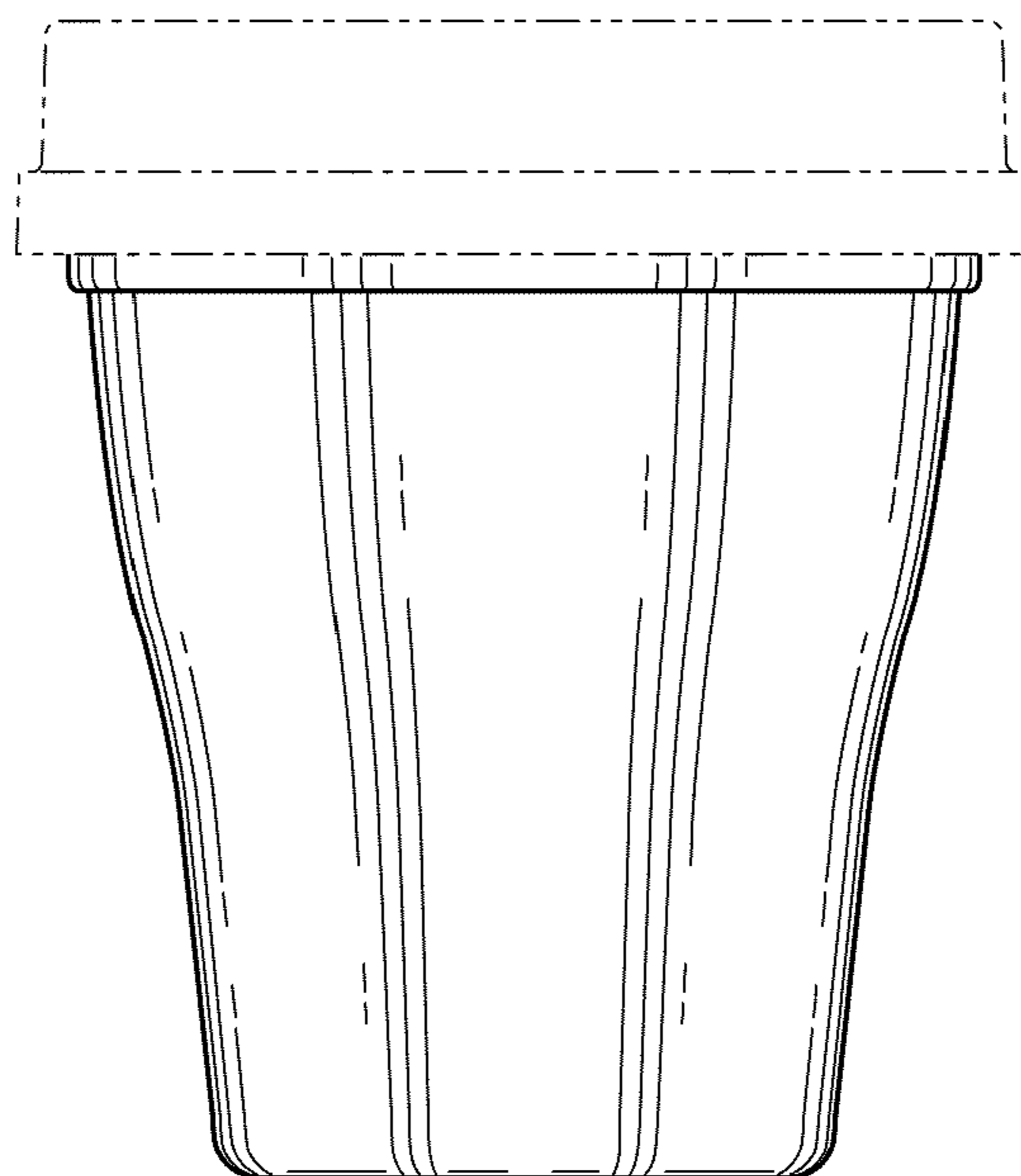


FIG. 3

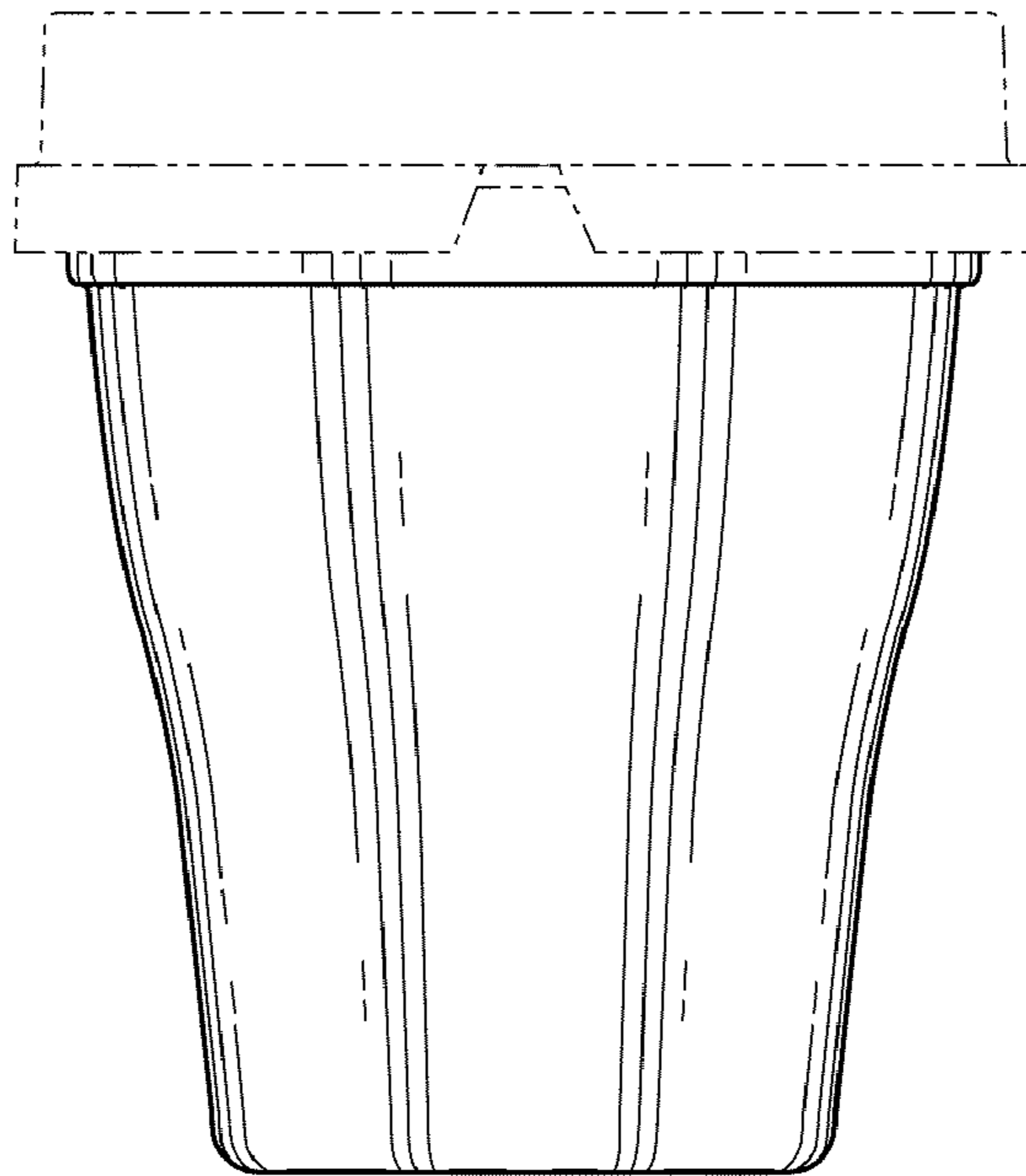


FIG. 4

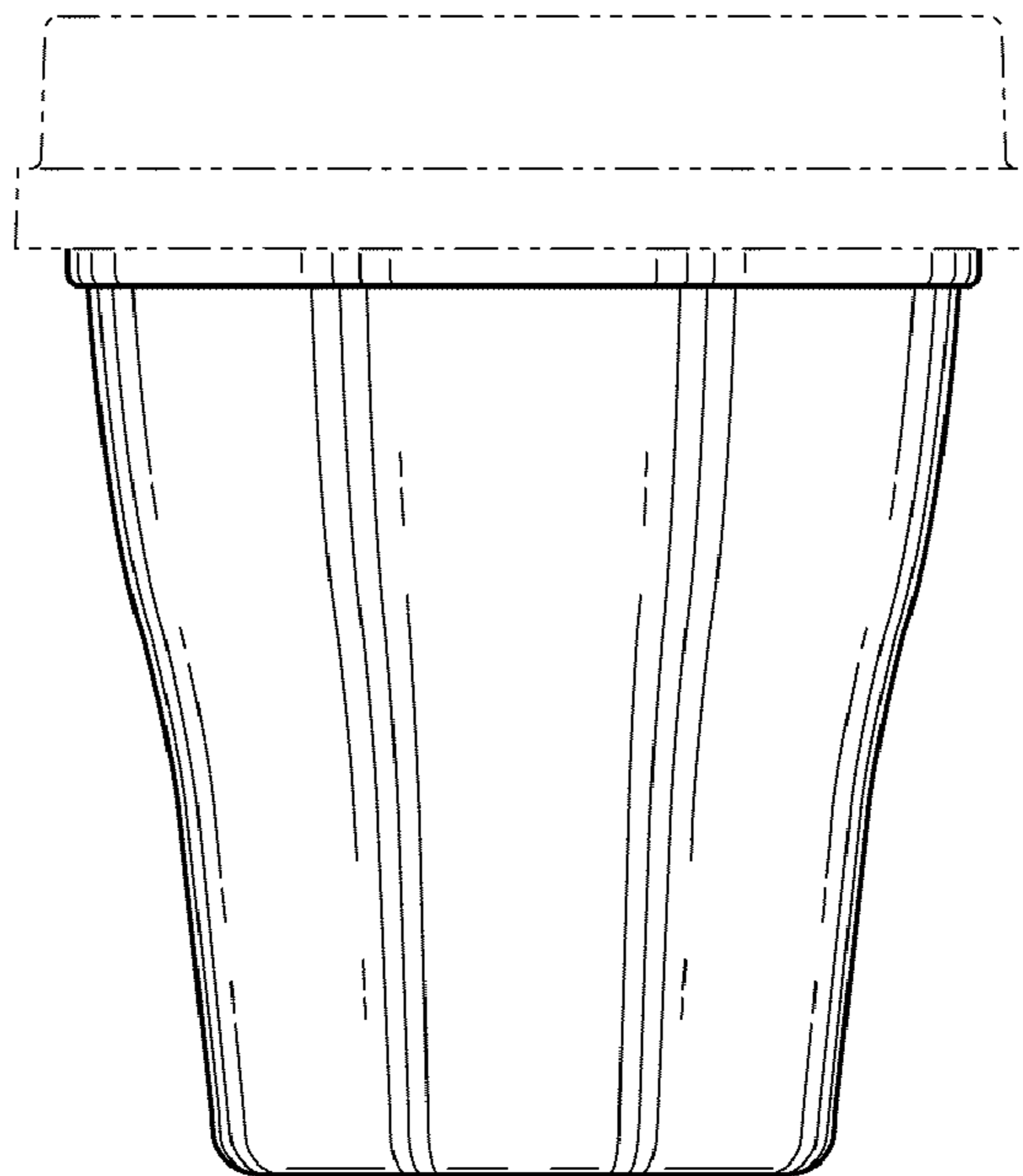


FIG. 5

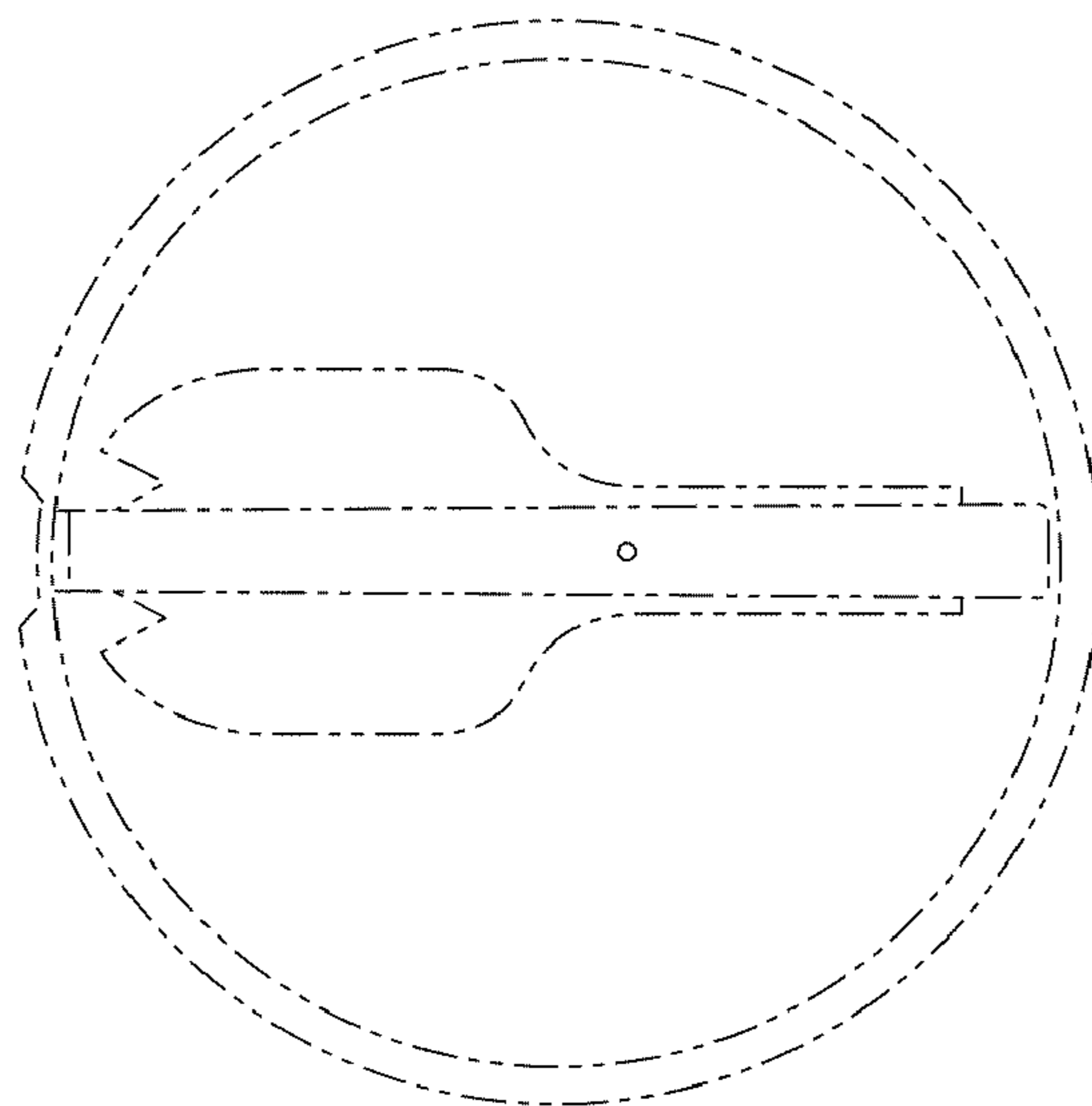


FIG. 6

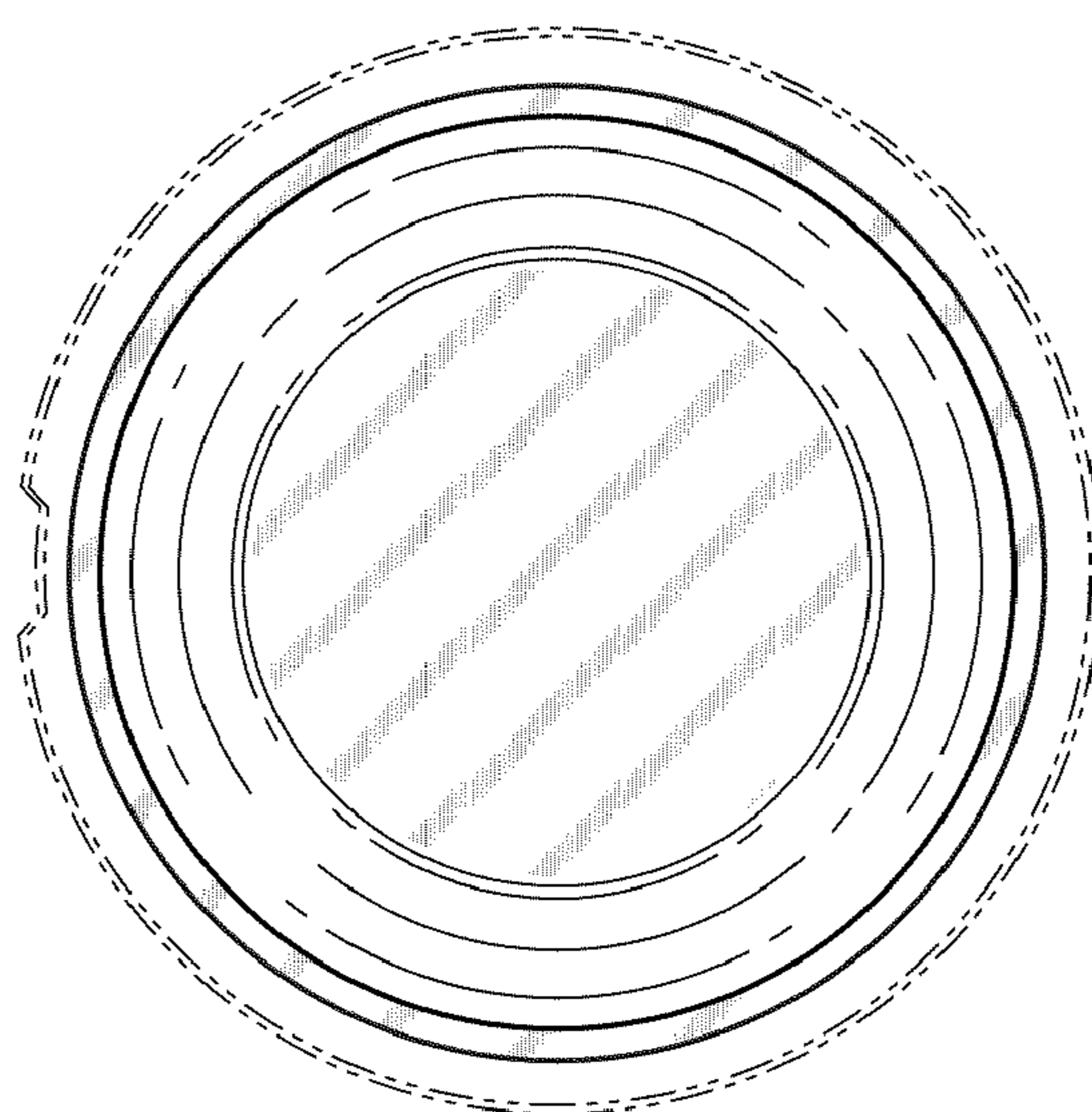


FIG. 7