



US00D610870S

(12) **United States Design Patent**  
**Westers**

(10) **Patent No.:** **US D610,870 S**

(45) **Date of Patent:** **\*\* Mar. 2, 2010**

(54) **BURNER**

(75) Inventor: **Raymond Westers**, Nieuwe Pekela (NL)

(73) Assignee: **Bekaert Combustion Technology B.V.**,  
Assen (NL)

(\*\*) Term: **14 Years**

(21) Appl. No.: **29/347,036**

(22) Filed: **Aug. 31, 2009**

(30) **Foreign Application Priority Data**

Mar. 9, 2009 (WO) ..... 486823501

(51) **LOC (9) Cl.** ..... **07-02**

(52) **U.S. Cl.** ..... **D7/407**

(58) **Field of Classification Search** ..... D7/332,  
D7/334-337, 402-405, 407, 392.1; 126/25 R,  
126/39 C, 41 R, 25 A, 29-30, 25 AA, 9 R,  
126/37-38, 40, 39 E, 39 H; 99/481-482;  
137/883, 875; 431/343

See application file for complete search history.

(56) **References Cited**

**U.S. PATENT DOCUMENTS**

D102,760 S *	1/1937	Harrison	.....	D7/407
D191,085 S *	8/1961	Heller	.....	D7/407
3,289,731 A *	12/1966	Geber	.....	126/39 R
D228,766 S *	10/1973	Melan	.....	D7/407
D236,418 S *	8/1975	Basil	.....	D7/407
D243,502 S *	3/1977	Chan	.....	D7/407
D244,985 S *	7/1977	Folke	.....	D7/337
D245,828 S *	9/1977	Monnet	.....	D7/407
D275,927 S *	10/1984	Chan	.....	D7/407
4,846,671 A *	7/1989	Kwiatek	.....	431/266
5,468,145 A *	11/1995	Ferlin	.....	431/266

D369,517 S *	5/1996	Ferlin	.....	D7/407
D425,613 S *	5/2000	Good	.....	D23/415
D439,801 S *	4/2001	Measom	.....	D7/407
D480,261 S *	10/2003	Pottenger et al.	.....	D7/346
D540,461 S	4/2007	Folkers		
D564,296 S *	3/2008	Koch et al.	.....	D7/407
D565,895 S *	4/2008	Pryor et al.	.....	D7/407
D581,214 S *	11/2008	Rosa et al.	.....	D7/407
D581,736 S *	12/2008	Besseas	.....	D7/407

\* cited by examiner

*Primary Examiner*—T. Chase Nelson

*Assistant Examiner*—Mark Cavanna

(74) *Attorney, Agent, or Firm*—Shlesinger, Arkwright & Garvey LLP

(57) **CLAIM**

The ornamental design for a burner, as shown and described.

**DESCRIPTION**

FIG. 1 is a top perspective view of a burner showing my new design. The broken lines illustrating the surface treatment of the burner membrane form no part of the claimed design.

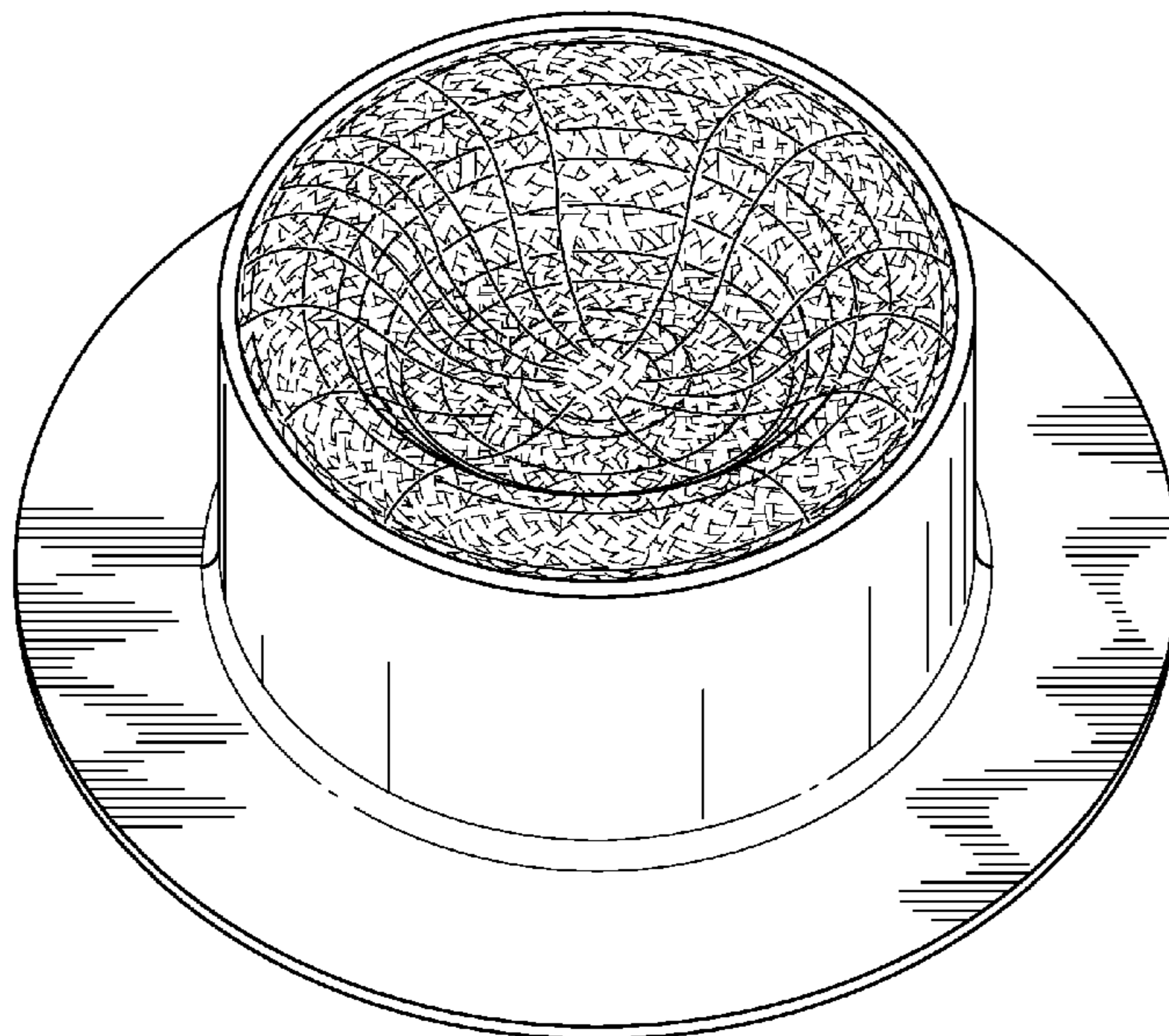
FIG. 2 is a front view of the burner shown in FIG. 1, with the unillustrated rear view being a mirror image thereof;

FIG. 3 is a top plan view of the burner shown in FIG. 1 with the broken lines illustrating the surface treatment of the burner membrane forming no part of the claimed design; and,

FIG. 4 is a bottom plan view of the burner shown in FIG. 1. The broken lines showing the central circular portion form no part of the claimed design.

The broken lines shown are included for the purpose of illustrating a portion of the burner that forms no part of the claimed design.

**1 Claim, 4 Drawing Sheets**



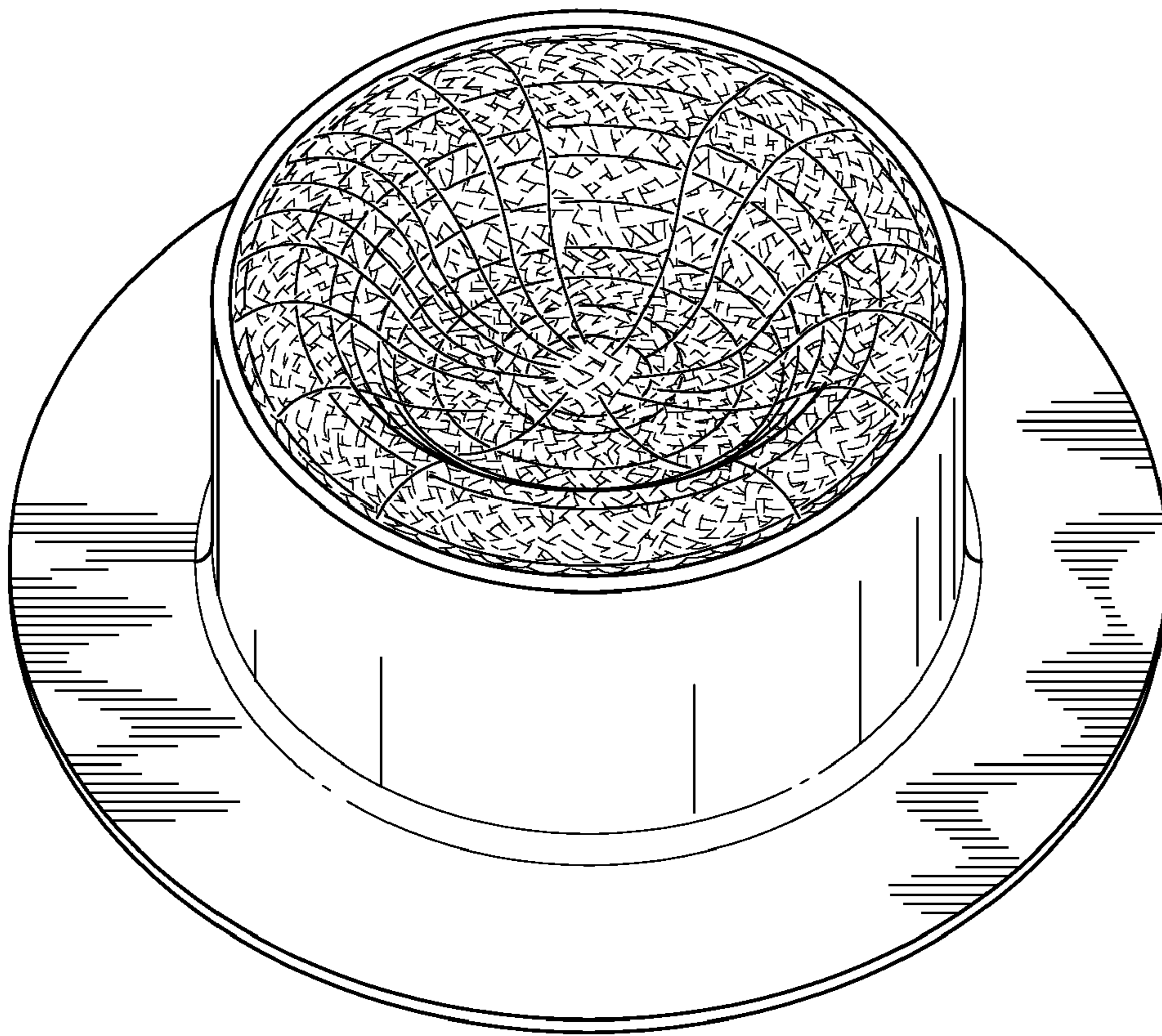


FIG. 1

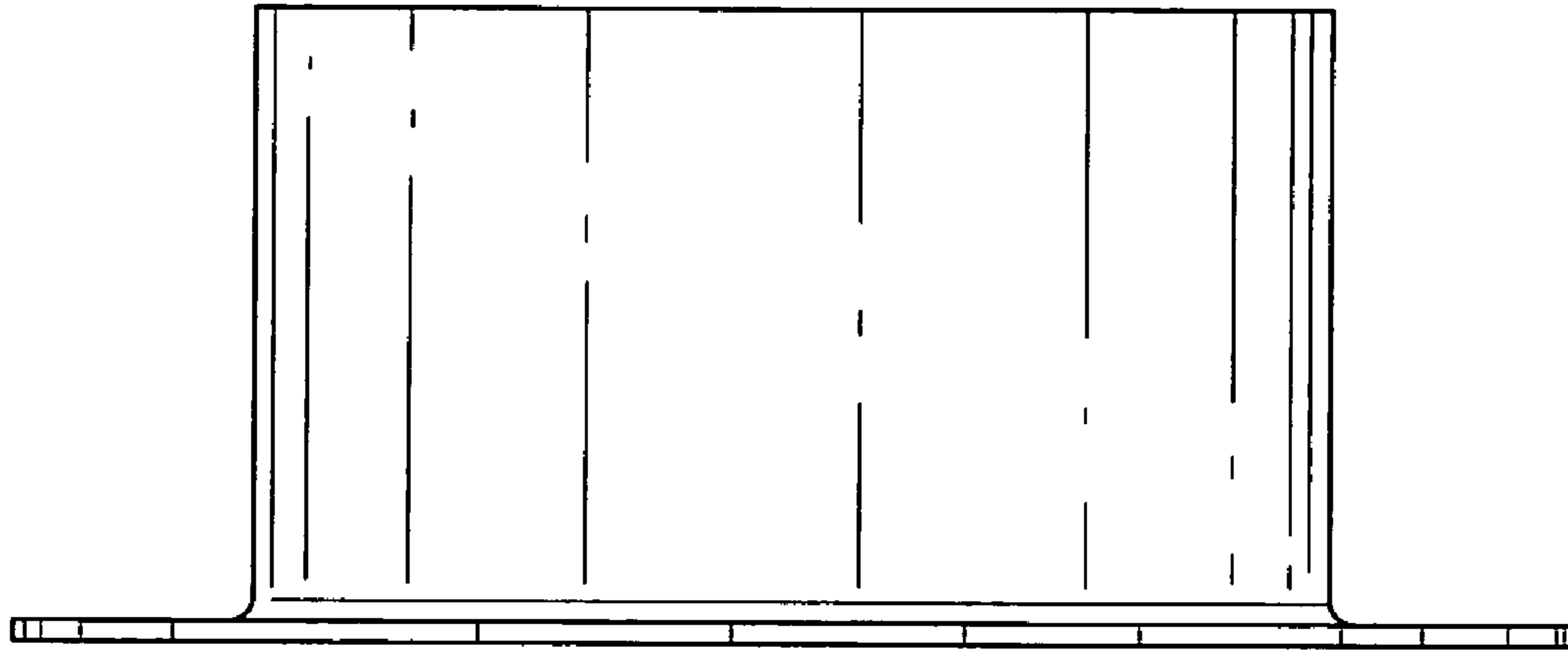


FIG. 2

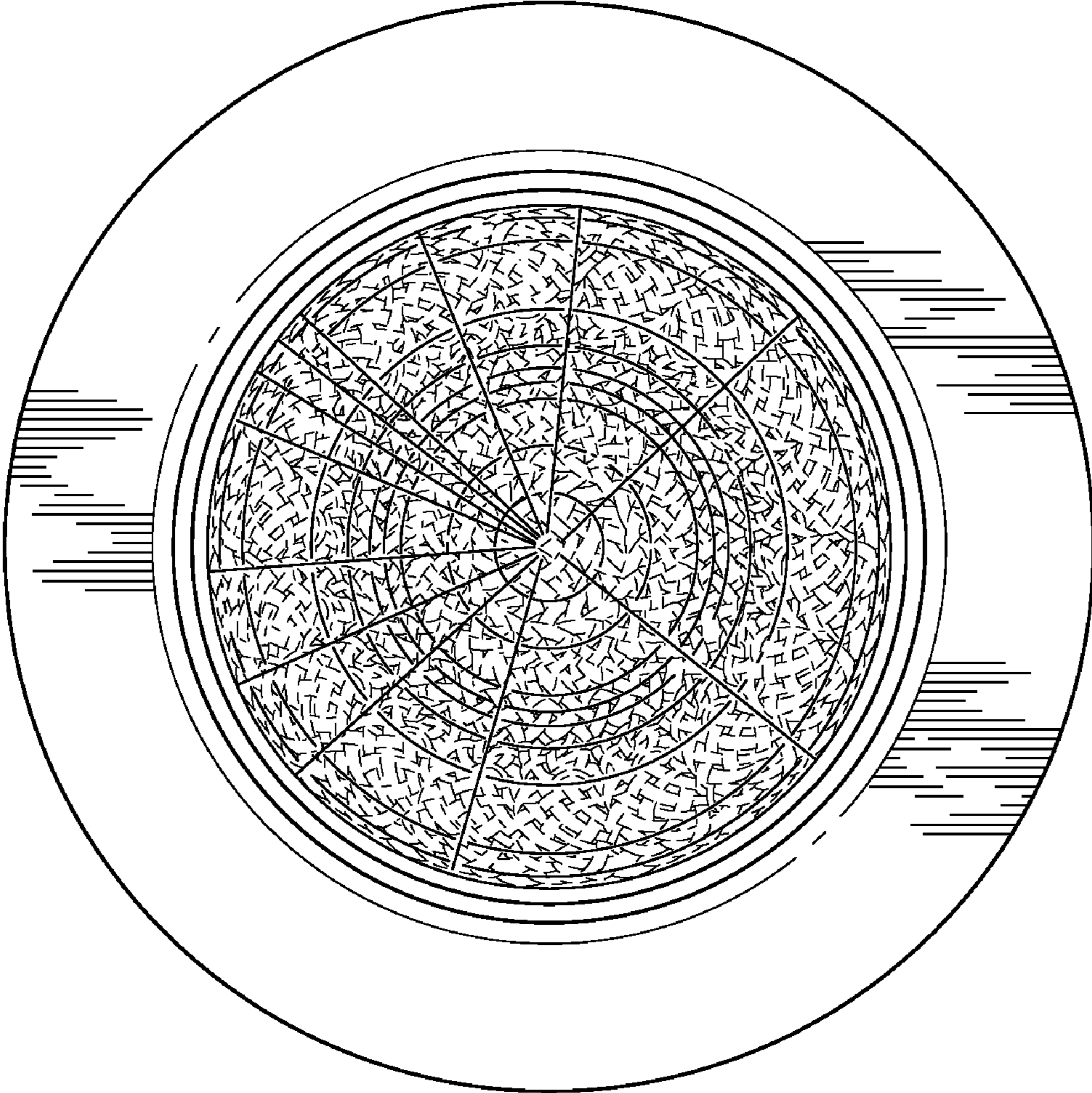


FIG. 3

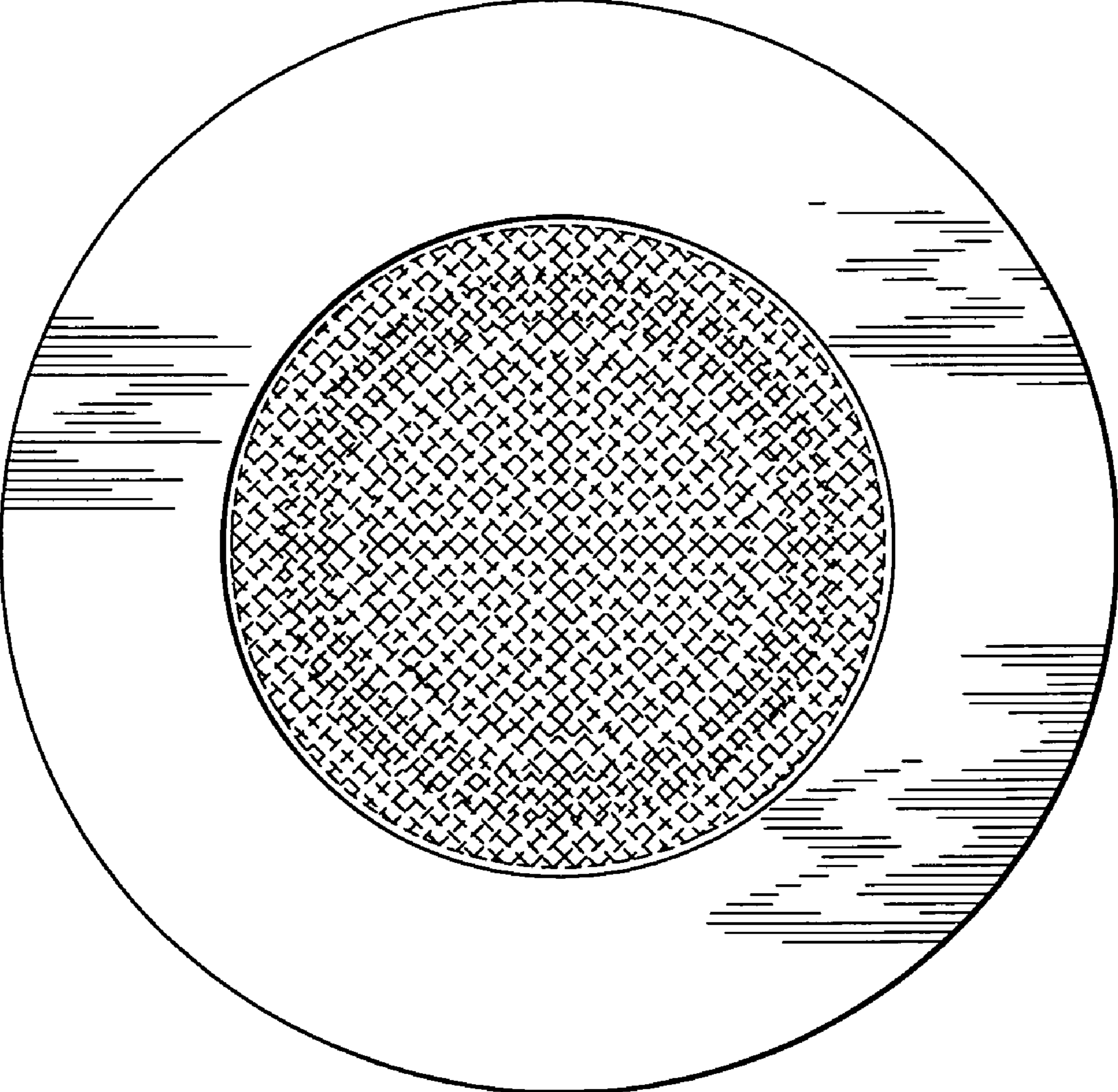


FIG. 4