



US00D610868S

(12) **United States Design Patent**
Andersson

(10) **Patent No.:** **US D610,868 S**
(45) **Date of Patent:** **** Mar. 2, 2010**

(54) **WIND SHIELD**

(75) Inventor: **Niklas Andersson**, Hägersten (SE)

(73) Assignee: **Primus AB**, Örnsköldsvik (SE)

(**) Term: **14 Years**

(21) Appl. No.: **29/311,062**

(22) Filed: **Dec. 17, 2008**

(30) **Foreign Application Priority Data**

Jun. 18, 2008 (EM) 000954037

(51) **LOC (9) Cl.** **07-01**

(52) **U.S. Cl.** **D7/387; D7/402; D7/213**

(58) **Field of Classification Search** D7/213,
D7/402, 337, 409, 388, 387, 406; D24/199;
D11/147; 431/231; 126/41 R, 307 A; 99/433;
248/346.1

See application file for complete search history.

(56) **References Cited**

U.S. PATENT DOCUMENTS

- 2,651,044 A * 9/1953 Stankiewicz et al. 2/171
- 3,482,867 A * 12/1969 Allen 294/28
- 4,108,140 A * 8/1978 Wolze 126/24
- 4,197,832 A * 4/1980 Thomas et al. 126/390.1
- D259,014 S * 4/1981 Nelson, Sr. D7/213
- 4,451,955 A * 6/1984 Kern et al. 24/20 CW
- D349,833 S * 8/1994 Enos D7/400
- D352,021 S 11/1994 Powers
- D372,697 S 8/1996 Echazabal et al.
- D392,610 S 3/1998 Noriega

- D405,747 S 2/1999 Sacco et al.
- D426,504 S 6/2000 Hartog
- D454,822 S 3/2002 Leutz
- D463,319 S * 9/2002 Stern D11/144
- D463,351 S 9/2002 Lewis
- D491,963 S * 6/2004 Doba D15/144
- D494,522 S 8/2004 Rivers
- D532,660 S * 11/2006 Raichlen et al. D7/669
- 7,533,605 B1 * 5/2009 Morgan 99/410
- D602,347 S * 10/2009 Allen D8/382

* cited by examiner

Primary Examiner—Robert M Spear

Assistant Examiner—Cynthia Underwood

(74) *Attorney, Agent, or Firm*—Nixon & Vanderhye P.C.

(57) **CLAIM**

The ornamental design for a “wind shield,” as shown and described.

DESCRIPTION

FIG. 1 is a top perspective view of the wind shield.

FIG. 2 is a side perspective view of the wind shield.

FIG. 3 is a top view of the wind shield.

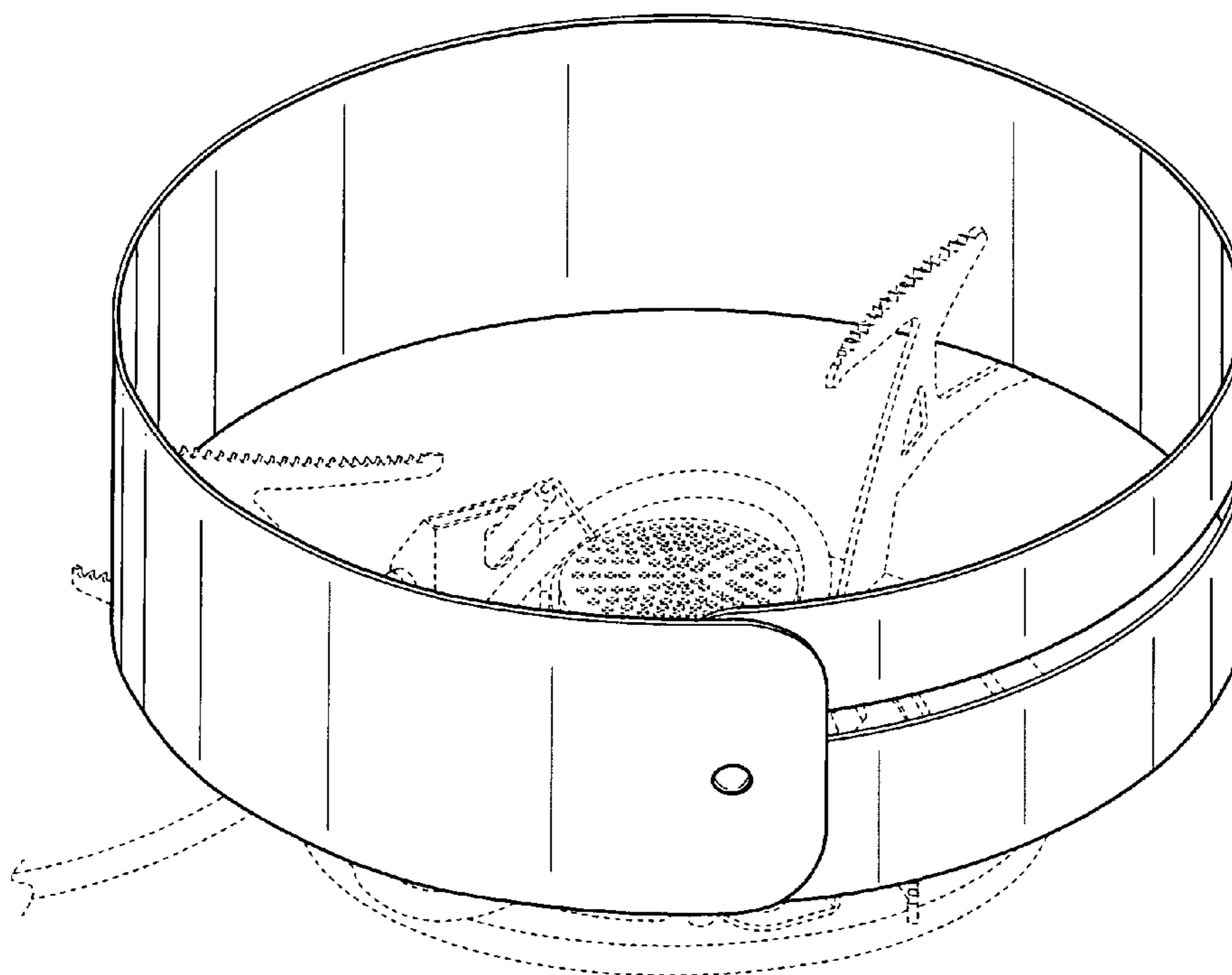
FIG. 4 is a top folded view of the wind shield.

FIG. 5 is a top perspective view of the wind shield mounted on an outdoor stove.

FIG. 6 is a bottom perspective view of the wind shield mounted on an outdoor stove; and,

FIG. 7 is a side view of the wind shield mounted on an outdoor stove.

1 Claim, 4 Drawing Sheets



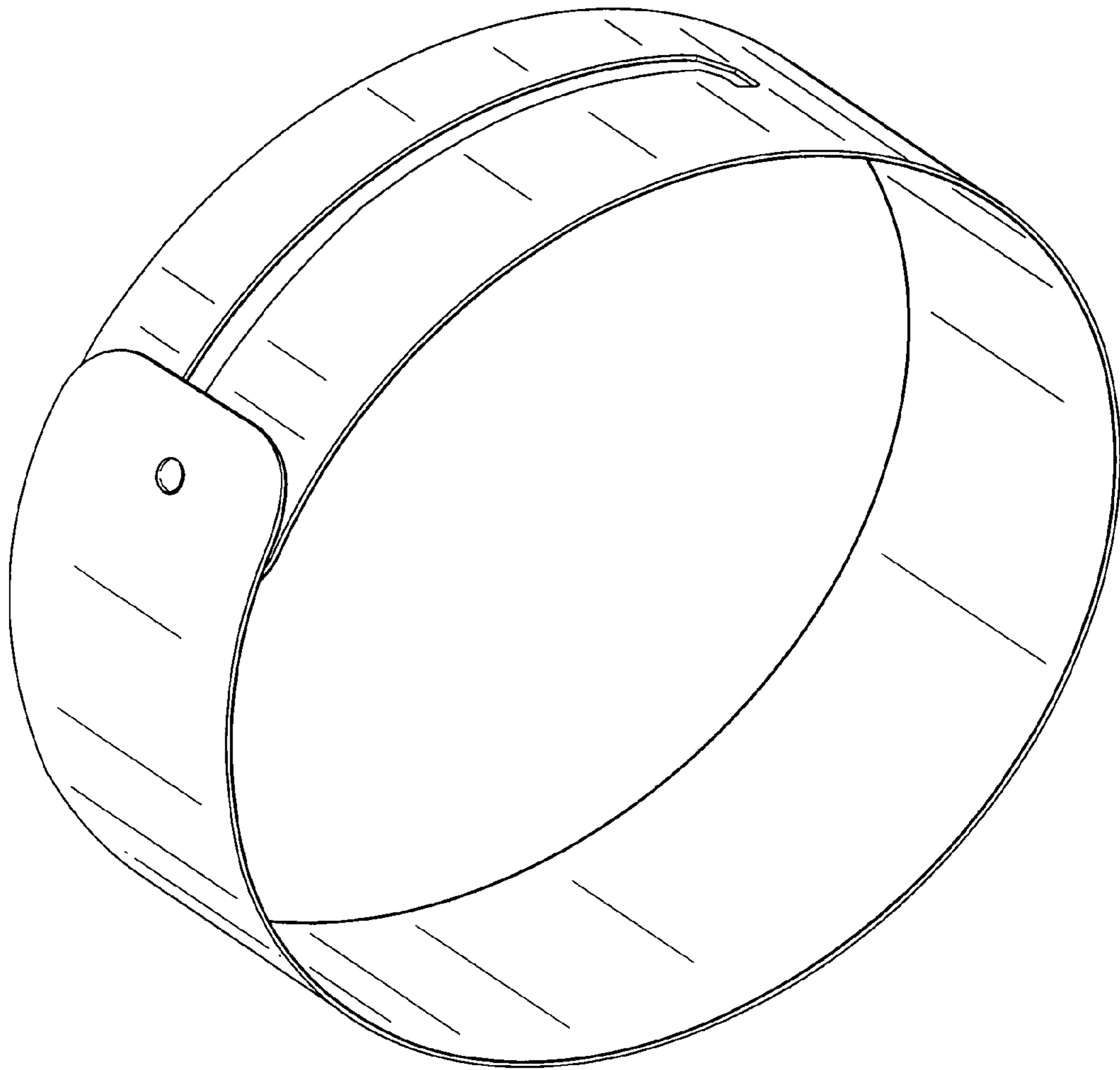


FIG. 1

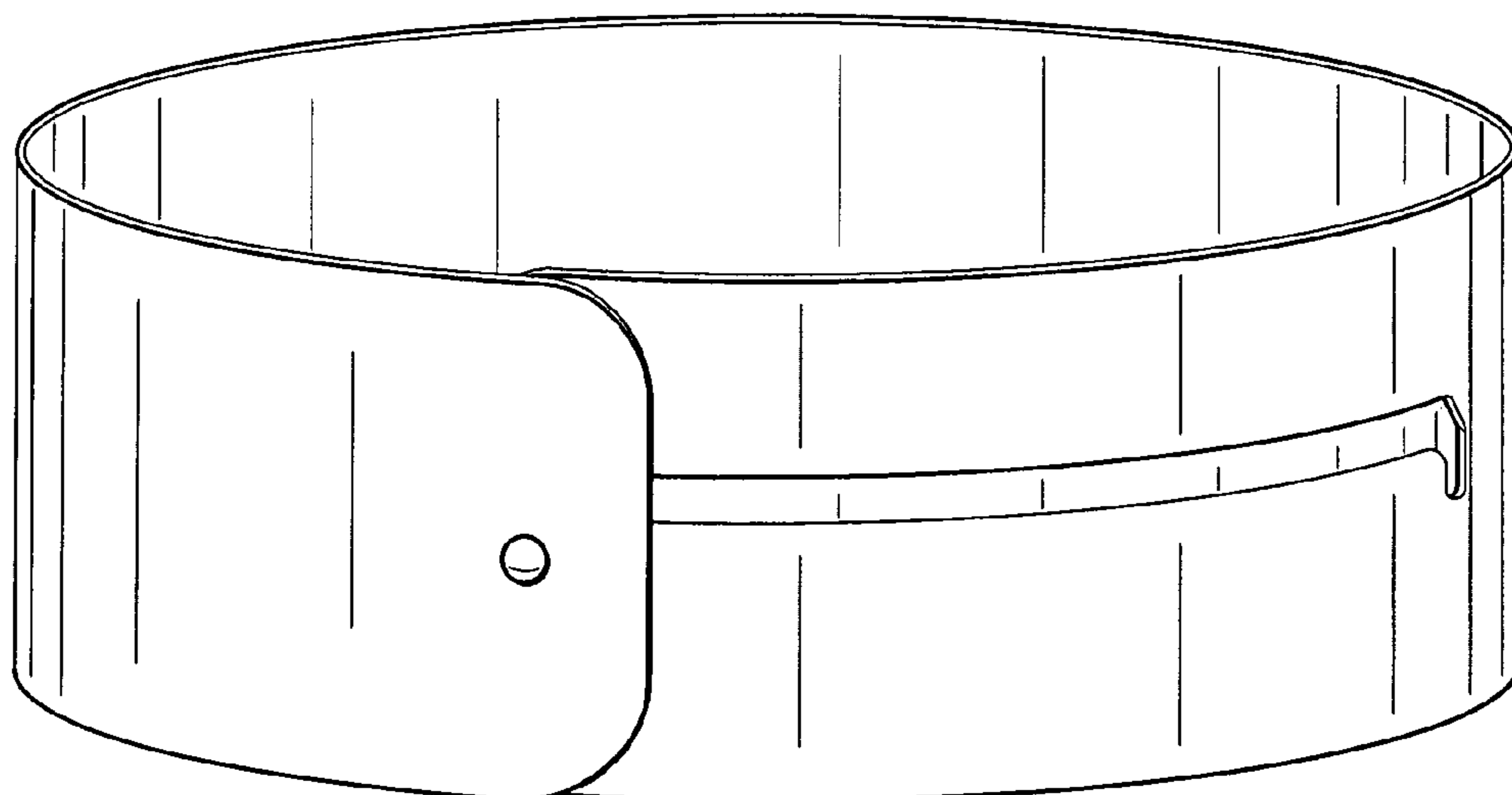


FIG. 2

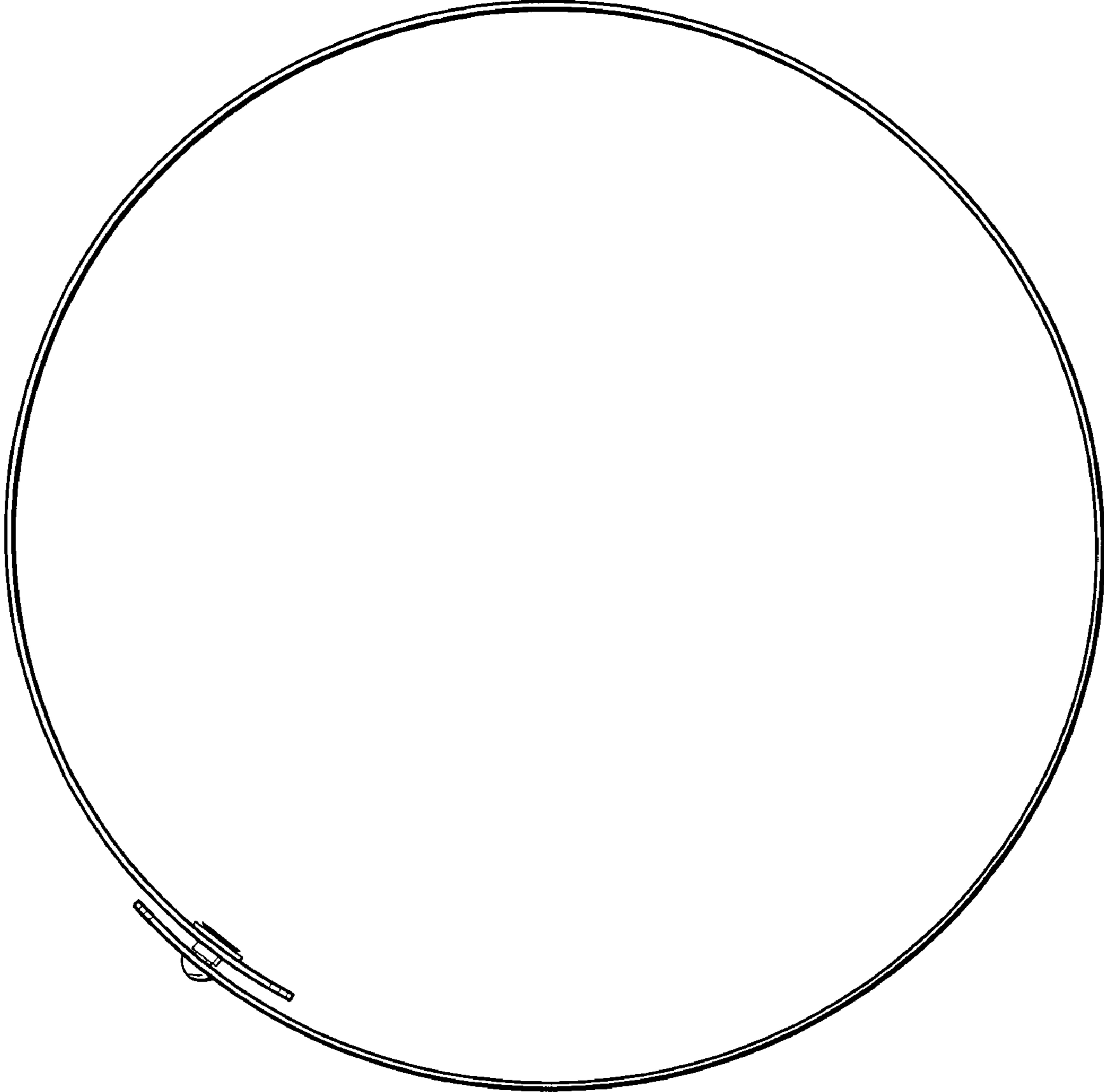


FIG. 3

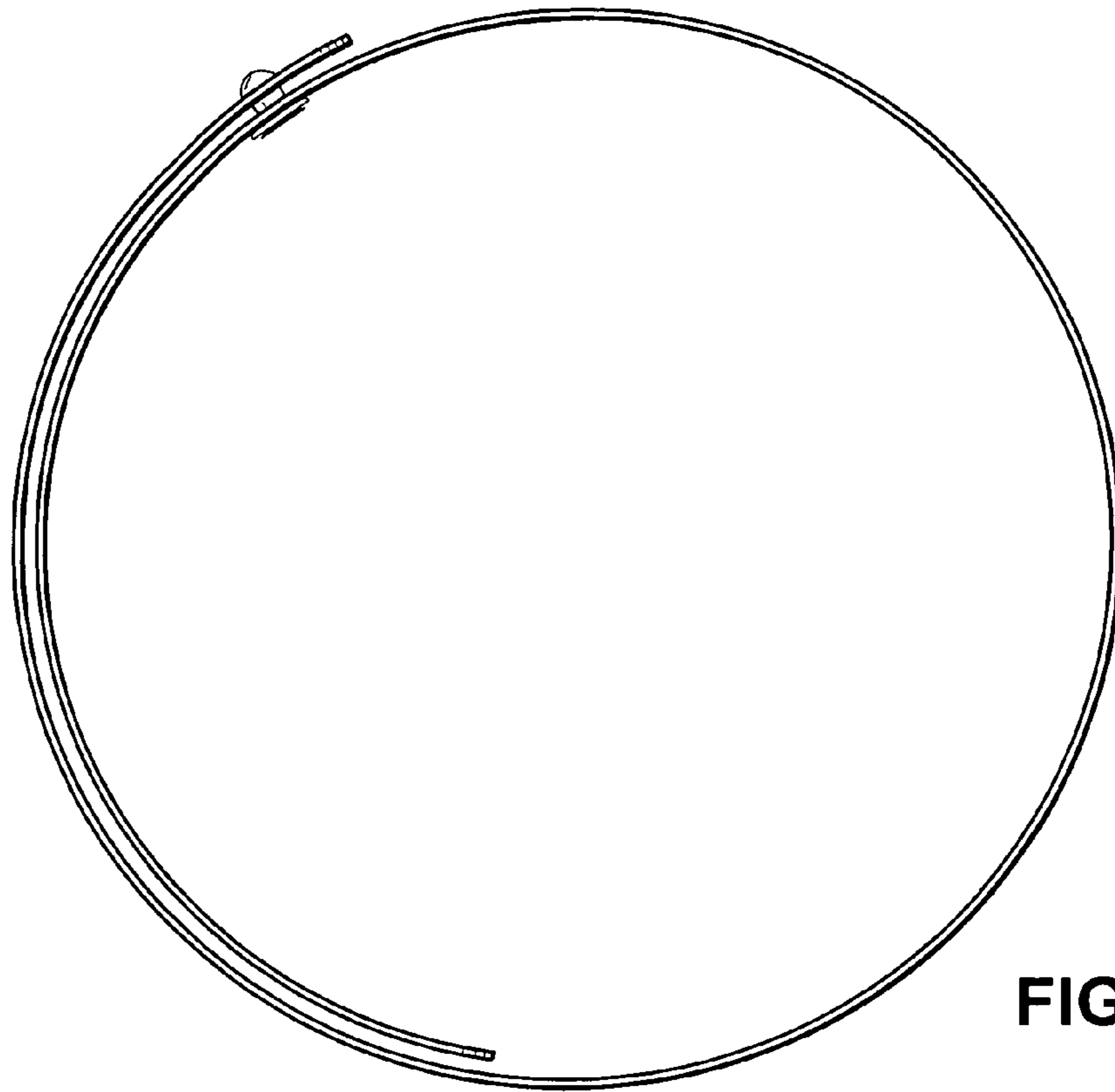


FIG. 4

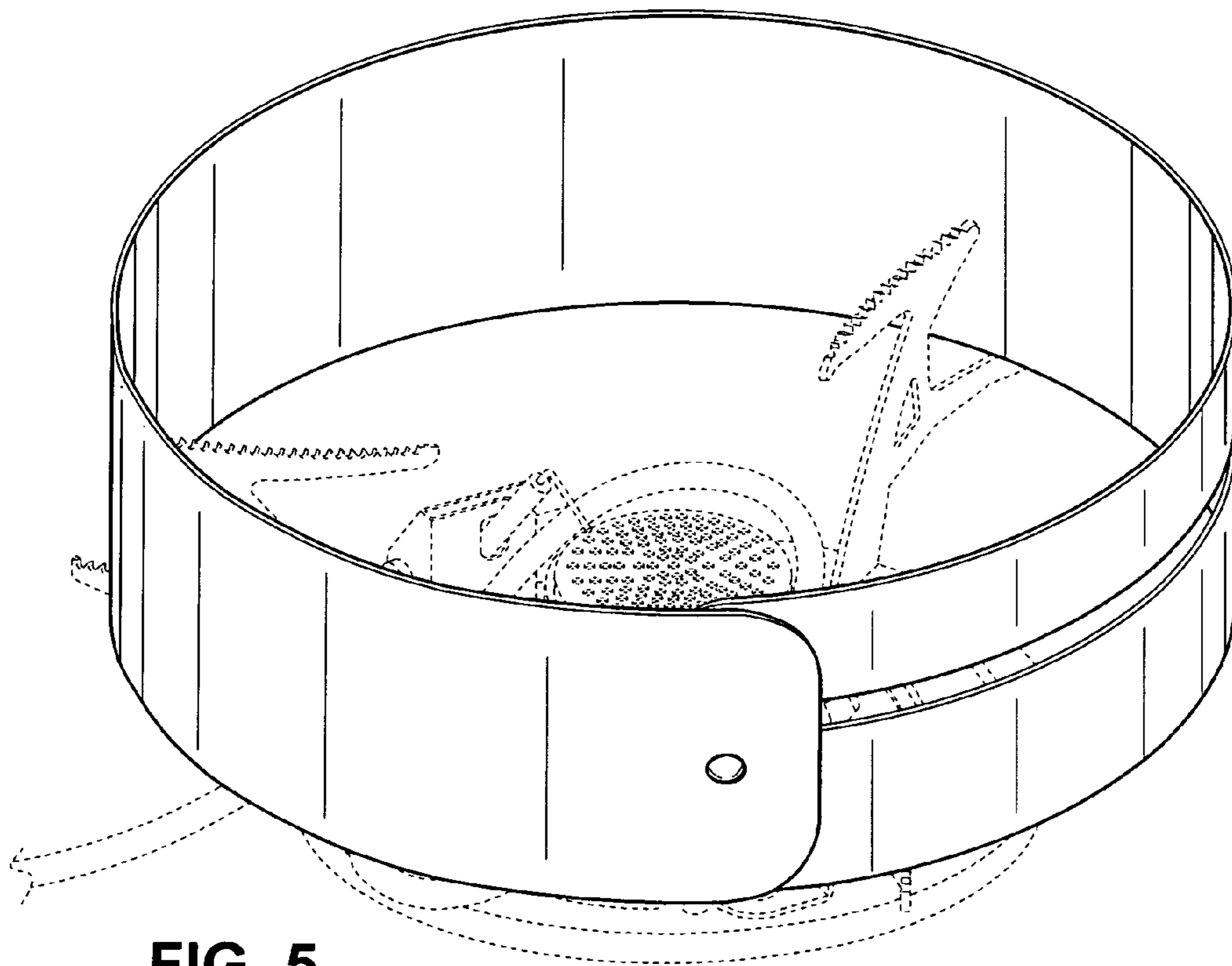


FIG. 5

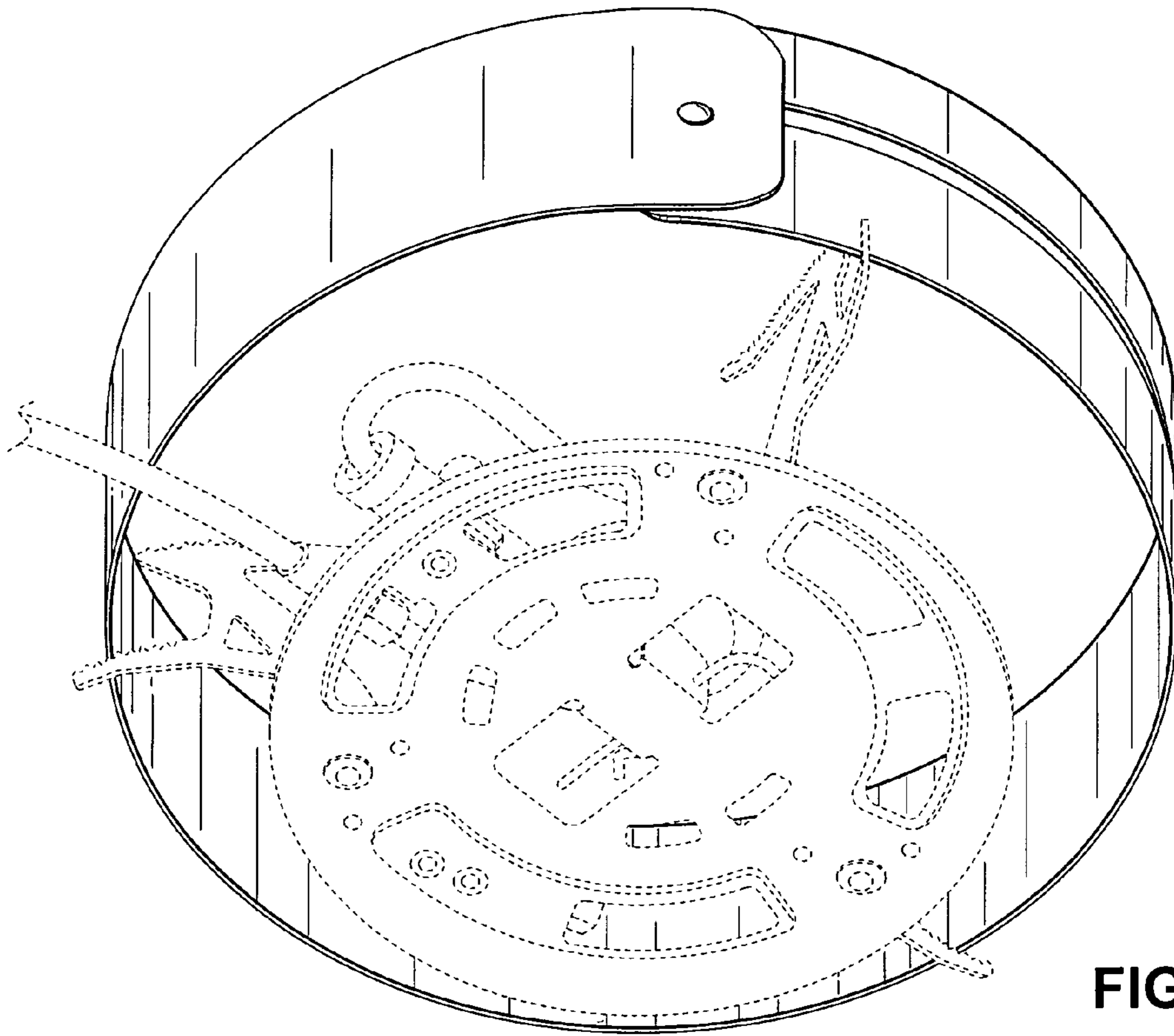


FIG. 6

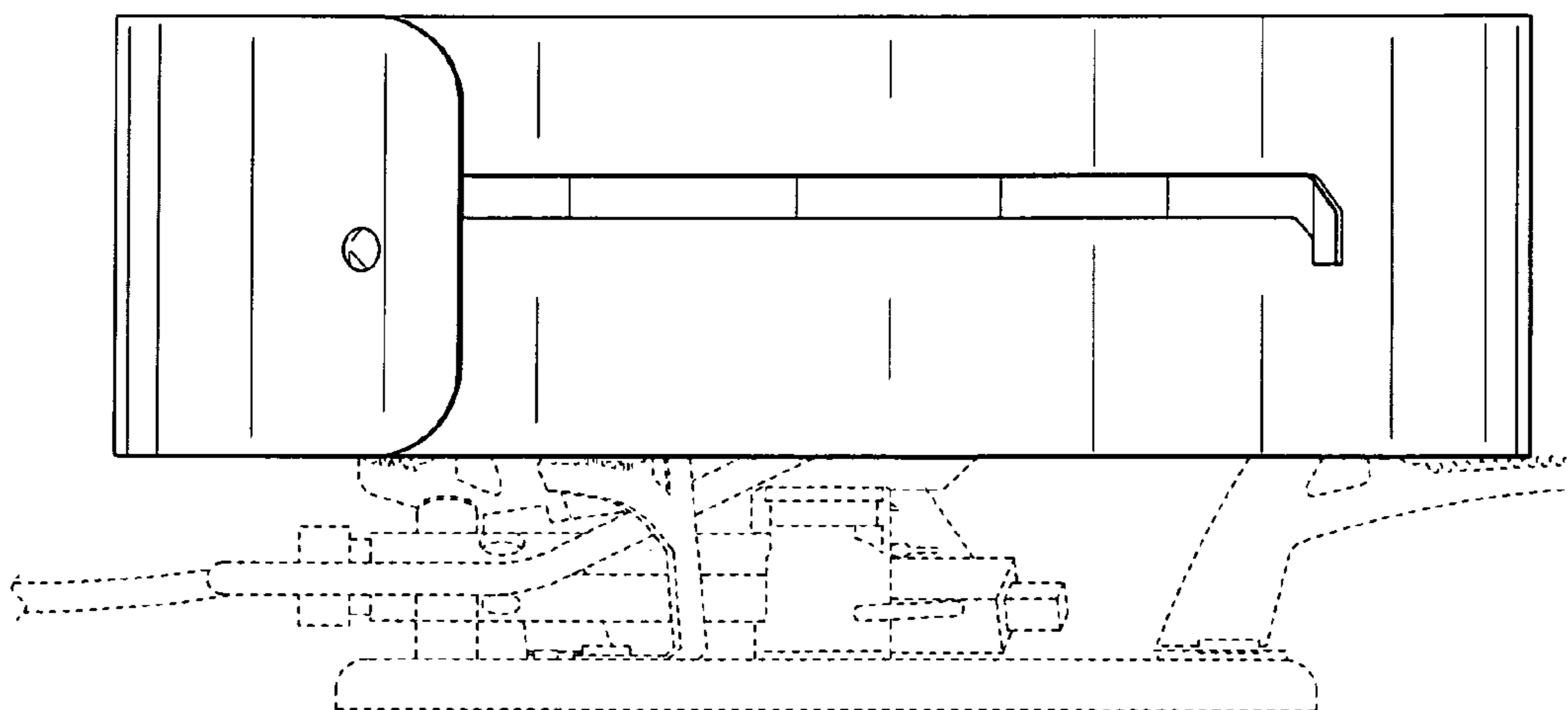


FIG. 7