



US00D610867S

(12) **United States Design Patent**  
**Chan**

(10) **Patent No.:** **US D610,867 S**  
(45) **Date of Patent:** **\*\* Mar. 2, 2010**

(54) **BUFFET WARMER**

(76) Inventor: **Eddie Man-Ying Chan**, Unit 901,  
Peninsula Square, No. 18 Sung On  
Street, Hunghom, Kowloon, Hong Kong  
(CN)

(\*\*) Term: **14 Years**

(21) Appl. No.: **29/313,048**

(22) Filed: **Dec. 3, 2008**

(51) **LOC (9) Cl.** ..... **07-02**

(52) **U.S. Cl.** ..... **D7/364**

(58) **Field of Classification Search** ..... D7/402,  
D7/403, 407, 409, 362-367; 126/40, 43,  
126/44, 50, 9 R, 25 A, 41 R; 99/445, 448,  
99/450, 372; 219/450.1, 524, 520, 478, 451.1  
See application file for complete search history.

(56) **References Cited**

**U.S. PATENT DOCUMENTS**

D431,411 S \* 10/2000 Chang ..... D7/362  
D436,797 S \* 1/2001 Huang et al. .... D7/363

D513,151 S \* 12/2005 Currie ..... D7/364  
D541,585 S \* 5/2007 Lee ..... D7/364  
D566,459 S \* 4/2008 Doo ..... D7/364  
D567,016 S \* 4/2008 Chan ..... D7/364

\* cited by examiner

*Primary Examiner*—Ruth McInroy

(74) *Attorney, Agent, or Firm*—Alix, Yale & Ristas, LLP

(57) **CLAIM**

The ornamental design for a buffet warmer, as shown and described.

**DESCRIPTION**

FIG. 1 is a front elevational view of a buffet warmer showing my new design;

FIG. 2 is a rear elevational view thereof;

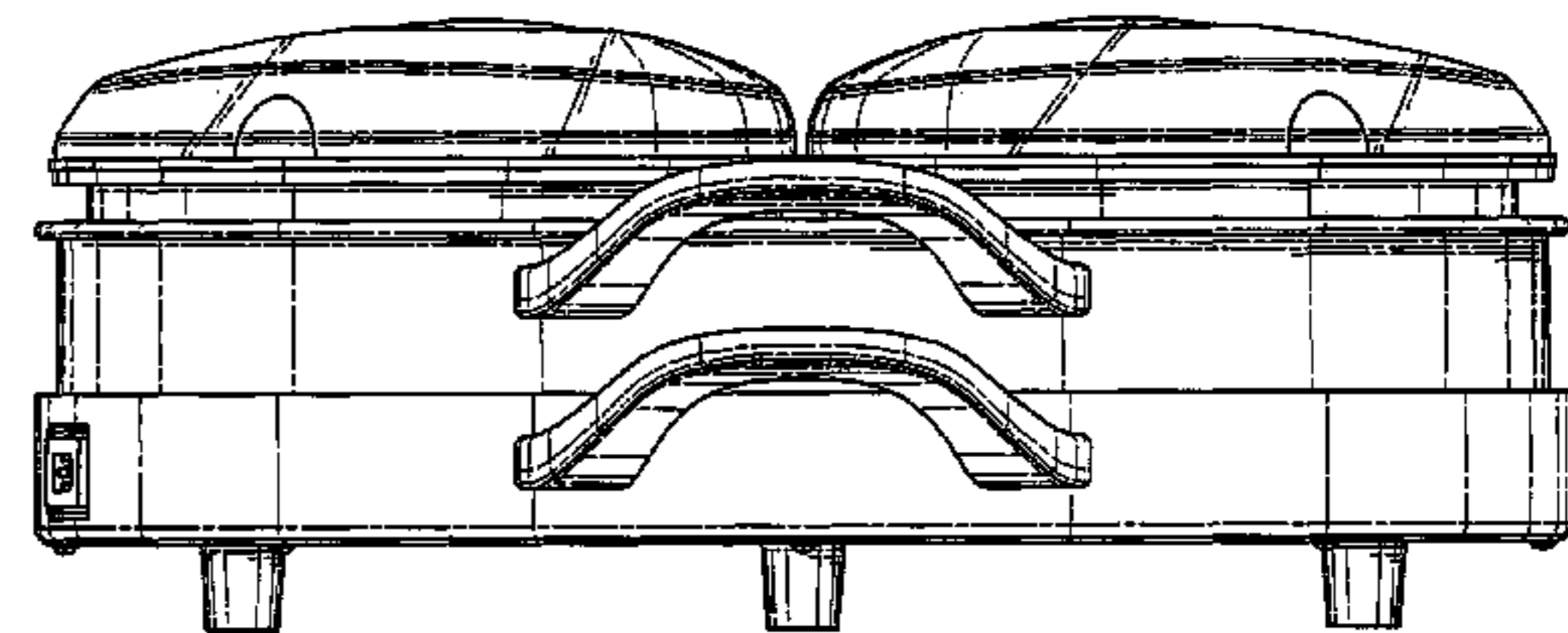
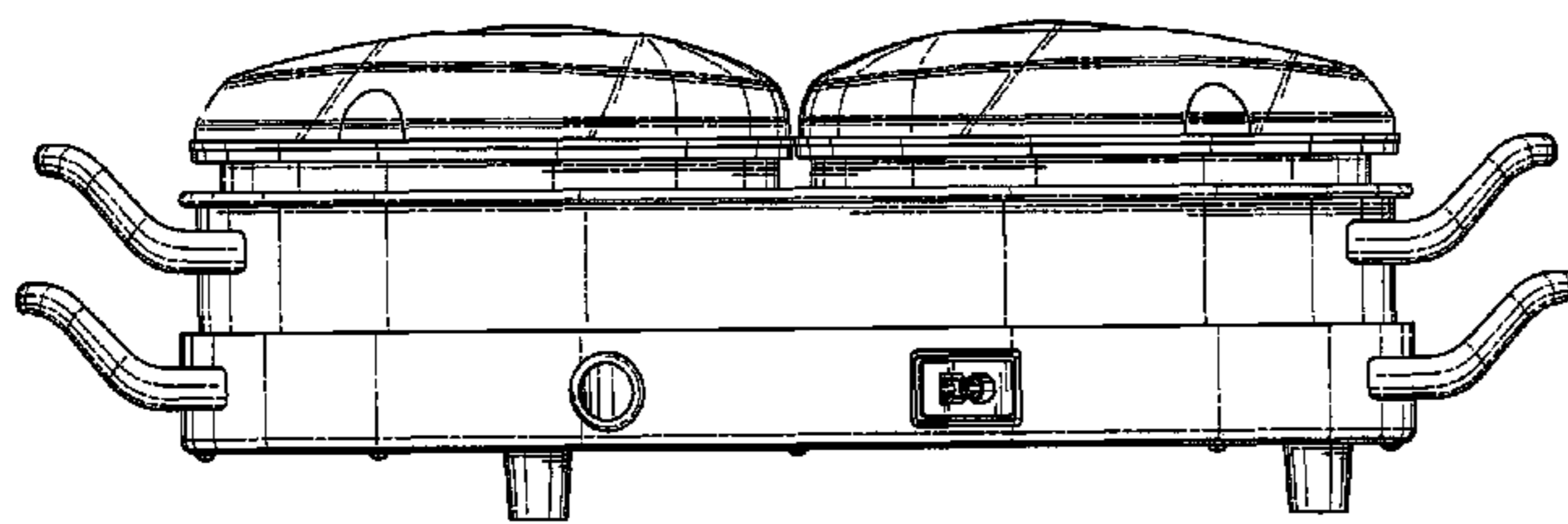
FIG. 3 is a left side elevational view thereof; and

FIG. 4 is a right side elevational view thereof.

FIG. 5 is a top plan view thereof; and,

FIG. 6 is a bottom plan view thereof.

**1 Claim, 4 Drawing Sheets**



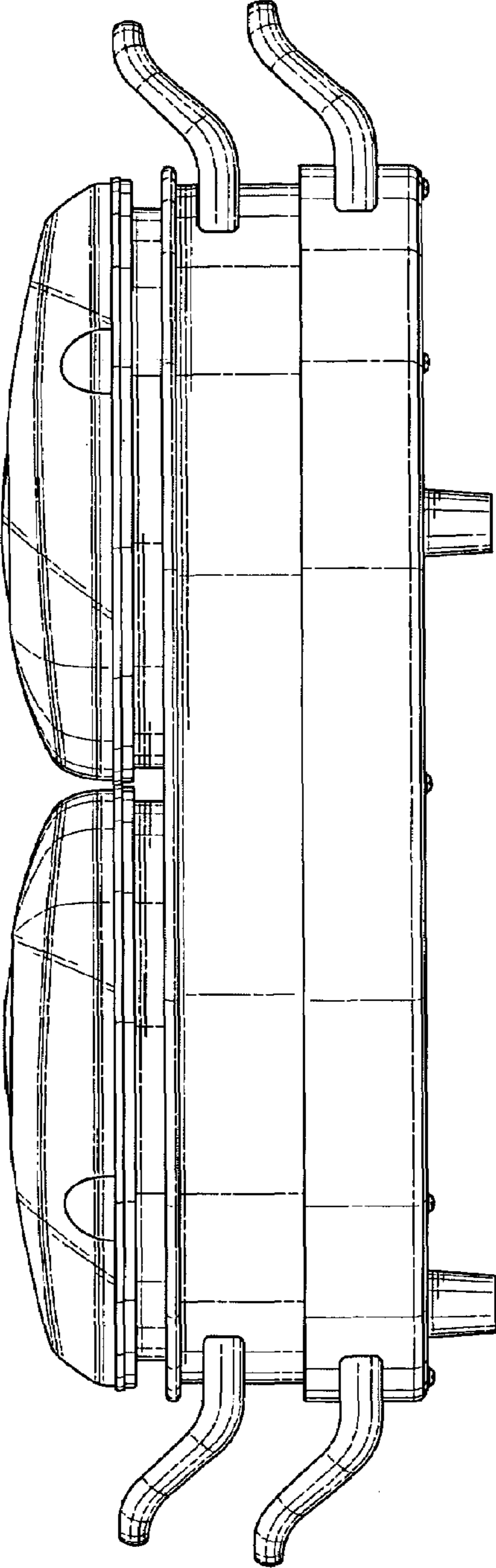


FIG. 1

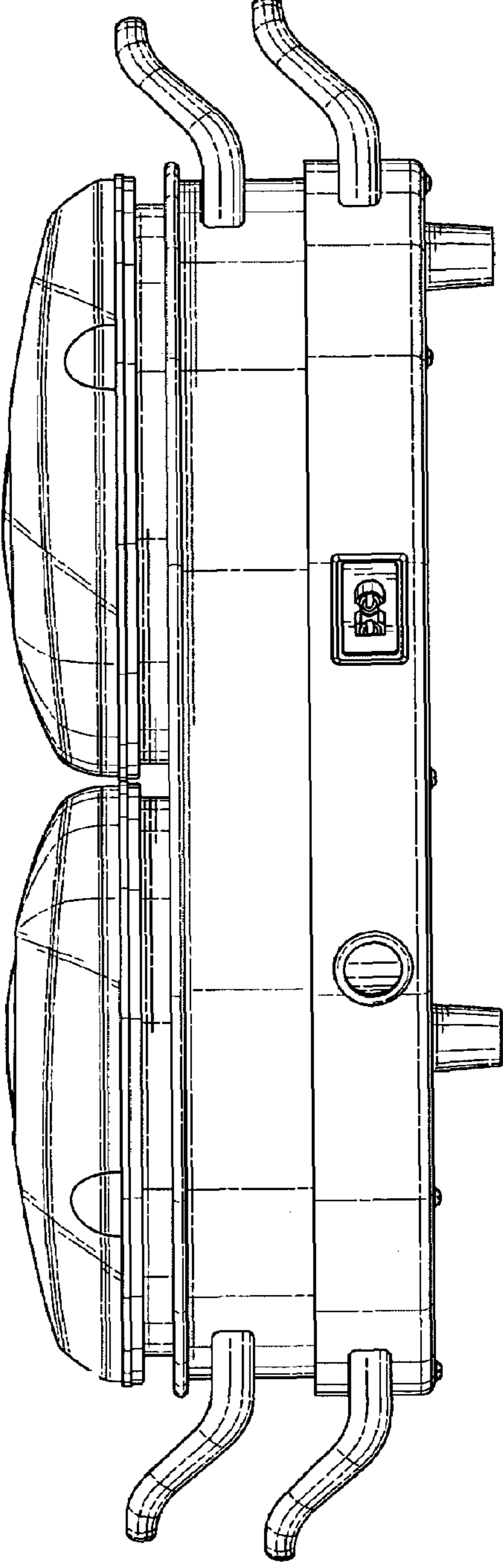


FIG. 2

FIG. 3

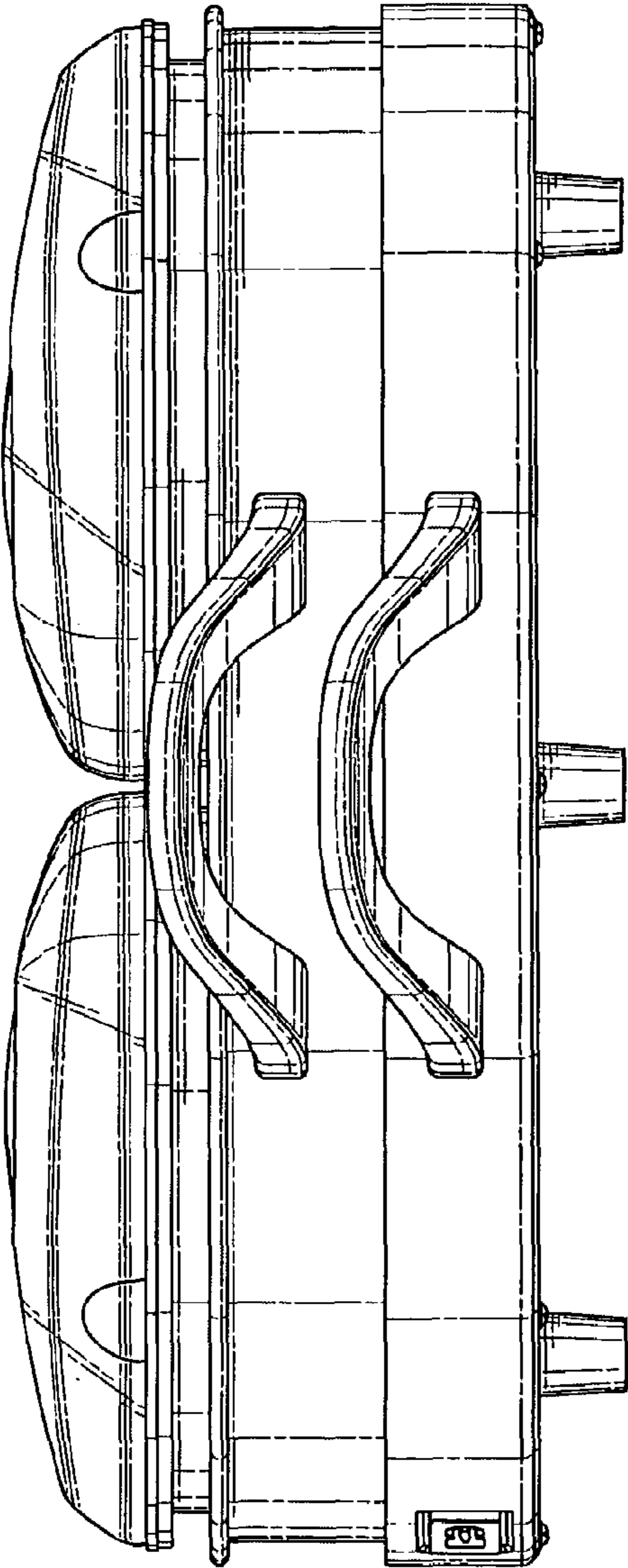
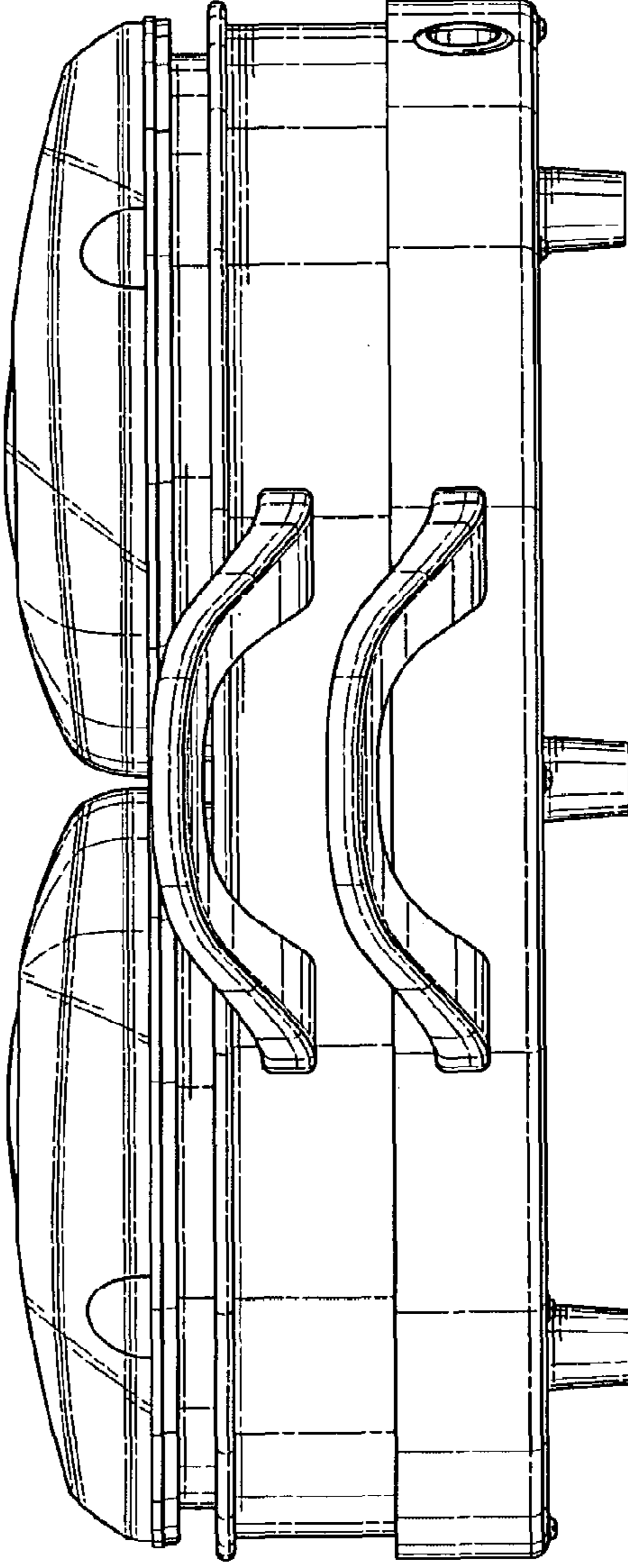


FIG. 4



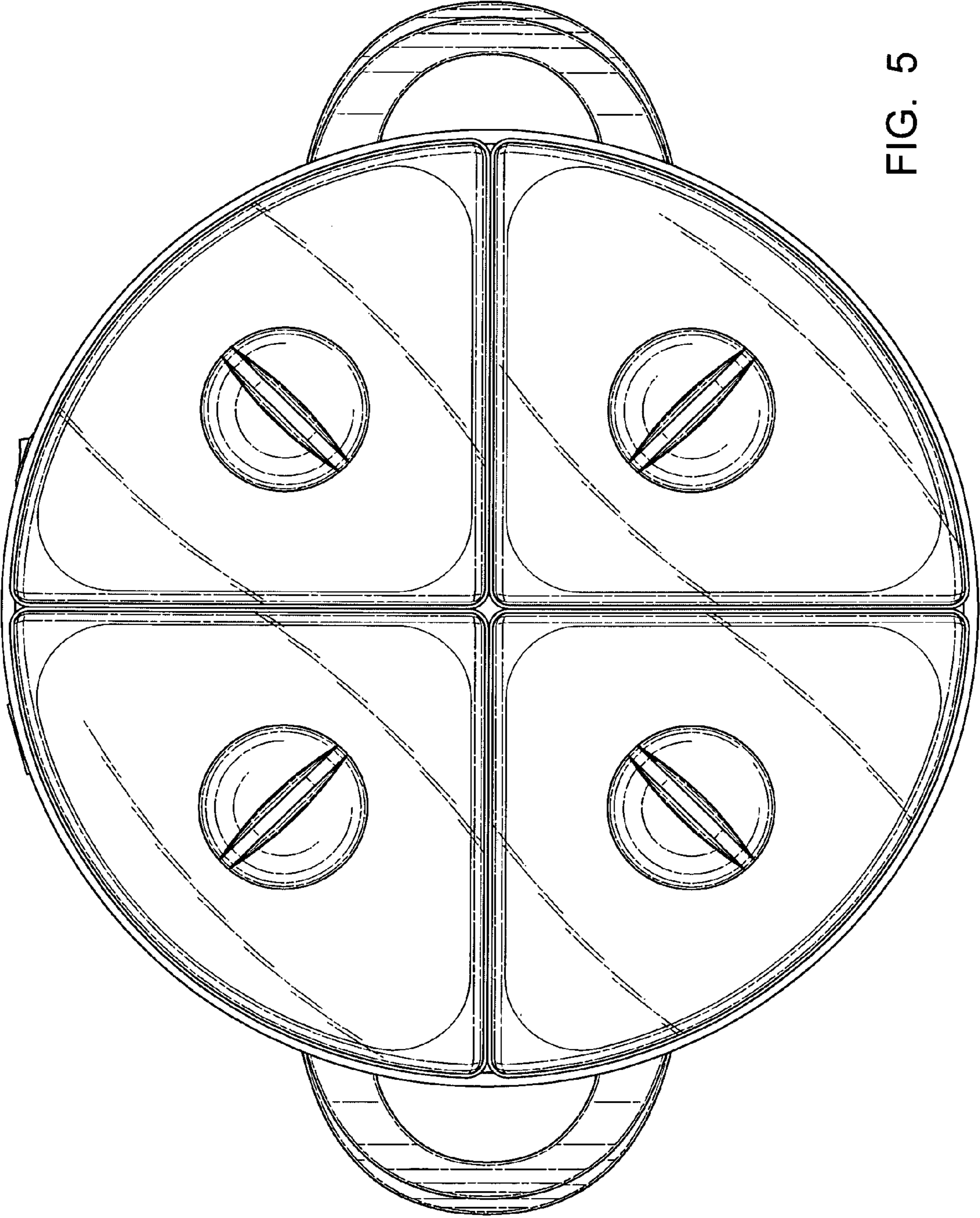


FIG. 5

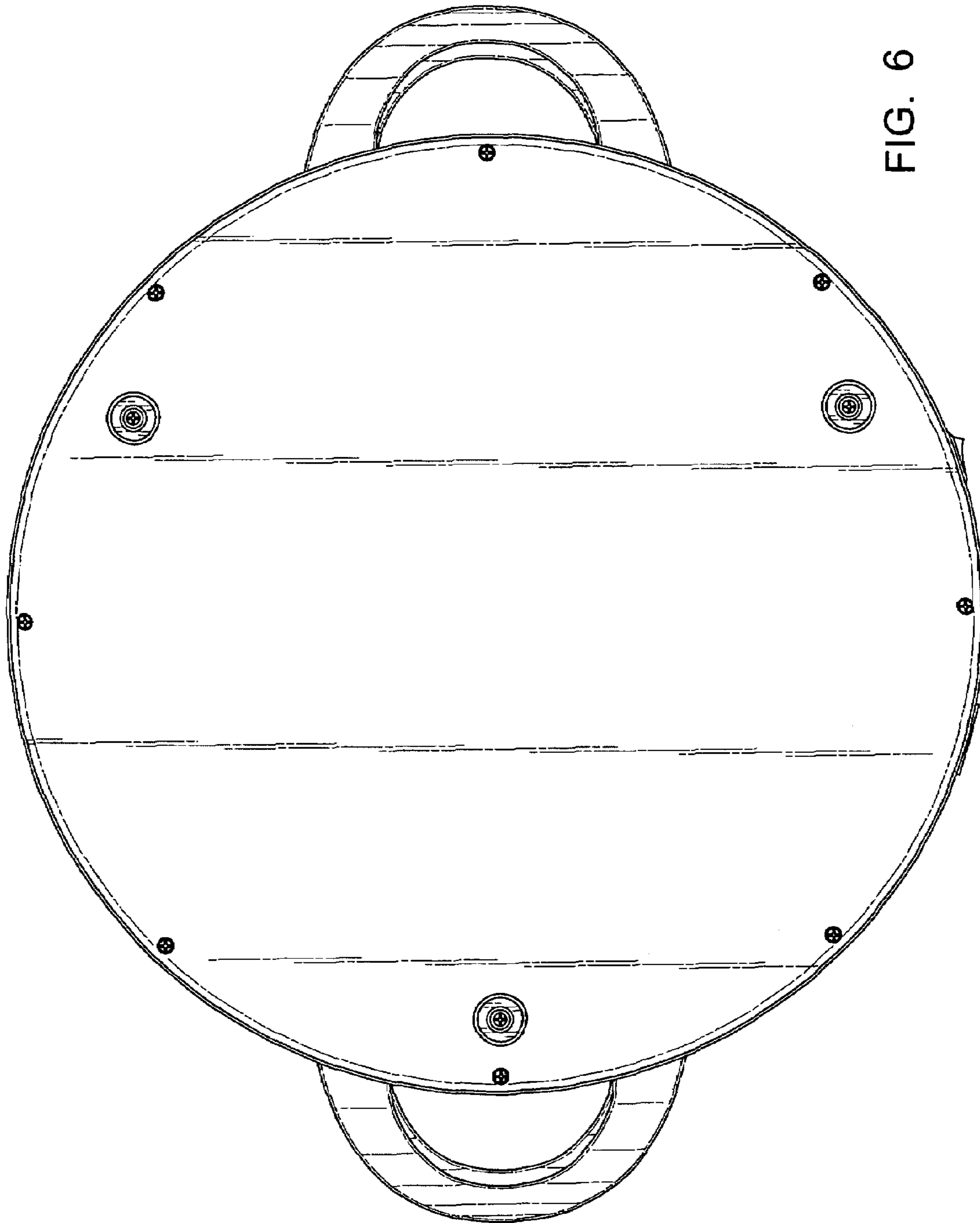


FIG. 6