



US00D610866S

(12) **United States Design Patent**
Fiorotto

(10) **Patent No.:** **US D610,866 S**
(45) **Date of Patent:** **** Mar. 2, 2010**

(54) **FRYER**
(75) Inventor: **Francesco Fiorotto**, Roncade (IT)
(73) Assignee: **De'Longhi Appliances S.R.L. Con Unico Socio**, Treviso (IT)
(**) Term: **14 Years**
(21) Appl. No.: **29/341,003**
(22) Filed: **Jul. 29, 2009**
(30) **Foreign Application Priority Data**
Jan. 30, 2009 (EM) 001079073-0008

(51) **LOC (9) Cl.** **07-02**
(52) **U.S. Cl.** **D7/354**
(58) **Field of Classification Search** D7/323,
D7/330-331, 339, 350.2, 350-367, 378-379,
D7/383-384, 391, 406, 542-545; 99/324-325,
99/329 R, 330-339; 219/432-433, 438-441,
219/620-622, 725-730; 220/203.1, 203.7,
220/303, 573.1-574, 769, 912; 426/438,
426/441
See application file for complete search history.

(56) **References Cited**
U.S. PATENT DOCUMENTS
D374,588 S * 10/1996 Federico D7/354
D387,243 S * 12/1997 Bumoux D7/354

D414,072 S * 9/1999 Powell D7/354
D423,277 S * 4/2000 Josancy D7/354
D432,348 S * 10/2000 Shaw D7/354
D446,680 S * 8/2001 Falt et al. D7/354
D452,795 S * 1/2002 Johnson et al. D7/354
D463,711 S * 10/2002 Josancy D7/354
D464,526 S * 10/2002 Brown D7/354
D465,125 S * 11/2002 Chedal Anglay D7/354
D489,935 S * 5/2004 Choi D7/354
D533,014 S * 12/2006 Choi D7/354
D551,897 S * 10/2007 De Pra' D7/339

* cited by examiner

Primary Examiner—Caron Veynar
Assistant Examiner—Ricky Pham
(74) *Attorney, Agent, or Firm*—Flaster/Greenberg, PC

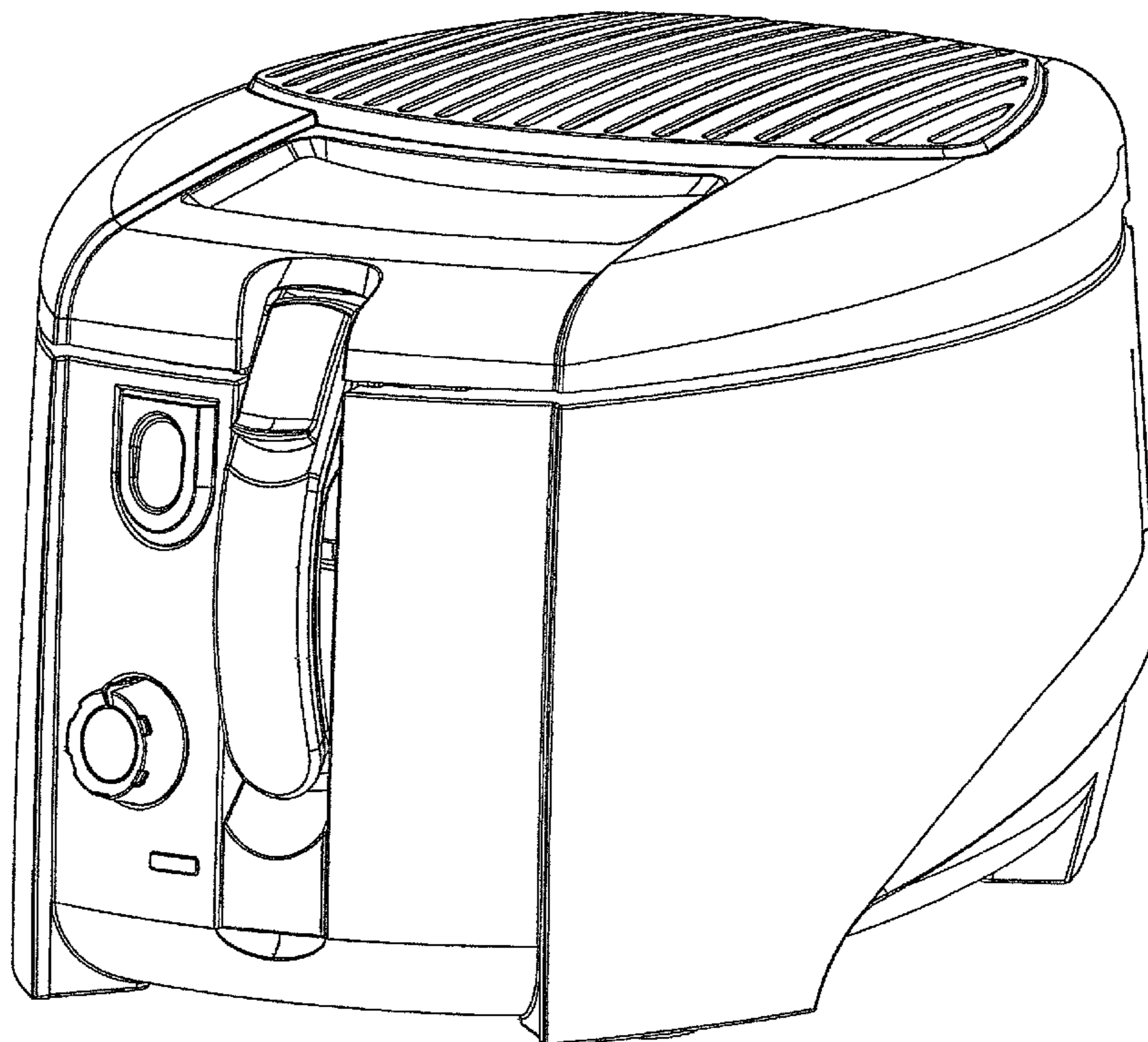
(57) **CLAIM**

The ornamental design for a fryer, as shown and described.

DESCRIPTION

FIG. 1 is a perspective view of the fryer;
FIG. 2 is a front view of the fryer;
FIG. 3 is a rear view of the fryer;
FIG. 4 is a right side view of the fryer;
FIG. 5 is a left side view of the fryer;
FIG. 6 is a top view of the fryer; and,
FIG. 7 is a bottom view of the fryer.

1 Claim, 7 Drawing Sheets



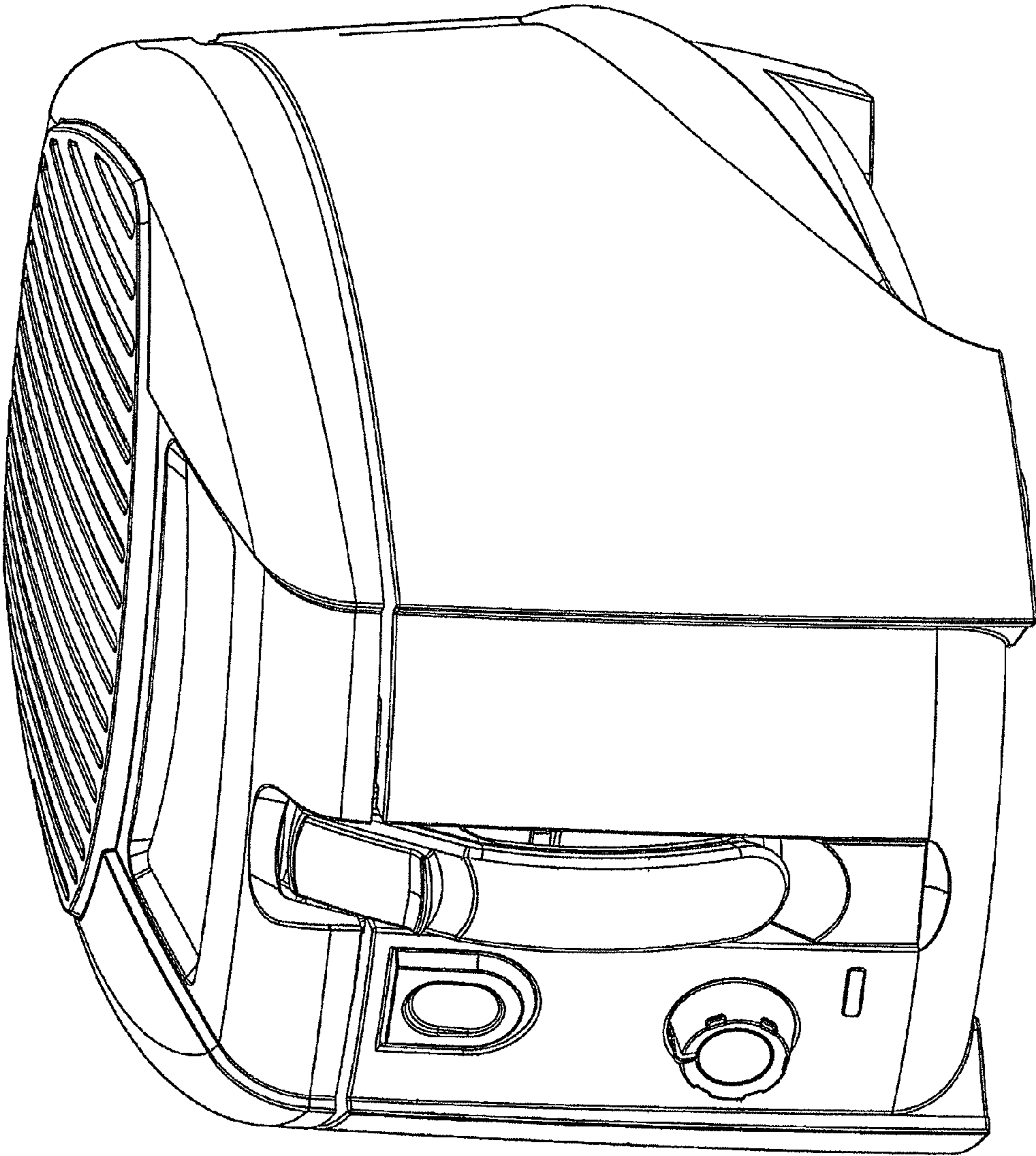


Figure 1

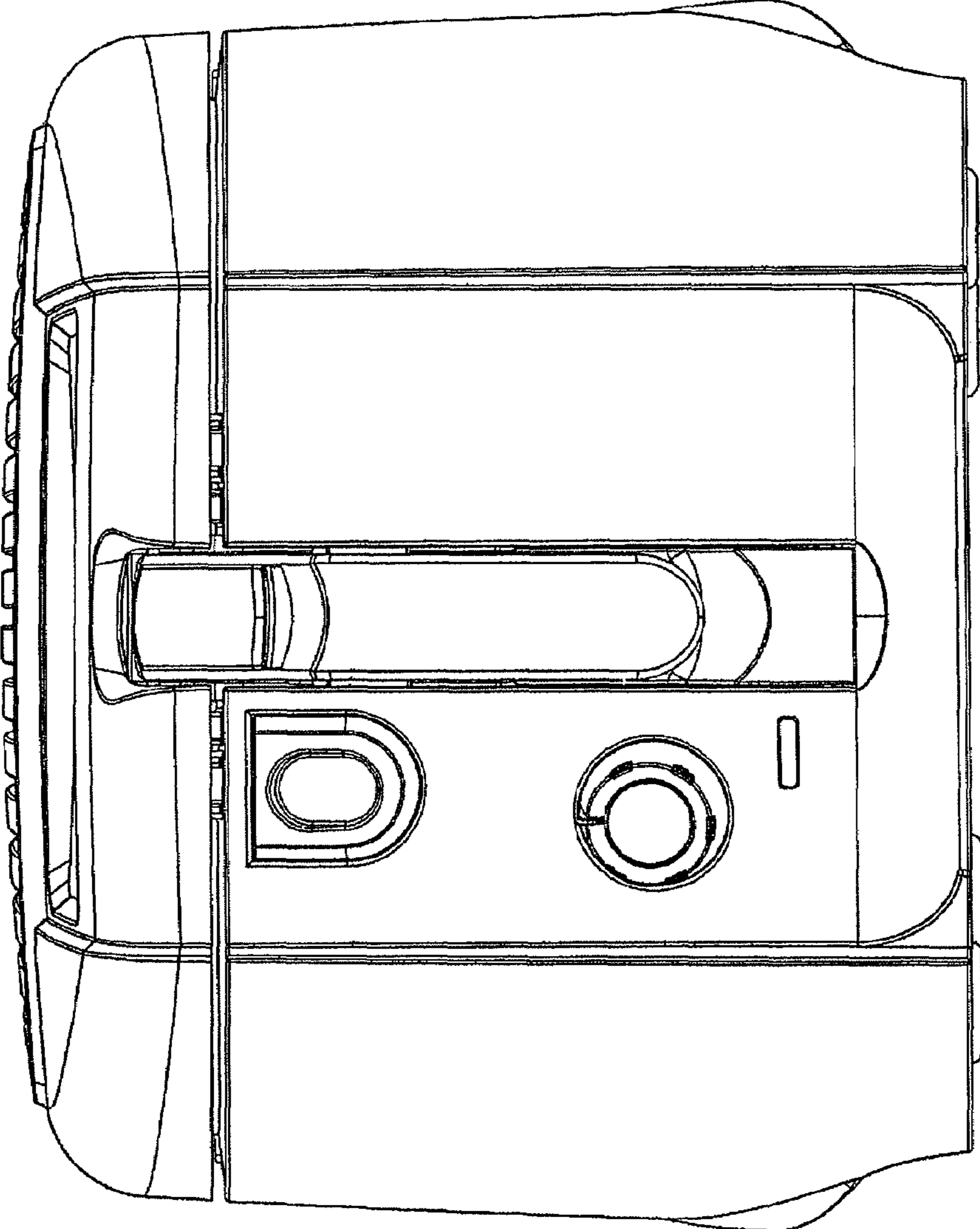


Figure 2

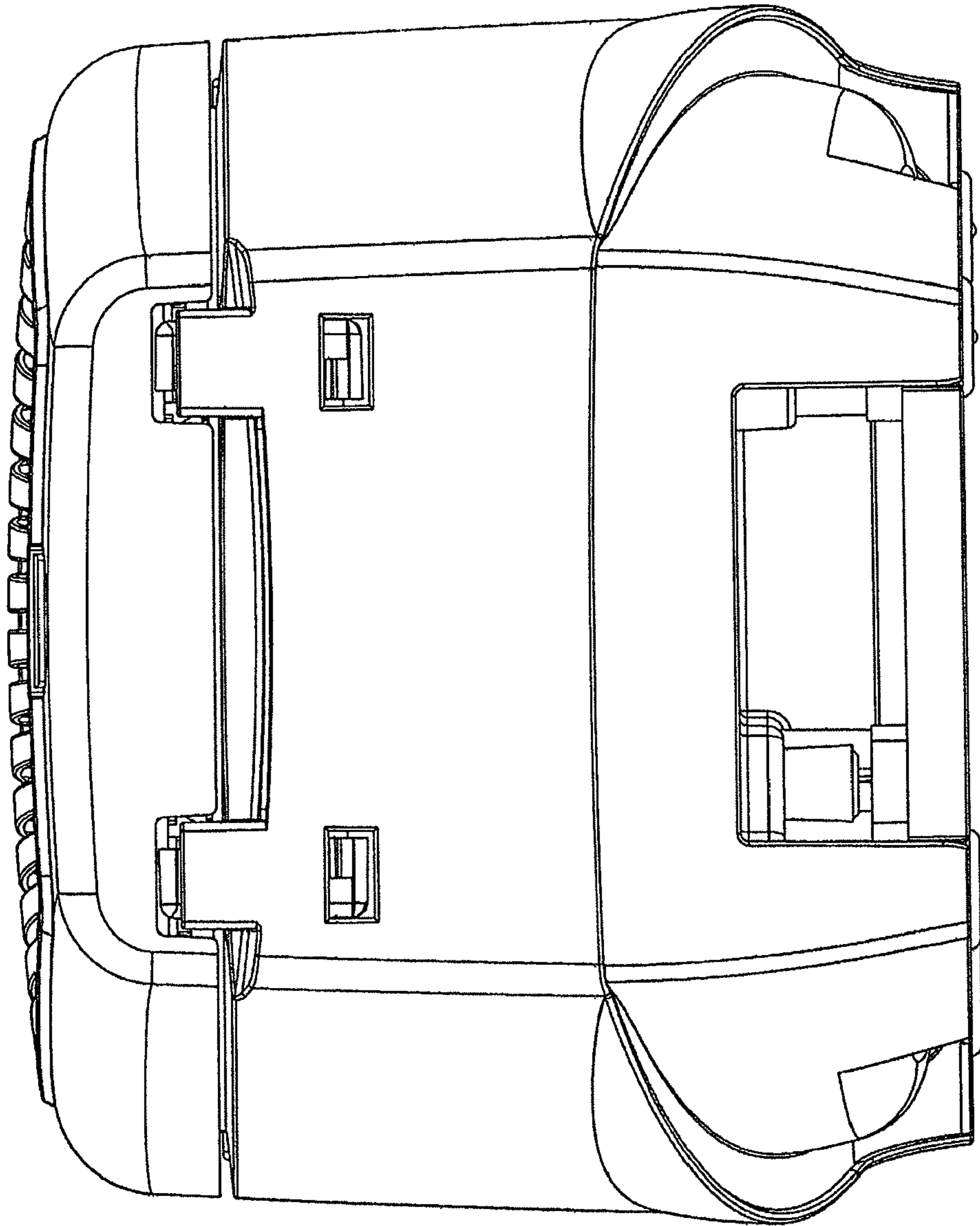


Figure 3



Figure 4

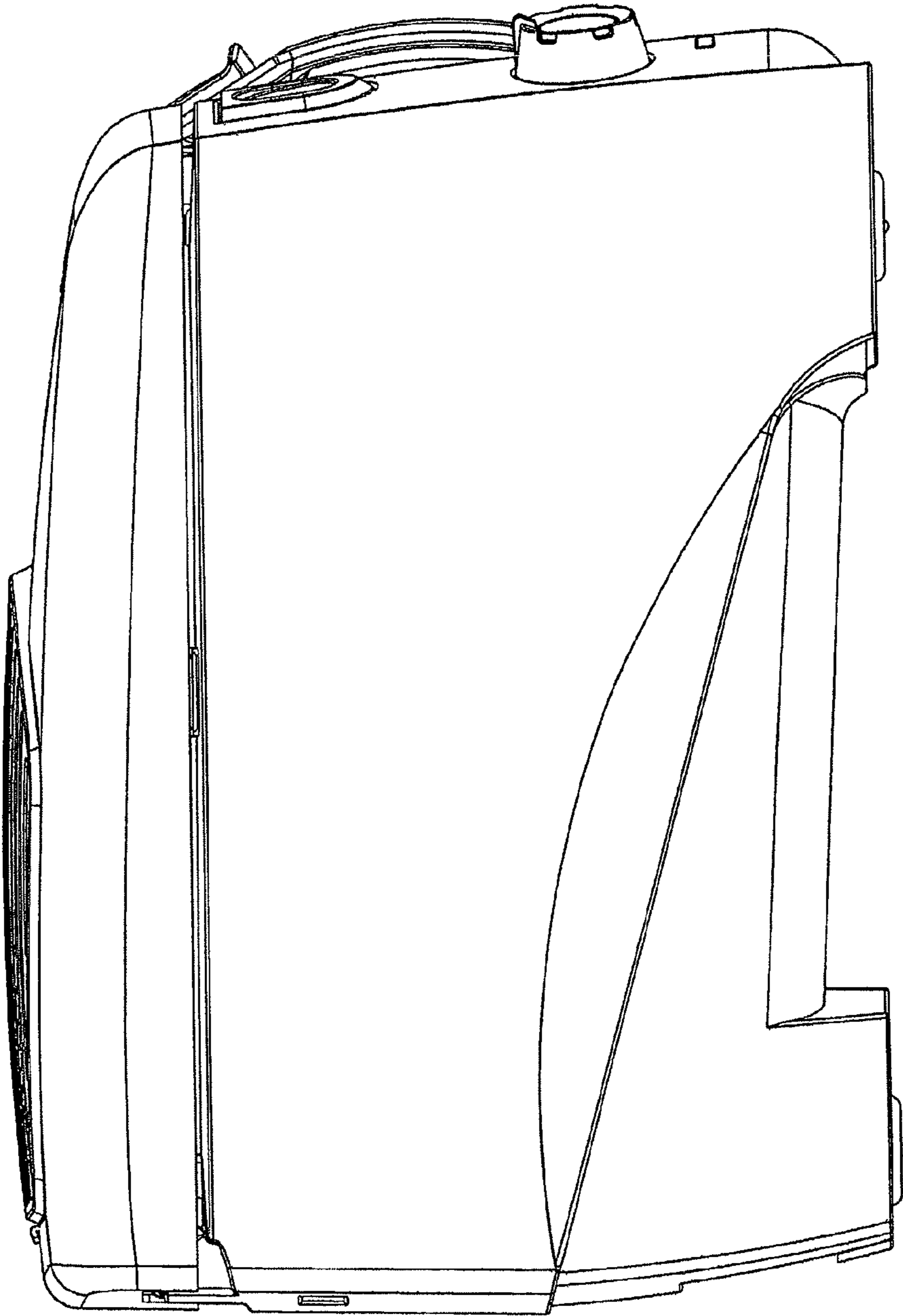


Figure 5

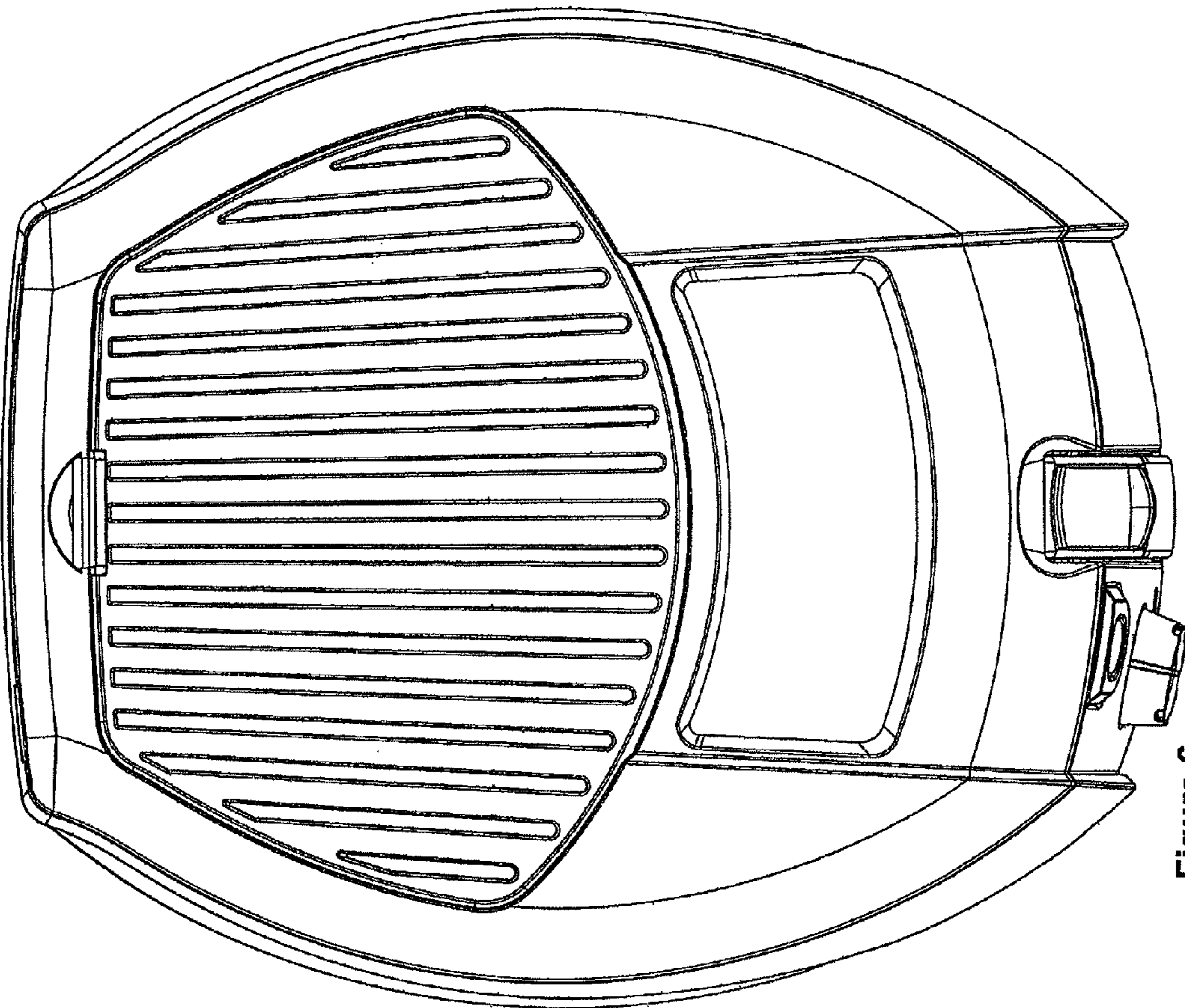


Figure 6

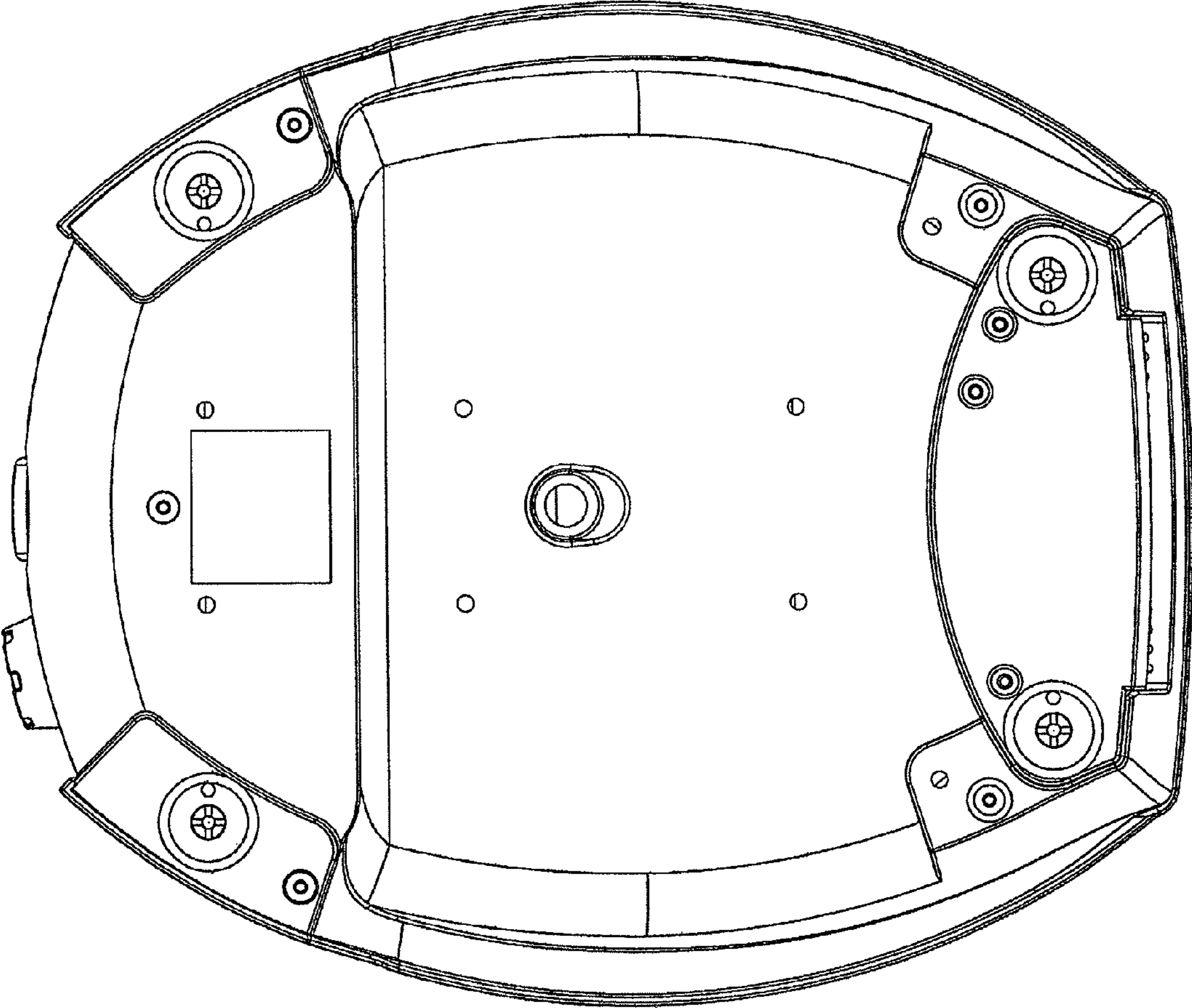


Figure 7