



US00D610865S

(12) **United States Design Patent**  
**Kish**

(10) **Patent No.:** **US D610,865 S**

(45) **Date of Patent:** **\*\* \*Mar. 2, 2010**

(54) **CAKE BAKING APPLIANCE**

(76) **Inventor:** **Janet A. Kish**, 623 Oxford St.,  
Worthington, OH (US) 43085

(\*\*) **Term:** **14 Years**

(21) **Appl. No.:** **29/324,386**

(22) **Filed:** **Sep. 11, 2008**

(51) **LOC (9) Cl.** ..... **07-02**

(52) **U.S. Cl.** ..... **D7/354**

(58) **Field of Classification Search** ..... D7/323,  
D7/354-361, 392.1, 393, 396.1, 400, 412,  
D7/505, 515, 540-549, 550.1, 551.1, 552.1,  
D7/553.1, 553.4-553.8, 555, 584, 602, 698;  
D10/30, 103, 122; 99/324, 339, 422, 426,  
99/446, 448; 220/4.21, 23.2-23.8, 367.1,  
220/376, 573.1-573.4, 574, 601-602, 610,  
220/629, 671-675, 912; 229/128, 400, 404;  
249/66.1, 117, 122-124, 127, 155-156, 160

See application file for complete search history.

(56) **References Cited**

**U.S. PATENT DOCUMENTS**

D32,386 S \* 3/1900 Rutherford ..... D7/354  
D63,613 S \* 12/1923 Clevon ..... D10/122

D69,247 S \* 1/1926 Bassett ..... D10/103  
D69,742 S \* 3/1926 Clevon ..... D10/103  
D69,743 S \* 3/1926 Clevon ..... D10/103  
D69,744 S \* 3/1926 Clevon ..... D10/103  
D501,411 S \* 2/2005 Buccellati ..... D10/30

\* cited by examiner

*Primary Examiner*—Caron Veynar

*Assistant Examiner*—Ricky Pham

(74) *Attorney, Agent, or Firm*—Mueller Smith & Okuley,  
LLC

(57) **CLAIM**

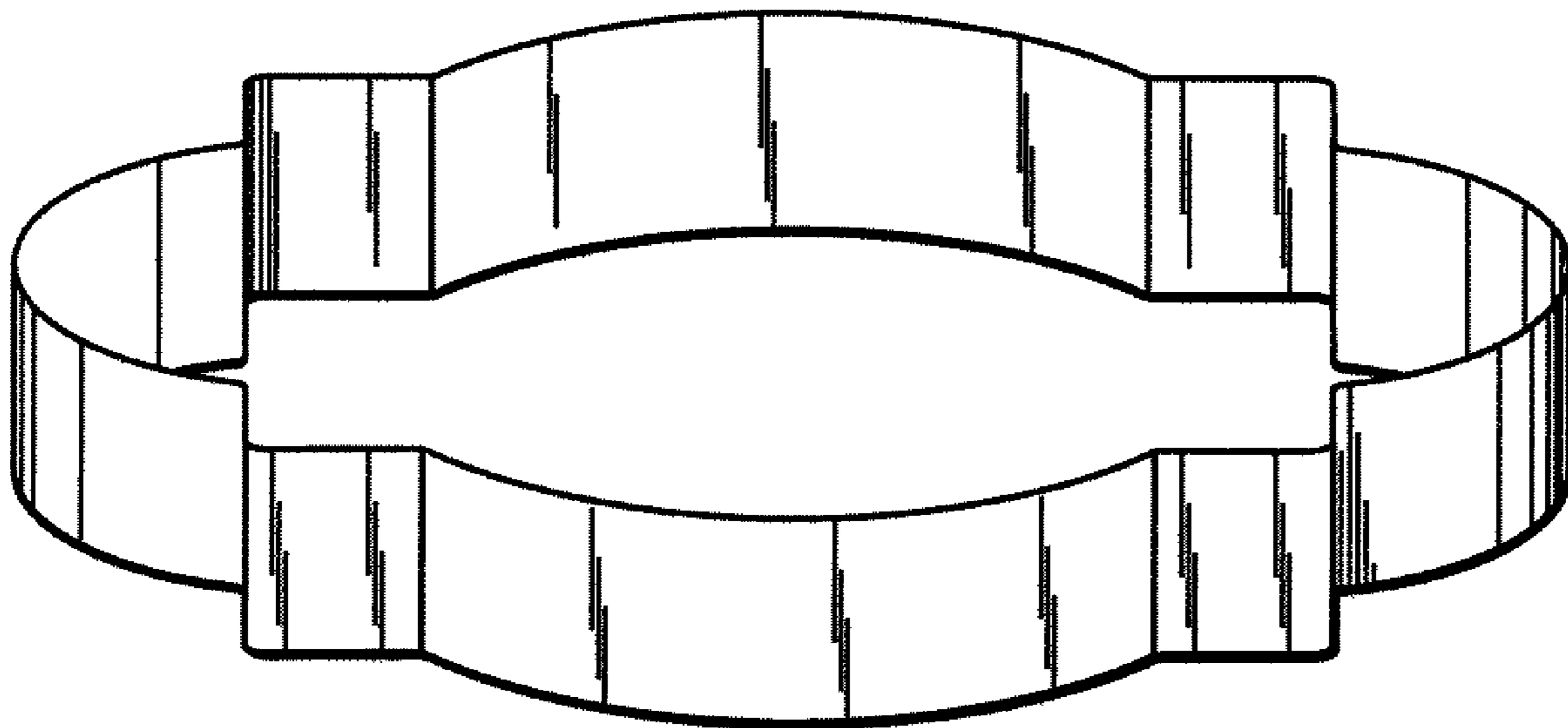
The ornamental design for a cake baking appliance, as shown  
and described.

**DESCRIPTION**

FIG. 1 is a perspective view of a cake baking appliance;  
FIG. 2 is a top view of the cake baking appliance of FIG. 1;  
FIG. 3 is a front view of the cake baking appliance of FIG. 1;  
and,  
FIG. 4 is a right side view of the cake baking appliance of FIG.  
1.

The broken lines shown in the drawings are for illustrative  
purposes only and form no part of the claimed design.

**1 Claim, 1 Drawing Sheet**



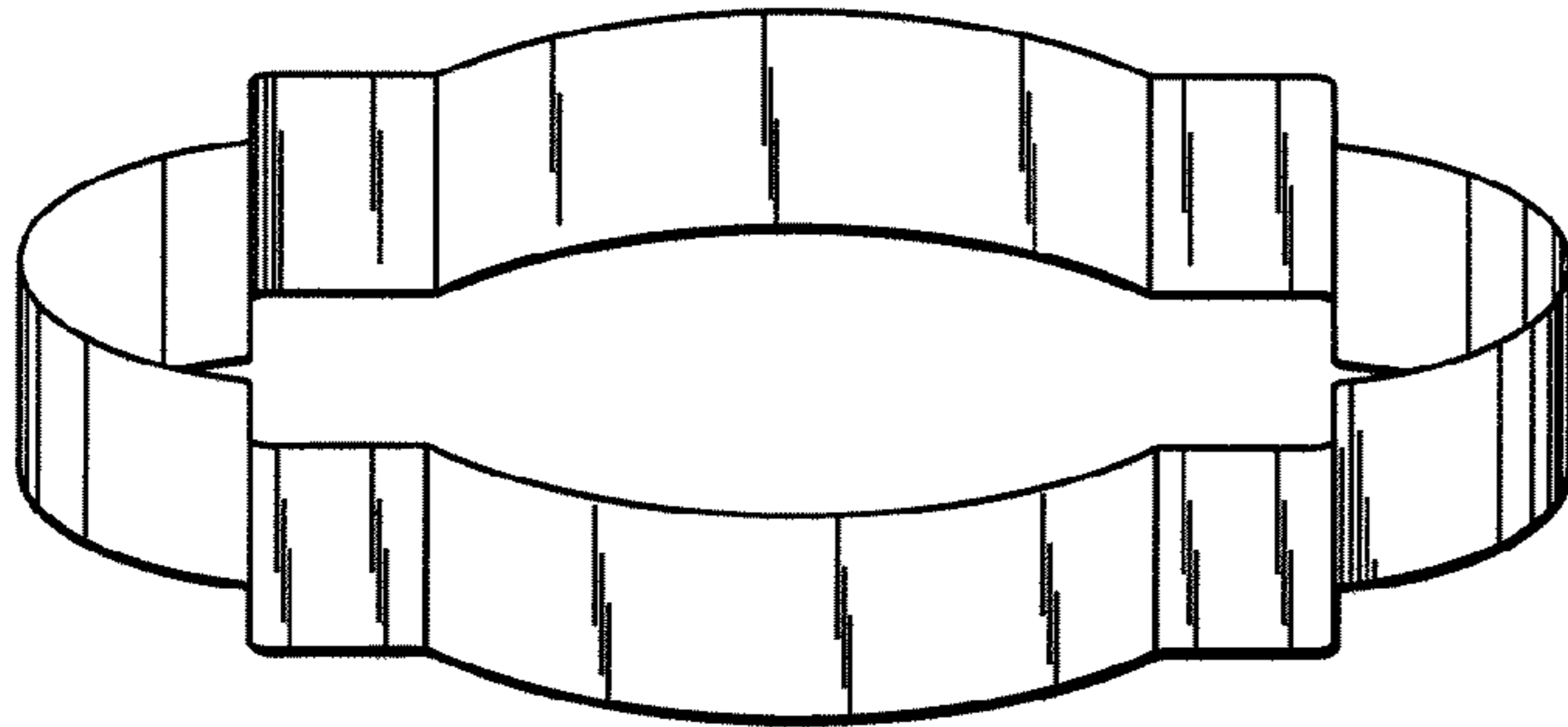


FIG. 1

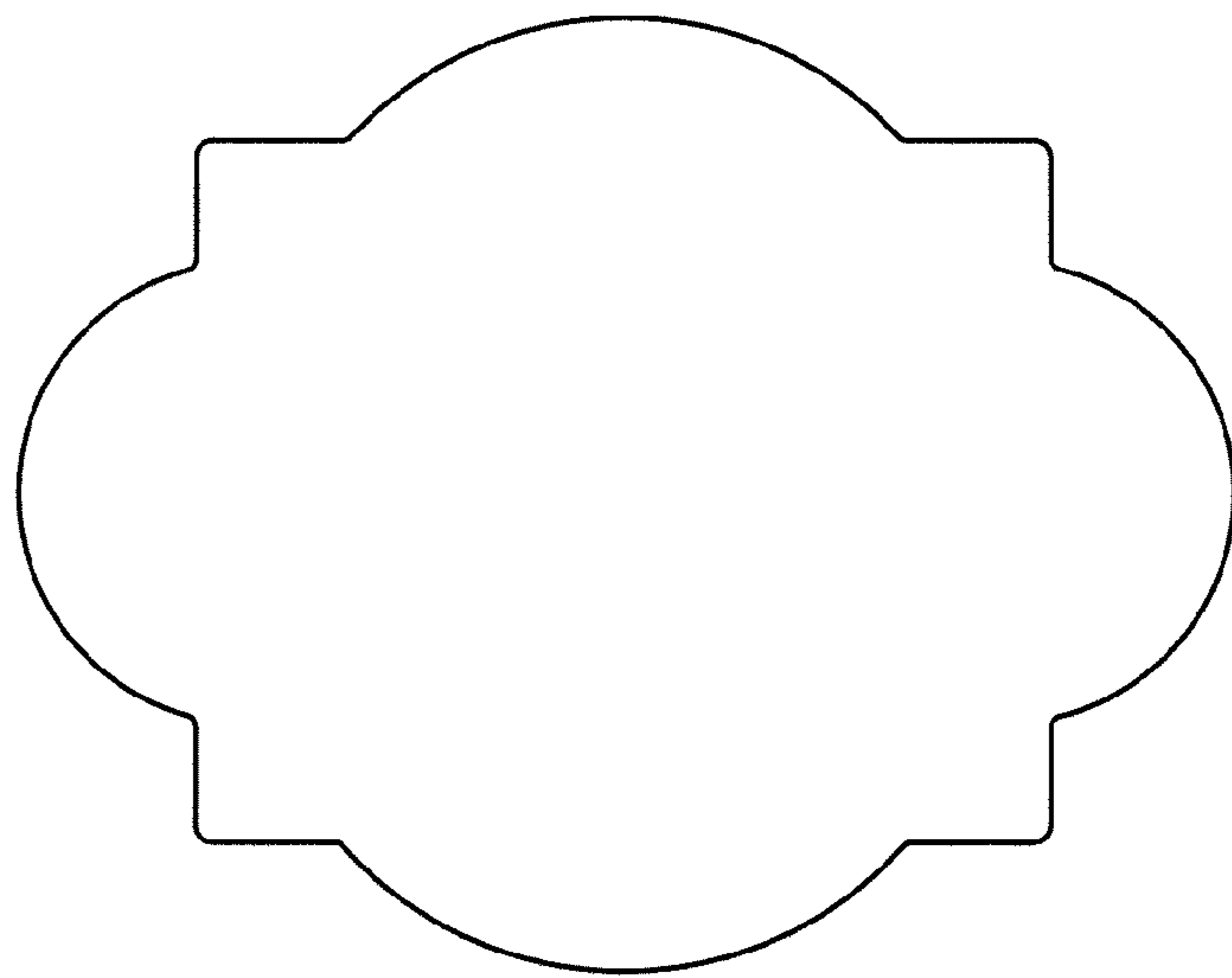


FIG. 2

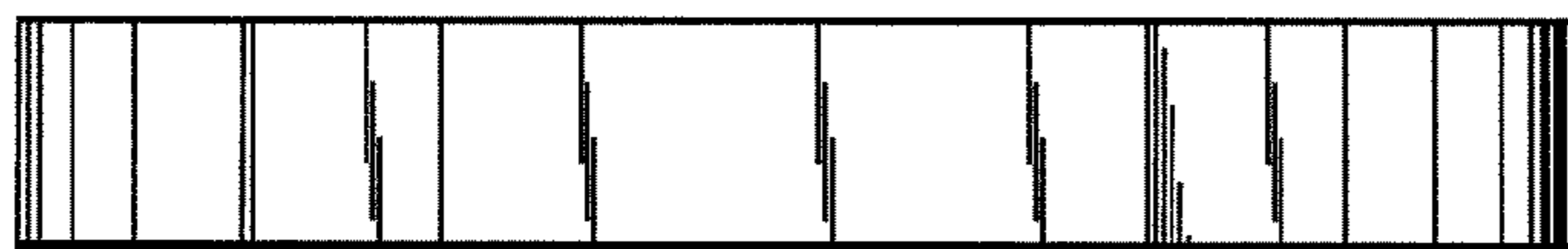


FIG. 3

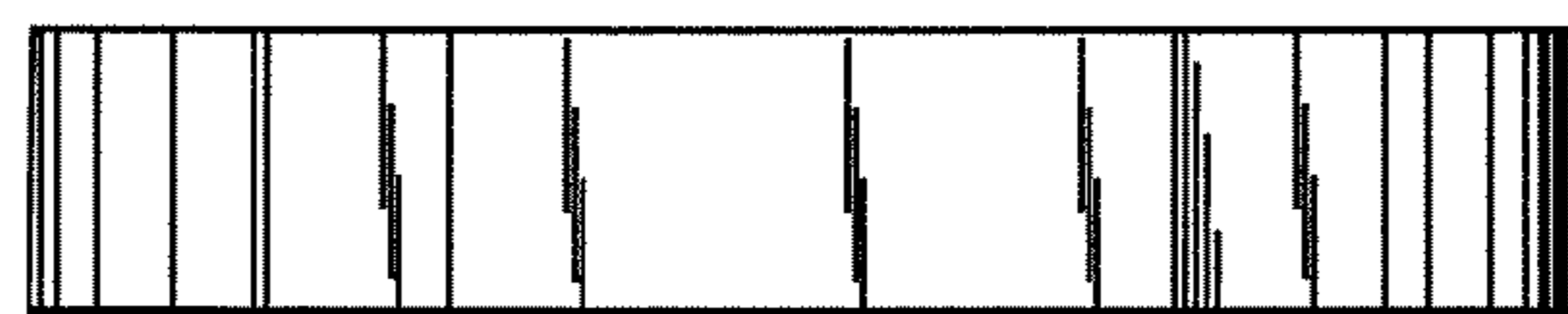


FIG. 4