



US00D610863S

(12) **United States Design Patent**
Kim et al.

(10) **Patent No.:** **US D610,863 S**
(45) **Date of Patent:** **** Mar. 2, 2010**

(54) **GAS OVEN RANGE**

(75) Inventors: **Shu Yeon Kim**, Seoul (KR); **Kyung A. Yi**, Seoul (KR)

(73) Assignee: **LG Electronics Inc.**, Seoul (KR)

(**) Term: **14 Years**

(21) Appl. No.: **29/338,372**

(22) Filed: **Jun. 10, 2009**

(30) **Foreign Application Priority Data**

Dec. 11, 2008 (KR) 30-2008-0053488

(51) **LOC (9) Cl.** **07-02**

(52) **U.S. Cl.** **D7/340**

(58) **Field of Classification Search** D7/339-340,
D7/346-349, 402, 407-408; 126/273 A,
126/19 R, 39 C, 211, 273 R, 273 S, 275 R,
126/257 E; 219/552, 458, 460, 464, 538;
99/402-403, 385

See application file for complete search history.

(56) **References Cited**

U.S. PATENT DOCUMENTS

D530,972 S * 10/2006 Park D7/340

D557,069 S * 12/2007 Shin et al. D7/408
D560,955 S * 2/2008 Shin et al. D7/340
D564,281 S * 3/2008 Kim D7/340
D564,282 S * 3/2008 Suh et al. D7/340
D578,823 S * 10/2008 Kim D7/340

* cited by examiner

Primary Examiner—Catherine R Oliver

(74) *Attorney, Agent, or Firm*—Birch, Stewart, Kolasch & Birch, LLP

(57) **CLAIM**

The ornamental design for a gas oven range, as shown and described.

DESCRIPTION

FIG. 1 is a top, front, perspective view of a gas oven range showing our new design;

FIG. 2 is a front view thereof;

FIG. 3 is a rear view thereof;

FIG. 4 is a left side view thereof;

FIG. 5 is a right side view thereof;

FIG. 6 is a top plan view thereof; and,

FIG. 7 is a bottom plan view thereof.

1 Claim, 7 Drawing Sheets

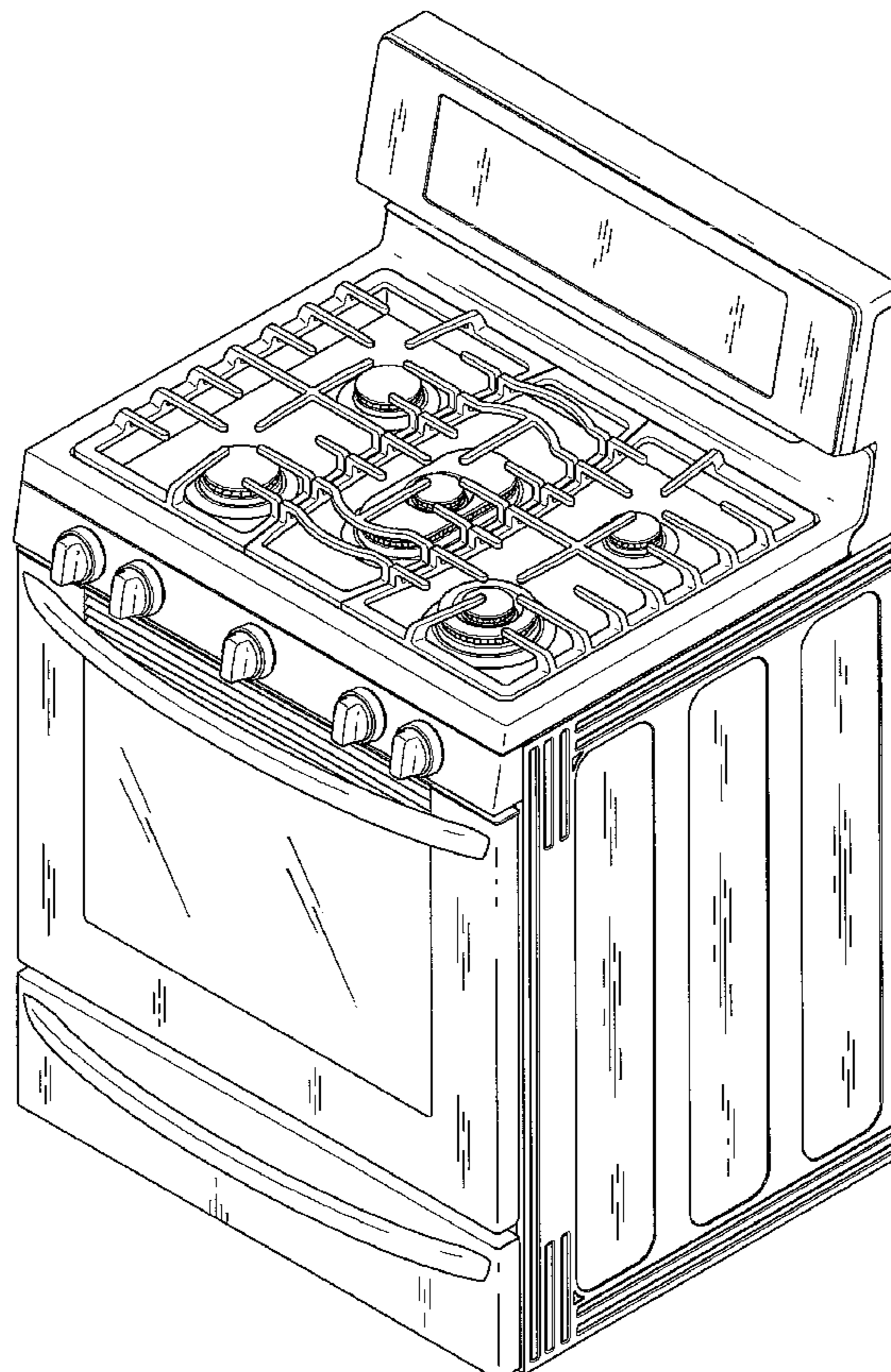


FIG. 1

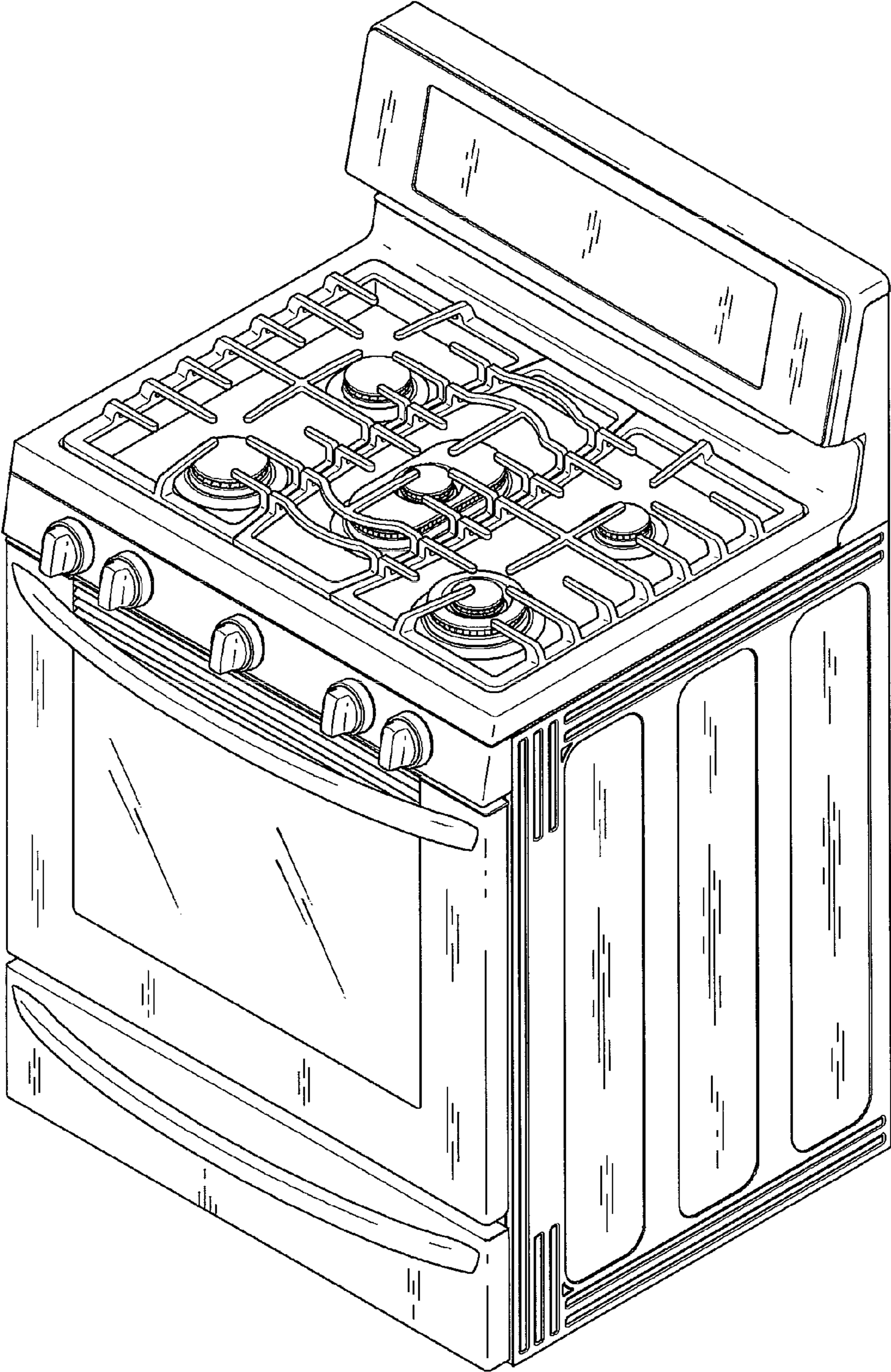


FIG. 2

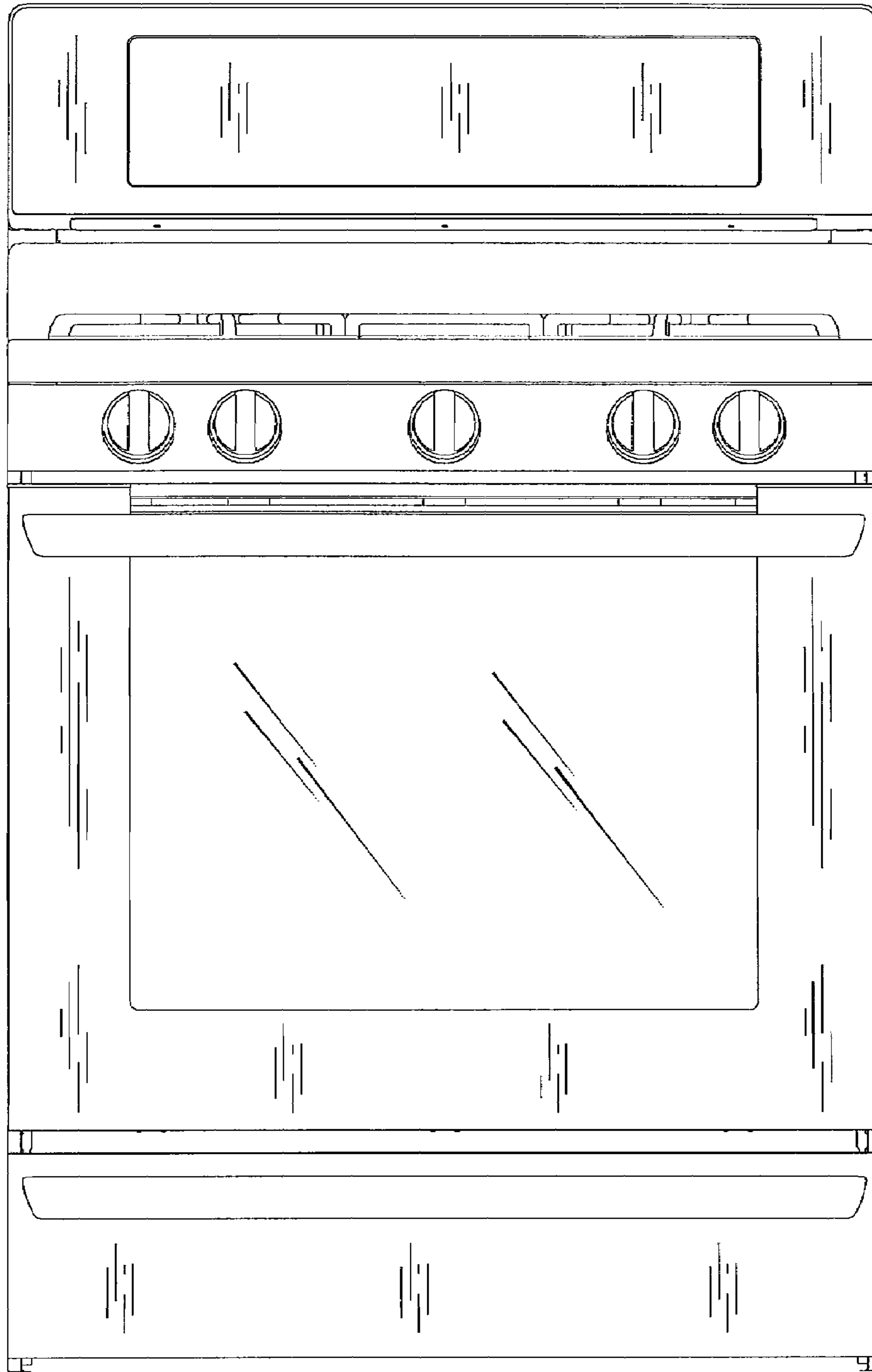


FIG. 3

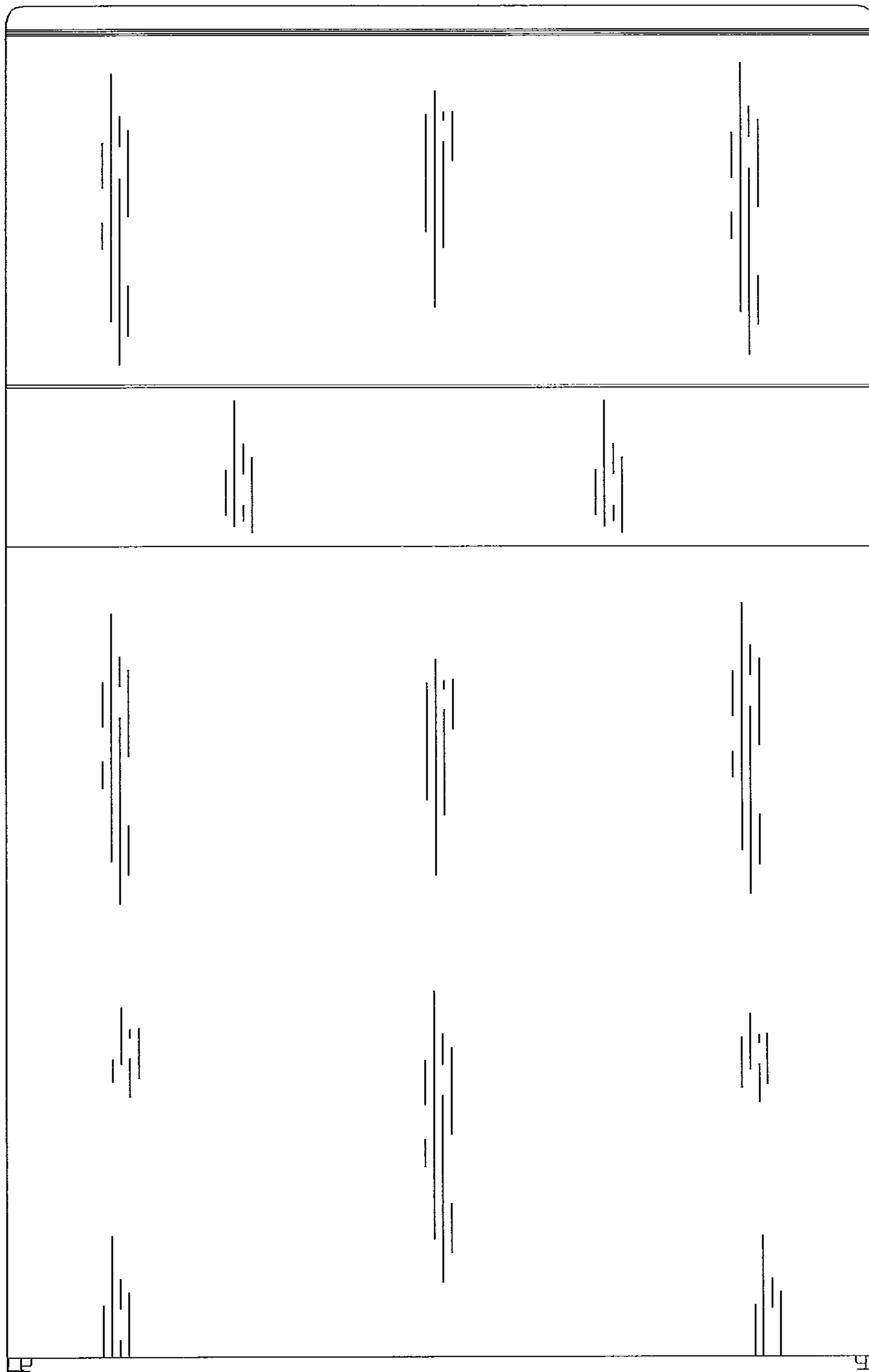


FIG. 4

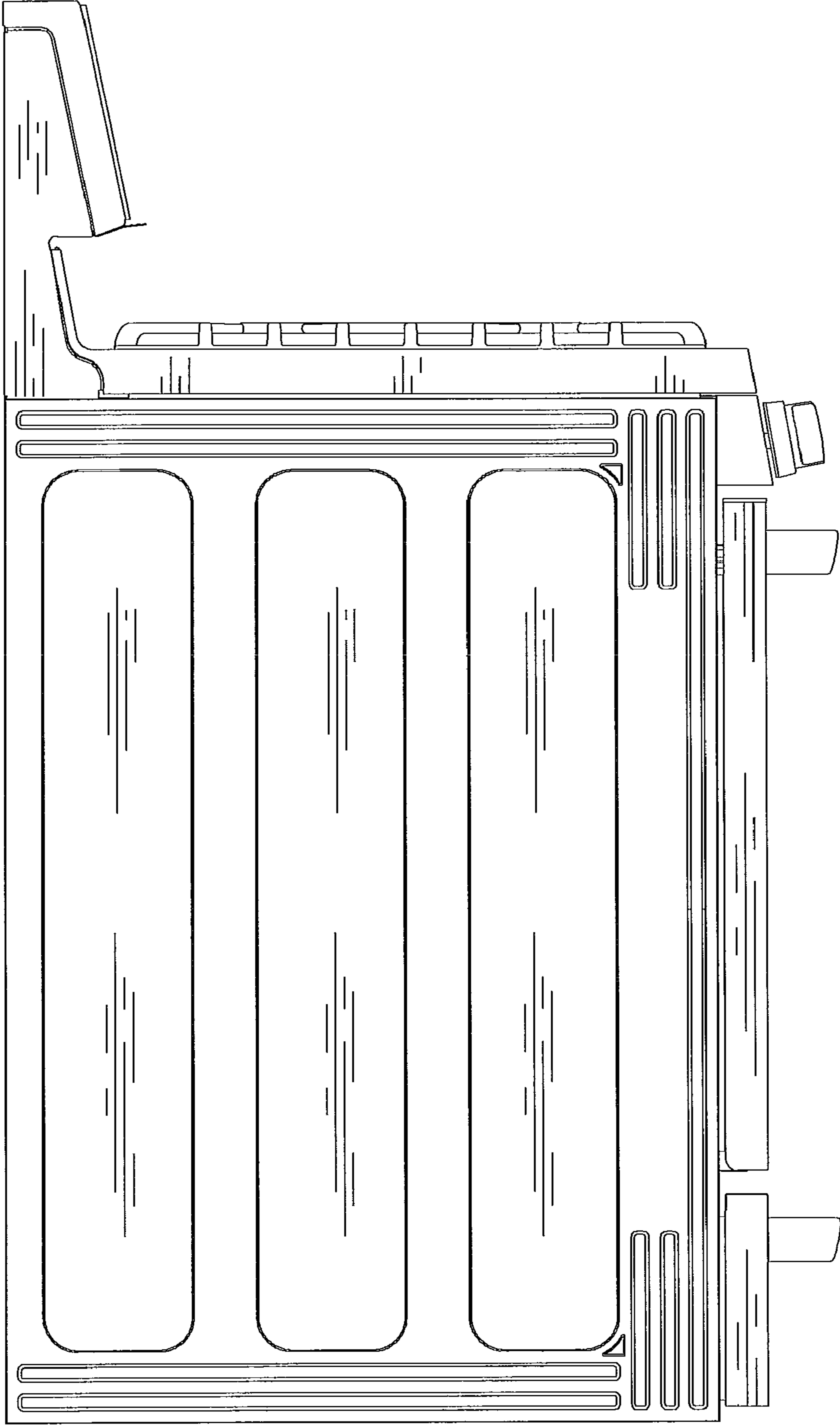


FIG. 5

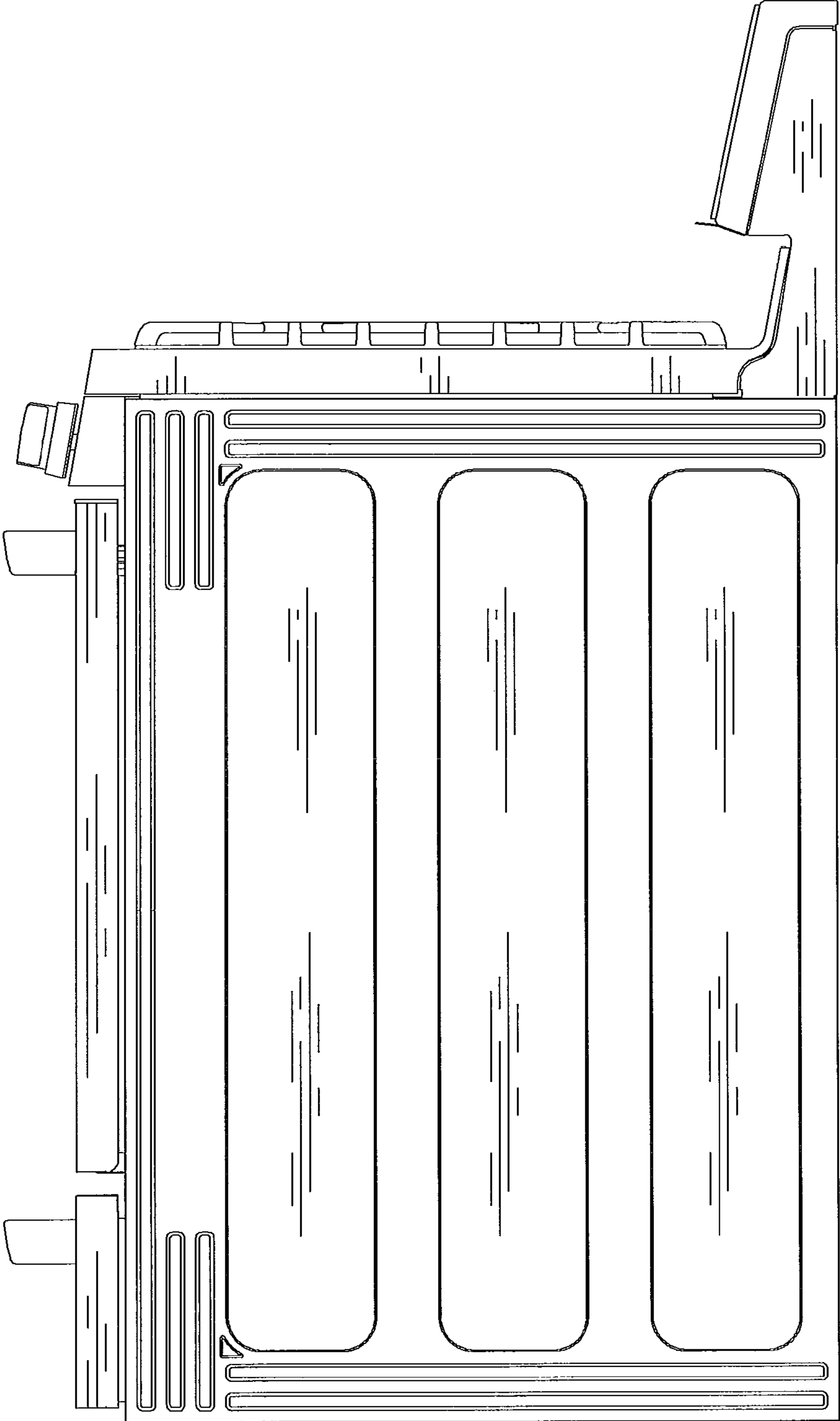


FIG. 6

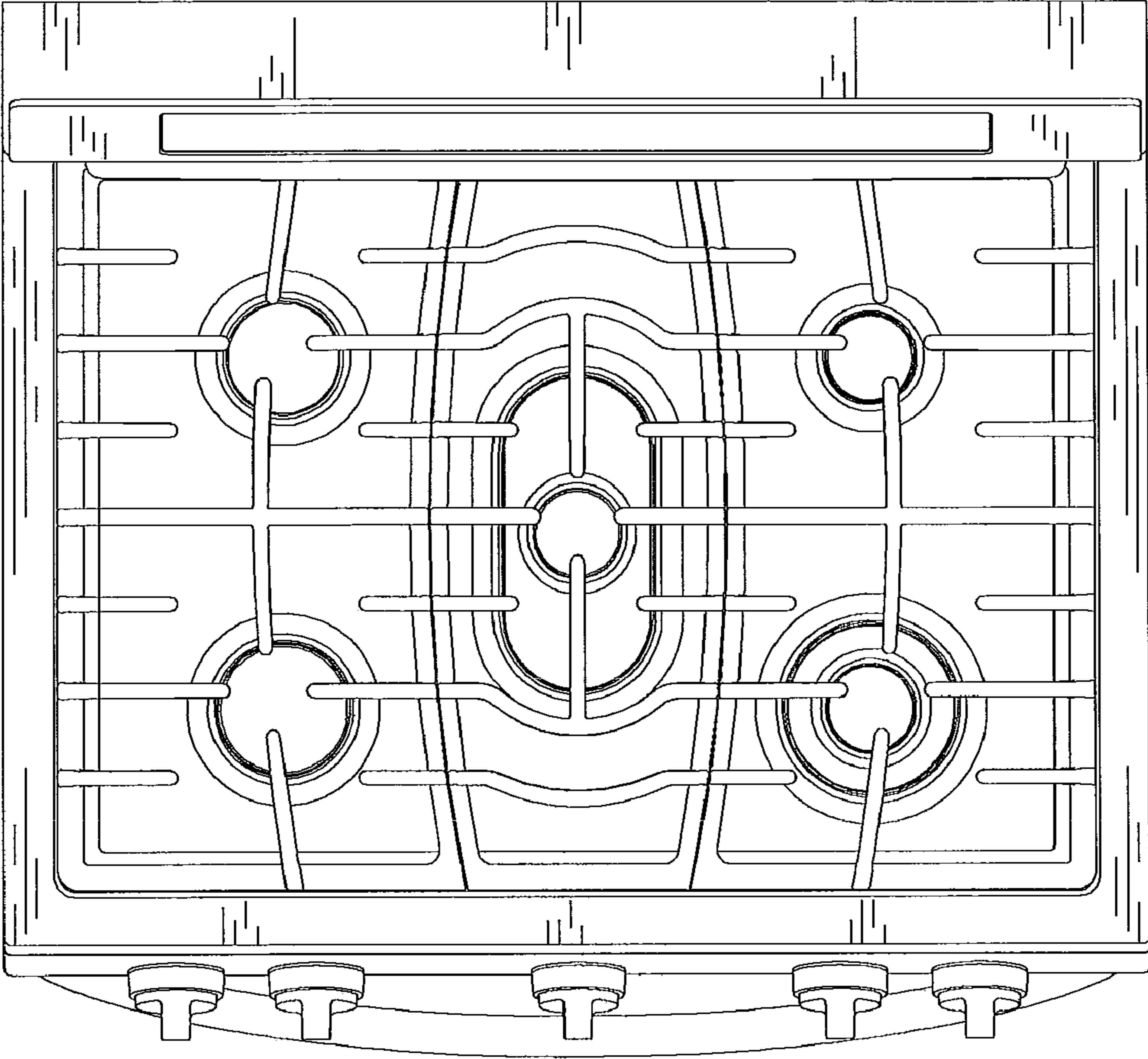


FIG. 7

